



US00D953928S

(12) **United States Design Patent**
Huang

(10) **Patent No.:** **US D953,928 S**

(45) **Date of Patent:** **** Jun. 7, 2022**

- (54) **SKATEBOARD BACKPACK**
- (71) Applicant: **SHENZHEN SELECT FUTURE TRADING LIMITED**, Shenzhen (CN)
- (72) Inventor: **Zhiyong Huang**, Shenzhen (CN)
- (73) Assignee: **SHENZHEN SELECT FUTURE TRADING LIMITED**, Shenzhen (CN)

D873,558	S *	1/2020	Jamieson	D3/217
D874,817	S *	2/2020	Margossian	D3/217
D882,943	S *	5/2020	Zhuang	D3/217
2003/0127483	A1 *	7/2003	Black	A45F 3/10 224/628
2004/0238585	A1 *	12/2004	Scarano	A63C 11/023 224/613
2017/0251779	A1 *	9/2017	Lai	A45C 1/06
2017/0251791	A1 *	9/2017	Ball	A45F 3/00
2019/0090616	A1 *	3/2019	Price	B32B 9/047

(**) Term: **15 Years**

(21) Appl. No.: **29/725,207**

(22) Filed: **Feb. 24, 2020**

(51) **LOC (13) Cl.** **03-01**

(52) **U.S. Cl.**
USPC **D12/3**

(58) **Field of Classification Search**
USPC D3/216, 217, 233, 276, 282, 288, 289,
D3/290, 313, 904, 261
CPC A45C 3/00; A45C 5/00; A45C 2003/007;
A45C 2003/008; A45C 5/03; A45C 5/04;
A45C 7/0036; A45C 2009/007; A45C
11/16; A45C 7/00; A45C 7/0059

See application file for complete search history.

(56) **References Cited**

U.S. PATENT DOCUMENTS

D524,539	S *	7/2006	Metzger	D3/261
D607,640	S *	1/2010	Emile	D3/261
D614,864	S *	5/2010	Clayton	D3/261
D639,553	S *	6/2011	Reilly	D3/261
D641,973	S *	7/2011	Quehl	D3/217
D708,845	S *	7/2014	Taylor	D3/217
D720,531	S *	1/2015	Judson	D3/261
9,415,294	B2 *	8/2016	Pino	A45F 3/04
D777,425	S *	1/2017	Shin	D3/233
D783,272	S *	4/2017	Burton	D3/217
D812,898	S *	3/2018	Lai	D3/261

OTHER PUBLICATIONS

Dakine Mission Pro 18L Backpack Dakine., posted date Sep. 26, 2018 [online], [retrieved on Apr. 6, 2022], Retrieved from the Internet <URL: <https://www.evo.com/ski-snowboard-backpacks/dakine-mission-pro-18l-backpack>> (Year: 2018).*

(Continued)

Primary Examiner — Darlington Ly

Assistant Examiner — Nasim Abdulaziz Ali

(57) **CLAIM**

The ornamental design for a skateboard backpack, as shown and described.

DESCRIPTION

FIG. 1 is a perspective view of a skateboard backpack showing my new design;

FIG. 2 is another perspective view thereof;

FIG. 3 is a front elevational view thereof;

FIG. 4 is a rear elevational view thereof;

FIG. 5 is a left side elevational view thereof;

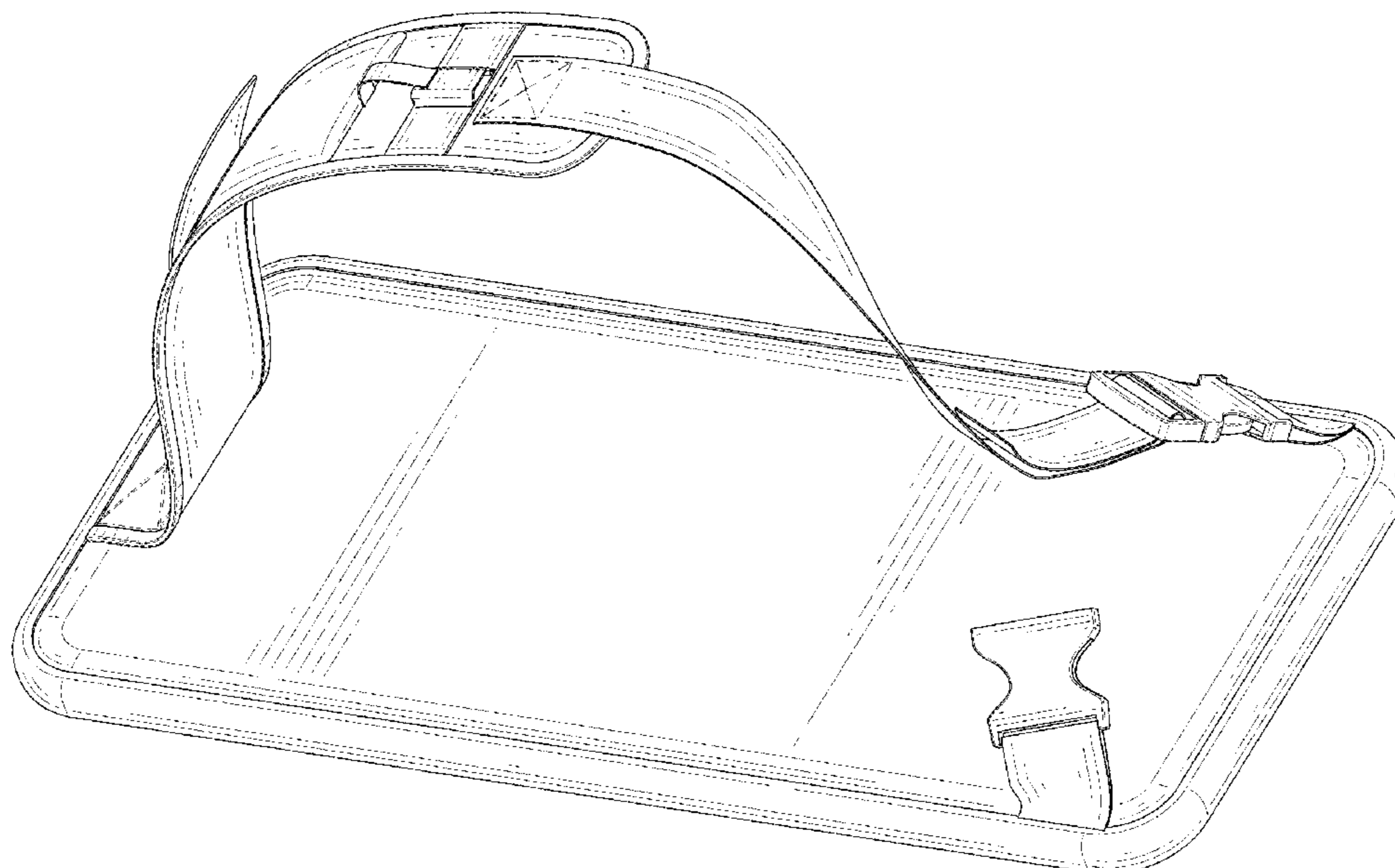
FIG. 6 is a right side elevational view thereof;

FIG. 7 is a top plan view thereof; and,

FIG. 8 is a bottom plan view thereof.

The broken lines in the drawings depict portions of the skateboard backpack that form no part of the claimed design.

1 Claim, 8 Drawing Sheets



(56)

References Cited

OTHER PUBLICATIONS

Skateboard Backpack Longboard Carry Bag Auskong., posted date Sep. 12, 2021 [online], [retrieved on Apr. 6, 2022], Retrieved from the Internet <URL: <https://www.amazon.com/Skateboard-Backpack-Longboard-Leisure-Skateboarding/dp/B09G1QLD4G>> (Year: 2021).*

GoRide Sling Single Strap Electric Longboard GoRide., posted date Aug. 13, 2003 [online], [retrieved on Apr. 6, 2022], Retrieved from the Internet <URL: <https://www.ubuy.hu/en/product/1GF39VLFQ-goride-sling-single-strap-electric-longboard-skateboard-backpack-bag-carrier-with-laptop-holder-black>> (Year: 2003).*

* cited by examiner

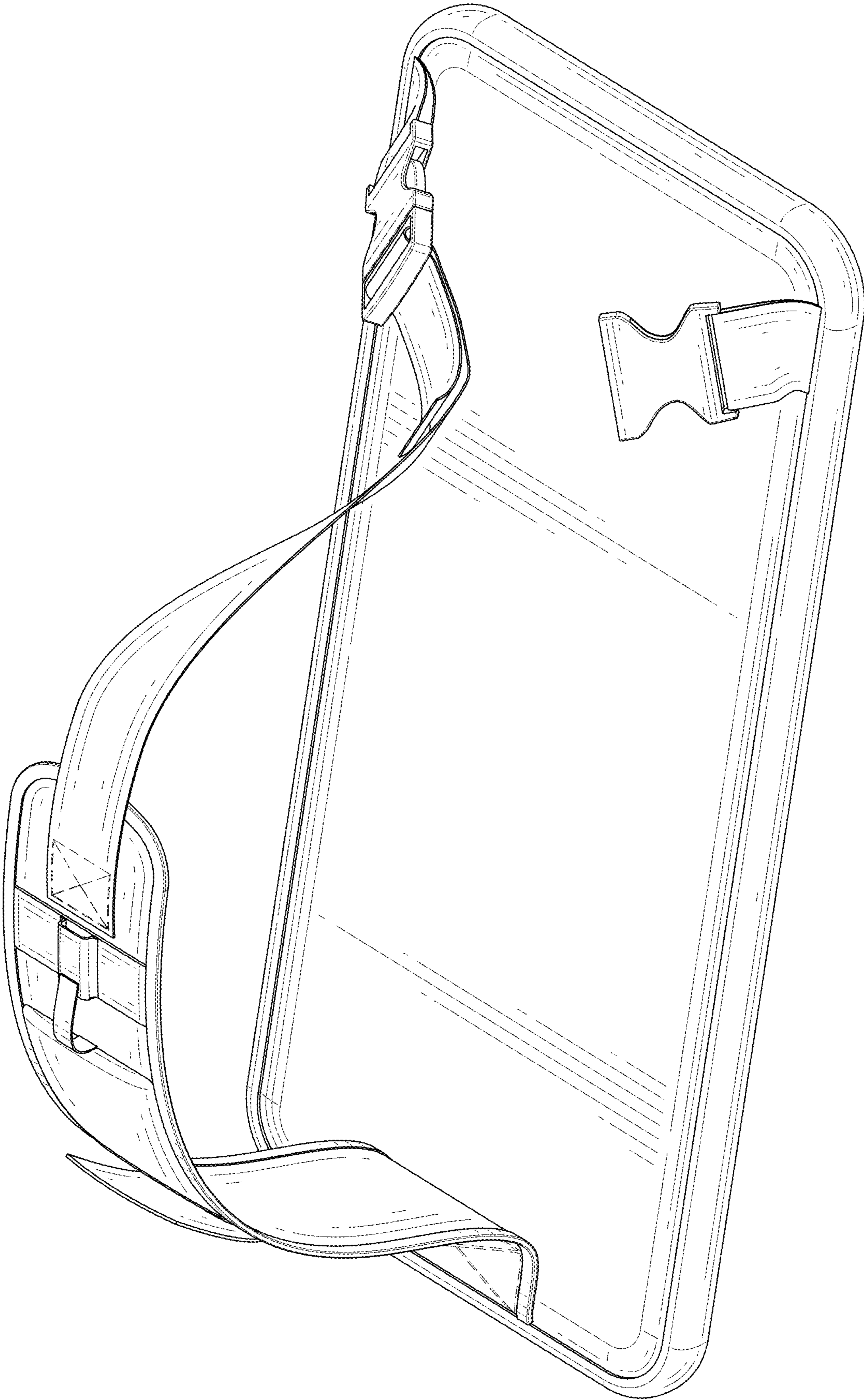


FIG. 1

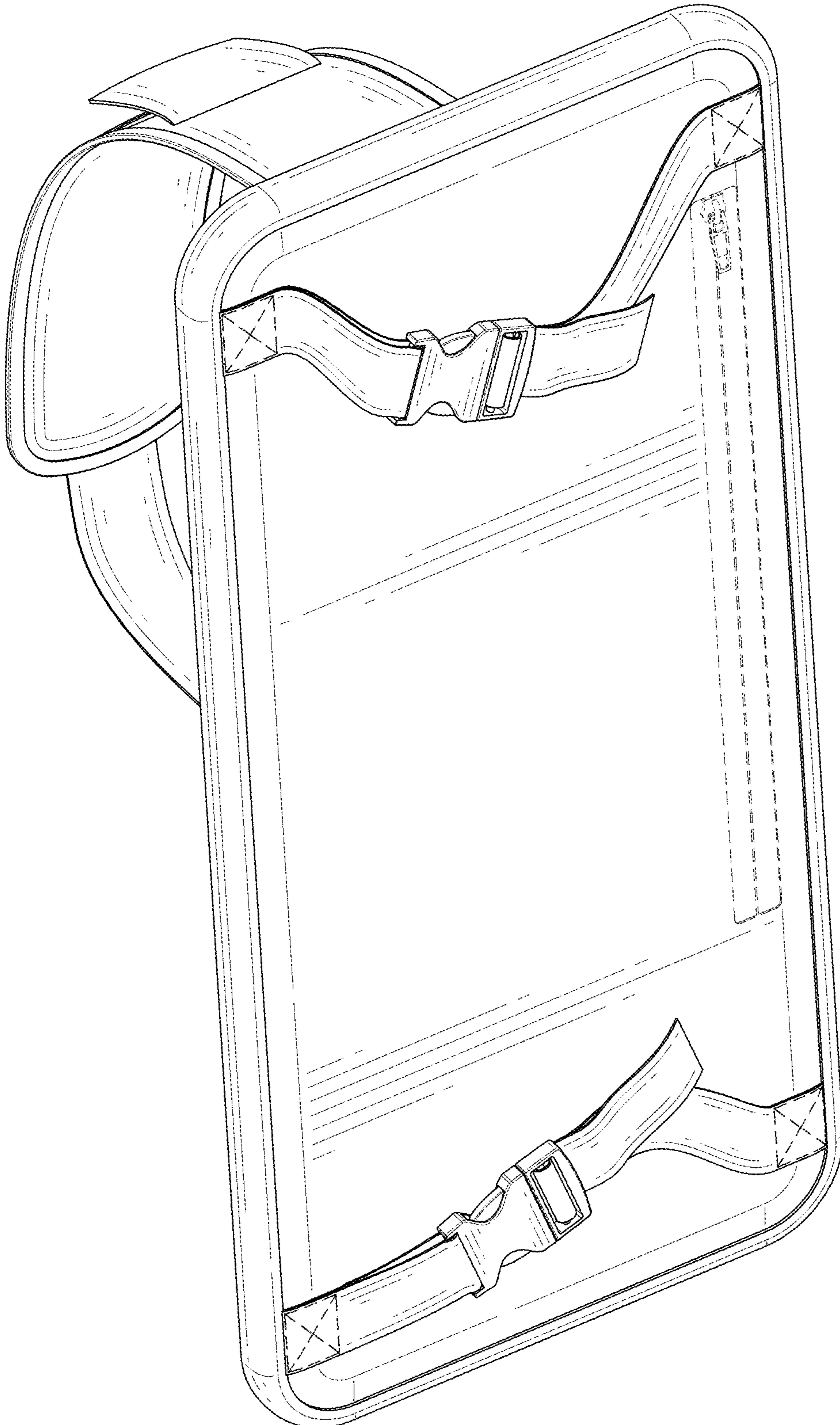


FIG. 2

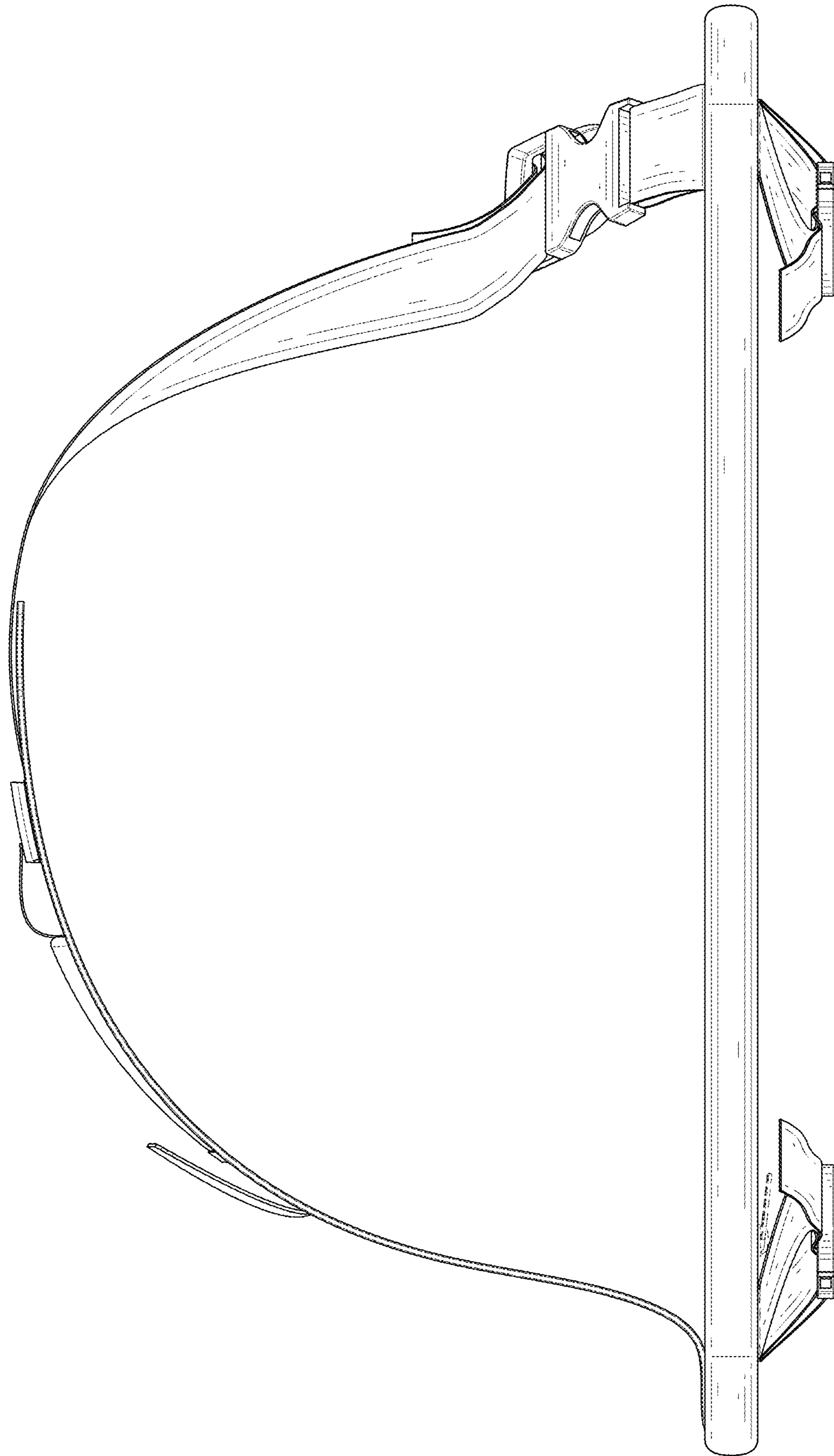


FIG. 3

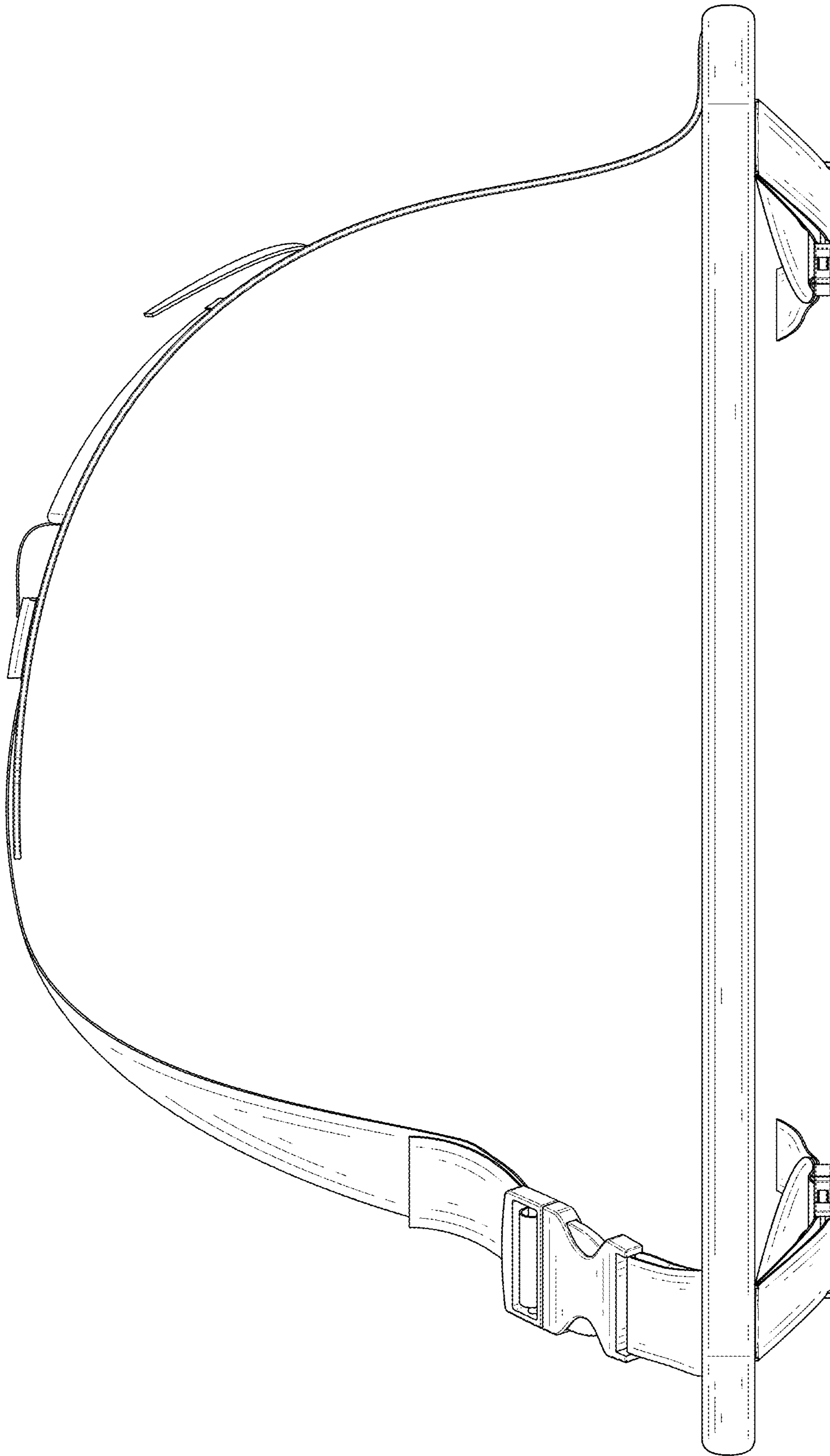


FIG. 4

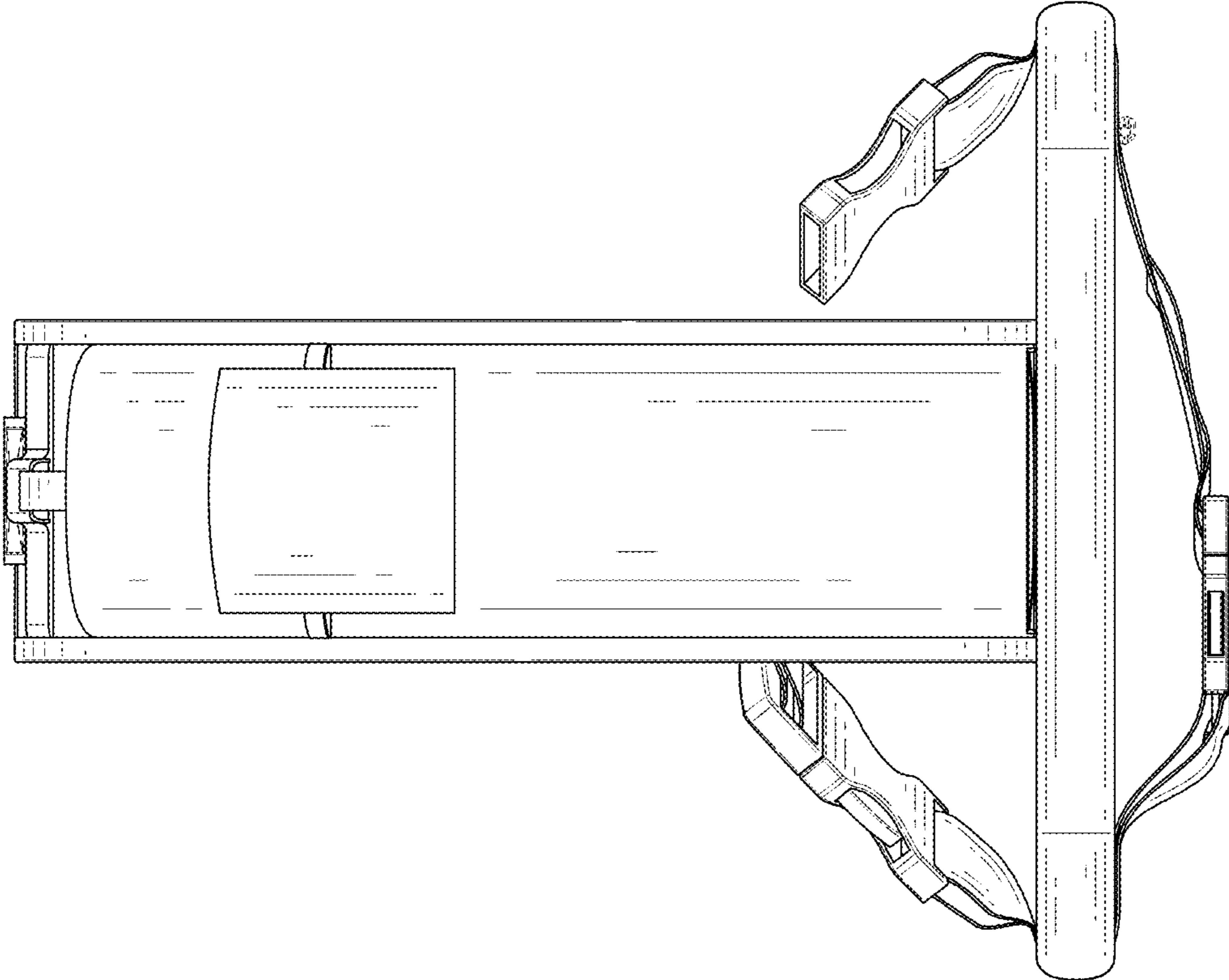


FIG. 5

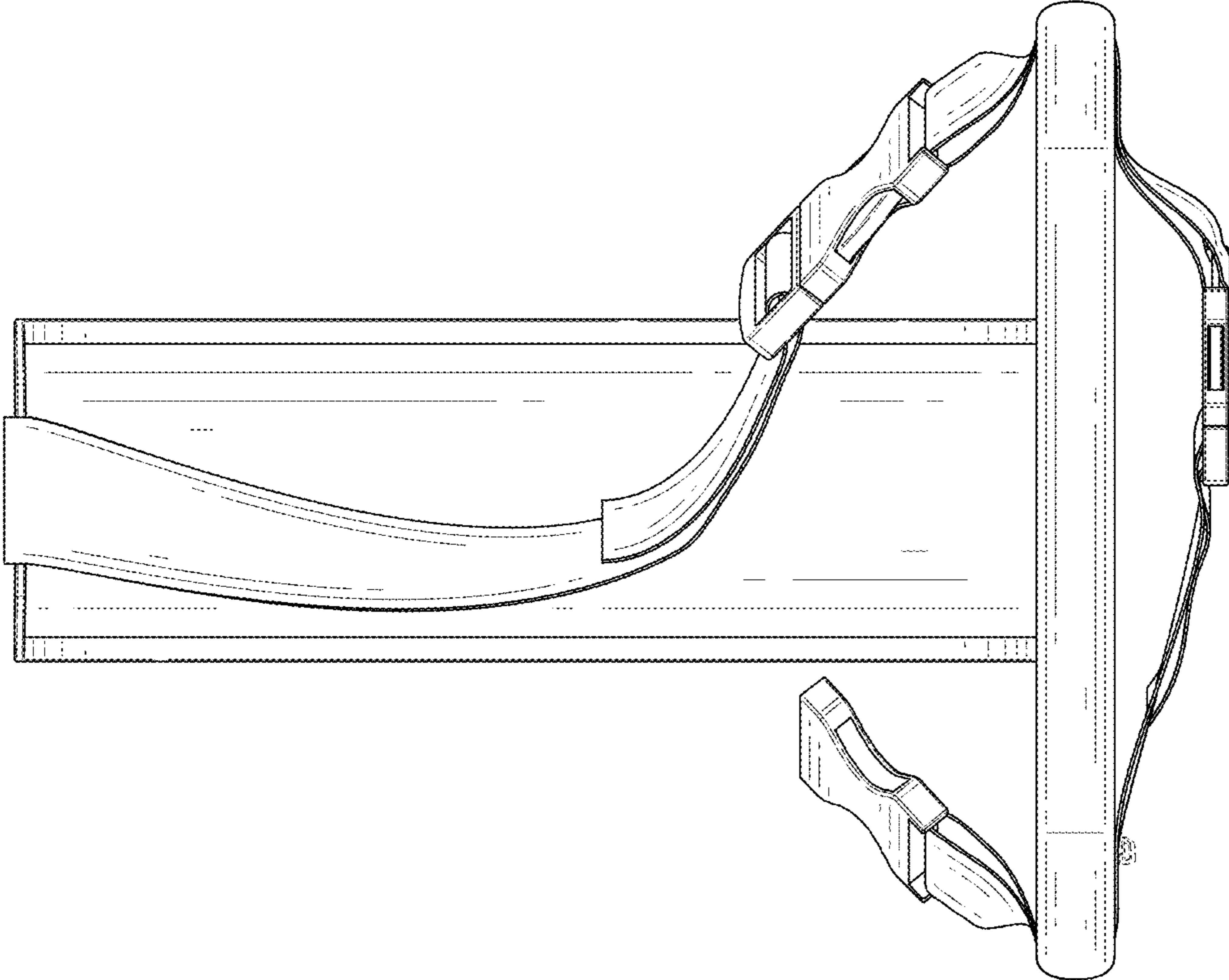


FIG. 6

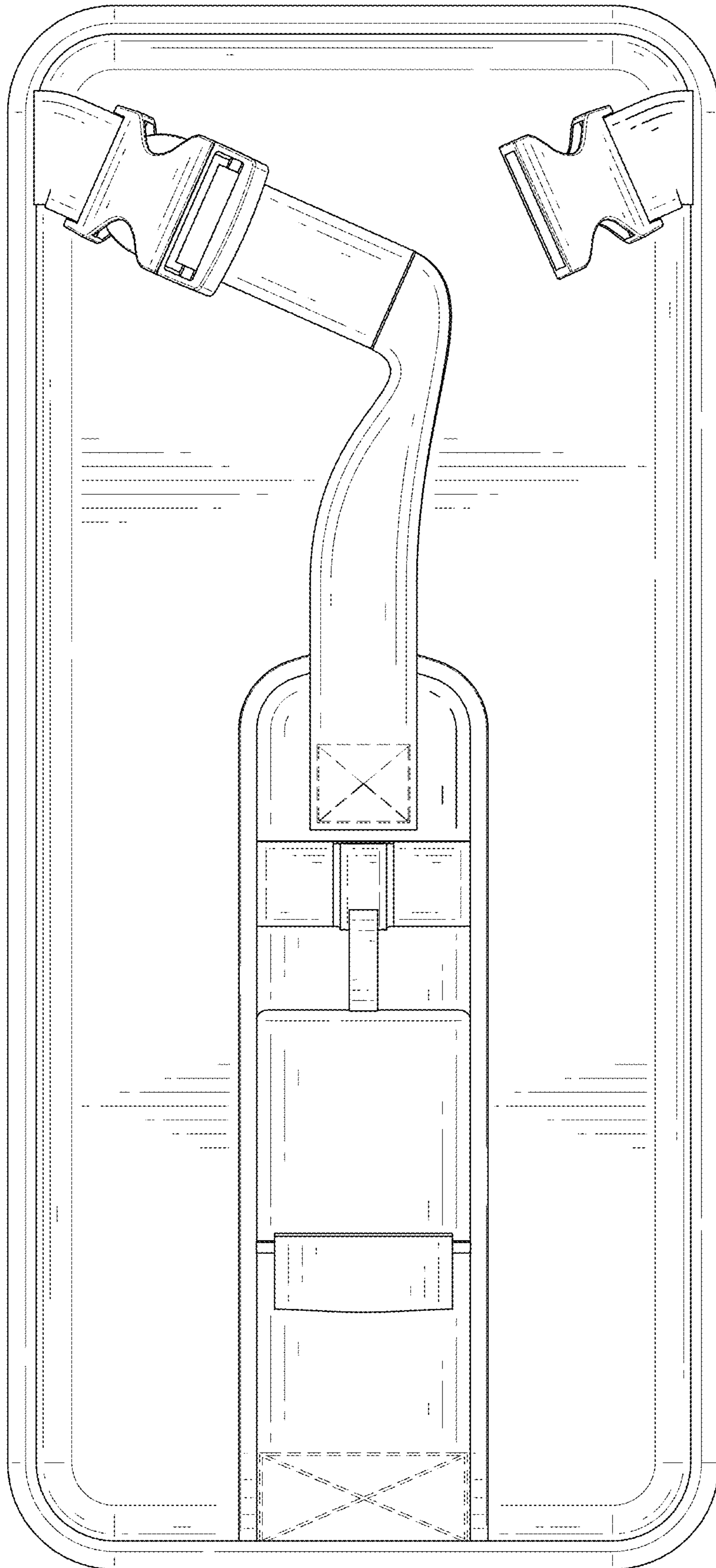


FIG. 7

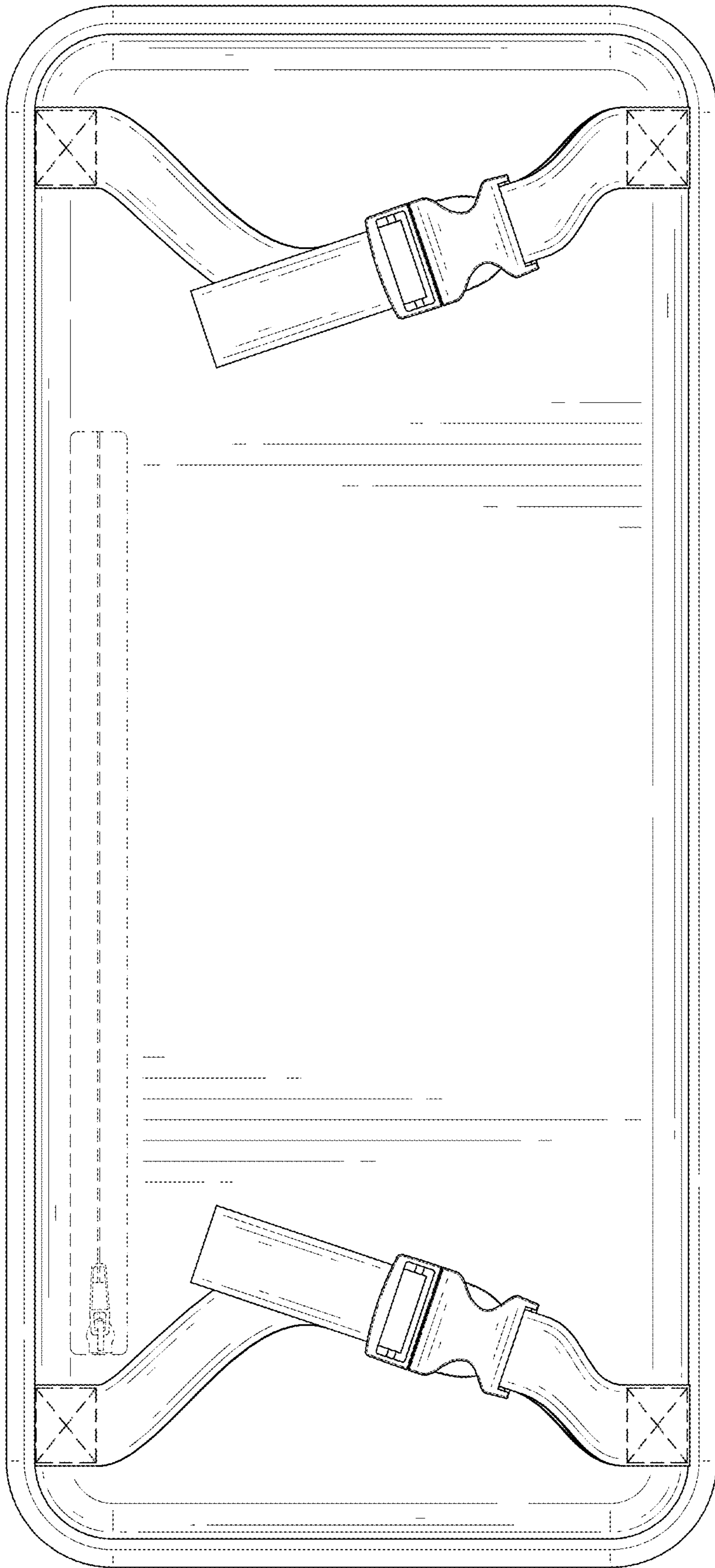


FIG. 8