



US00D953922S

(12) **United States Design Patent**  
**Yamada**

(10) **Patent No.:** **US D953,922 S**

(45) **Date of Patent:** **\*\* Jun. 7, 2022**

(54) **FINGER RING**

(71) Applicant: **TASAKI & Co., Ltd.**, Kobe (JP)

(72) Inventor: **Yoshikazu Yamada**, Tokyo (JP)

(73) Assignee: **TASAKI & Co., Ltd.**, Kobe (JP)

(\*\*) Term: **15 Years**

(21) Appl. No.: **29/824,039**

(22) Filed: **Jan. 21, 2022**

**Related U.S. Application Data**

(62) Division of application No. 35/510,583, filed on Apr. 16, 2020 (U.S. filing date under 35 U.S.C. 384), and having an international filing date of Apr. 16, 2020.

(51) **LOC (13) Cl.** ..... **11-01**

(52) **U.S. Cl.**  
USPC ..... **D11/34**

(58) **Field of Classification Search**

USPC ..... D11/1, 7, 40, 26-39, 91, 92  
CPC ..... A44C 9/00; A44C 9/0007; A44C 9/0014;  
A44C 9/0023; A44C 9/003; A44C  
9/0038; A44C 9/0046; A44C 9/0053;  
A44C 9/0061; A44C 9/0069; A44C  
9/0076; A44C 9/0084; A44C 9/0092;  
A44C 9/02; A44C 17/0258; A44C  
17/0266; A44C 17/0275; A44C 17/0283;  
A44C 17/02; A44C 17/0208; A44C  
17/0216; A44C 17/0225; A44C 17/0233;  
A44C 17/0241; A44C 17/025; A44C  
17/0288; A44C 17/0291; A44C 1/00;  
A44C 15/00; A44C 15/003

See application file for complete search history.

(56) **References Cited**

**U.S. PATENT DOCUMENTS**

D92,060 S \* 4/1934 Baer ..... D3/207  
D199,014 S \* 8/1964 Berman ..... D27/138  
D228,758 S \* 10/1973 Petrosky ..... 463/47.4

D457,459 S \* 5/2002 Keller ..... D11/27  
D466,431 S \* 12/2002 Mogenet ..... D11/34  
D807,223 S \* 1/2018 Noguchi ..... D11/79  
D843,874 S \* 3/2019 Yamada ..... D11/26  
D878,954 S \* 3/2020 Gurung ..... D11/26  
D882,448 S \* 4/2020 Gurung ..... D11/26  
D913,143 S \* 3/2021 Yamada ..... D11/26  
D913,144 S \* 3/2021 Yamada  
D929,888 S \* 9/2021 Morin ..... D11/26

(Continued)

**OTHER PUBLICATIONS**

[Online] "Balance Decade Ring" [https://www.tasaki-global.com/jewellery/collectionline/balance/balance\\_decade/RD-F2780-18KWG/?jewellery=ring](https://www.tasaki-global.com/jewellery/collectionline/balance/balance_decade/RD-F2780-18KWG/?jewellery=ring). Retrieved Feb. 9, 2022.\*

(Continued)

*Primary Examiner* — Melanie Pellegrini

(74) *Attorney, Agent, or Firm* — Rankin, Hill & Clark  
LLP

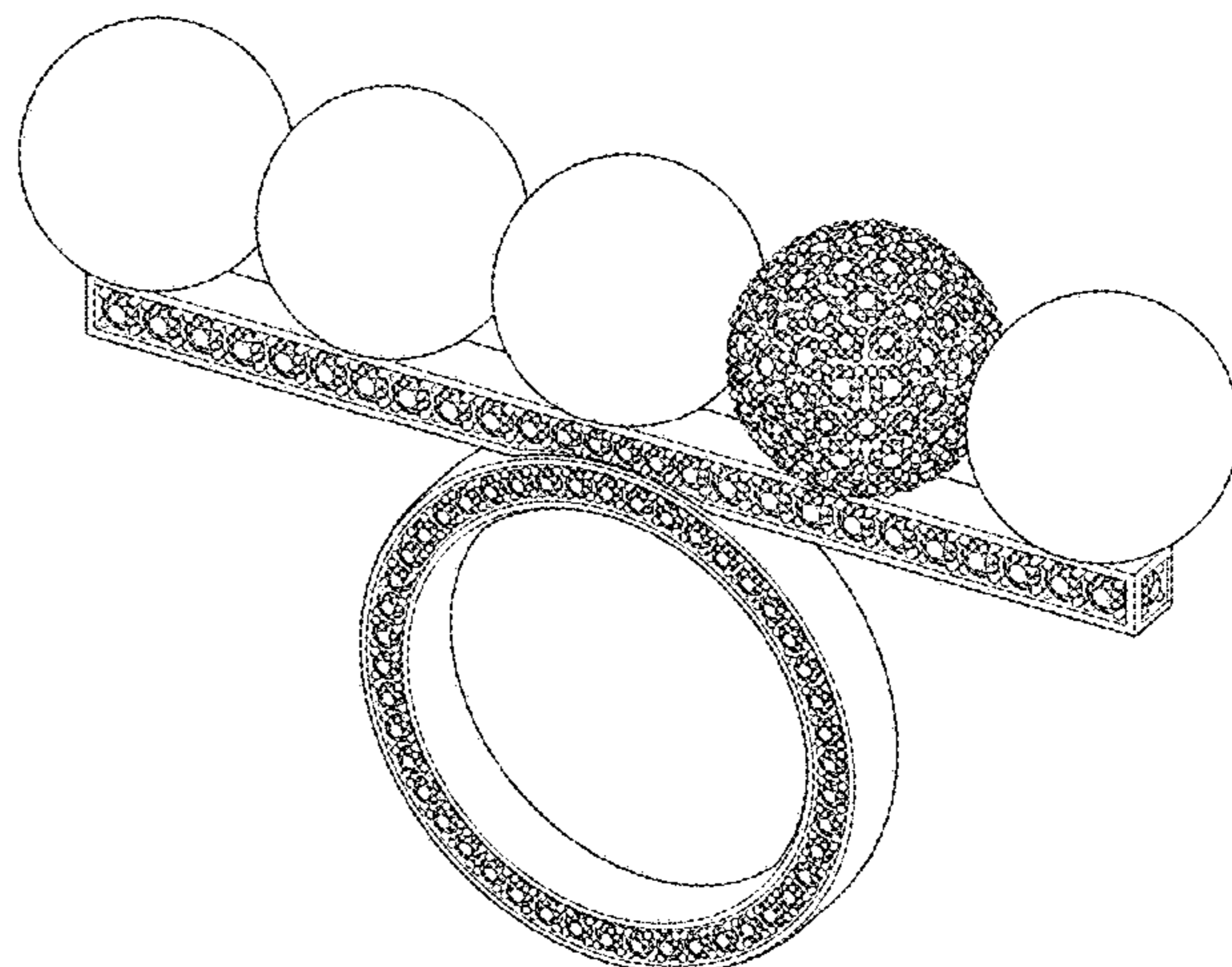
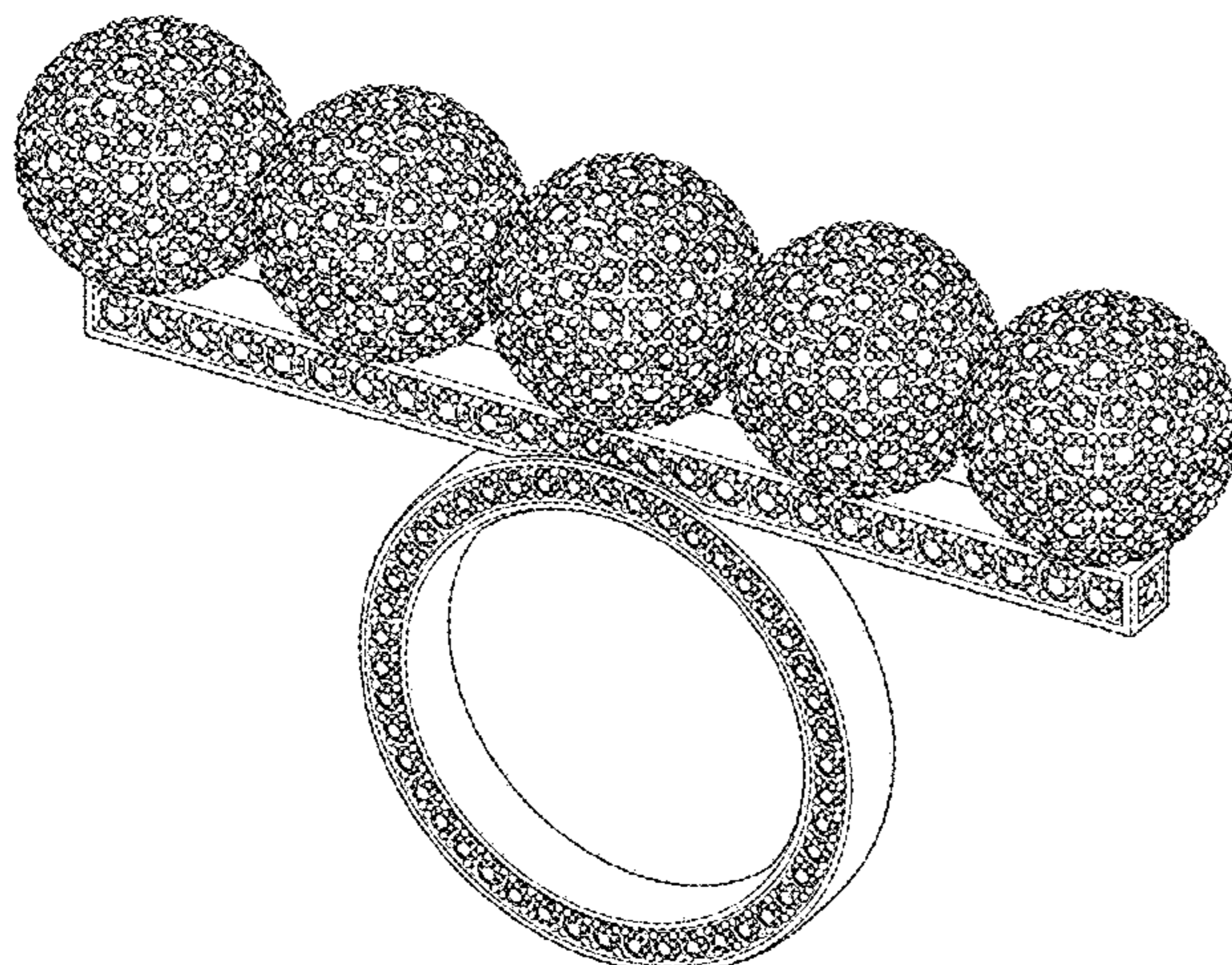
(57) **CLAIM**

The ornamental design for a finger ring, as shown and described.

**DESCRIPTION**

FIG. 1: Perspective  
FIG. 2: Front  
FIG. 3: Back  
FIG. 4: Top  
FIG. 5: Bottom  
FIG. 6: Right  
FIG. 7: Left  
FIG. 8: Perspective  
FIG. 9: Front  
FIG. 10: Back  
FIG. 11: Top  
FIG. 12: Bottom  
FIG. 13: Right; and,  
FIG. 14: Left.

**1 Claim, 14 Drawing Sheets**



(56)

**References Cited**

U.S. PATENT DOCUMENTS

D931,753 S \* 9/2021 Yamada ..... D11/26  
D932,335 S \* 10/2021 Yamada ..... D11/26  
D934,103 S \* 10/2021 Yamada ..... D11/26  
D937,703 S \* 12/2021 Morin ..... D11/26

OTHER PUBLICATIONS

[Online] "Balance Decade Pearls & Diamonds Ring" [https://www.tasaki-global.com/jewellery/collectionline/balance/balance\\_decade\\_pearls\\_diamonds/RNI-4812-18KWG/?jewellery=ring](https://www.tasaki-global.com/jewellery/collectionline/balance/balance_decade_pearls_diamonds/RNI-4812-18KWG/?jewellery=ring). Retrieved Feb. 9, 2022.\*

\* cited by examiner

FIG.1



FIG.2

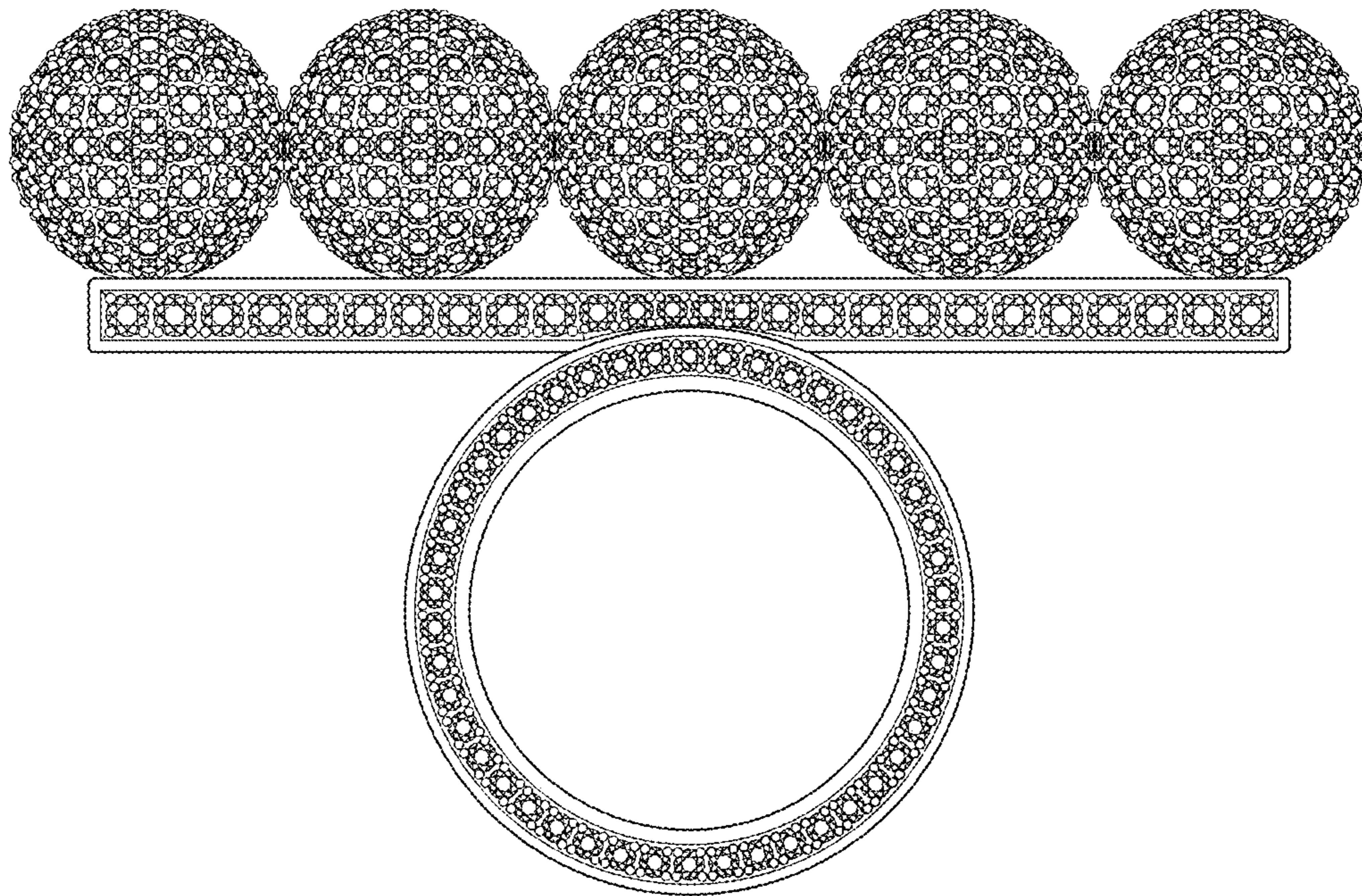


FIG.3

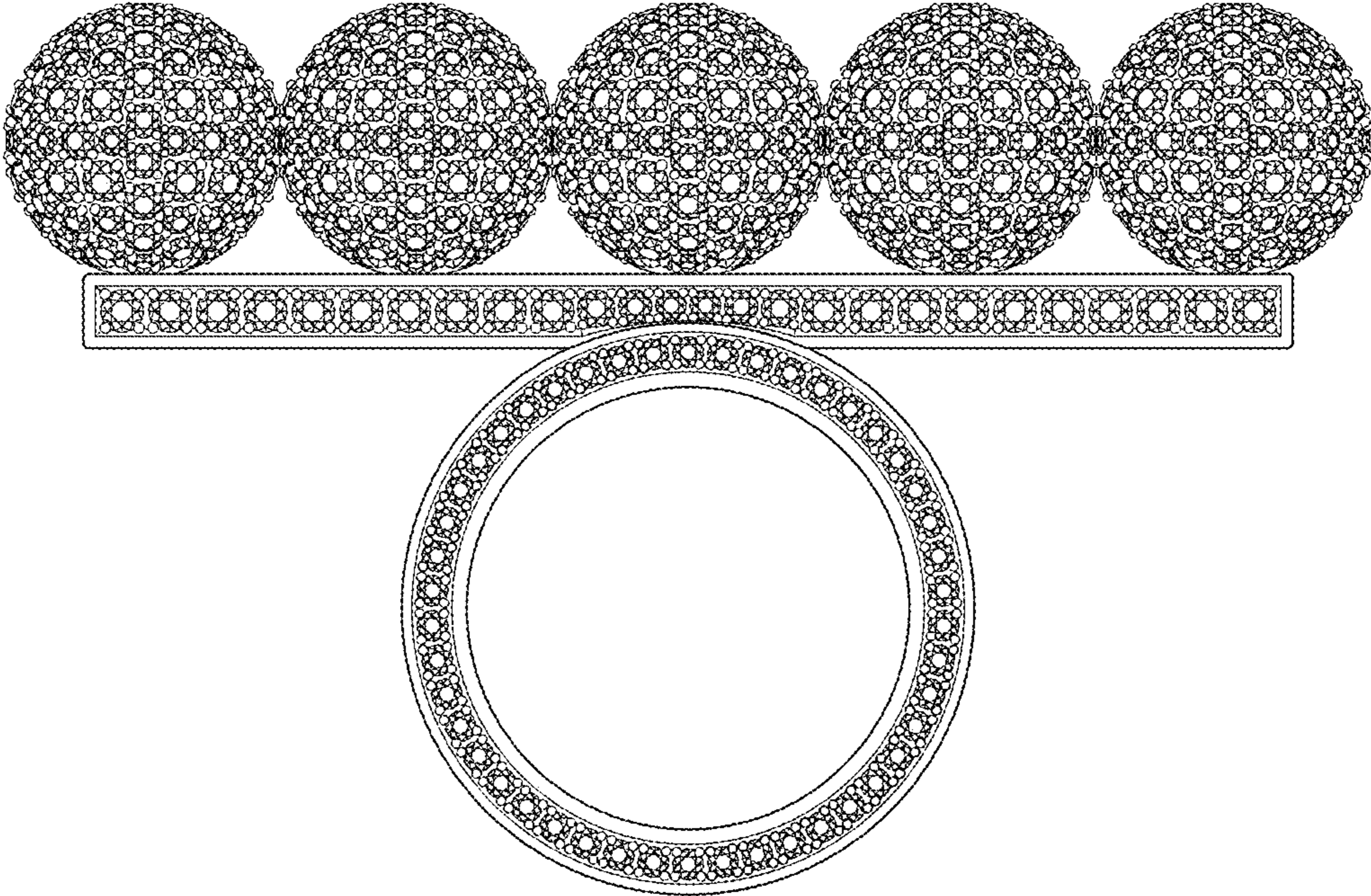


FIG.4

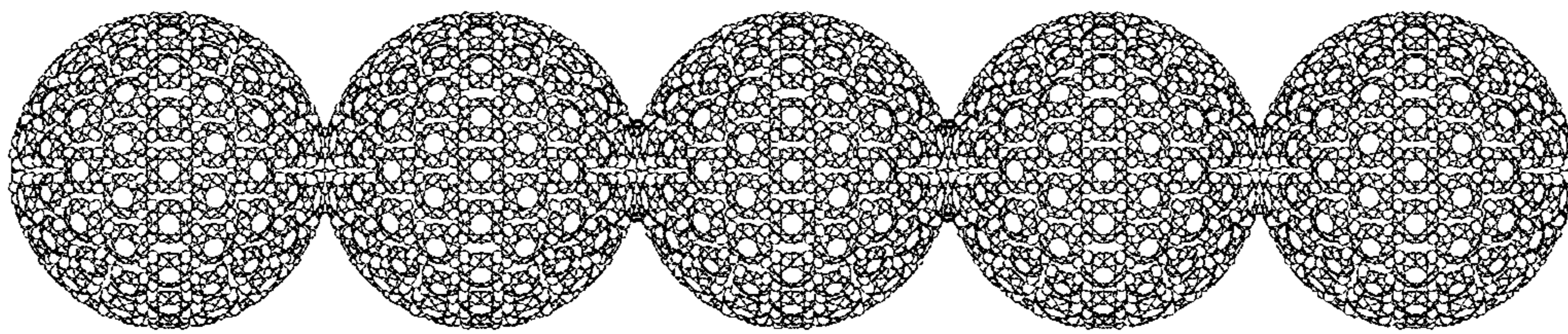


FIG.5

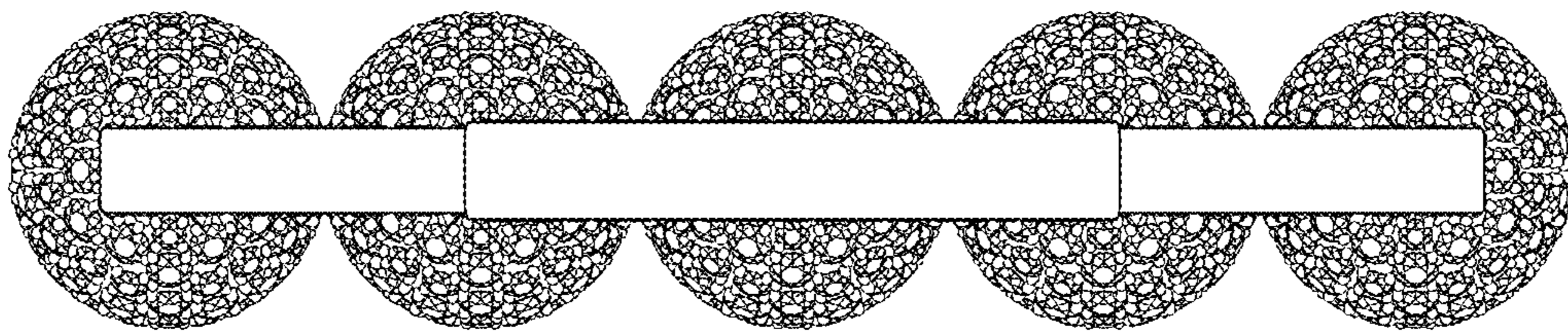


FIG.6

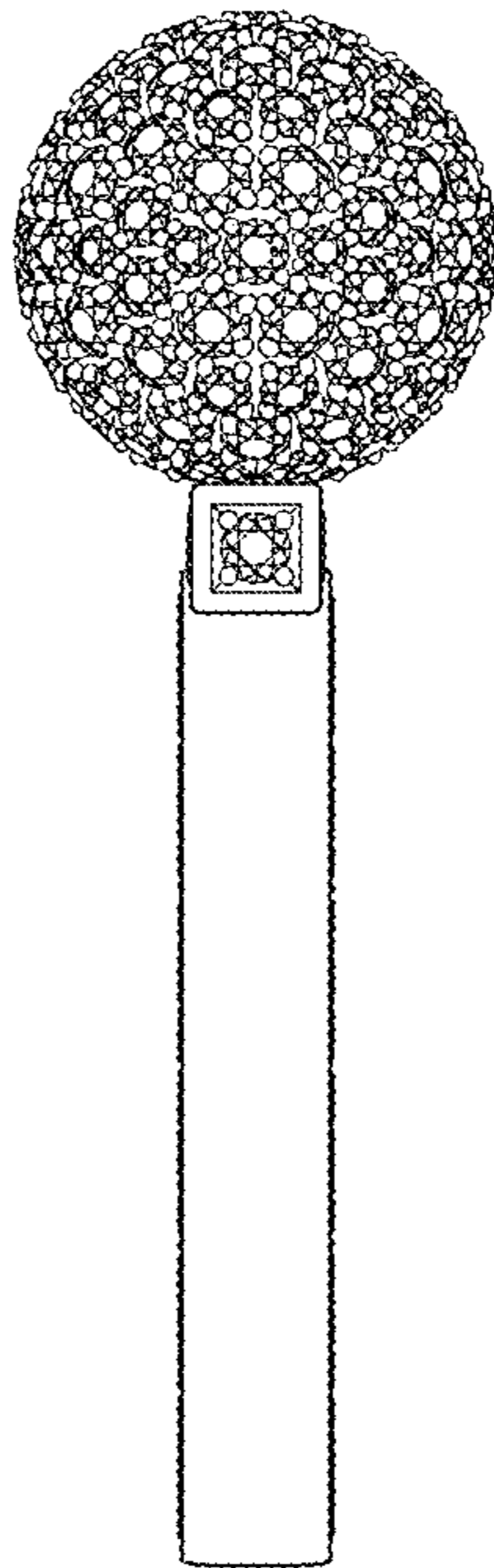




FIG.7

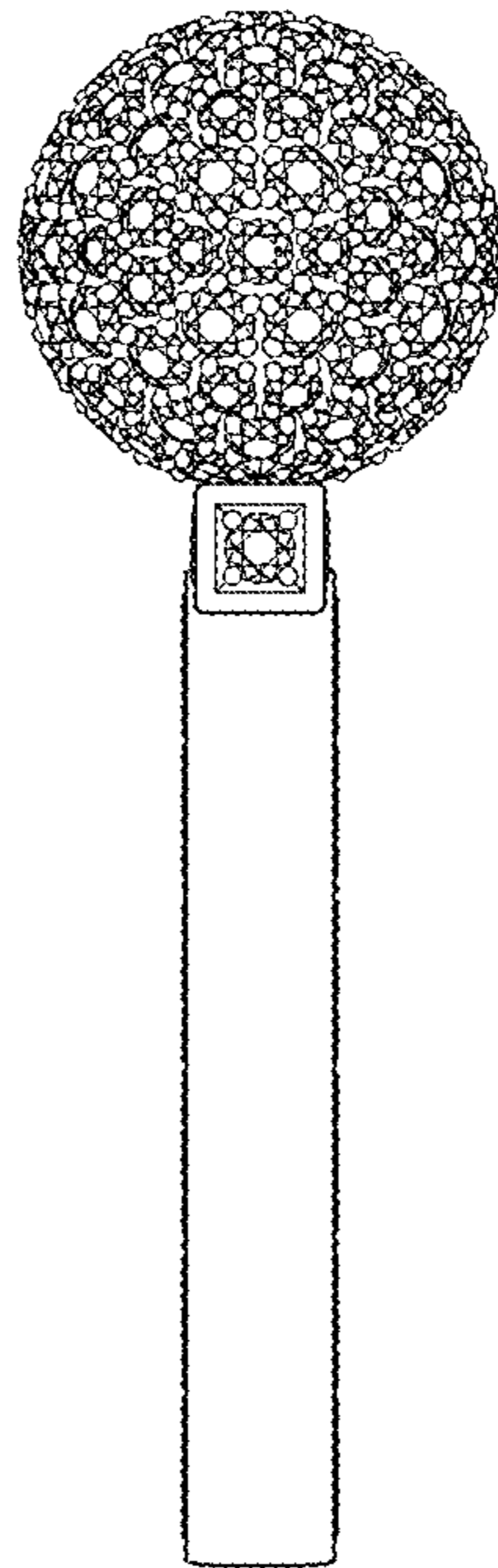


FIG.8

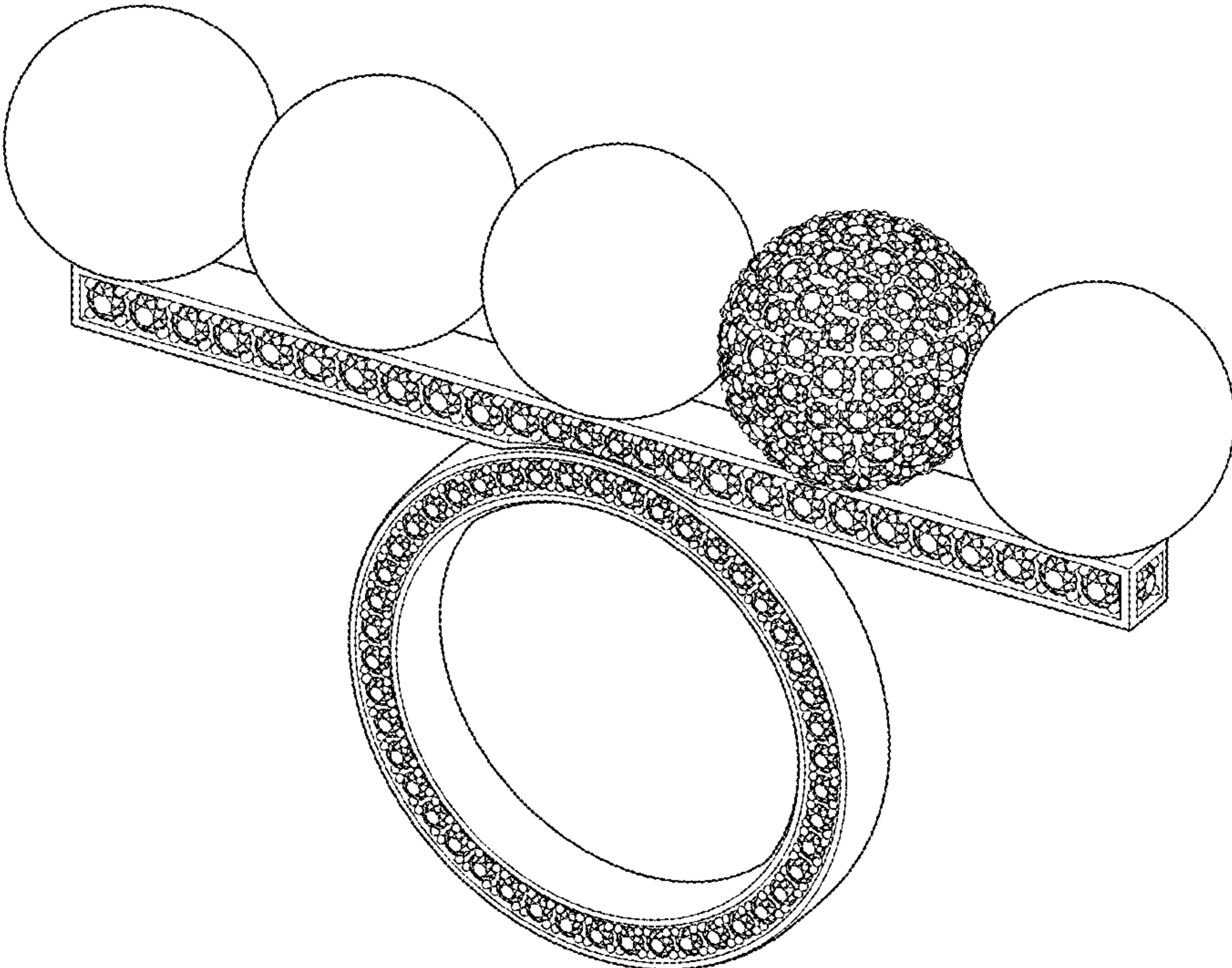


FIG.9

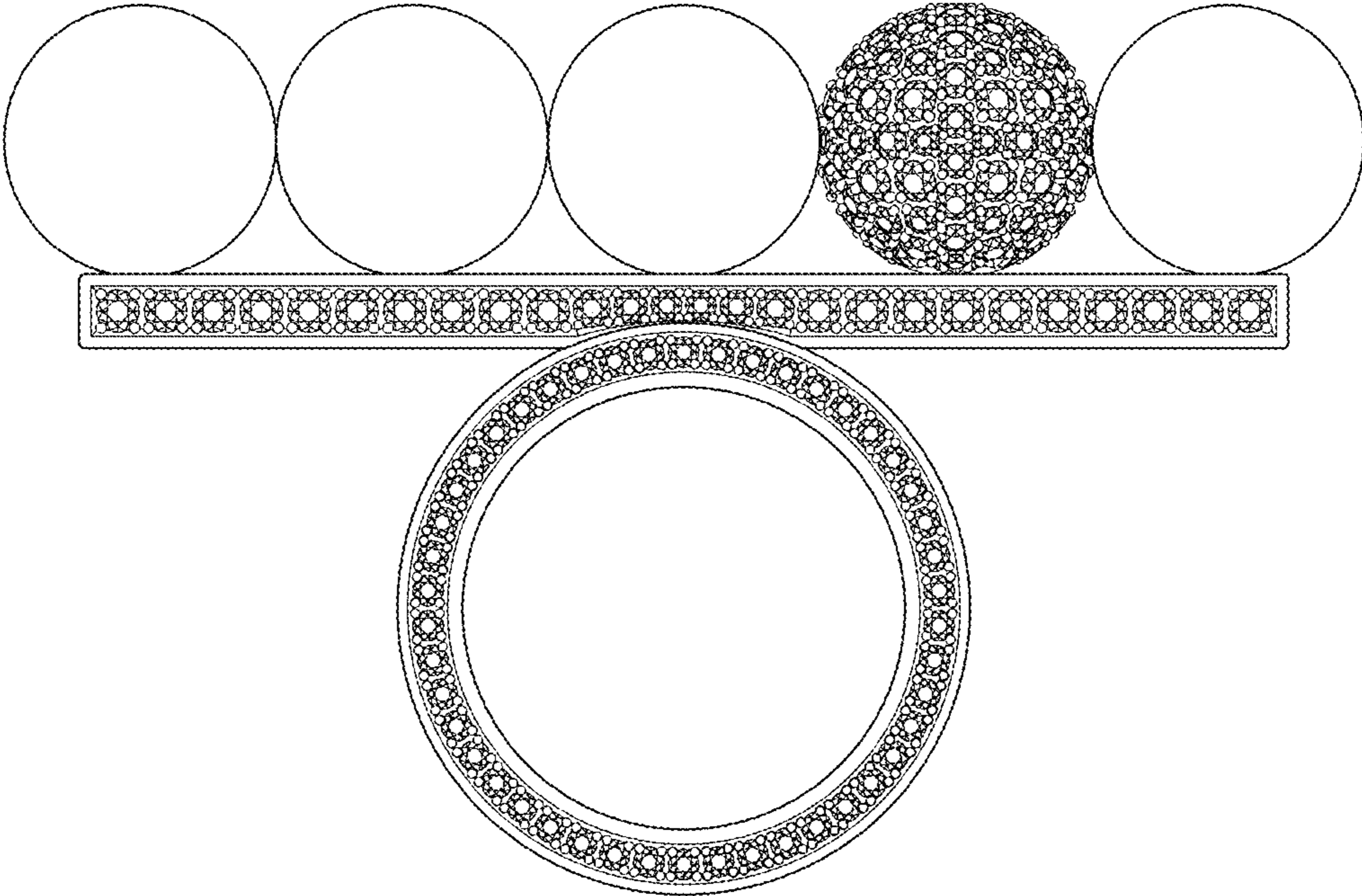


FIG. 10

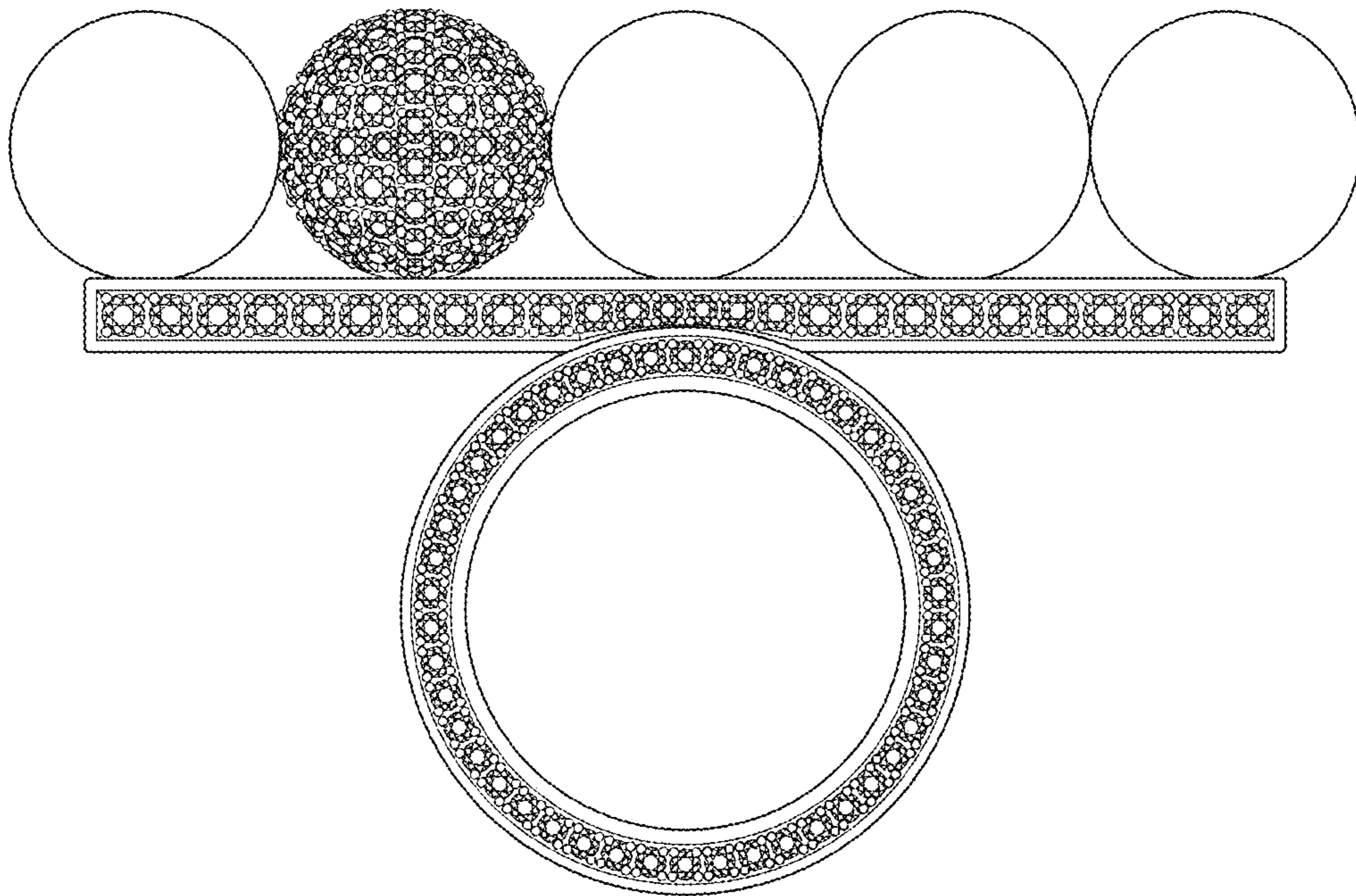


FIG.11

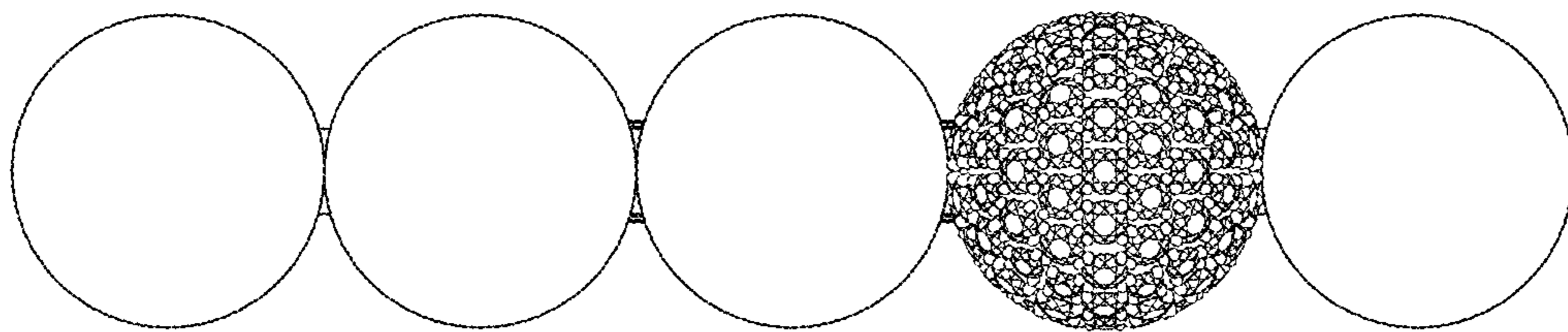


FIG.12

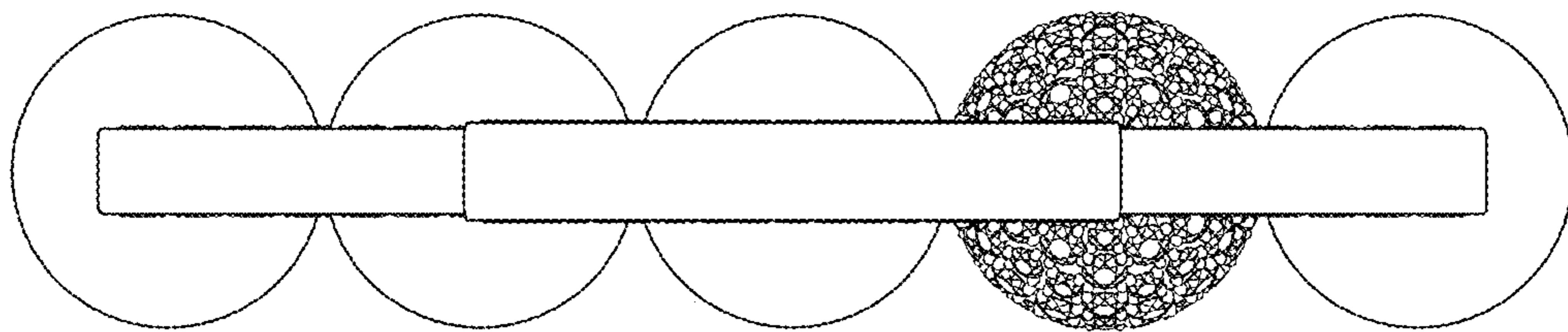


FIG.13

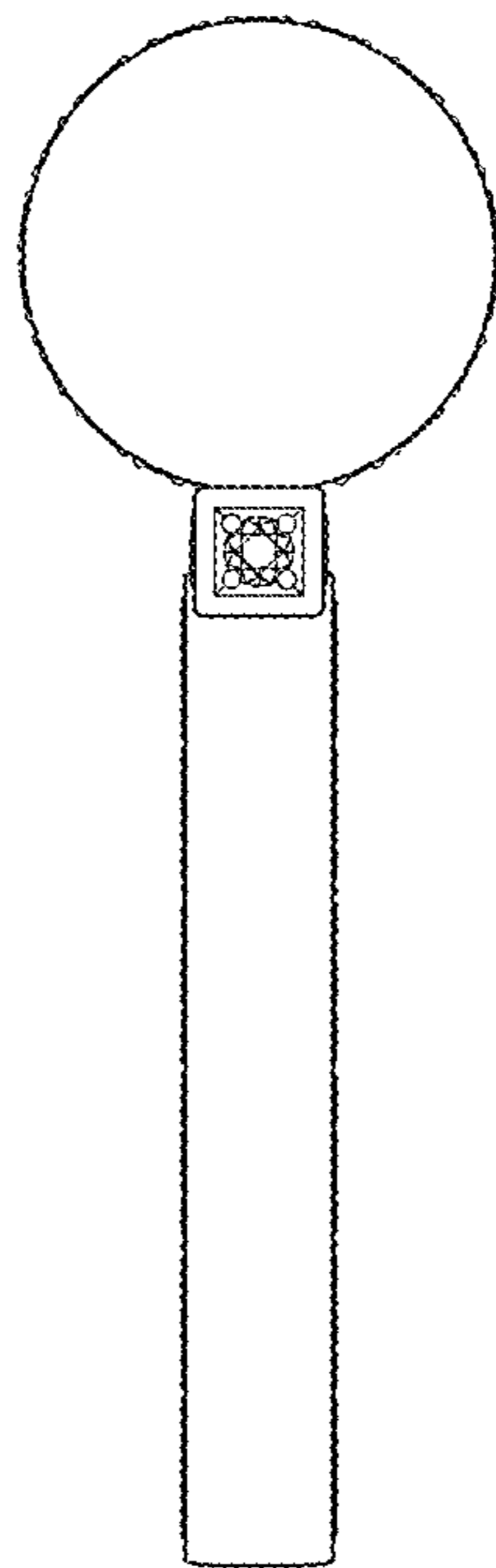


FIG.14

