



US00D953911S

(12) **United States Design Patent**
Newcomb

(10) **Patent No.:** **US D953,911 S**
(45) **Date of Patent:** **** Jun. 7, 2022**

(54) **BRACELET WITH REMOVABLE SPRAY BOTTLE**

- (71) Applicant: **Sentinel Systems Ltd**, Hong Kong (HK)
- (72) Inventor: **Fernando Newcomb**, Hong Kong (HK)
- (**) Term: **15 Years**
- (21) Appl. No.: **29/750,129**
- (22) Filed: **Sep. 11, 2020**
- (51) **LOC (13) Cl.** **11-01**
- (52) **U.S. Cl.**
USPC **D11/2**
- (58) **Field of Classification Search**
USPC D11/2; D14/480.5, 480.3; 224/148.7;
132/316
CPC A44C 9/0053; A44C 15/002; A45D 34/00
See application file for complete search history.

(56) **References Cited**

U.S. PATENT DOCUMENTS

- 1,952,203 A * 3/1934 Fox A44C 9/0053
224/217
- 2,235,350 A * 3/1941 Anderson A44C 15/002
63/3
- D556,194 S * 11/2007 Rambosek D11/2
- D558,198 S * 12/2007 Blankenship D11/2
- D581,826 S * 12/2008 Molyneux D10/32
- D646,191 S * 10/2011 Murphy D11/2
- D780,613 S * 3/2017 Shaukat D11/2
- D823,708 S * 7/2018 Tsai D11/2
- D928,011 S * 8/2021 Vonau D11/2
- 2021/0289992 A1 * 9/2021 Saladino A44C 15/002
- 2021/0315424 A1 * 10/2021 van Leeuwen A44C 15/002
- 2021/0378456 A1 * 12/2021 Singer A44C 5/0007
- 2021/0393814 A1 * 12/2021 Klepfisz A44C 5/0007

FOREIGN PATENT DOCUMENTS

- EM 003356344-0001 * 8/2016
- EM 004092724-0001 * 7/2017

OTHER PUBLICATIONS

Little Viper Pepper Spray Bracelet Hands Free Runners Self Defense Wristband Defense Divas pp. 1-5 2022 <https://www.divasfordefense.com/products/little-viper-pepper-spray-bracelet-hands-free-runners-self-defense-wristband> (Year: 2022).*

Little Viper Pepper Spray Bracelet Stun & Run Self Defense pp. 1-6 2013 <https://www.littleviper.com/> (Year: 2013).*

* cited by examiner

Primary Examiner — Kevin K Rudzinski
Assistant Examiner — Evans David Delesline

(57) **CLAIM**

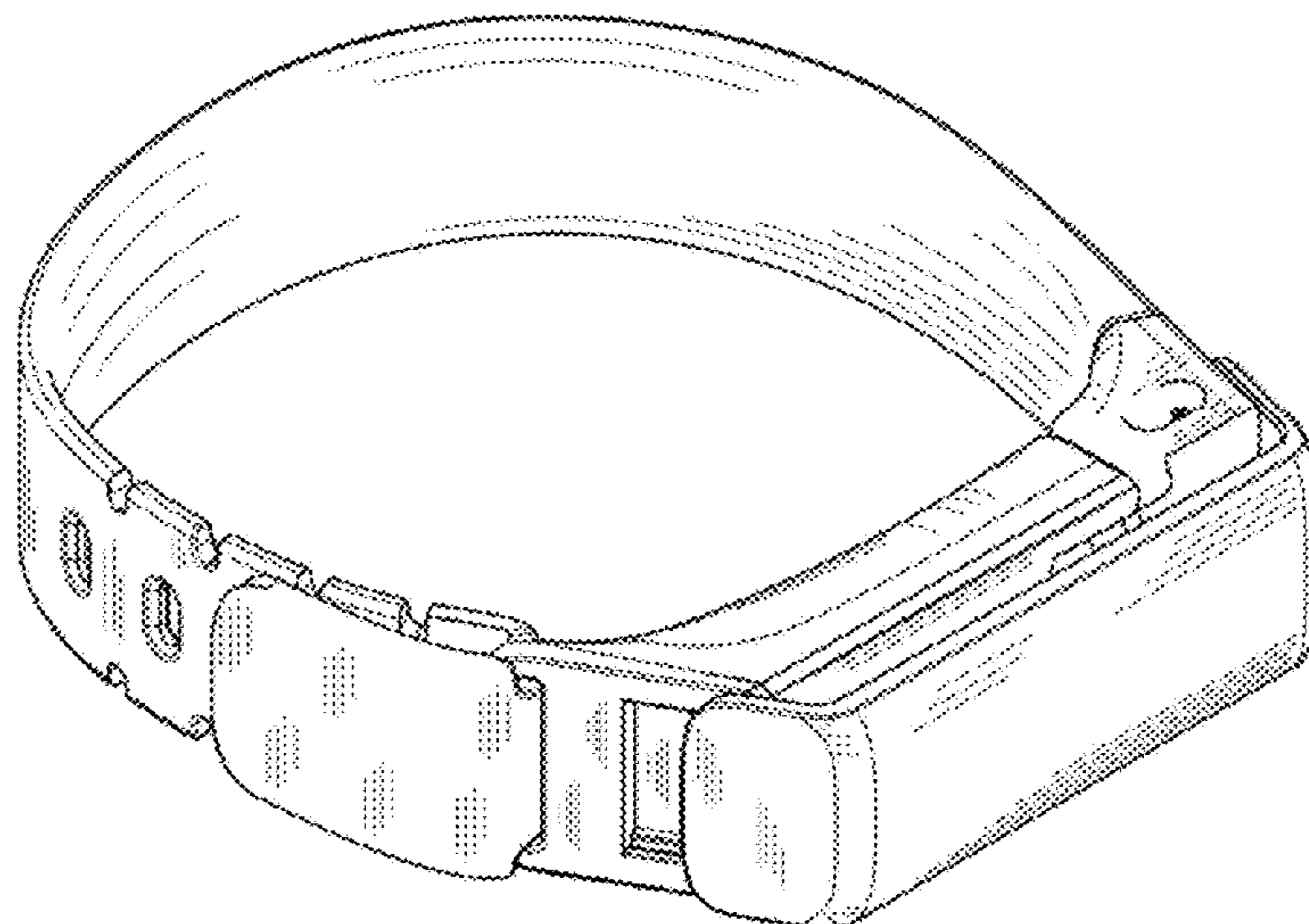
I claim the ornamental design for a bracelet with removable spray bottle, substantially as shown and described.

DESCRIPTION

FIG. 1 is a top, perspective view of the bracelet with removable spray bottle; the view showing my new design; FIG. 2 is a front elevation view thereof; FIG. 3 is a side elevation view thereof; FIG. 4 is a side elevation view thereof; FIG. 5 is a rear elevation view thereof; FIG. 6 is a top view thereof; FIG. 7 is a bottom view thereof; FIG. 8 is a top, perspective thereof; FIG. 9 is a top, perspective view thereof; the view showing the actuator in the open position; and, FIG. 10 is a top, perspective view thereof; the view showing the actuator in the open position; the view showing the spray bottle detached from the bracelet; the view showing an exploded view of the spray bottle portion.

A description of the appearance of the article is as follows:
A bracelet with removable spray bottle.

1 Claim, 10 Drawing Sheets



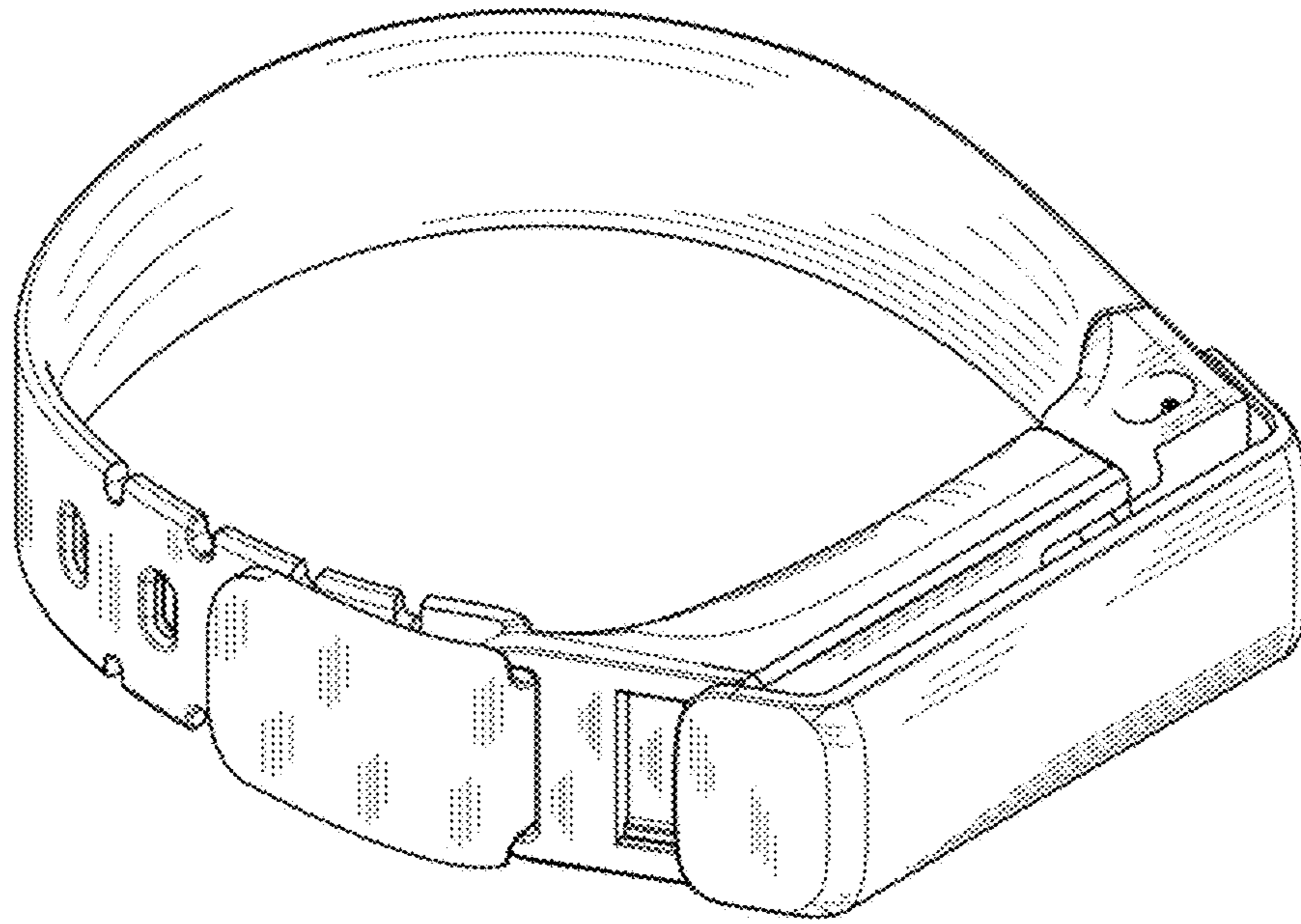


FIG. 1

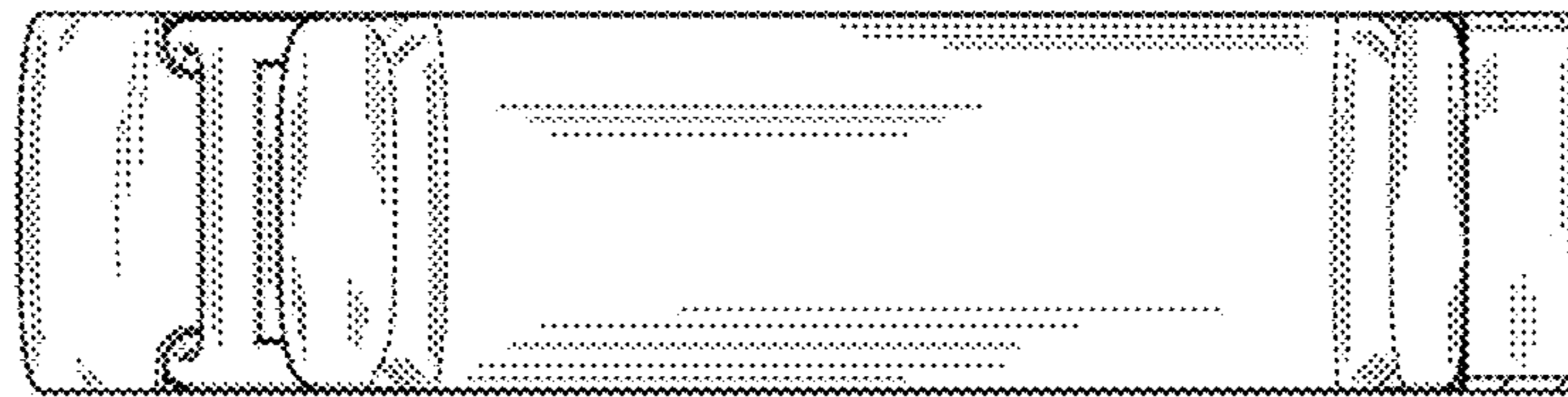


FIG. 2

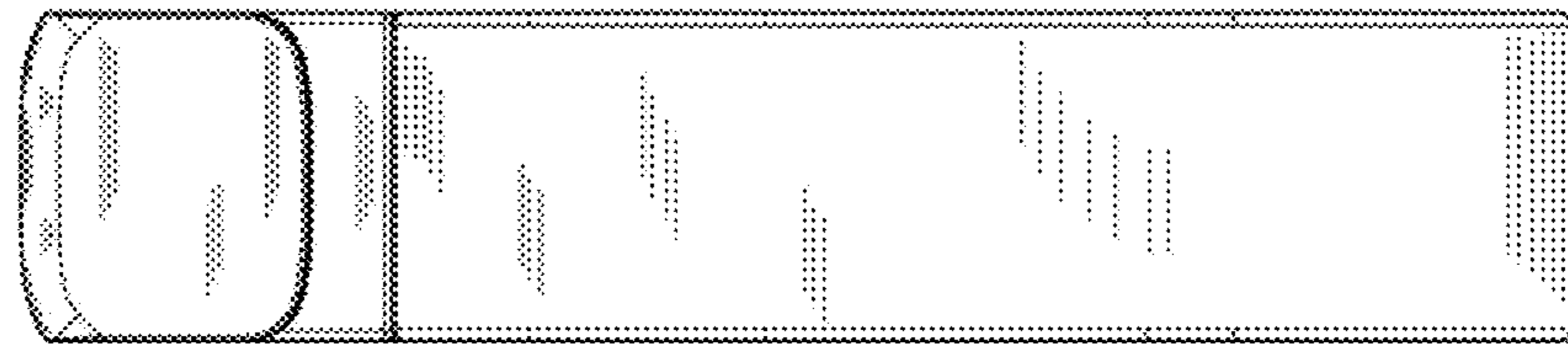


FIG. 3

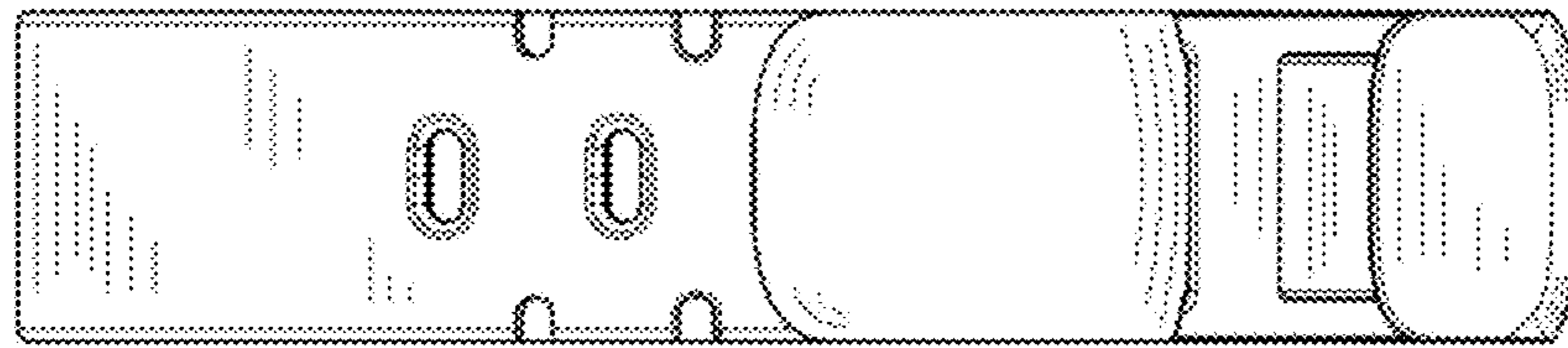


FIG. 4

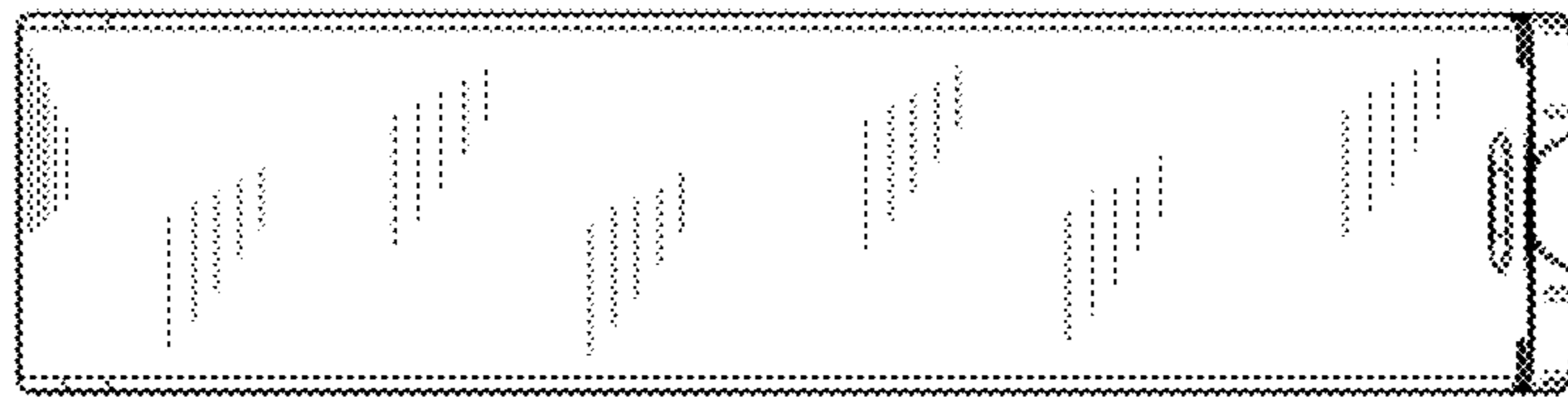


FIG. 5

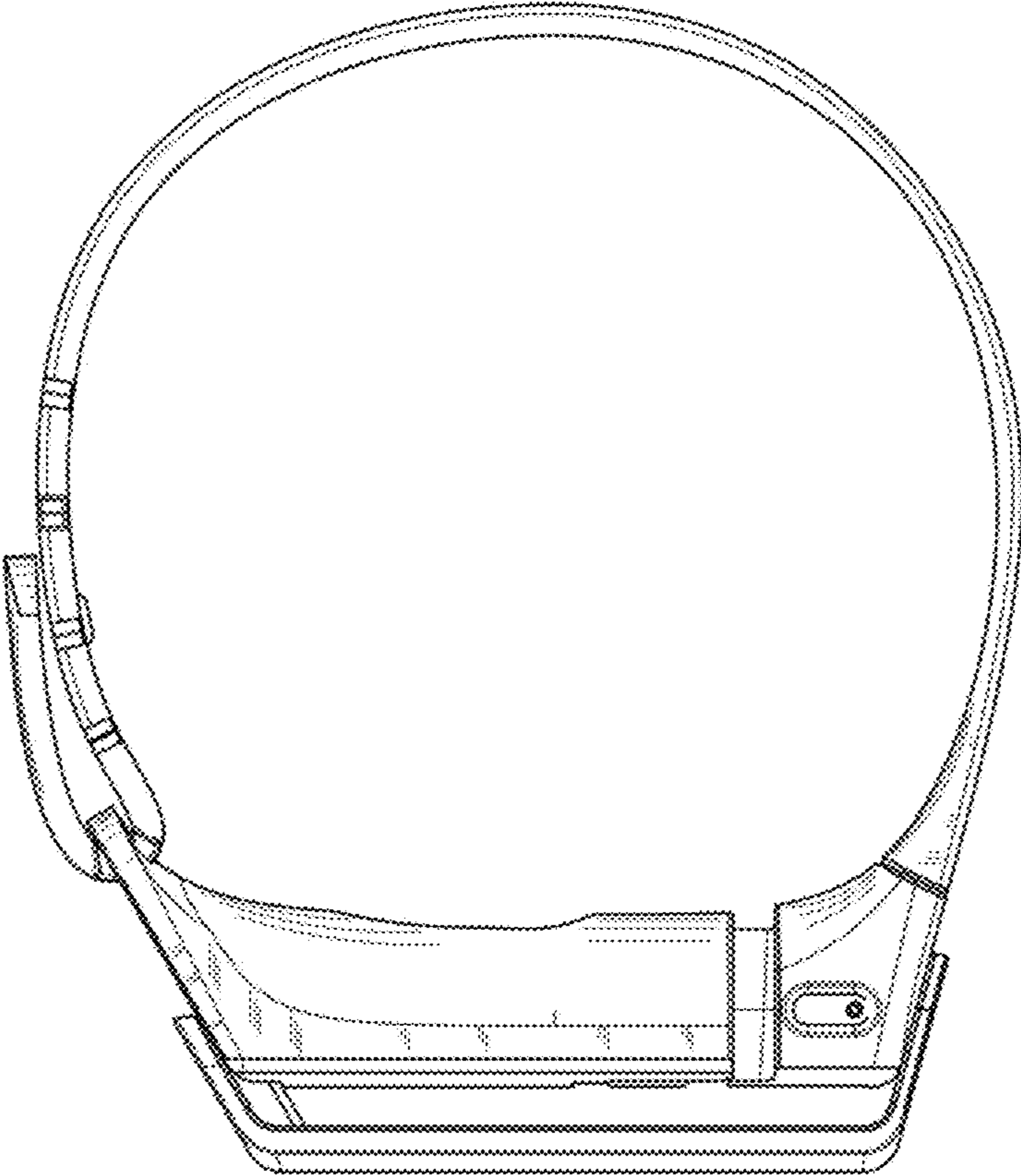


FIG. 6

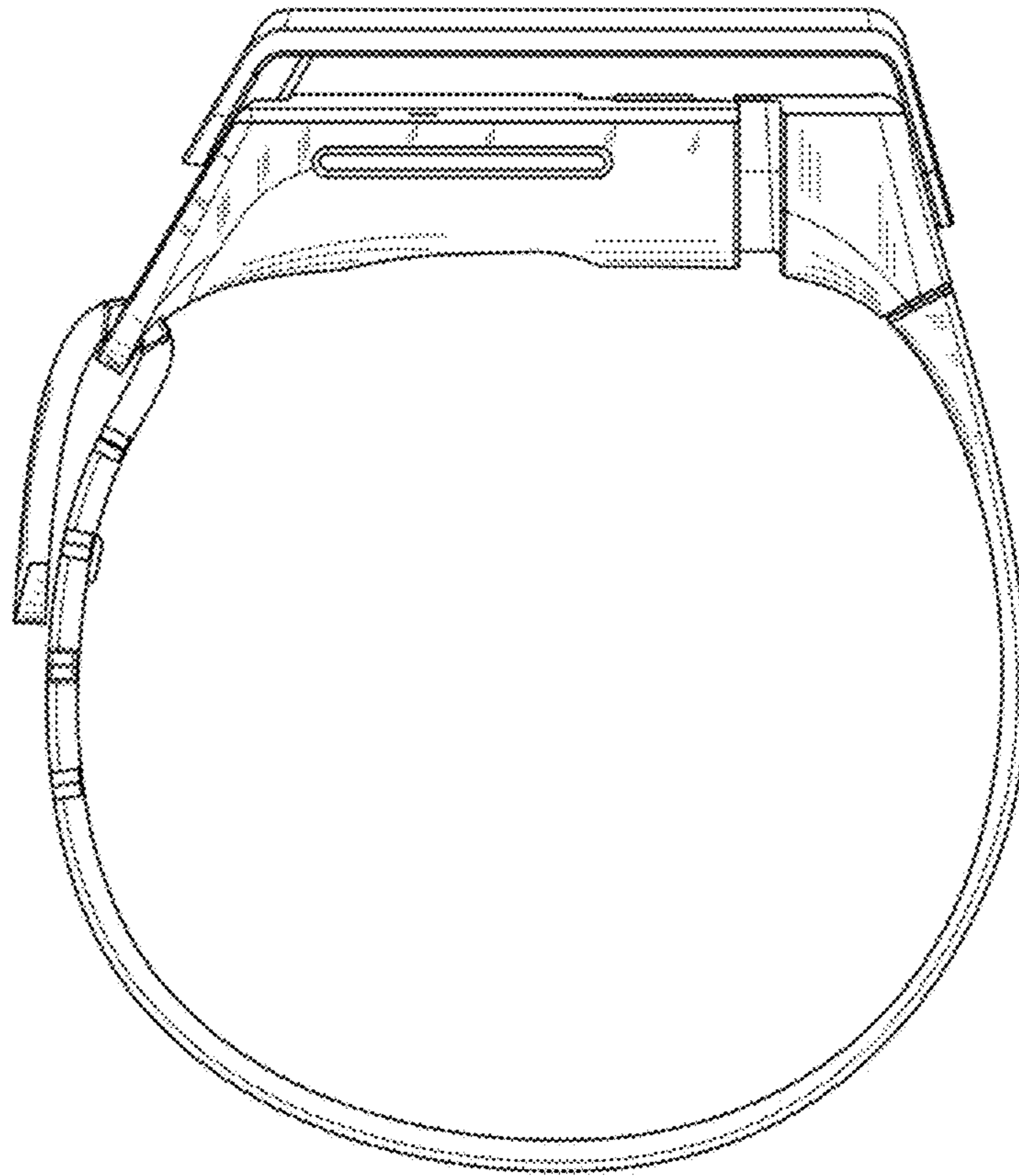


FIG. 7

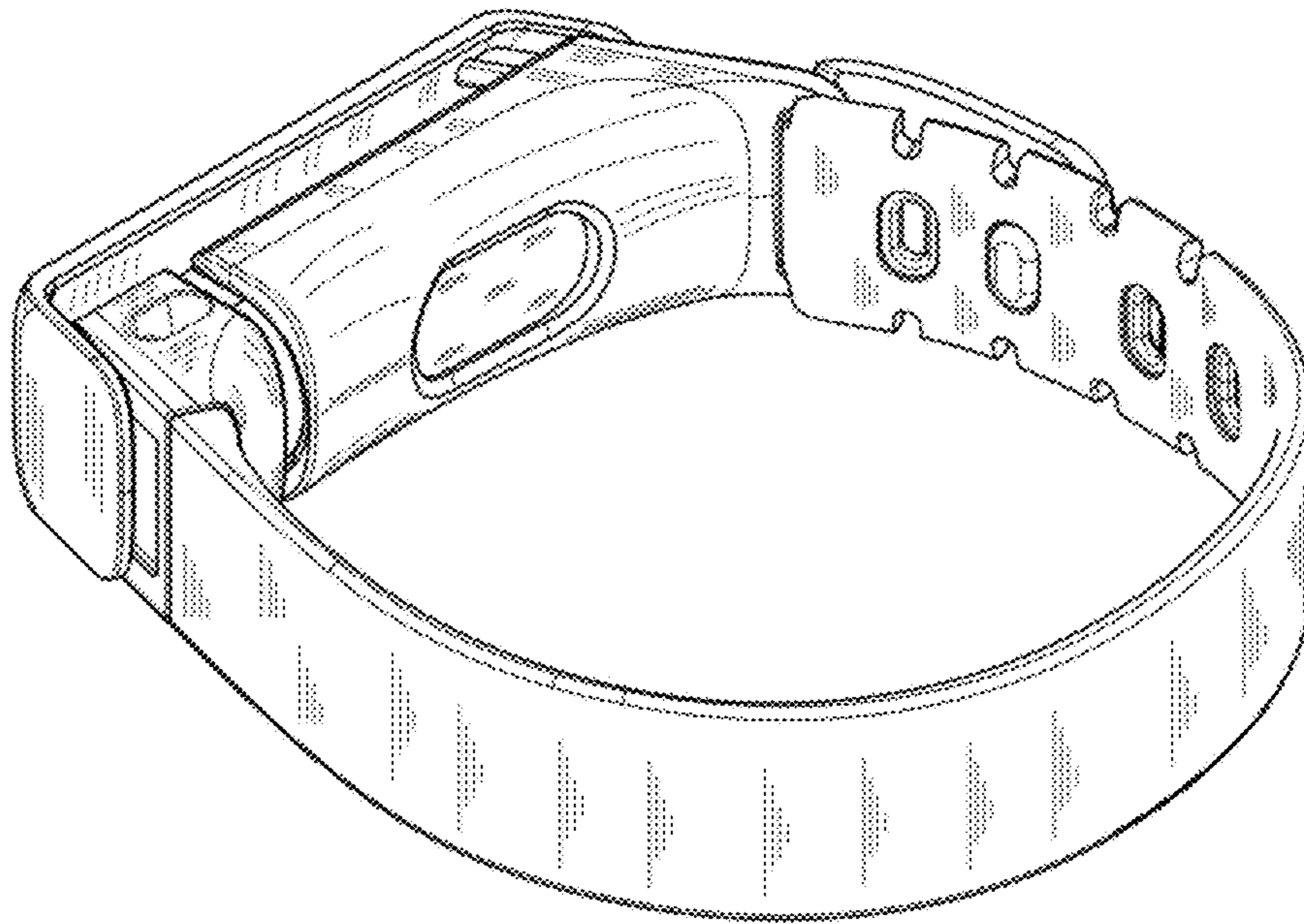


FIG. 8

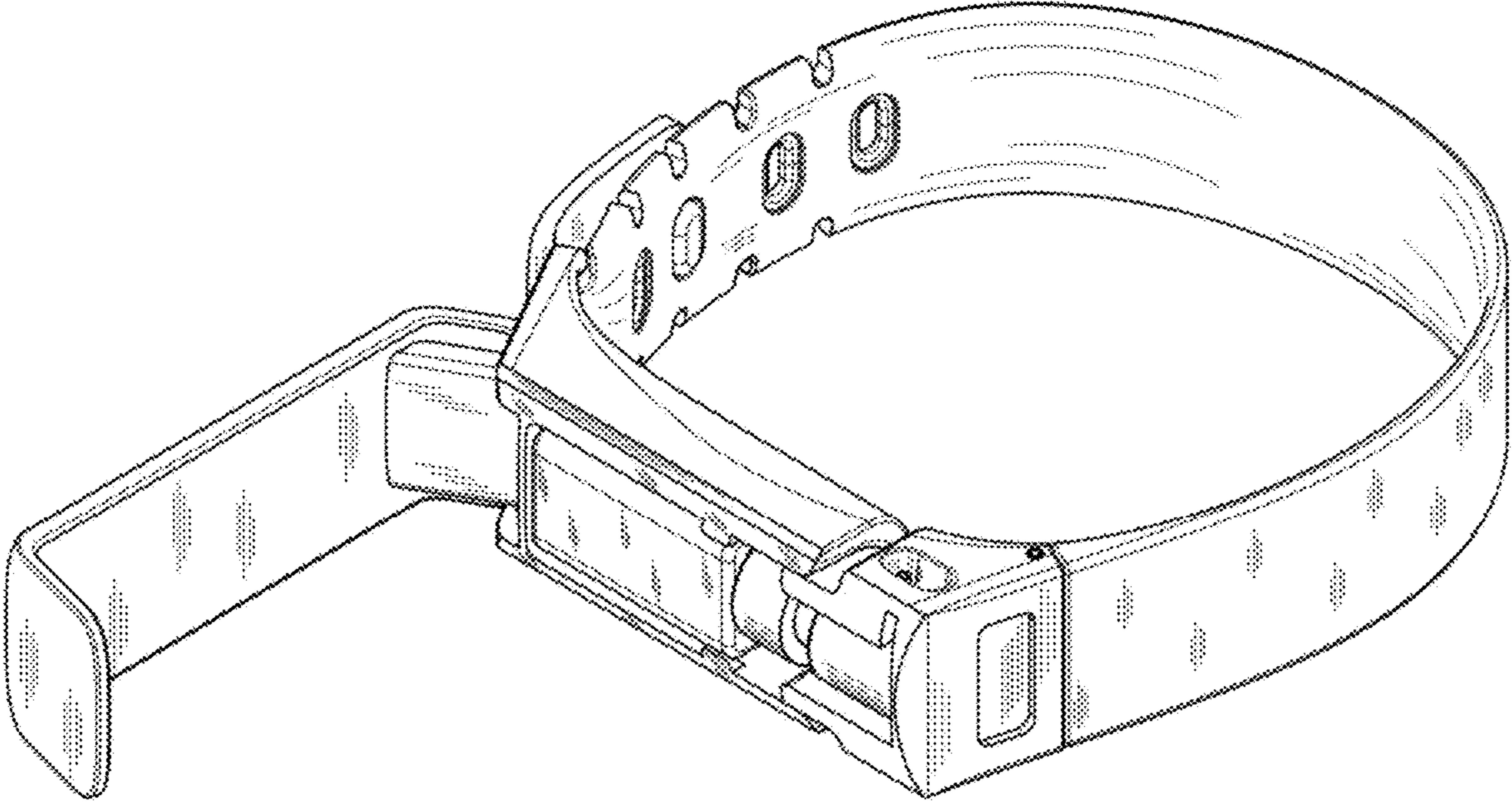


FIG. 9

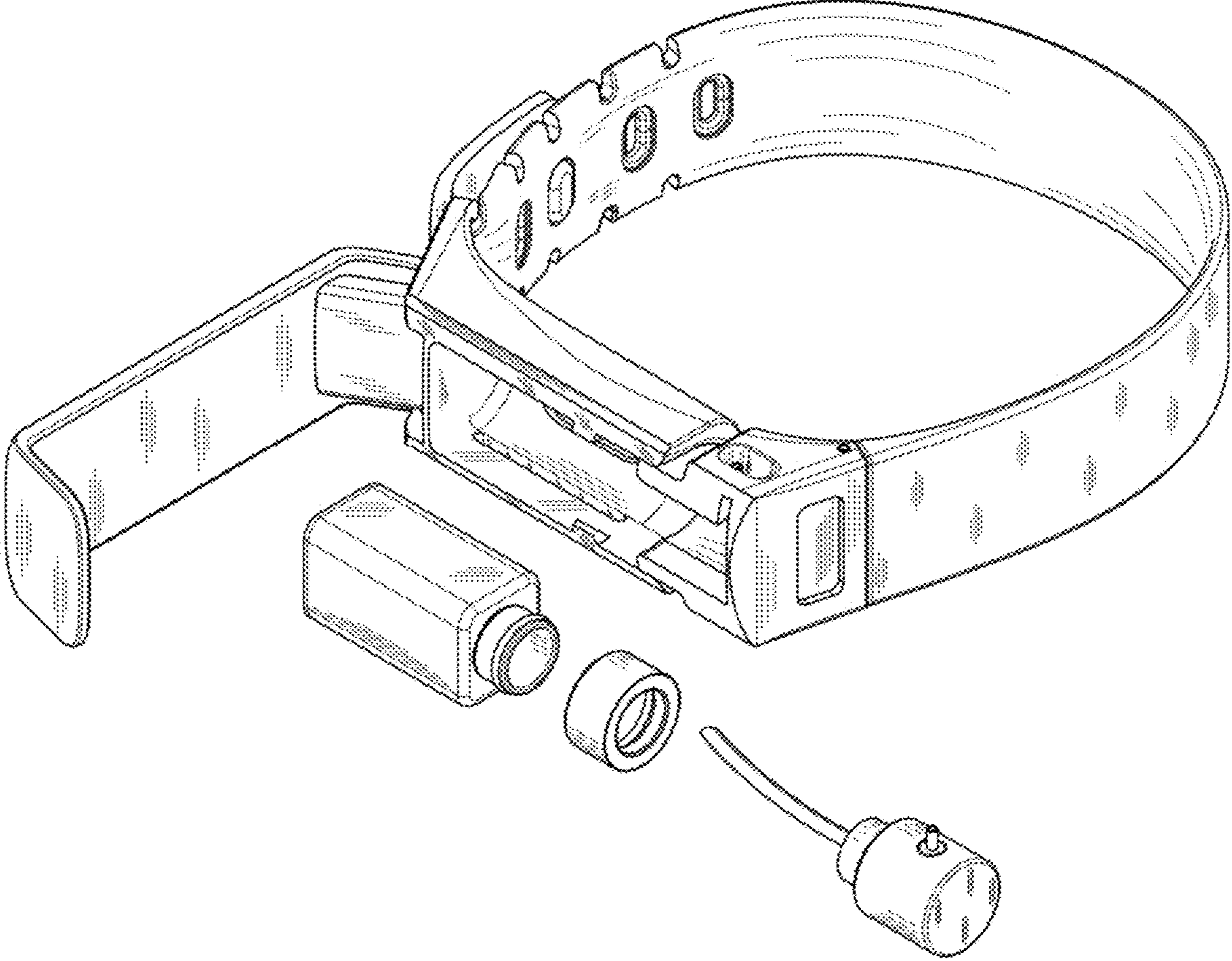


FIG. 10