



US00D953909S

(12) **United States Design Patent**
Pan

(10) **Patent No.:** **US D953,909 S**

(45) **Date of Patent:** **** Jun. 7, 2022**

- (54) **VIDEO DOORBELL BRACKET**
- (71) Applicant: **Shenzhen Guang Teng Trading Co., LTD, Shenzhen (CN)**
- (72) Inventor: **Yujun Pan, Shenzhen (CN)**
- (73) Assignee: **Shenzhen Guang Teng Trading Co., LTD, Shenzhen (CN)**

- D579,810 S * 11/2008 Campman D10/104.1
- D743,290 S * 11/2015 Welch D10/121
- D825,639 S * 8/2018 Kan D16/203
- D850,965 S 6/2019 Laurans et al.
- D850,966 S 6/2019 Laurans et al.
- D860,025 S * 9/2019 Illouz D10/106.2
- 10,615,995 B2 * 4/2020 Yu H04L 12/4625
- D887,884 S * 6/2020 Oliveros D10/121
- D925,384 S * 7/2021 England D10/121
- D932,931 S * 10/2021 Li D10/121

* cited by examiner

(**) Term: **15 Years**

Primary Examiner — George D. Kirschbaum

(21) Appl. No.: **29/779,227**

(57) **CLAIM**

(22) Filed: **Apr. 16, 2021**

The ornamental design for a video doorbell bracket, as shown and described.

(51) **LOC (13) Cl.** **10-05**

DESCRIPTION

(52) **U.S. Cl.**
USPC **D10/121**

(58) **Field of Classification Search**
USPC D10/104.1, 121, 105.2; D16/203
CPC H04L 12/4625
See application file for complete search history.

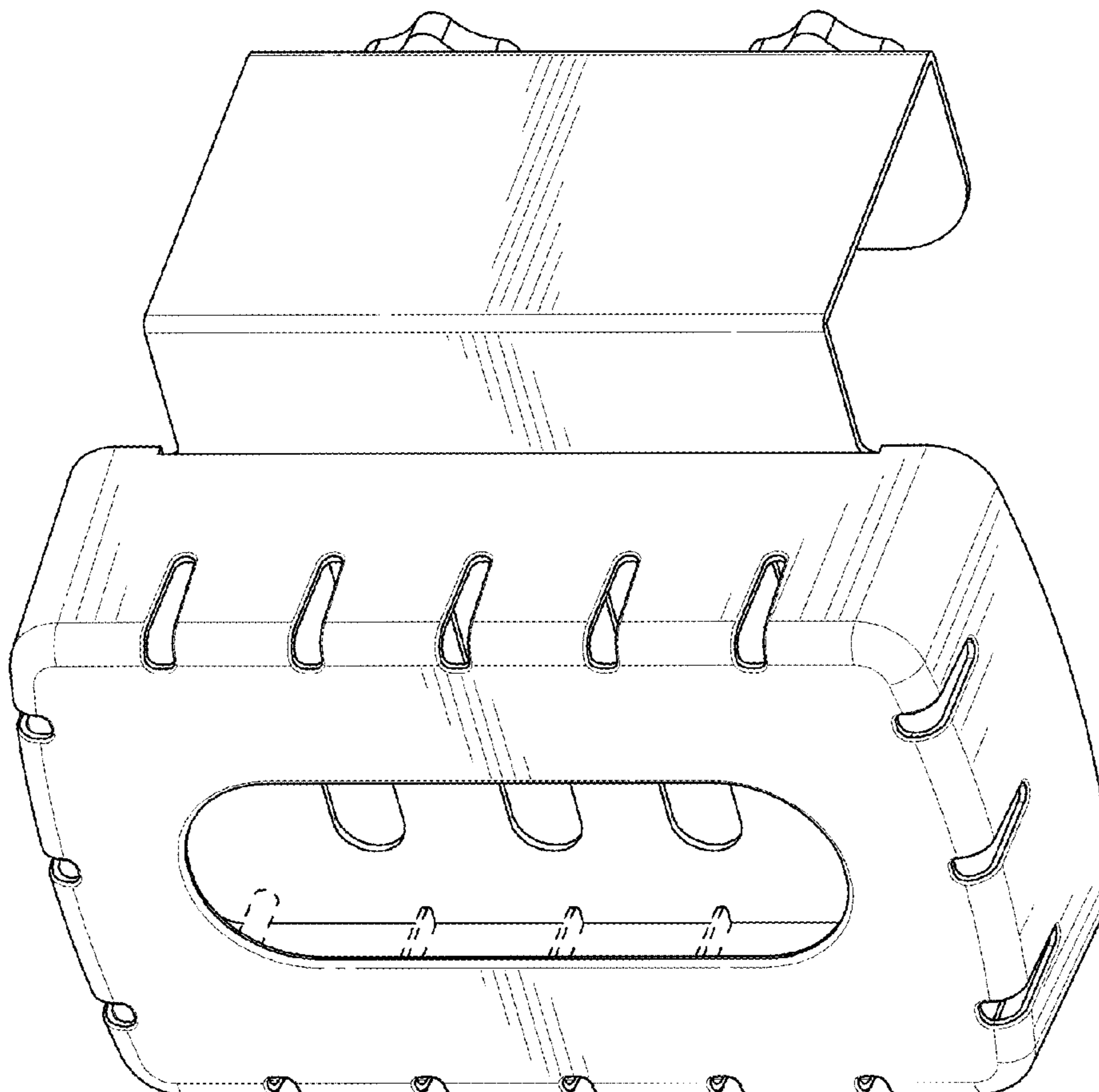
FIG. 1 is a perspective view of a video doorbell bracket showing my new design;
FIG. 2 is a front view thereof;
FIG. 3 is a rear view thereof;
FIG. 4 is a right side view thereof;
FIG. 5 is a left side view thereof;
FIG. 6 is a top plan view thereof; and,
FIG. 7 is a bottom plan view thereof.
The broken lines in the figures illustrate portions of the video doorbell bracket that form no part of the claimed design.

(56) **References Cited**

U.S. PATENT DOCUMENTS

- D281,865 S * 12/1985 Abel D10/106.1
- D424,962 S * 5/2000 Dawn D10/121
- D482,981 S * 12/2003 Alonso D10/121

1 Claim, 7 Drawing Sheets



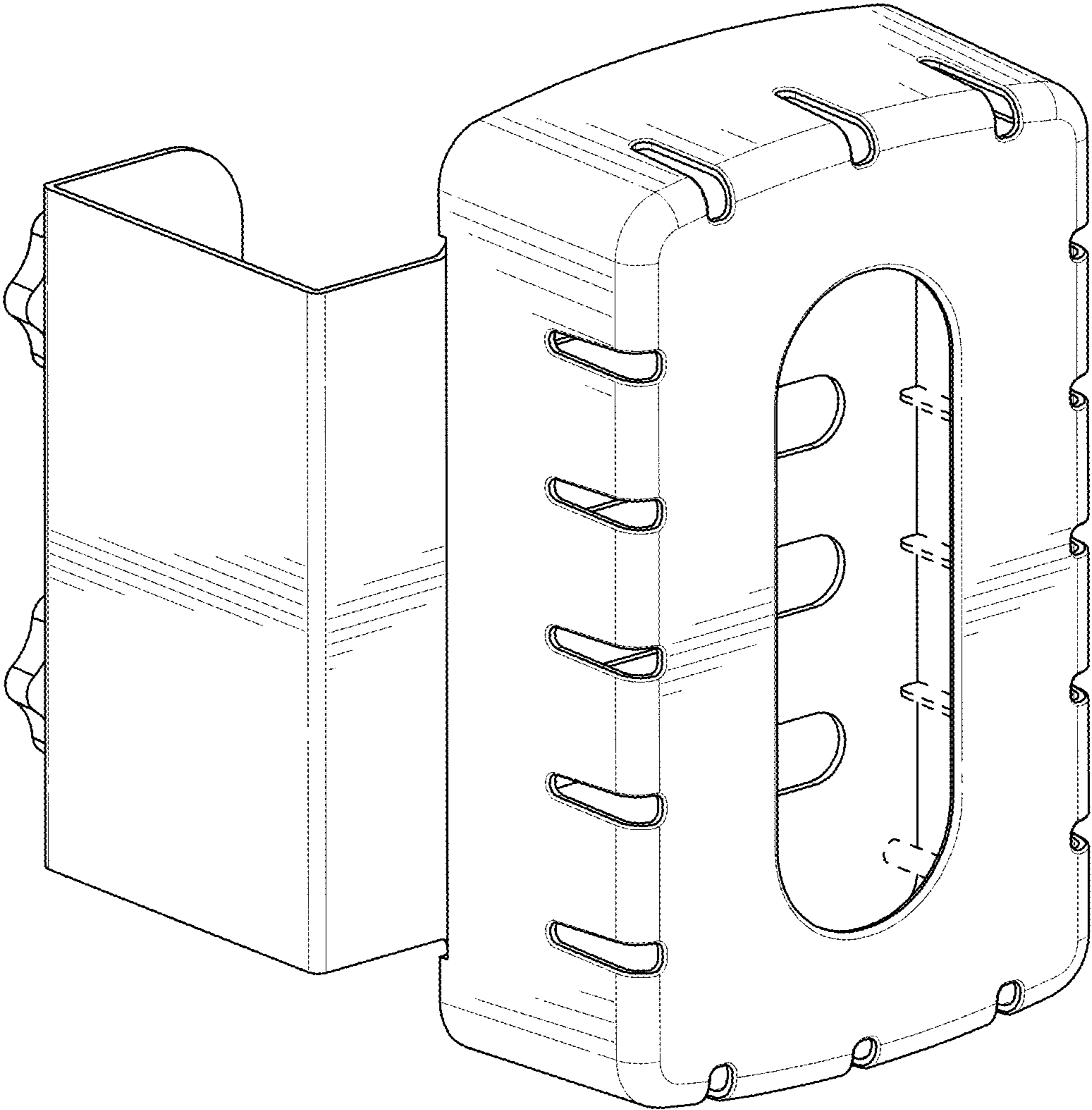


FIG. 1

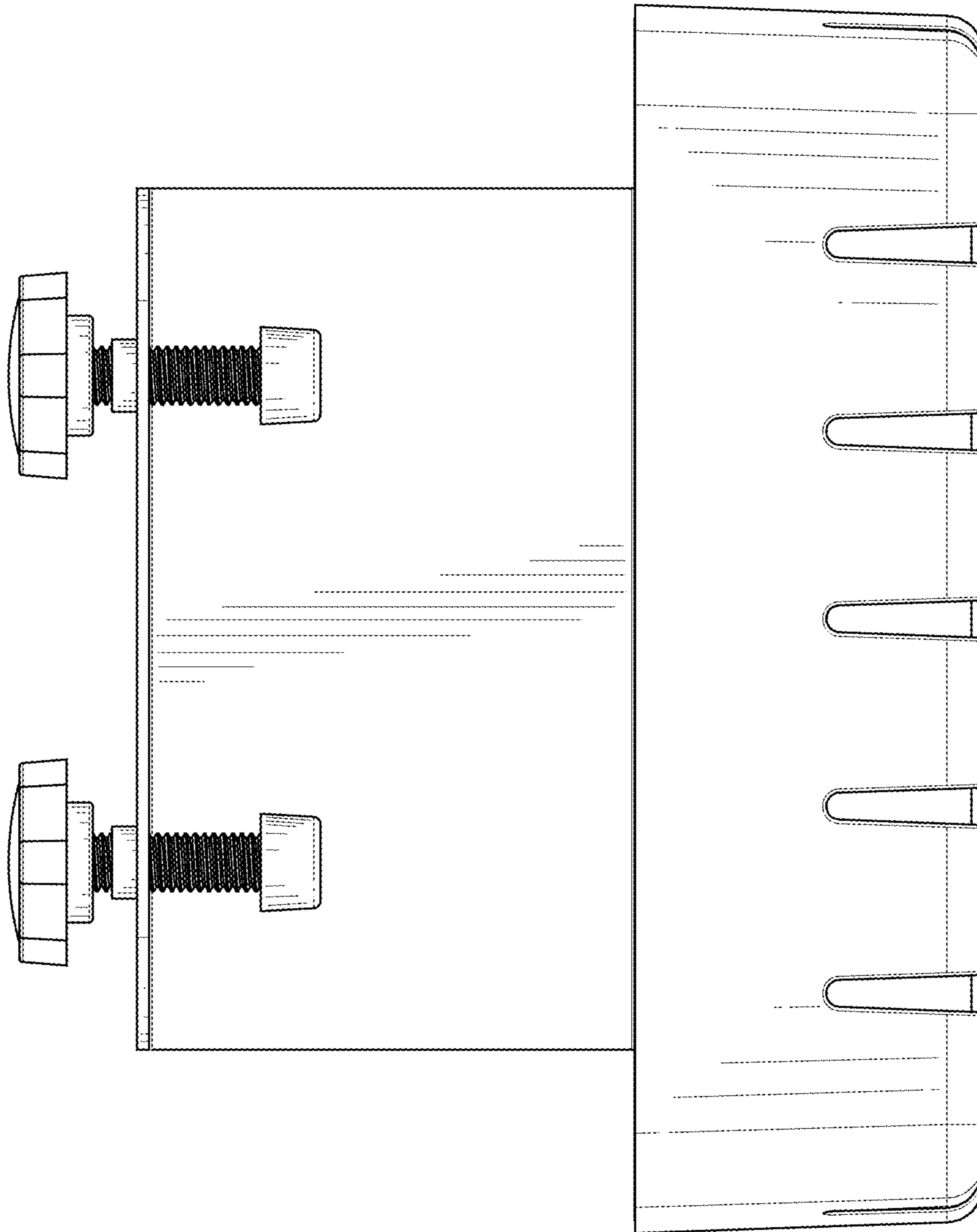


FIG. 2

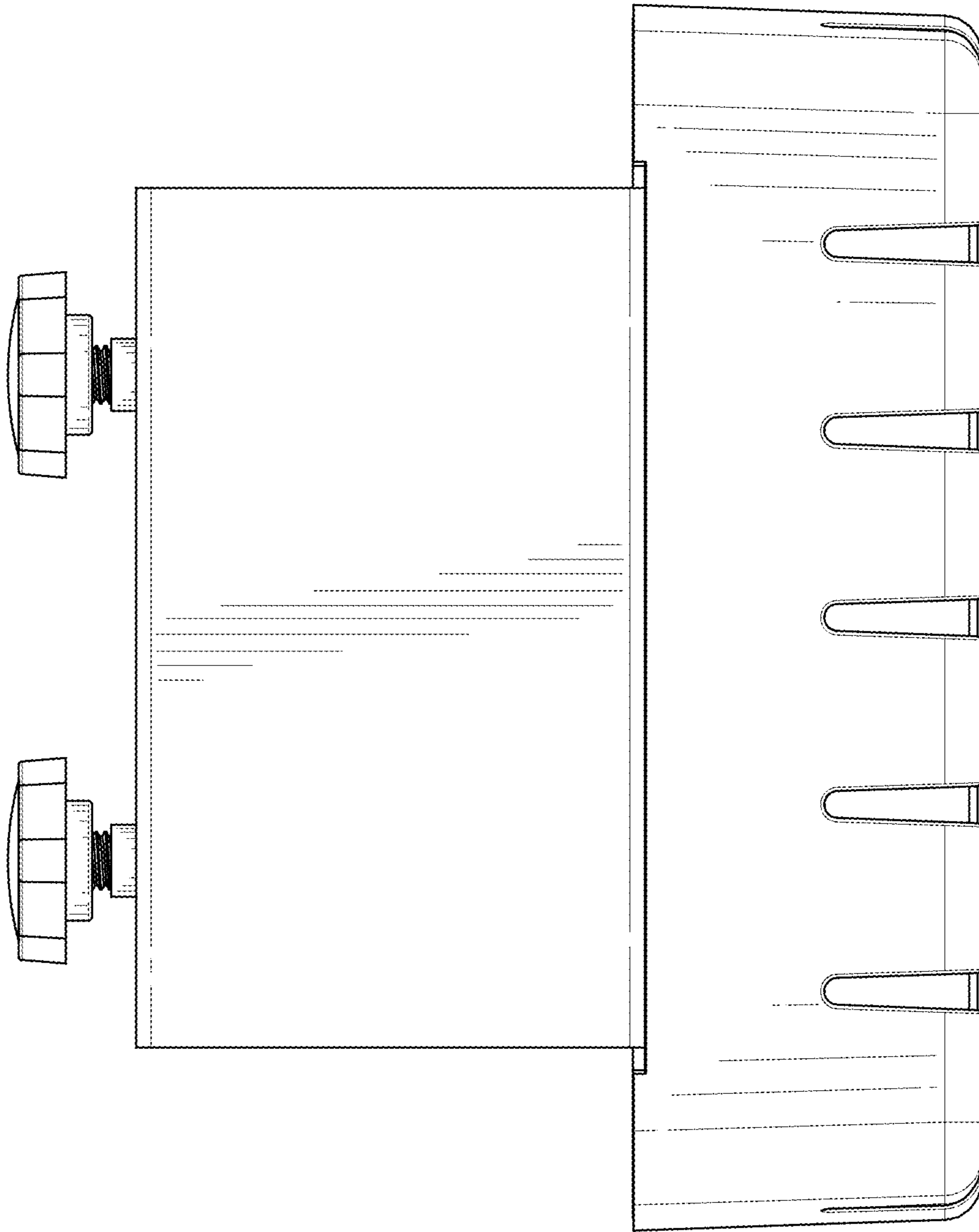


FIG. 3

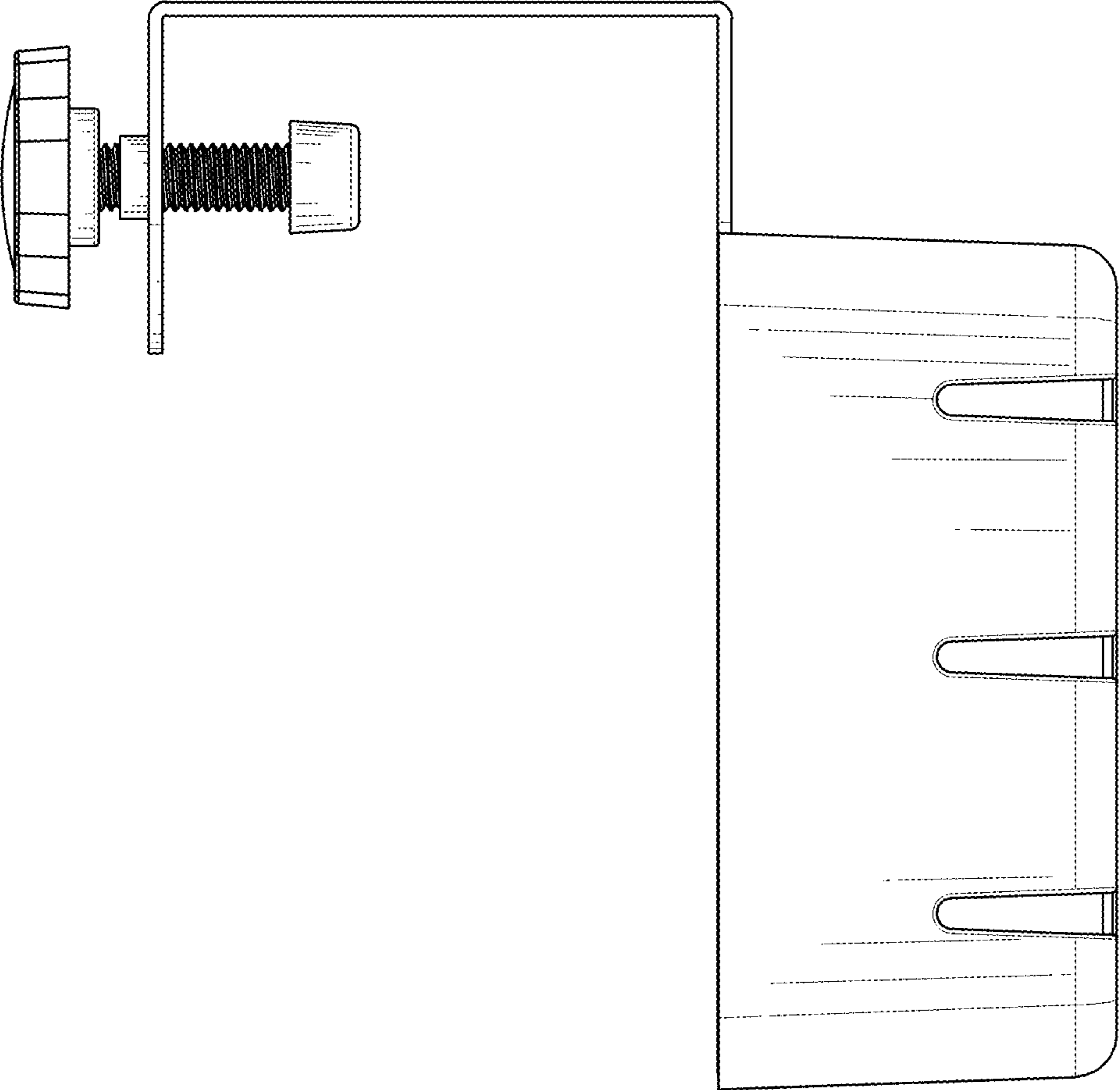


FIG. 4

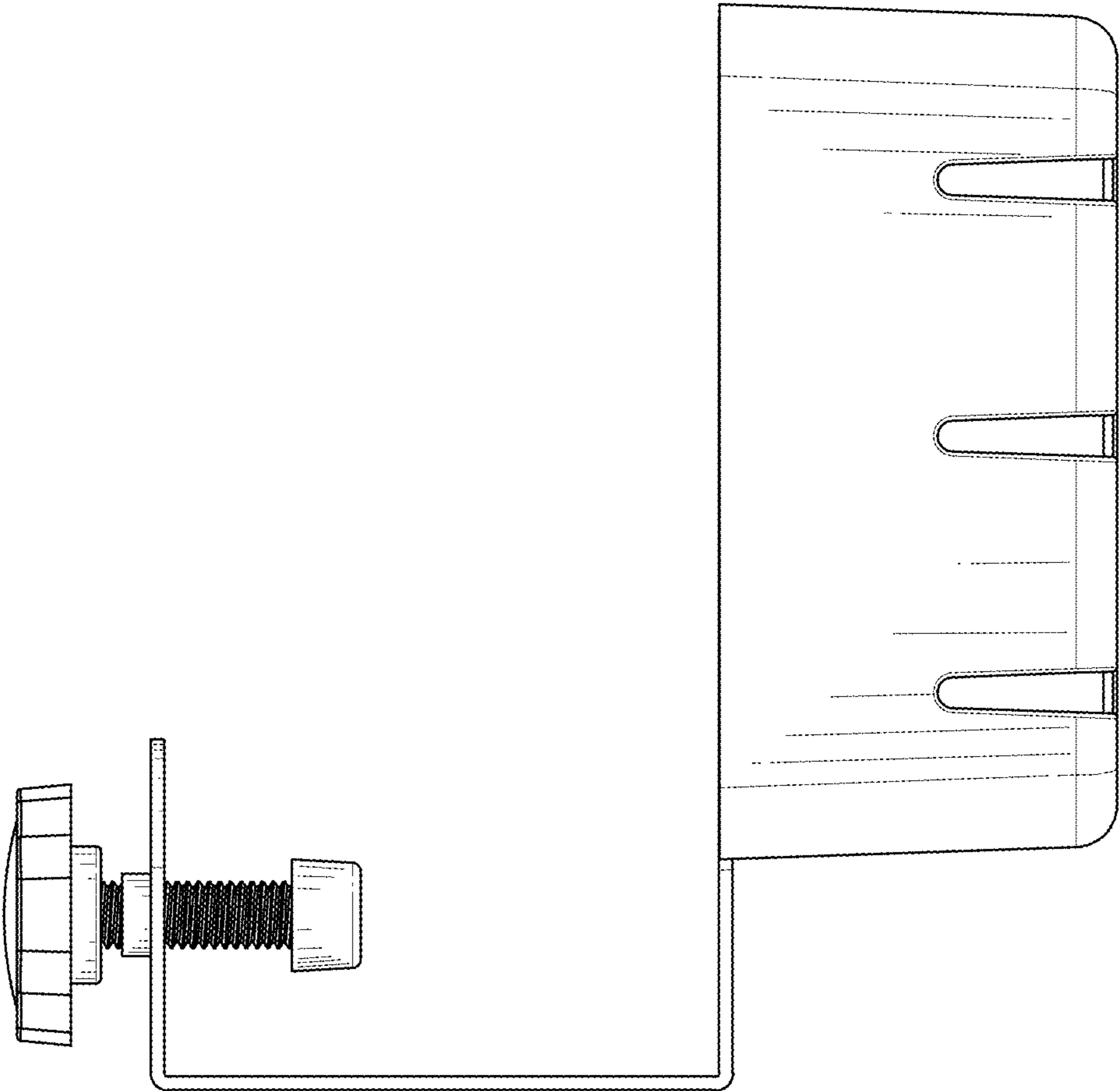


FIG. 5

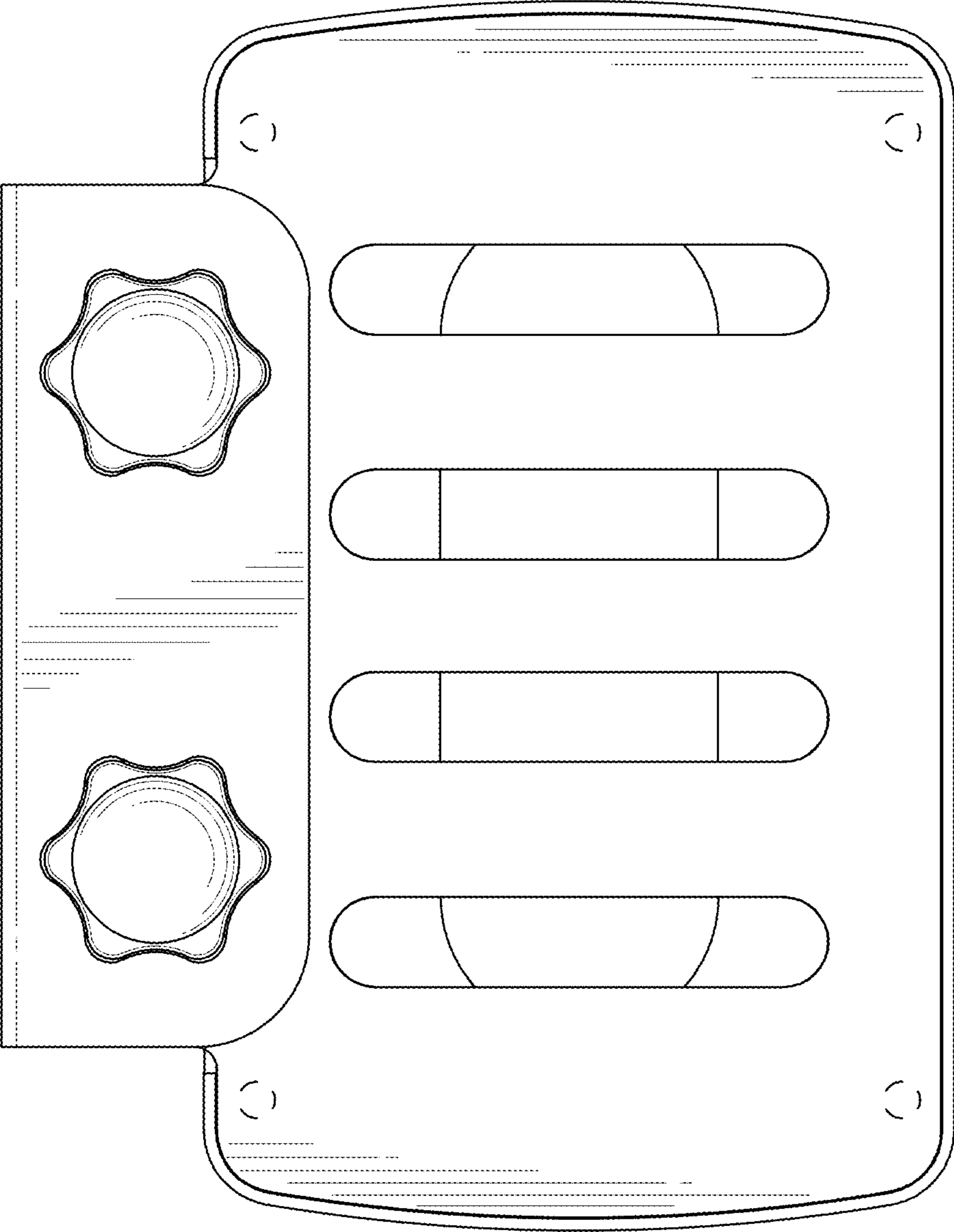


FIG. 6

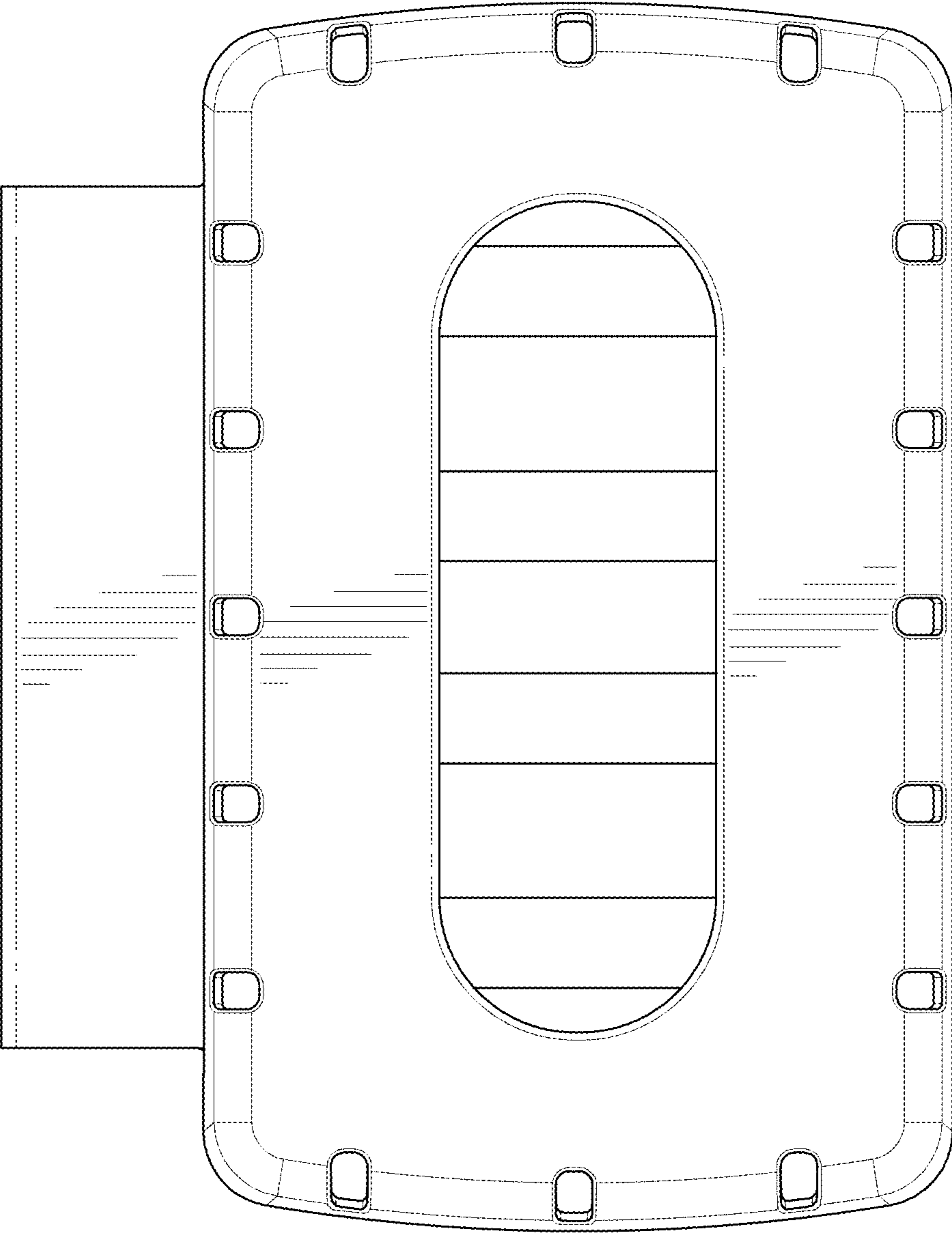


FIG. 7