



US00D953907S

(12) **United States Design Patent**
McManigal et al.

(10) **Patent No.:** **US D953,907 S**
(45) **Date of Patent:** **** Jun. 7, 2022**

(54) **VIDEO DOORBELL**

(71) Applicant: **Arlo Technologies, Inc.**, Carlsbad, CA (US)

(72) Inventors: **Scott McManigal**, Newport Beach, CA (US); **Christopher Fonzo**, Carlsbad, CA (US); **Scott Chung**, San Diego, CA (US); **Glen Oross**, San Diego, CA (US); **Beau Oyler**, Walnut Creek, CA (US); **Dayne Tanner**, Concord, CA (US)

(73) Assignee: **Arlo Technologies, Inc.**, Carlsbad, CA (US)

(**) Term: **15 Years**

(21) Appl. No.: **29/729,571**

(22) Filed: **Mar. 27, 2020**

(51) **LOC (13) Cl.** **10-05**

(52) **U.S. Cl.**
USPC **D10/118.2**

(58) **Field of Classification Search**
USPC D10/118.2, 106.6, 106.7, 106.8, 116.1, D10/118; D13/171, 174; D14/159, 358; D16/202, 203, 208, 209
CPC ... G08B 3/00; G08B 3/10; G08B 7/00; G08B 7/06; G08B 13/196; G06F 17/30; G09F 27/00

See application file for complete search history.

(56) **References Cited**

U.S. PATENT DOCUMENTS

D800,201 S * 10/2017 Song D16/202
D830,872 S * 10/2018 Jacob D10/118.2
D836,147 S * 12/2018 Rao D16/203
D839,846 S * 2/2019 Altonen D13/171
D850,314 S * 6/2019 Laurans D10/118.2

D850,315 S * 6/2019 Laurans D10/118.2
D853,264 S * 7/2019 Laurans D10/118.2
D871,483 S * 12/2019 Chang D16/203
D879,640 S * 3/2020 Jacob D10/118.2
D883,833 S * 5/2020 Jacob D10/118.2
D883,834 S * 5/2020 Jacob D10/118.2
D892,662 S * 8/2020 Wang D10/118.2
D894,774 S * 9/2020 Yu D10/118.2
D906,147 S * 12/2020 Jacob D10/118.2
D906,148 S * 12/2020 Jacob D10/118.2
D906,149 S * 12/2020 Jacob D10/118.2
D906,150 S * 12/2020 Jacob D10/118.2
D906,151 S * 12/2020 Jacob D10/118.2
D906,398 S * 12/2020 Wang D16/203
D921,510 S * 6/2021 Zeng D10/118.2
D924,712 S * 7/2021 Tseng D10/118.2
D926,067 S * 7/2021 Jacob D10/118.2

* cited by examiner

Primary Examiner — George D. Kirschbaum

Assistant Examiner — Lillian Windham

(74) *Attorney, Agent, or Firm* — Boyle Fredrickson S.C.

(57) **CLAIM**

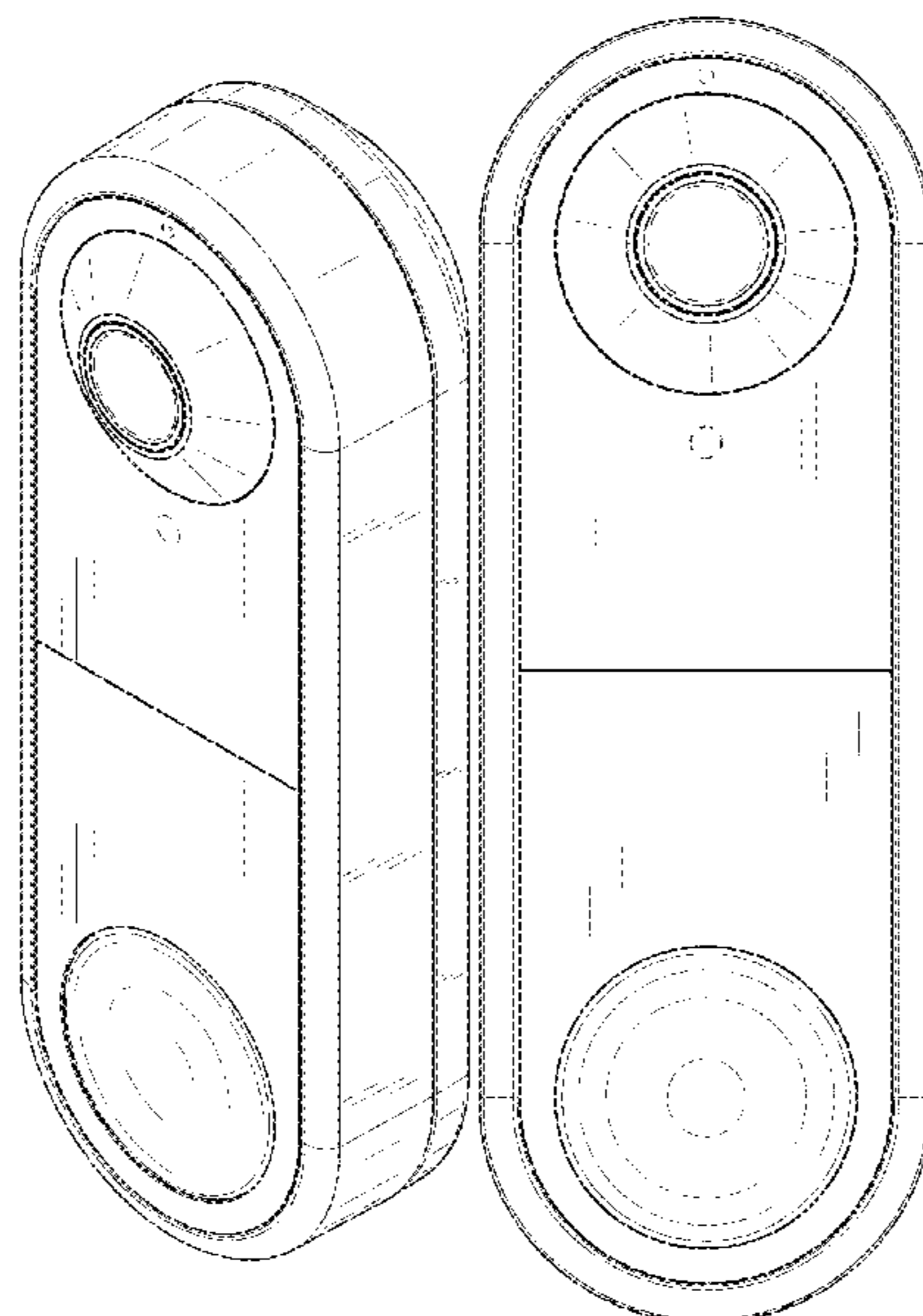
The ornamental design for a video doorbell, as shown and described.

DESCRIPTION

FIG. 1 is a top, front, right side perspective view of a video doorbell showing our new design;
FIG. 2 is a front elevation view thereof;
FIG. 3 is a rear elevation view thereof;
FIG. 4 is a right-side elevation view thereof;
FIG. 5 is a left-side elevation view thereof;
FIG. 6 is a top plan view thereof; and,
FIG. 7 is a bottom plan view thereof.

The dashed broken lines in the drawings represent unclaimed portions of the design, and the dash-dot broken lines represent boundaries of the claimed design. All of the broken lines form no part of the claimed design.

1 Claim, 7 Drawing Sheets



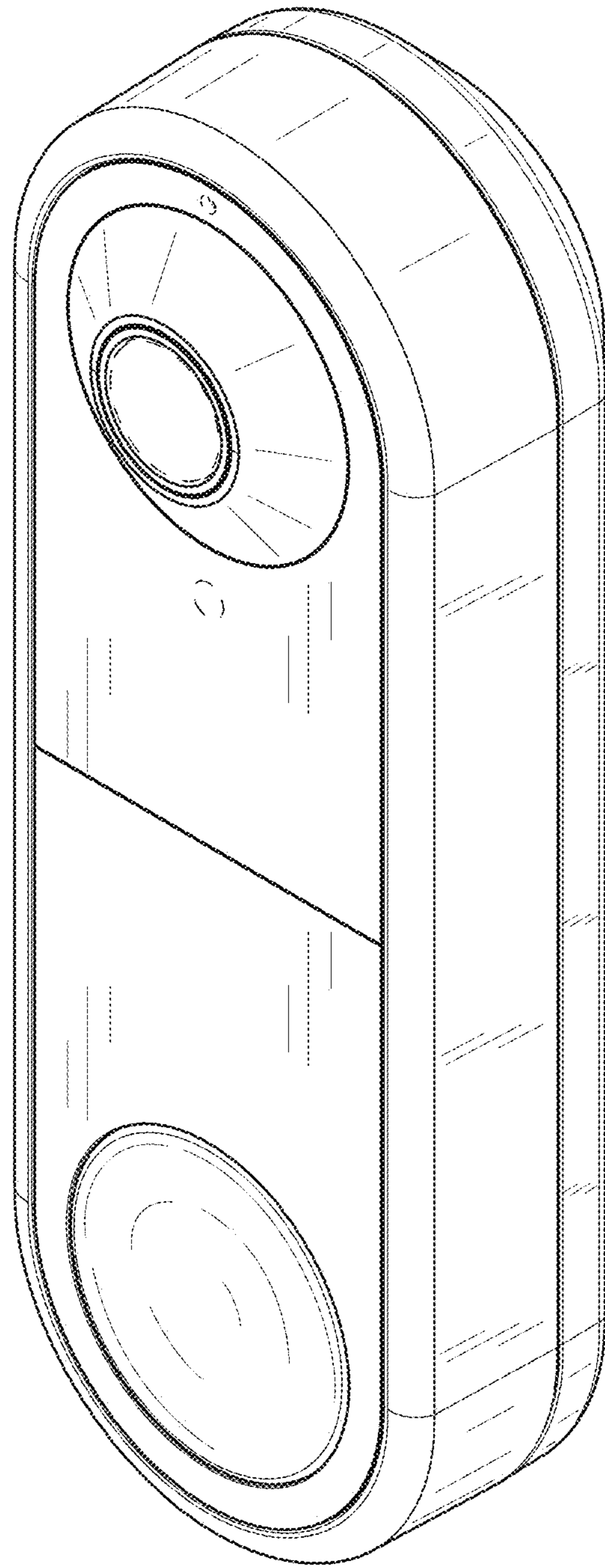


FIG. 1

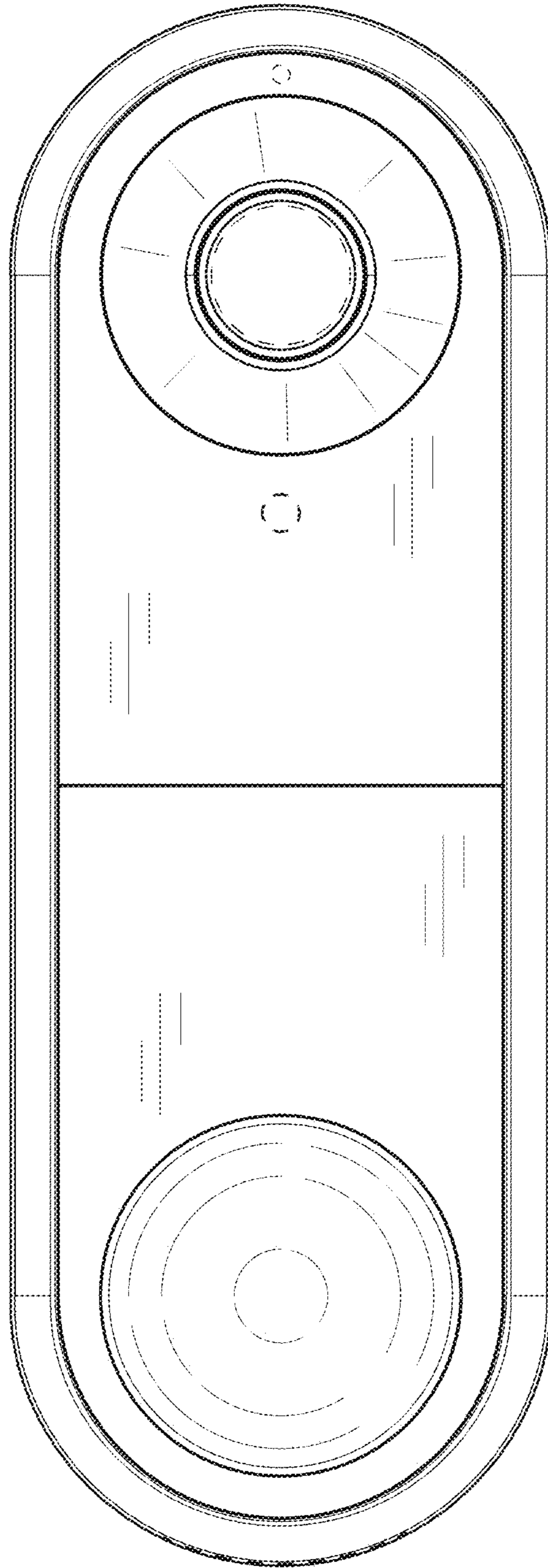


FIG. 2

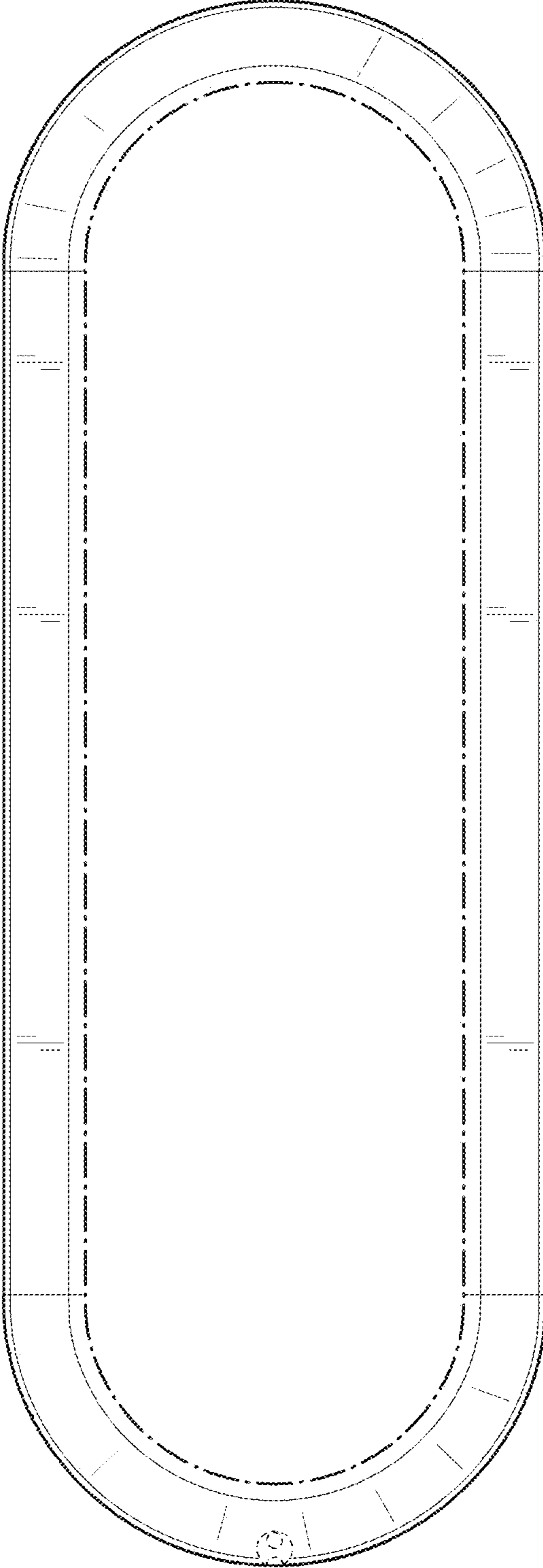


FIG. 3

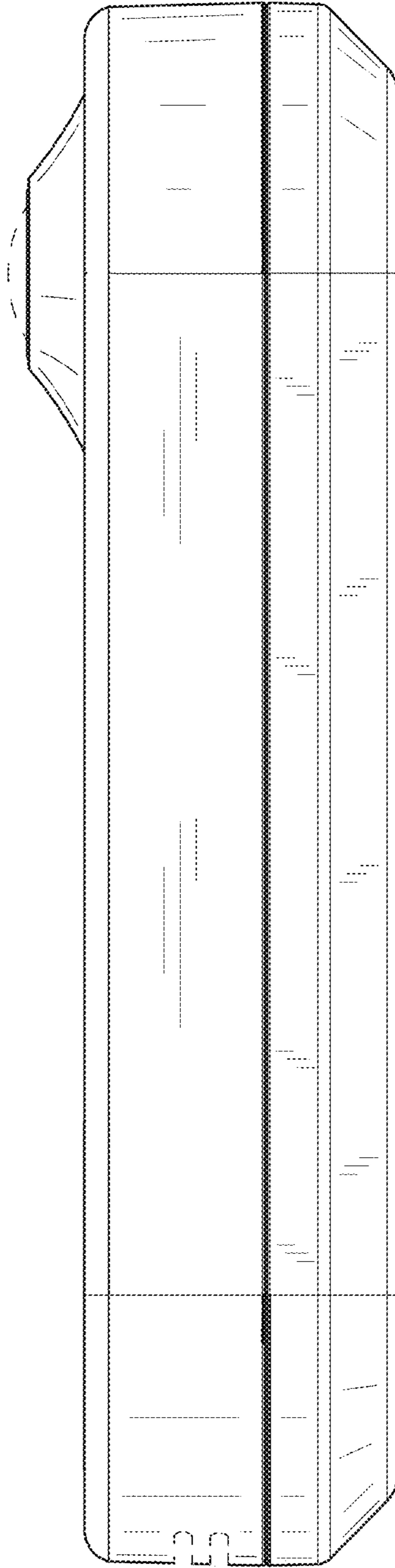


FIG. 4

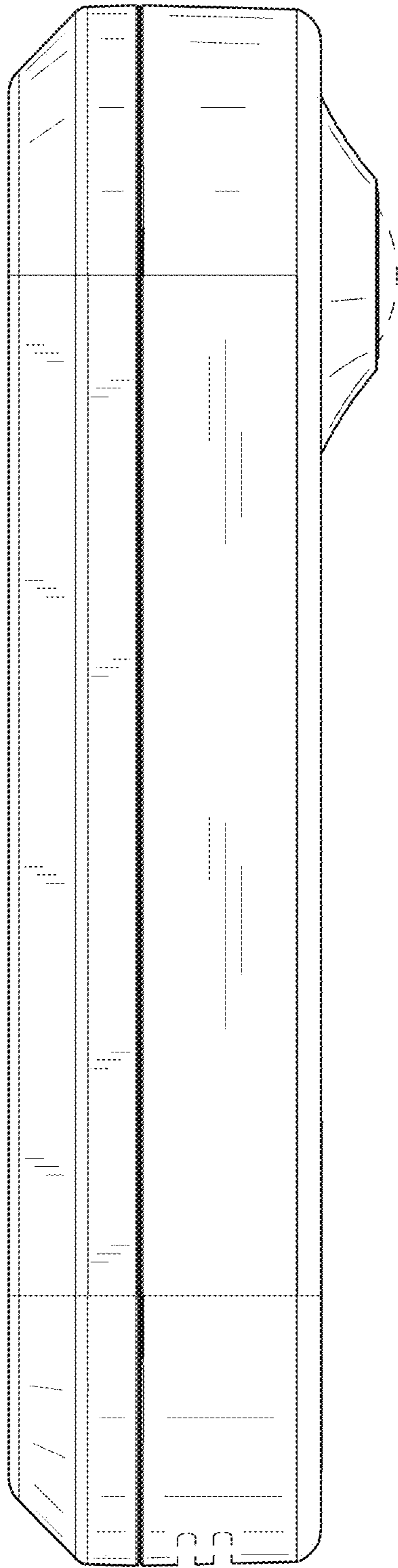


FIG. 5

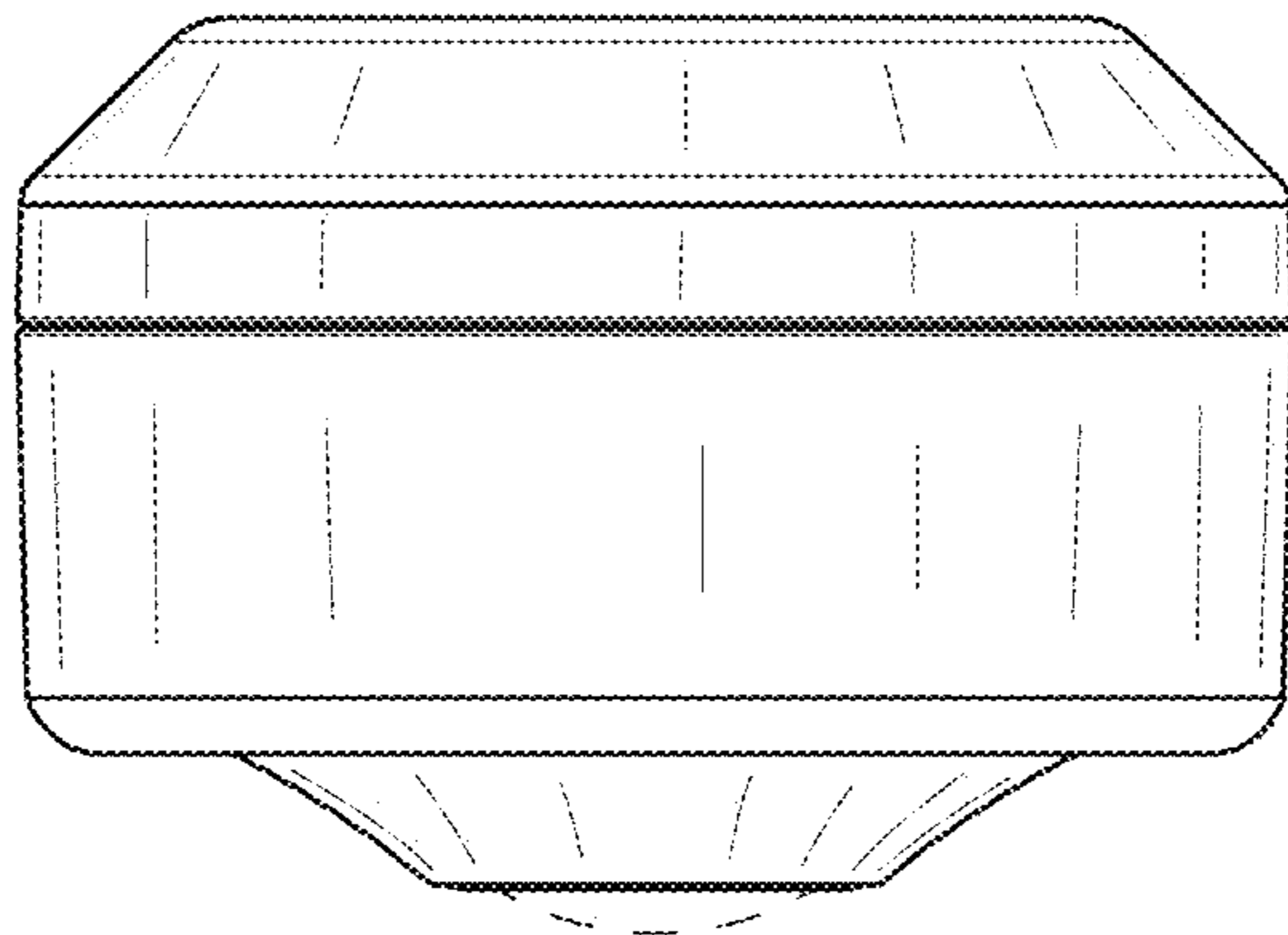


FIG. 6

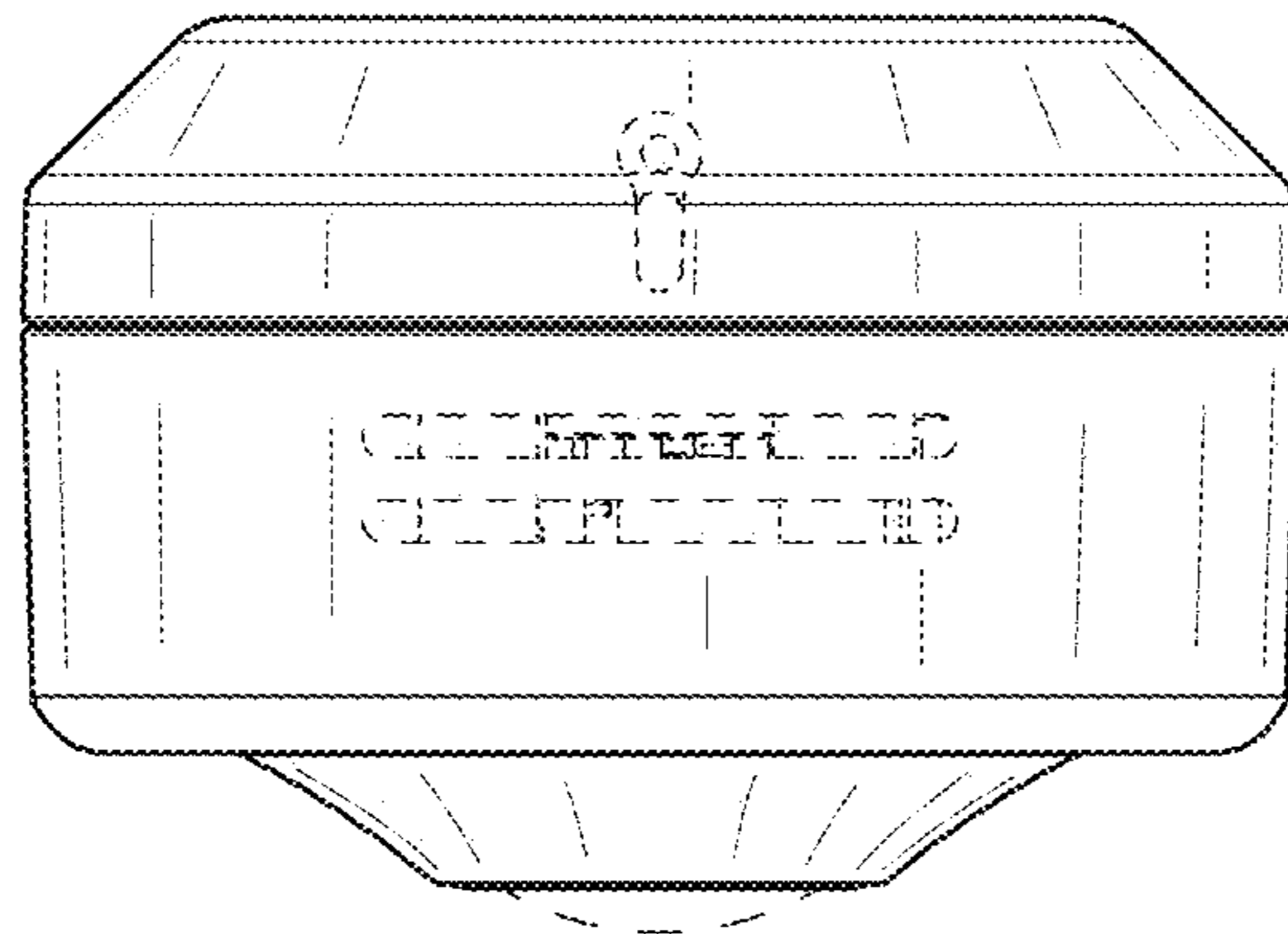


FIG. 7