



US00D953902S

(12) **United States Design Patent**  
**Hong**

(10) **Patent No.:** **US D953,902 S**  
(45) **Date of Patent:** **\*\* Jun. 7, 2022**

(54) **DIGITAL SCALE**

(71) Applicant: **Anhui UNI Electronic Technology Co., Ltd., Anhui (CN)**

(72) Inventor: **Peiguang Hong, Anhui (CN)**

(\*\*) Term: **15 Years**

(21) Appl. No.: **29/808,530**

(22) Filed: **Sep. 21, 2021**

(30) **Foreign Application Priority Data**

Apr. 25, 2021 (CN) ..... 202130239361.2

(51) **LOC (13) Cl.** ..... **10-04**

(52) **U.S. Cl.**  
USPC ..... **D10/91**

(58) **Field of Classification Search**

USPC ..... D10/83-93

CPC ..... G01G 21/28; G01G 21/00; G01G 19/414;

G01G 19/4144; G01G 19/42; G01G

23/166; G01G 21/30; G01G 23/3728;

G01G 23/3735; G01G 19/44; G01G 3/14;

G01G 19/46; G01G 19/48; G01G 19/50;

G01G 21/44; A61B 5/053; A61B 5/4872;

A61B 5/0537; A61B 5/4869; A61B

5/6825; A61B 5/6829; A61B 5/7445;

A61B 5/1072; G06Q 20/3678; G06Q

20/387; G06Q 20/065; G06Q 20/36;

G06Q 20/06; G06Q 20/208; G09B 19/00;

G16H 20/00; G16H 40/63; F16F 1/123

See application file for complete search history.

(56) **References Cited**

**U.S. PATENT DOCUMENTS**

D505,873 S \* 6/2005 Kesselman ..... D10/91

D682,129 S \* 5/2013 Kesselman ..... D10/91

D778,748 S \* 2/2017 Nugent ..... D10/94

D837,672 S \* 1/2019 Hong ..... D10/91

D842,731 S \* 3/2019 Hong ..... D10/91

D851,522 S \* 6/2019 Hong ..... D10/94

(Continued)

**FOREIGN PATENT DOCUMENTS**

CN 303799233 \* 1/2016

CN 304054150 \* 8/2016

(Continued)

**OTHER PUBLICATIONS**

ACCT, Precision Pocket Scale, Date first available Dec. 6, 2021, [online]retrieved Feb. 9, 2022, available from [https://www.amazon.com/dp/B09N36848X/ref=sspa\\_dk\\_detail\\_3?pf\\_rd\\_p=b9951ce4-3bd8-4b04-9123-0fda35d6155e&pd\\_rd\\_wg=JdAyG&pf\\_rd\\_r=NY22D4NCXAPF7ERKY915&pd\\_rd\\_w=kcNOz&pd\\_rd\\_r=521ffa1ae69493916144e7](https://www.amazon.com/dp/B09N36848X/ref=sspa_dk_detail_3?pf_rd_p=b9951ce4-3bd8-4b04-9123-0fda35d6155e&pd_rd_wg=JdAyG&pf_rd_r=NY22D4NCXAPF7ERKY915&pd_rd_w=kcNOz&pd_rd_r=521ffa1ae69493916144e7) (Year: 2021).\*

Fuzion Store, TU-X Digital Gram Scale, Date first available May 19, 2021, [online]retrieved Jan. 12, 2022, available from [https://www.amazon.com/dp/B095C4SKFL/ref=sspa\\_dk\\_detail\\_1?psc=1&pd\\_rd\\_i=B095C4SKFL&pd\\_rd\\_w=gPgZ3&pf\\_rd\\_p=54ed5474-54a8-4c7f-a88a-45f748d18166&pd\\_rd\\_wg=ptYhR&pf\\_rd\\_r=T8603EFXJFFKMHDRNDRM&p](https://www.amazon.com/dp/B095C4SKFL/ref=sspa_dk_detail_1?psc=1&pd_rd_i=B095C4SKFL&pd_rd_w=gPgZ3&pf_rd_p=54ed5474-54a8-4c7f-a88a-45f748d18166&pd_rd_wg=ptYhR&pf_rd_r=T8603EFXJFFKMHDRNDRM&p) (Year: 2021).\*

(Continued)

*Primary Examiner* — Keli L Hill

*Assistant Examiner* — Sara S Sahneh

(74) *Attorney, Agent, or Firm* — Prakash Nama; Global IP Services, PLLC

(57)

**CLAIM**

The ornamental design for a digital scale, as shown and described.

**DESCRIPTION**

FIG. 1 is a front elevational view of a digital scale showing my new design;

FIG. 2 is a rear elevational view thereof;

FIG. 3 is a left side view thereof;

FIG. 4 is a right side view thereof;

FIG. 5 is a top plan view thereof;

FIG. 6 is a bottom plan view thereof;

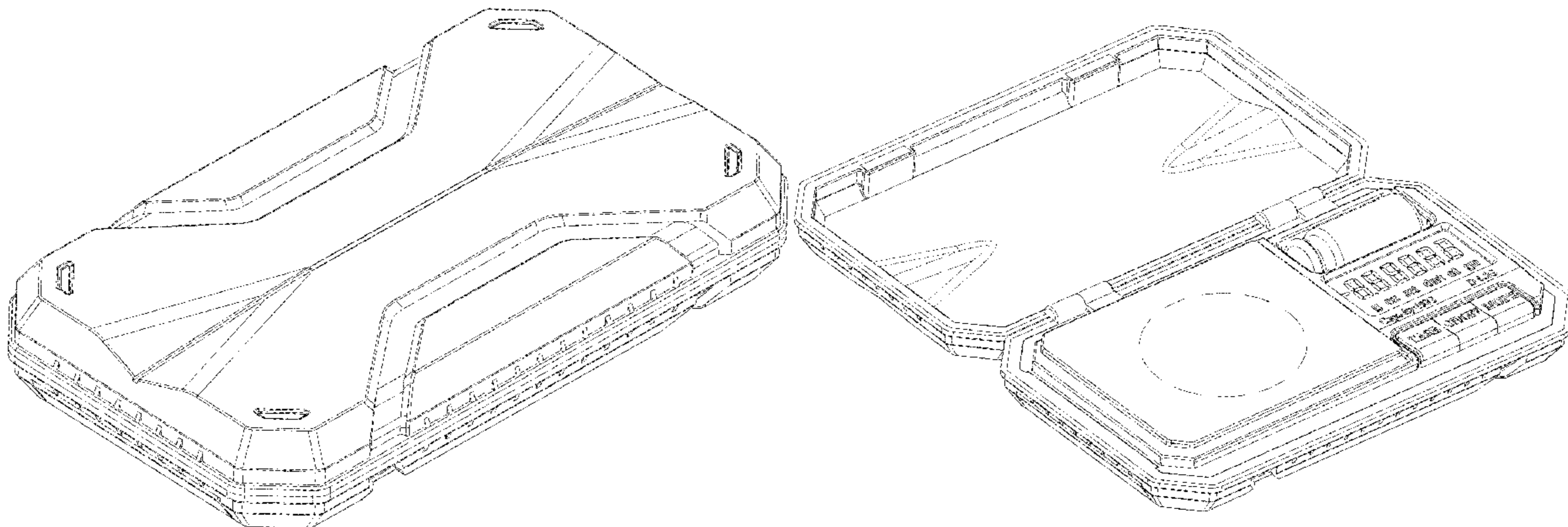
FIG. 7 is a perspective view thereof;

FIG. 8 is a perspective view thereof; and,

FIG. 9 is a perspective view in an alternative configuration.

The broken lines shown in digital scale form no part of the claimed design.

**1 Claim, 8 Drawing Sheets**



(56)

**References Cited**

U.S. PATENT DOCUMENTS

D869,314 S \* 12/2019 Ma ..... D10/91  
 D894,768 S \* 9/2020 Ma ..... D10/91  
 D897,875 S \* 10/2020 Ma ..... D10/91  
 D925,382 S \* 7/2021 Jiang ..... D10/91  
 D926,611 S \* 8/2021 Hong ..... D10/91  
 D935,925 S \* 11/2021 Qiu ..... D10/91  
 2017/0108371 A1 \* 4/2017 Pan ..... G01G 21/28

FOREIGN PATENT DOCUMENTS

CN 304541077 \* 9/2017  
 CN 306260895 \* 8/2020  
 EM 006315230-0001 \* 3/2019  
 EM 008526271-0010 \* 4/2021  
 GB 9007818331-0001 \* 4/2020

OTHER PUBLICATIONS

Uniweigh ,Travel Digital Pocket Scale, Date first available Oct. 23, 2021, [online]retrieved Feb. 9, 2022,available from [https://www.amazon.com/dp/B09NN44QQ1/ref=sspa\\_dk\\_detail\\_8?pf\\_rd\\_p=b9951ce4-3bd8-4b04-9123-0fda35d6155e&pd\\_rd\\_wg=JdAyG&pf\\_rd\\_r=NY22D4NCXAPF7ERKY915&pd\\_rd\\_w=kcNOz&pd\\_rd\\_r=521ffa1a-e6aa](https://www.amazon.com/dp/B09NN44QQ1/ref=sspa_dk_detail_8?pf_rd_p=b9951ce4-3bd8-4b04-9123-0fda35d6155e&pd_rd_wg=JdAyG&pf_rd_r=NY22D4NCXAPF7ERKY915&pd_rd_w=kcNOz&pd_rd_r=521ffa1a-e6aa) (Year: 2021).\*

Precision Store,Pocket Scale,Date first available Dec. 18, 2020, [online]retrieved Feb. 9, 2022,available from [https://www.amazon.com/dp/B08G1D895N/ref=sspa\\_dk\\_detail\\_2?psc=1&pd\\_rd\\_i=B08G1D895N&pd\\_rd\\_w=Q10zZ&pf\\_rd\\_p=9fd3ea7c-b77c-42ac-b43b-c872d3f37c38&pd\\_rd\\_wg=fB8DP&pf\\_rd\\_r=H38AFXSRMQGE8D3AQG2J&pd\\_rd](https://www.amazon.com/dp/B08G1D895N/ref=sspa_dk_detail_2?psc=1&pd_rd_i=B08G1D895N&pd_rd_w=Q10zZ&pf_rd_p=9fd3ea7c-b77c-42ac-b43b-c872d3f37c38&pd_rd_wg=fB8DP&pf_rd_r=H38AFXSRMQGE8D3AQG2J&pd_rd) (Year: 2020).\*

\* cited by examiner

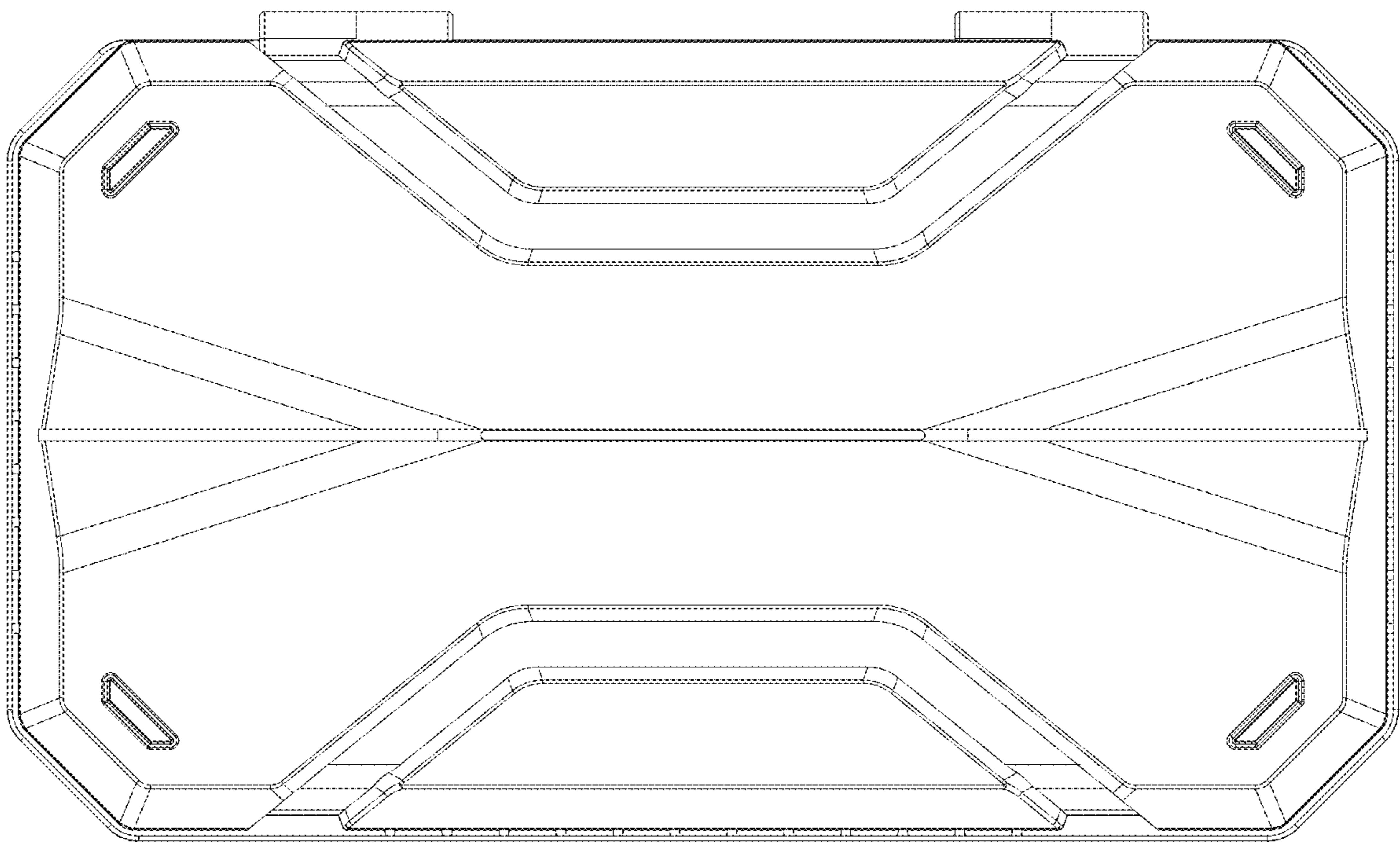


FIG. 1

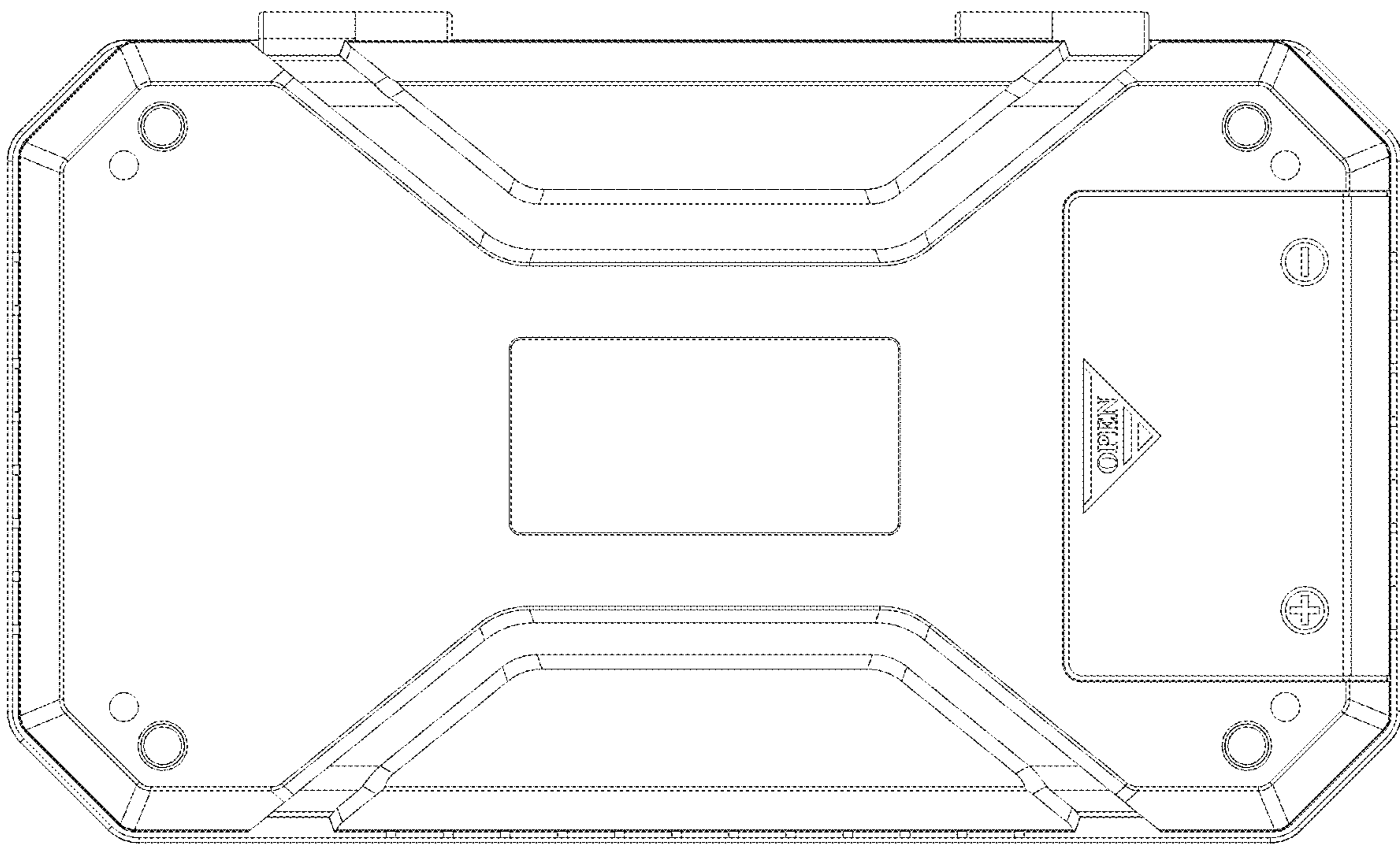


FIG. 2

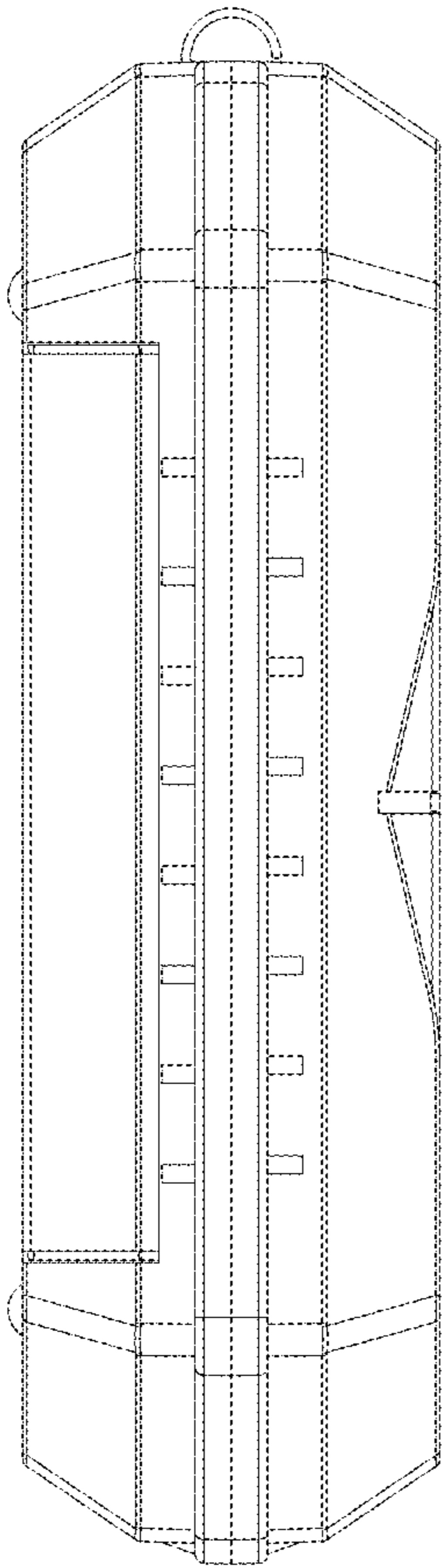


FIG. 3

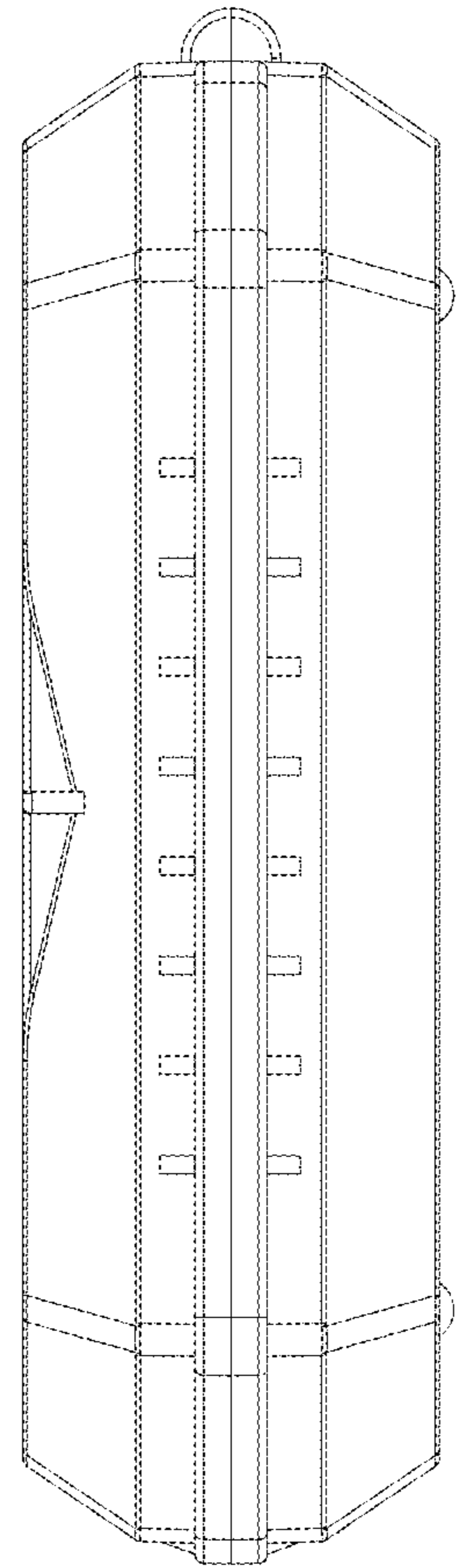


FIG. 4

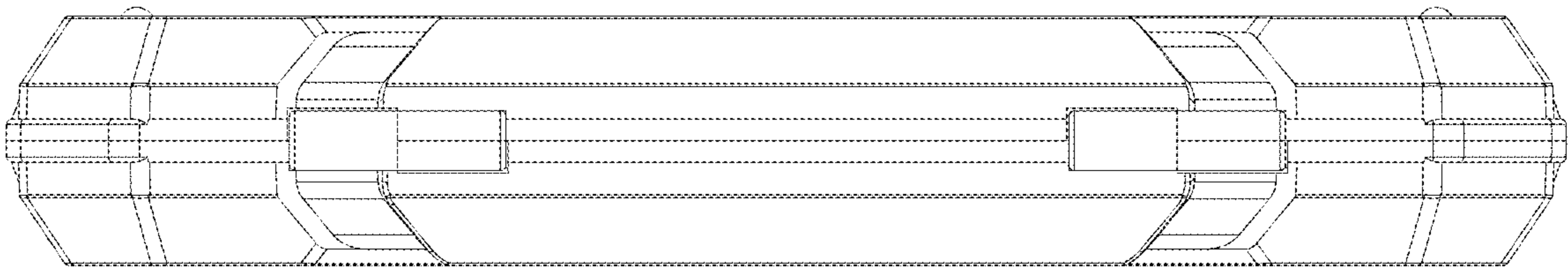


FIG. 5

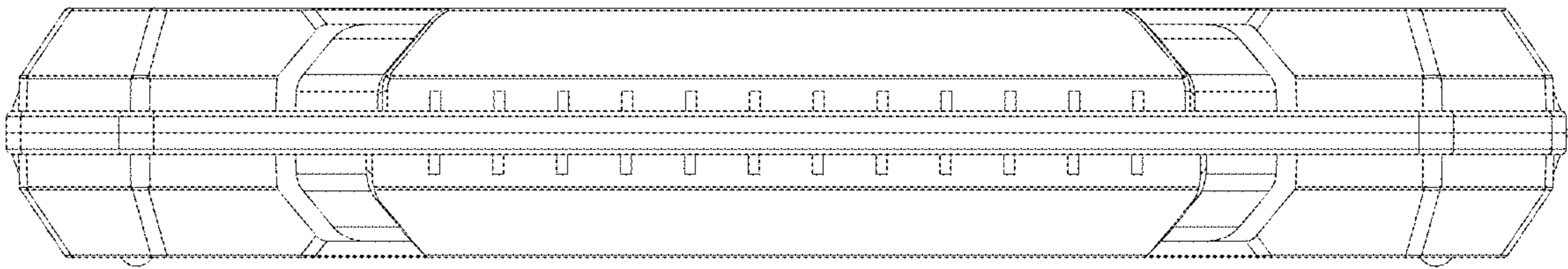


FIG. 6

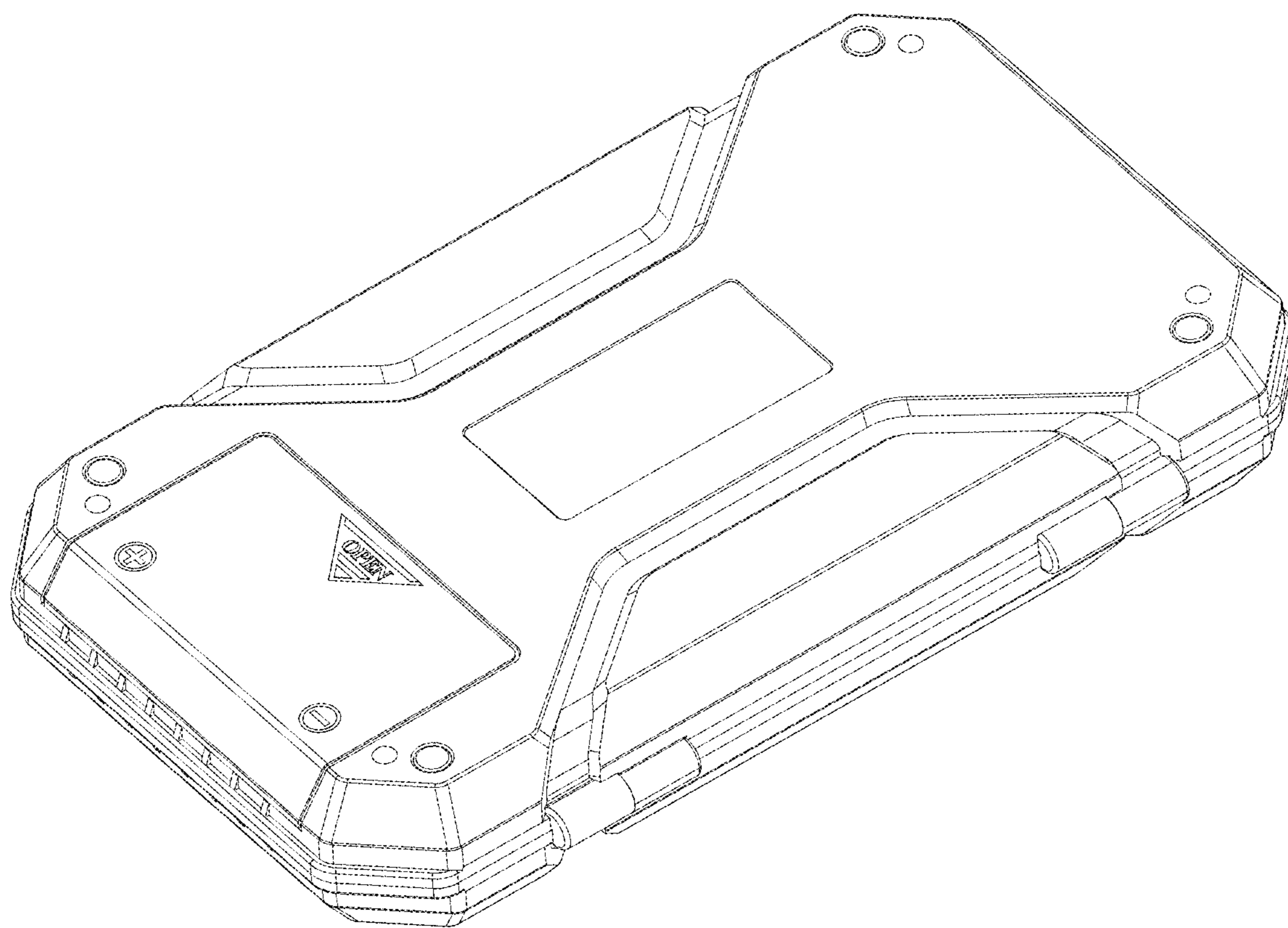


FIG. 7



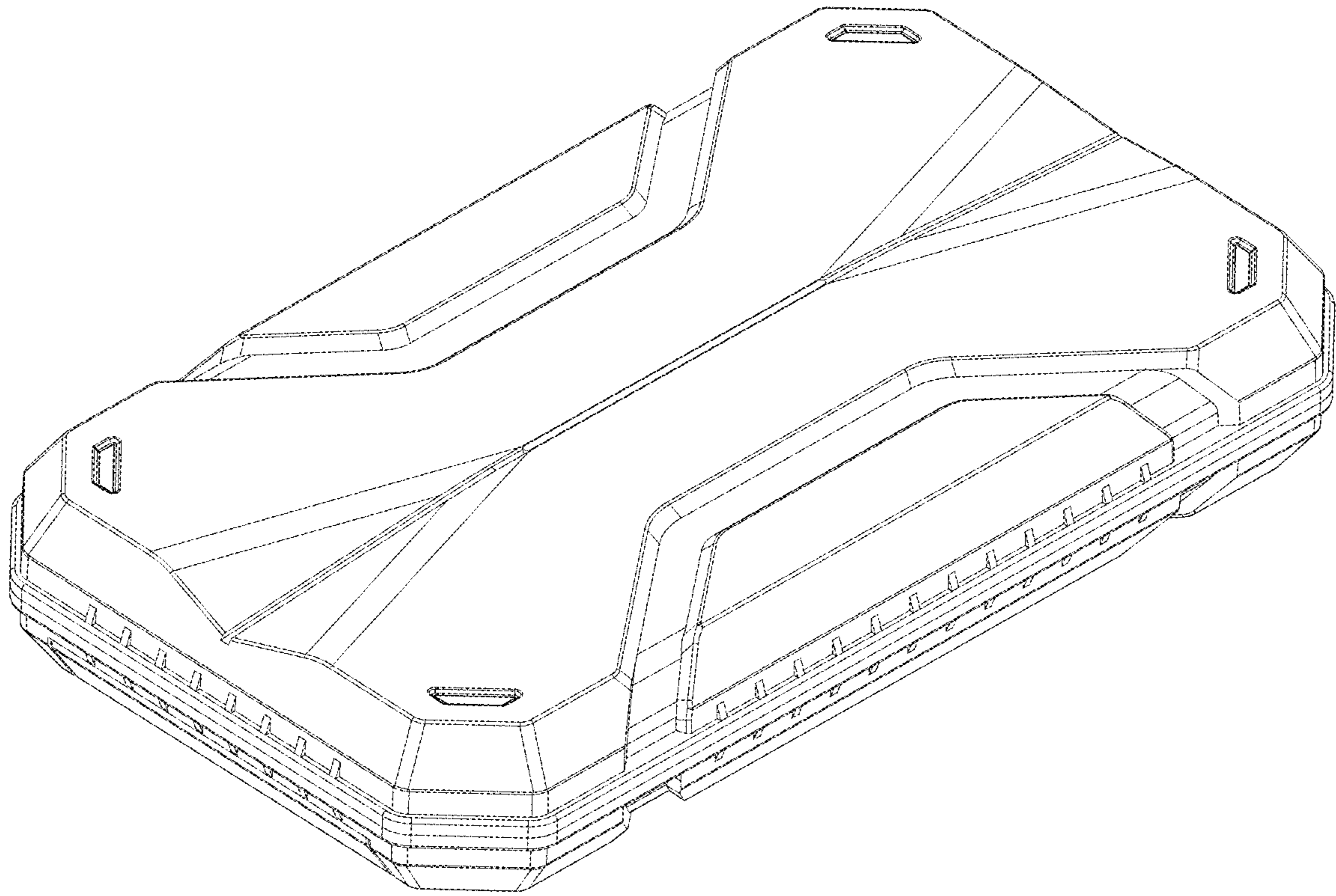


FIG. 8

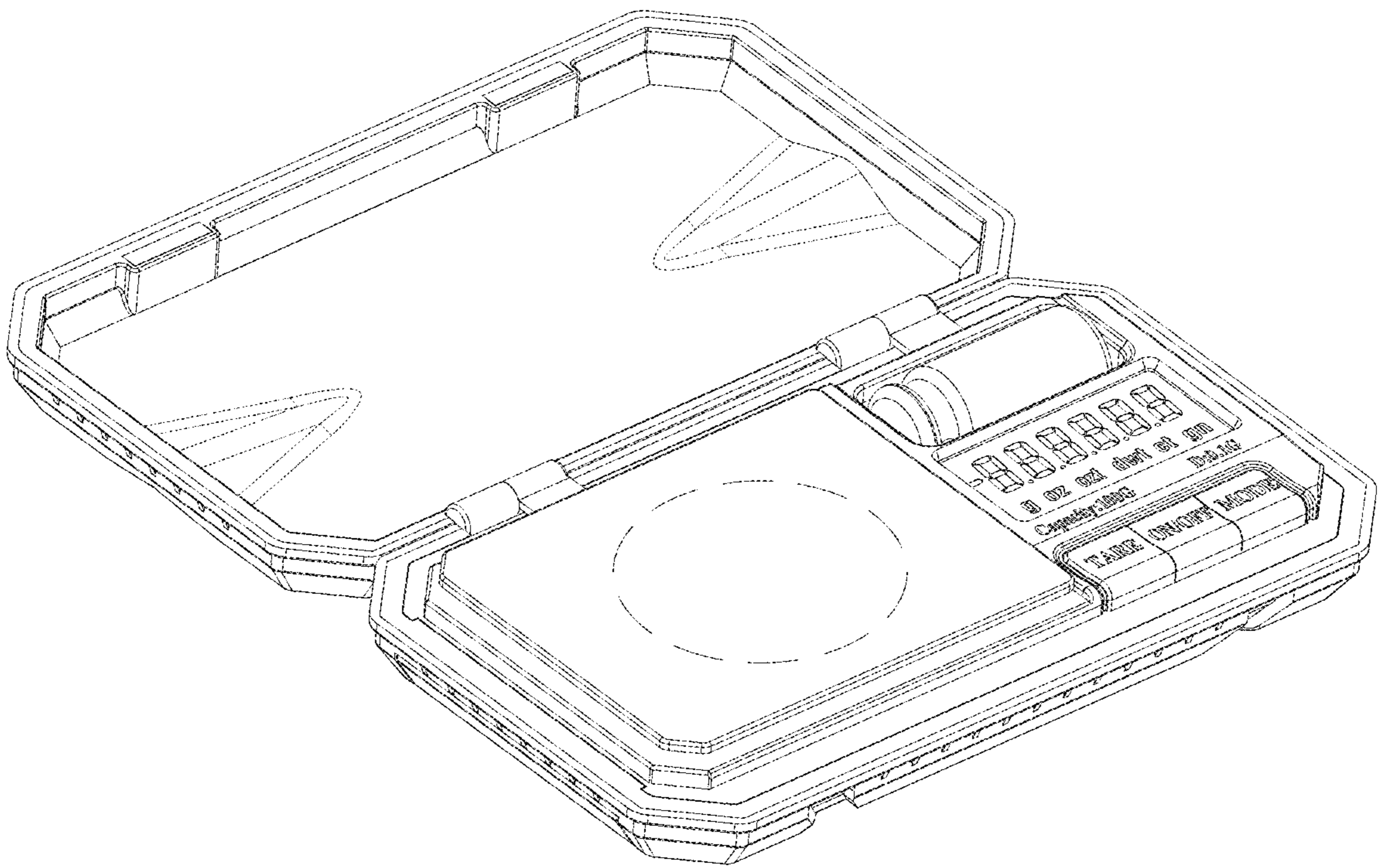


FIG. 9