



US00D953901S

(12) **United States Design Patent**
Cound et al.

(10) **Patent No.:** **US D953,901 S**
(45) **Date of Patent:** **** Jun. 7, 2022**

(54) **PASSIVE INFRARED SENSOR**

(71) Applicant: **TEXECOM LIMITED**, Haslingden (GB)

(72) Inventors: **Shelby Cound**, Sheffield (GB); **Jan Hon Wong**, Stretford (GB); **Carl Stone**, Levenshulme (GB)

(73) Assignee: **TEXECOM LIMITED**, Haslingden (GB)

(**) Term: **15 Years**

(21) Appl. No.: **29/740,318**

(22) Filed: **Jul. 2, 2020**

21/0261; G08B 21/0263; G08B 21/0266; G08B 21/0269; G08B 21/0272; G08B 21/0275; G08B 21/0277; G08B 21/028; G08B 21/0283; G08B 21/0286; G08B 21/0288; G08B 21/0291; G08B 21/0194; G08B 21/0297; G08B 21/04; G08B 21/0407; G08B 21/0415; G08B 21/0423; G08B 21/043; G08B 21/0438; G08B 21/0446; G08B 21/0453; G08B 21/0461; G08B 21/0469; G08B 21/0476; G08B 21/0484; G08B 21/0492; G08B 21/06; G08B 21/08; G08B 21/082; G08B 21/084; G08B 21/086; G08B 21/088; G08B 21/10; G08B 21/12; G08B 21/14; G08B 21/16; G08B 21/18; G08B 21/182;
(Continued)

Related U.S. Application Data

(62) Division of application No. 29/674,161, filed on Dec. 19, 2018, now Pat. No. Des. 890,002.

(51) **LOC (13) Cl.** **10-04**

(52) **U.S. Cl.**
USPC **D10/70; D10/106.6**

(58) **Field of Classification Search**
USPC D10/70, 106.6
CPC G01V 8/20; G08B 13/1645; G08B 13/16; G08B 13/1609; G08B 13/1627; G08B 13/1618; G08B 13/1636; G08B 13/1654; G08B 13/1663; G08B 13/1672; G08B 13/1681; G08B 13/16169; G08B 13/181; G08B 13/183; G08B 13/184; G08B 13/186; G08B 13/187; G08B 13/189; G08B 13/1895; G08B 13/19; G08B 13/191; G08B 13/193; G08B 17/12; G08B 21/00; G08B 21/02; G08B 21/0202; G08B 21/0205; G08B 21/0208; G08B 21/0211; G08B 21/0213; G08B 21/0216; G08B 21/0219; G08B 21/0222; G08B 21/0225; G08B 21/0227; G08B 21/023; G08B 21/0233; G08B 21/0236; G08B 21/0238; G08B 21/0241; G08B 21/0244; G08B 21/0247; G08B 21/025; G08B 21/0252; G08B 21/0258; G08B

(56) **References Cited**

U.S. PATENT DOCUMENTS

D557,624 S 12/2007 Coster
D722,983 S 2/2015 Paredes
(Continued)

Primary Examiner — Antoine Duval Davis

(74) *Attorney, Agent, or Firm* — Schwabe, Williamson & Wyatt, PC

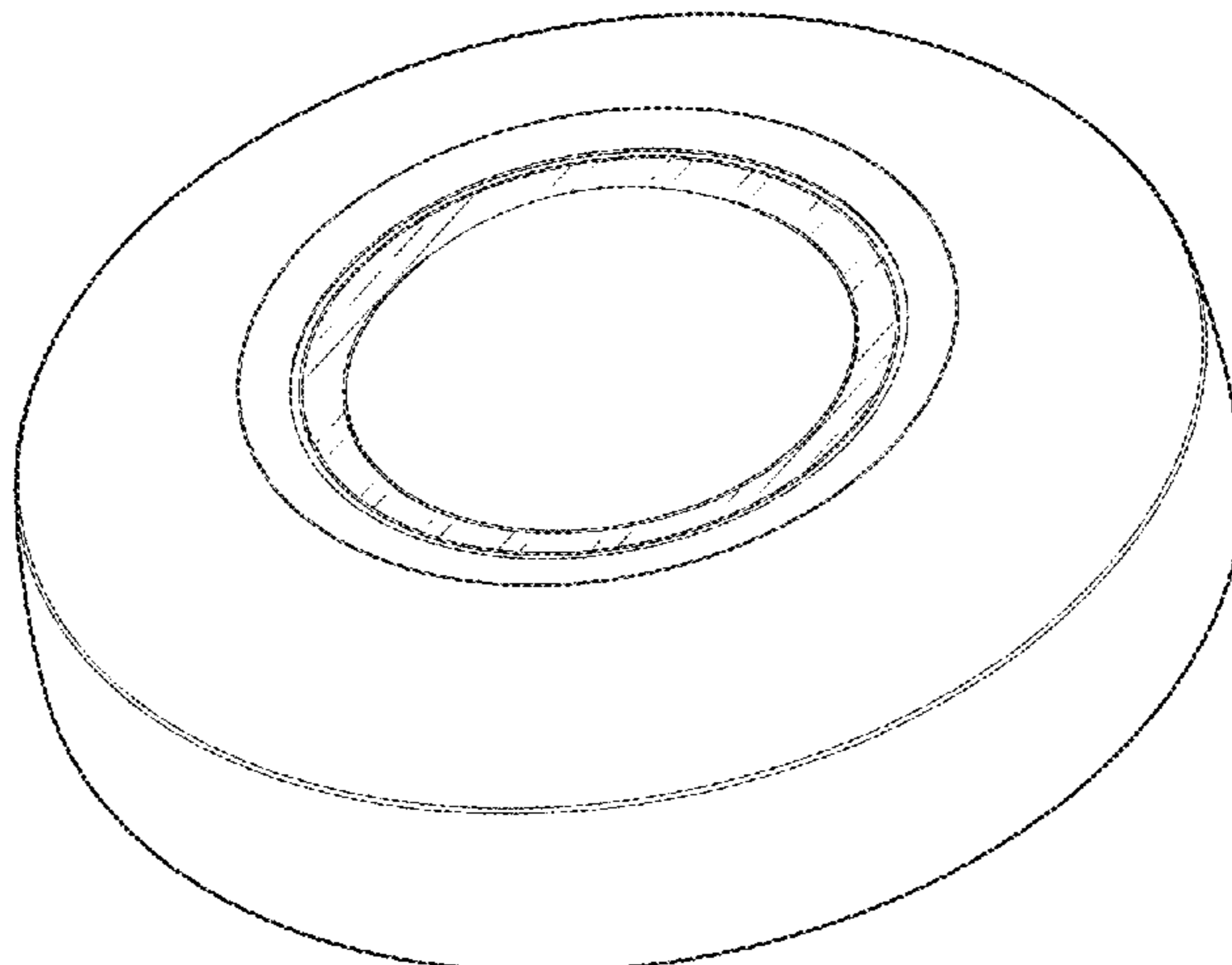
(57) **CLAIM**

We claim the ornamental design for a passive infrared sensor, as shown and described.

DESCRIPTION

FIG. 1 is a perspective view of a passive infrared sensor, showing our design;
FIG. 2 is a front view thereof;
FIG. 3 is a back view thereof;
FIG. 4 is a top view thereof;
FIG. 5 is a bottom view thereof;
FIG. 6 is a left side view thereof; and,
FIG. 7 is a right side view thereof.

1 Claim, 7 Drawing Sheets



(58) **Field of Classification Search**

CPC G08B 21/185; G08B 21/187; G08B 21/20;
 G08B 21/22; G08B 21/24; G08B 21/245;
 G08B 23/00; G08B 13/00; G08B 13/02;
 G08B 13/04; G08B 13/06; G08B 13/08;
 G08B 13/10; G08B 13/12; G08B 13/122;
 G08B 13/124; G08B 13/126; G08B
 13/028; G08B 13/14; G08B 13/1409;
 G08B 13/1418; G08B 13/1427; G08B
 13/1436; G08B 13/1445; G08B 13/1454;
 G08B 13/1463; G08B 13/1472; G08B
 13/1481; G08B 13/149; G08B 13/169;
 G08B 13/18; G08B 13/194; G08B
 13/196; G08B 13/19602; G08B 13/19604;
 G08B 13/19606; G08B 13/19608; G08B
 13/1961; G08B 13/19613; G08B
 13/19615; G08B 13/19617; G08B
 13/19619; G08B 13/19621; G08B
 13/19623; G08B 13/19626; G08B
 13/19628; G08B 13/1963; G08B
 13/19632; G08B 13/19634; G08B
 13/19636; G08B 13/19639; G08B
 13/19641; G08B 13/19643; G08B
 13/19645; G08B 13/19647; G08B
 13/1965; G08B 13/19652; G08B
 13/19654; G08B 13/19656; G08B
 13/19658; G08B 13/1966; G08B
 13/19663; G08B 13/19665; G08B
 13/19667; G08B 13/19669; G08B
 13/19671; G08B 13/19673; G08B
 13/19676; G08B 13/19678; G08B
 13/1968; G08B 13/19682; G08B
 13/19684; G08B 13/19686; G08B
 13/19689; G08B 13/19691; G08B

13/19693; G08B 13/19695; G08B
 13/19697; G08B 13/20; G08B 13/22;
 G08B 13/24; G08B 13/2402; G08B
 13/2405; G08B 13/2408; G08B 13/2411;
 G08B 13/2414; G08B 13/2417; G08B
 13/242; G08B 13/2422; G08B 13/2425;
 G08B 13/2428; G08B 13/2431; G08B
 13/2434; G08B 13/2437; G08B 13/244;
 G08B 13/2442; G08B 13/2445; G08B
 13/2448; G08B 13/2451; G08B 13/2454;
 G08B 13/2457; G08B 13/246; G08B
 13/2462; G08B 13/2465; G08B 13/2468;
 G08B 13/2471; G08B 13/2474; G08B
 13/2477; G08B 13/248; G08B 13/2482;
 G08B 13/2485; G08B 13/2488; G08B
 13/2491; G08B 13/2494; G08B 13/2497;
 G08B 13/26; H03K 17/941; H03K
 2017/9455; H03K 17/9505; H03K
 17/9622; H03K 17/9627; H05B 37/0227;
 G01P 13/00; G01P 13/0006; G01P
 13/0013; G01P 13/002; G01P 13/0026;
 G01P 13/0033; G01P 13/004; G01P
 13/0046; G01P 13/0053; G01P 13/006;
 G01P 13/0066; G01P 13/0073; G01P
 13/008; G01P 13/0086; G01P 13/0093

See application file for complete search history.

(56)

References Cited

U.S. PATENT DOCUMENTS

D725,049 S	3/2015	Paredes
D788,603 S	6/2017	Liu
D848,293 S	5/2019	Laurans
D876,255 S	2/2020	Moller
D890,002 S	7/2020	Cound

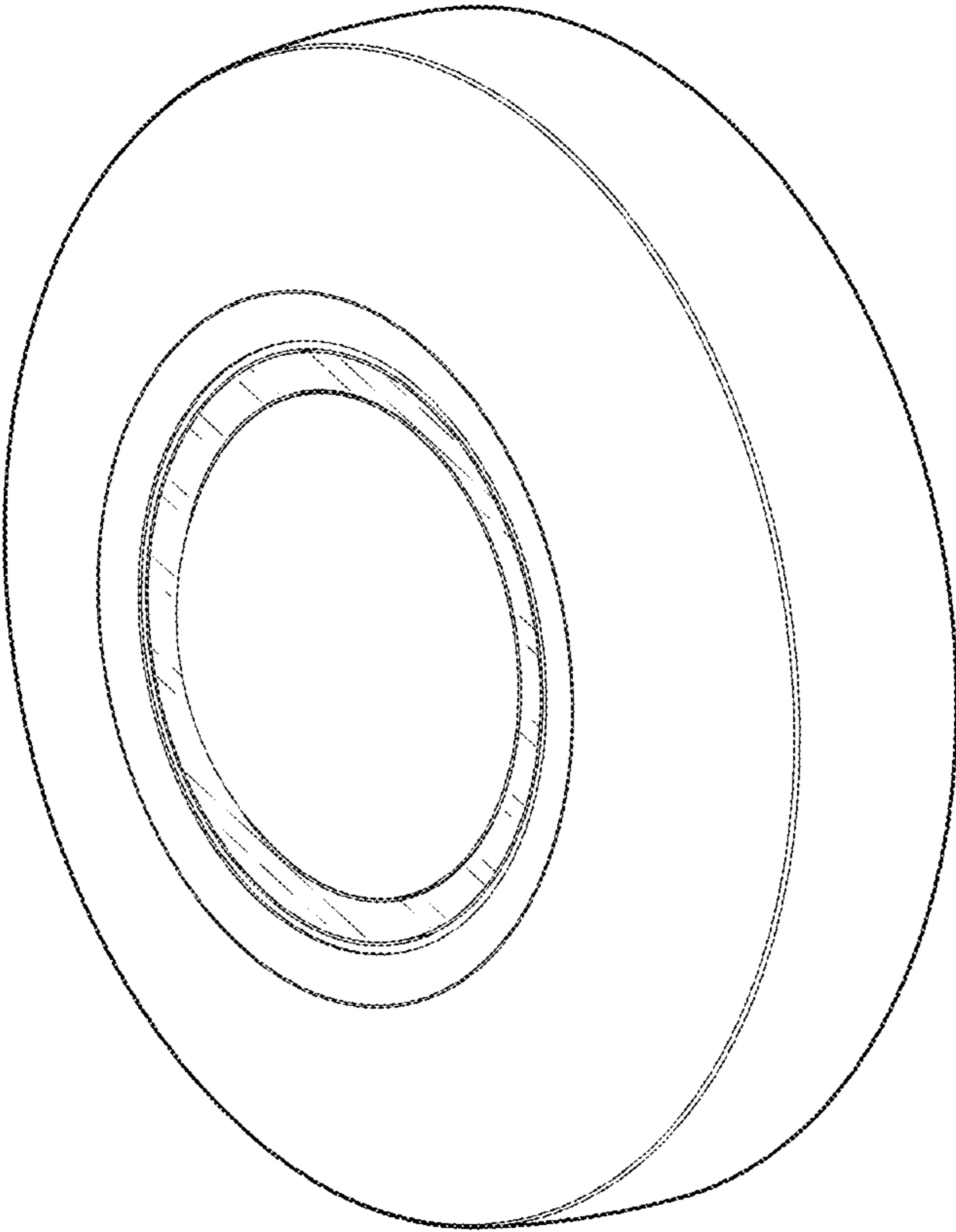


FIG. 1

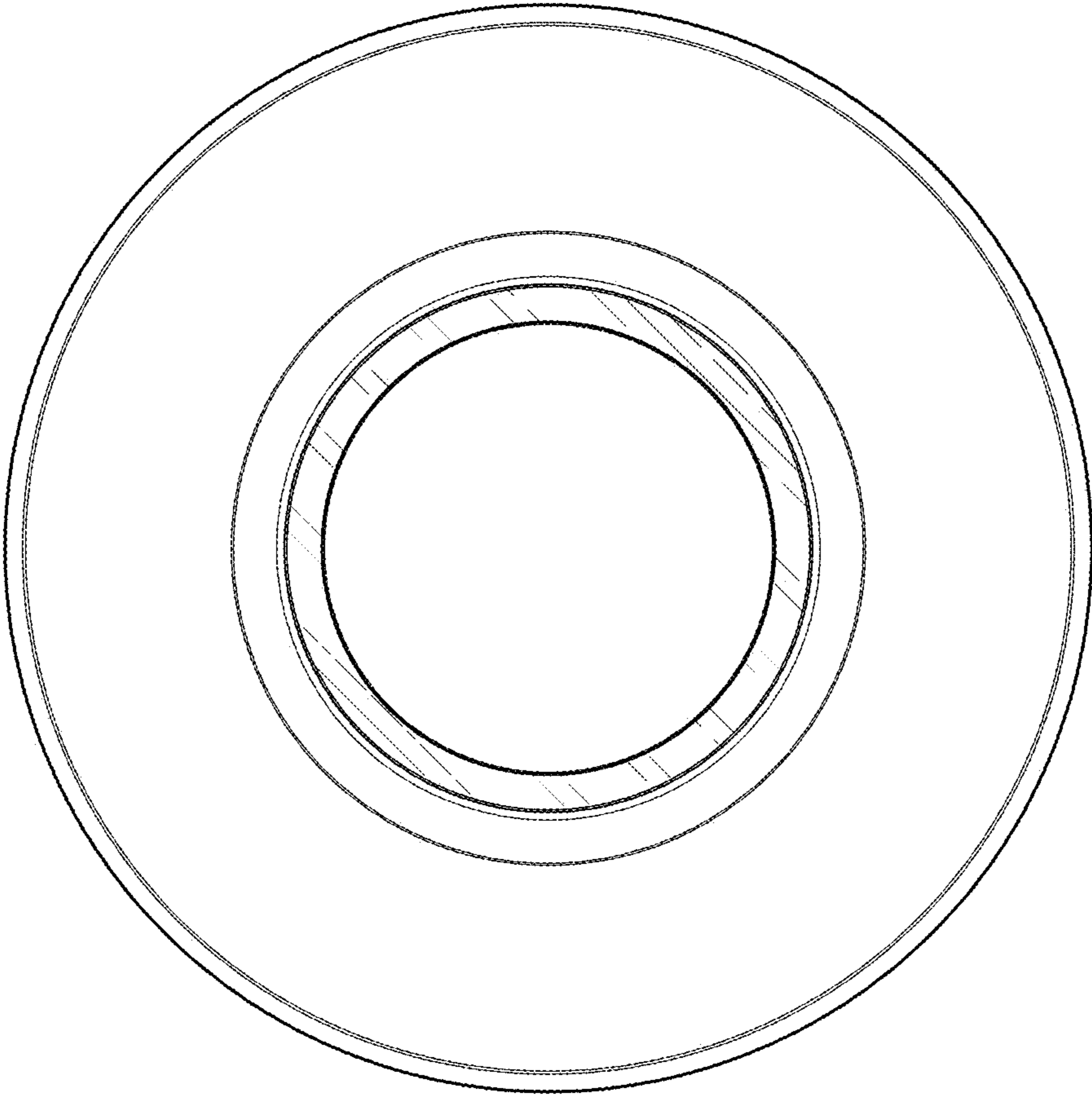


FIG. 2

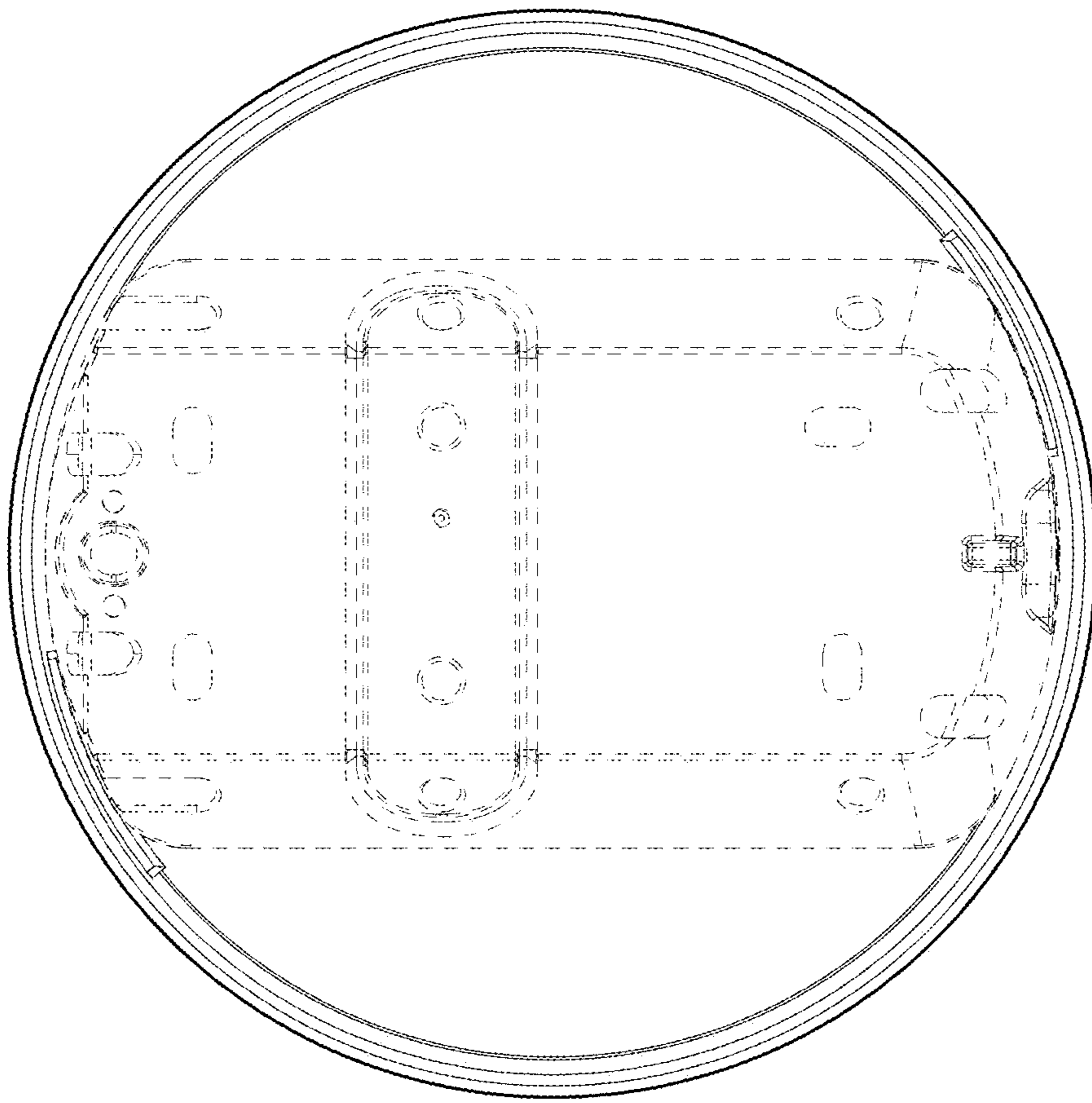


FIG. 3

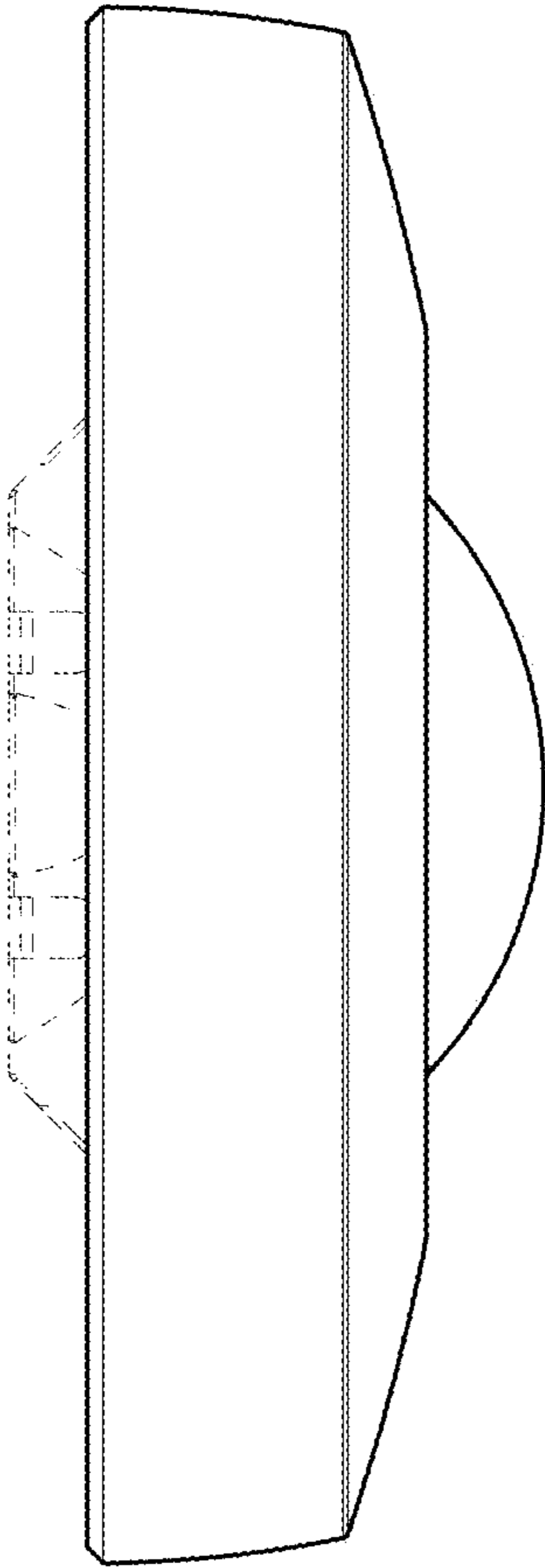


FIG. 4

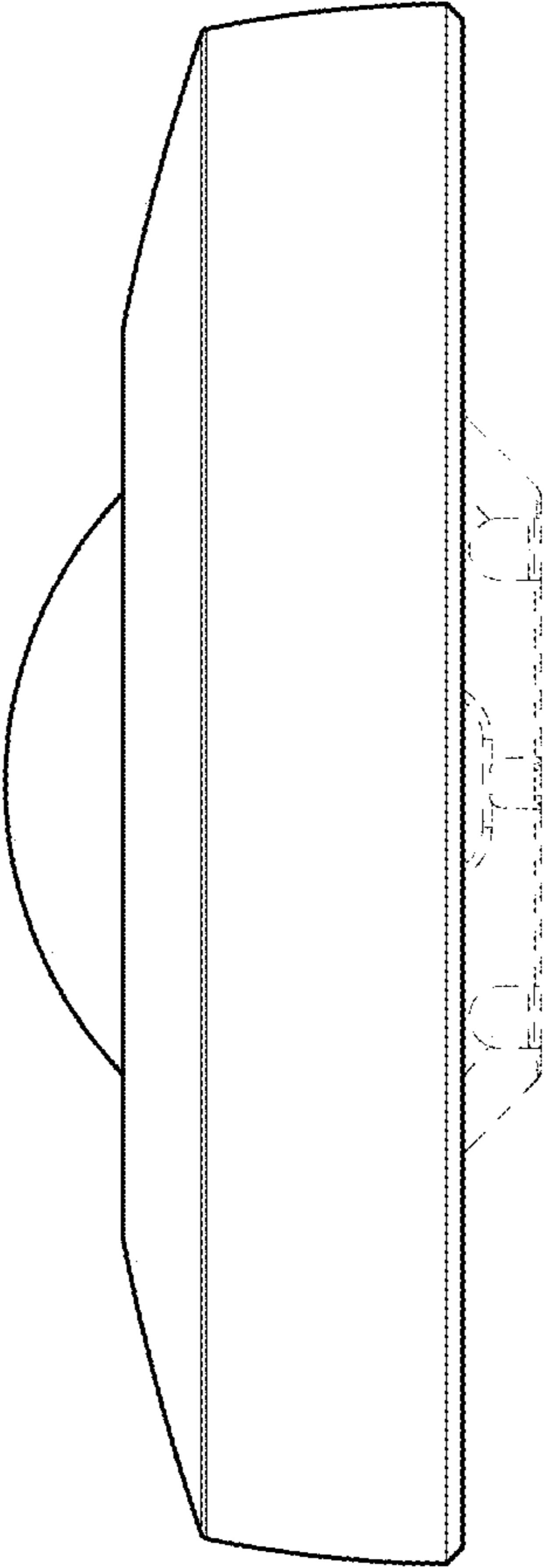


FIG. 5

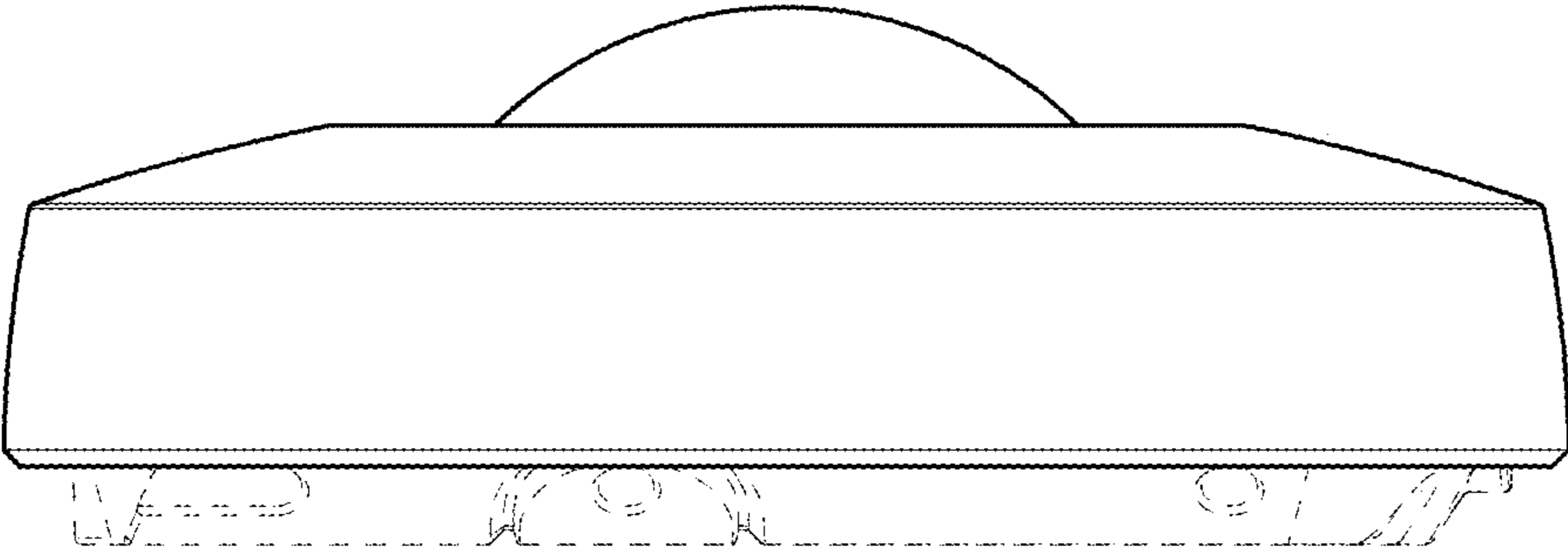


FIG. 6

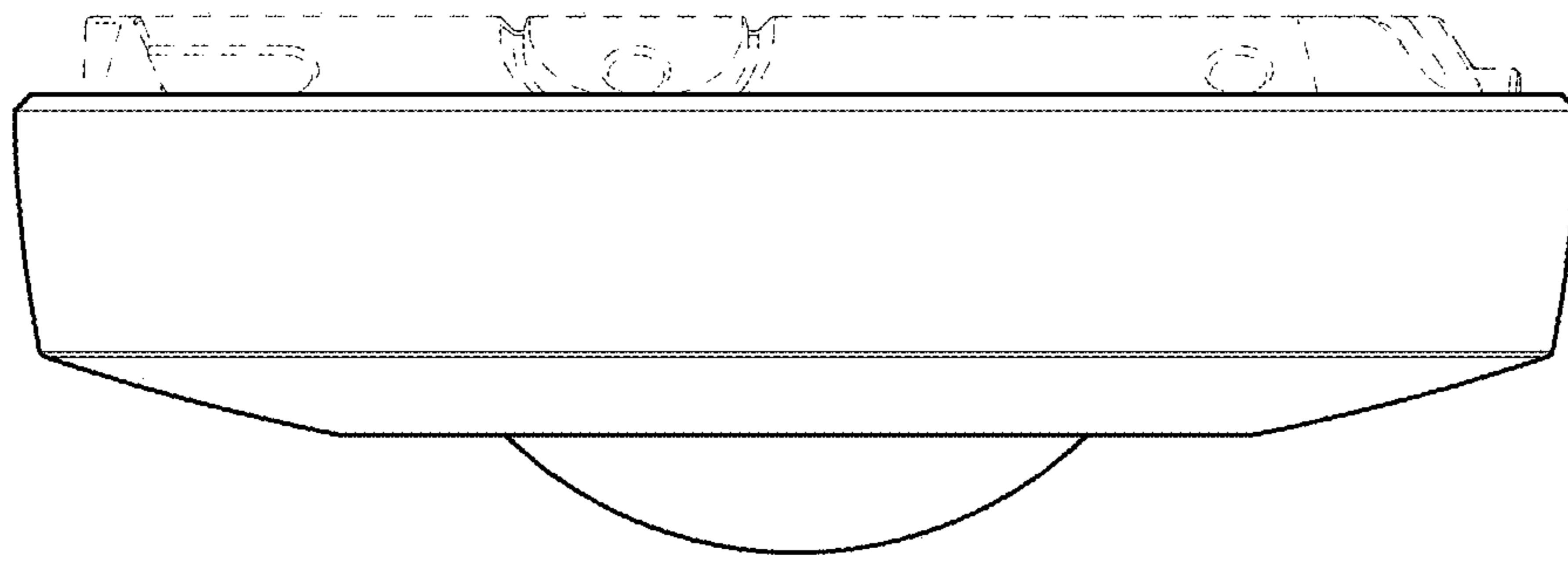


FIG. 7