



US00D953899S

(12) **United States Design Patent**
Tan

(10) **Patent No.:** **US D953,899 S**

(45) **Date of Patent:** **** Jun. 7, 2022**

(54) **MEAT THERMOMETER**

(71) Applicant: **SHENZHEN HONGKANG INTERNATIONAL ELECTRONIC TECHNOLOGY CO., LTD.**, Shenzhen (CN)

(72) Inventor: **Zhiling Tan**, Nanchang (CN)

(73) Assignee: **SHENZHEN HONGKANG INTERNATIONAL ELECTRONIC TECHNOLOGY CO., LTD.**, Shenzhen (CN)

(**) Term: **15 Years**

(21) Appl. No.: **29/803,526**

(22) Filed: **Aug. 13, 2021**

(51) **LOC (13) Cl.** **10-04**

(52) **U.S. Cl.**
USPC **D10/57**

(58) **Field of Classification Search**
USPC D10/57
CPC G01K 2207/02; G01K 2207/04; G01K 2207/06; G01K 2207/08; G01K 13/00; G01K 1/024; G01K 7/16; A47J 37/0786; A47J 36/321; A47J 2202/00
See application file for complete search history.

(56) **References Cited**

U.S. PATENT DOCUMENTS

- D410,204 S * 5/1999 Hendriks G06Q 10/087 D10/78
- D446,135 S * 8/2001 Chen G08C 17/02 D10/78
- D460,923 S * 7/2002 Chen G01K 1/022 D10/52
- D472,480 S * 4/2003 Chung H04B 1/3888 D10/57
- D478,822 S 8/2003 Kaiser et al.

- D579,800 S * 11/2008 Mobley D10/57
- D670,579 S * 11/2012 Cooney D10/57
- D720,243 S * 12/2014 Elrod D10/52
- D788,605 S * 6/2017 Rouillard D10/57
- D837,669 S * 1/2019 Yu D10/57
- D845,154 S * 4/2019 Yu D10/78

(Continued)

Primary Examiner — Antoine Duval Davis

(57) **CLAIM**

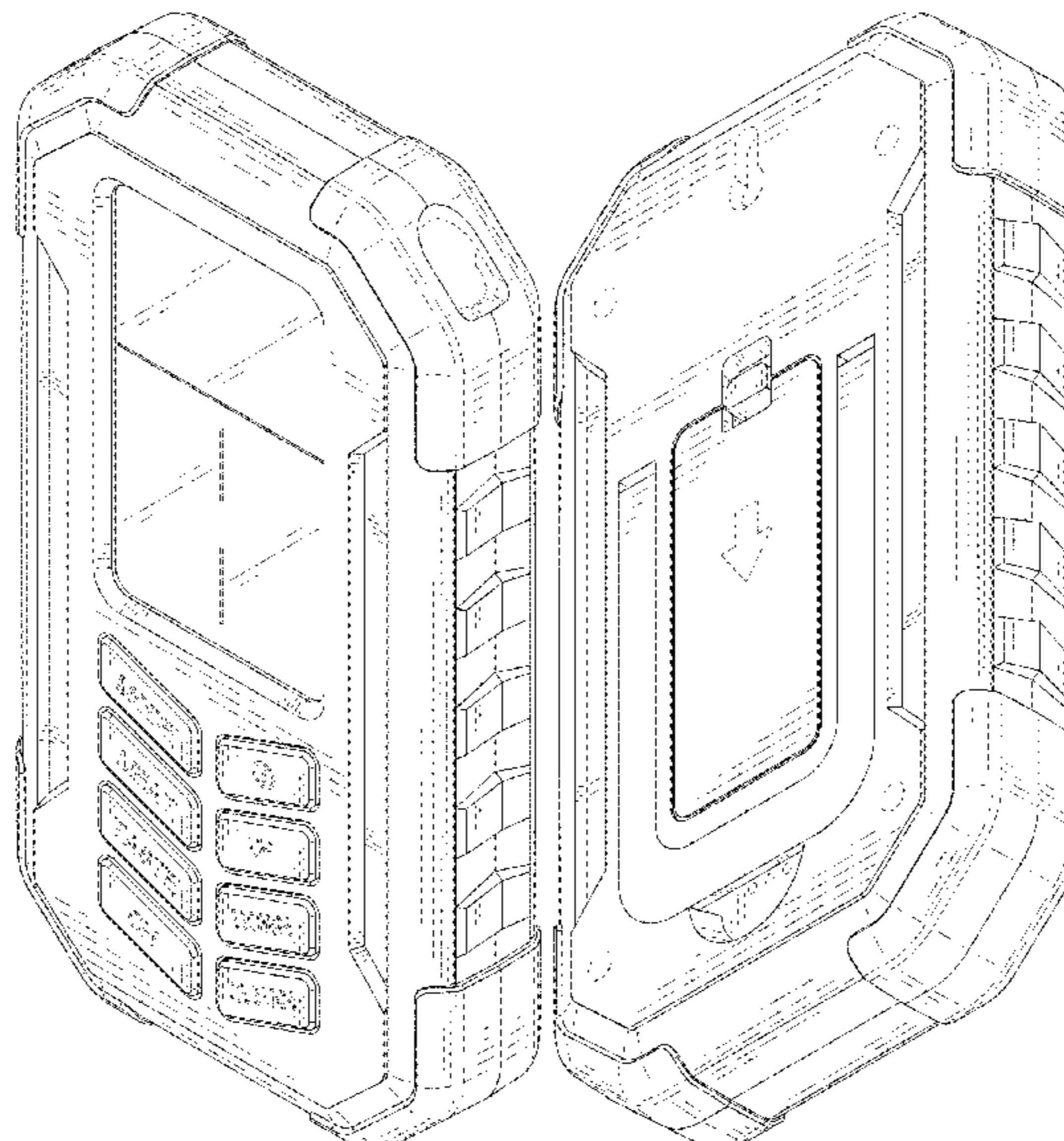
The ornamental design for a meat thermometer, as shown and described.

DESCRIPTION

FIG. 1 is a perspective view of a main body of a meat thermometer, shown separately for ease of illustration; FIG. 2 is another perspective view thereof; FIG. 3 is a front elevational view thereof; FIG. 4 is a rear elevational view thereof; FIG. 5 is a left side elevational view thereof; FIG. 6 is a right side elevational view thereof; FIG. 7 is a top plan view thereof; FIG. 8 is a bottom plan view thereof; FIG. 9 is a perspective view of a probe of the meat thermometer, shown separately for ease of illustration; FIG. 10 is another perspective view thereof; FIG. 11 is a front elevational view thereof; FIG. 12 is a rear elevational view thereof; FIG. 13 is a left side elevational view thereof; FIG. 14 is a right side elevational view thereof; FIG. 15 is a top plan view thereof; FIG. 16 is a bottom plan view thereof; FIG. 17 is a perspective view of the meat thermometer, shown in use with the probe taken from the main body; and, FIG. 18 is a perspective view of the meat thermometer, shown in use with the probe accommodated in the main body.

The broken lines in the drawings depict boundaries of the meat thermometer that form no part of the claimed design.

1 Claim, 18 Drawing Sheets



(56)

References Cited

U.S. PATENT DOCUMENTS

D847,006	S *	4/2019	Hu	D10/57
D853,254	S *	7/2019	Zemel	D10/57
D884,496	S	5/2020	Zhang		
D897,872	S *	10/2020	Yu	D10/57
D899,277	S *	10/2020	Wang	D10/57
D921,501	S *	6/2021	Wang	D10/57
D927,997	S *	8/2021	Yu	D10/57
D929,876	S *	9/2021	Yu	D10/52
2003/0118077	A1 *	6/2003	Chapman	G01K 1/024 374/E1.004
2015/0140936	A1 *	5/2015	Sachs	H04B 1/3888 455/67.11
2017/0122817	A1 *	5/2017	Willert	G01K 1/022
2021/0270678	A1 *	9/2021	Owen	G08C 17/02
2021/0304222	A1 *	9/2021	Gratianne	G06Q 10/087

* cited by examiner

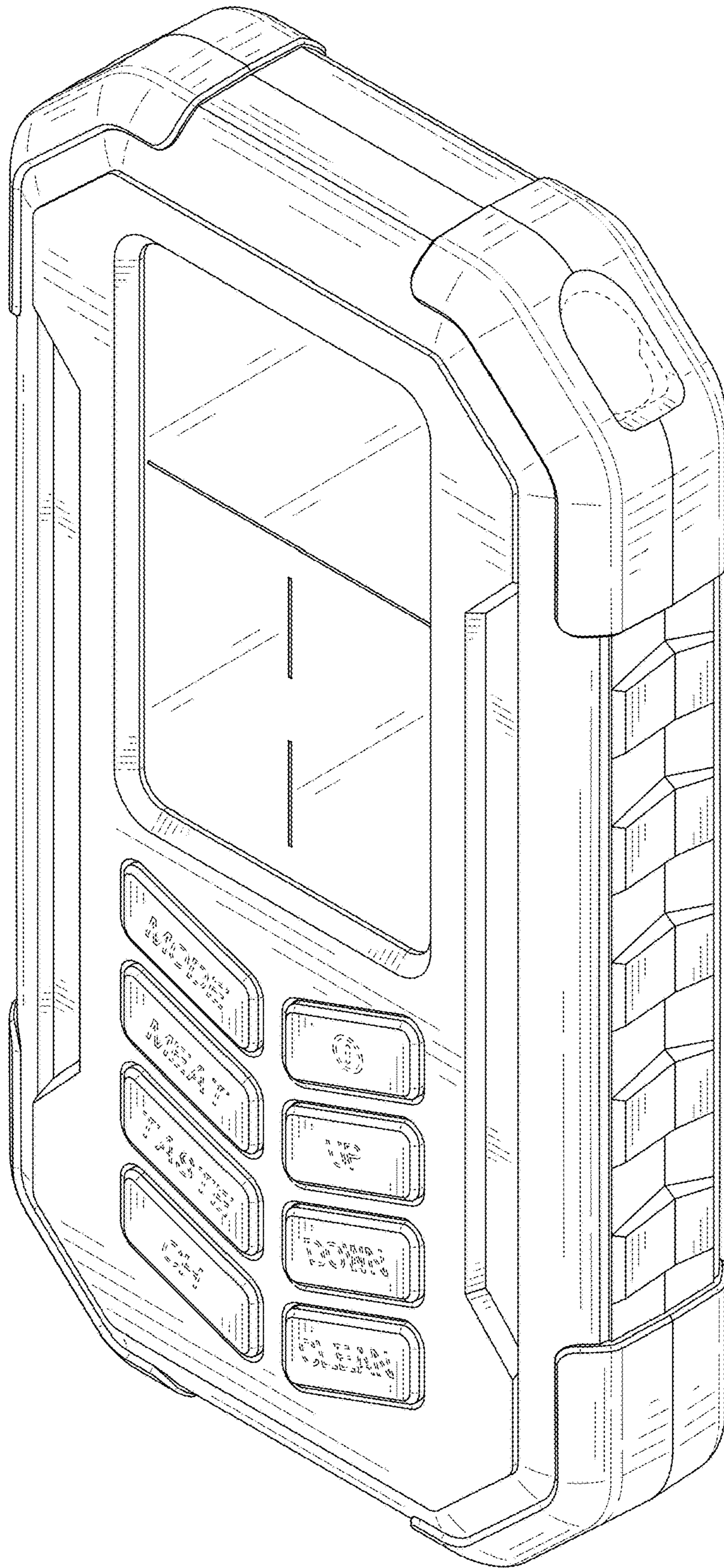


FIG. 1

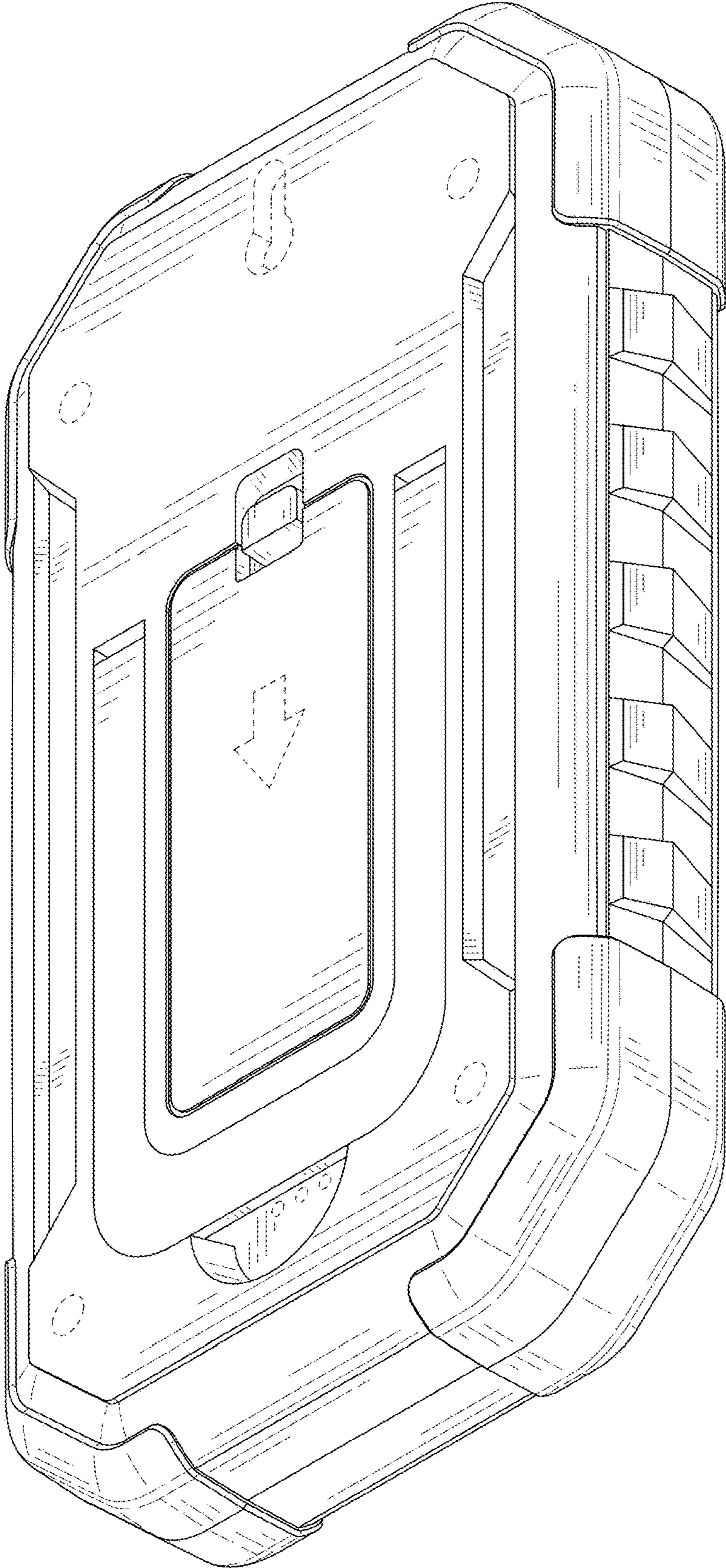


FIG. 2

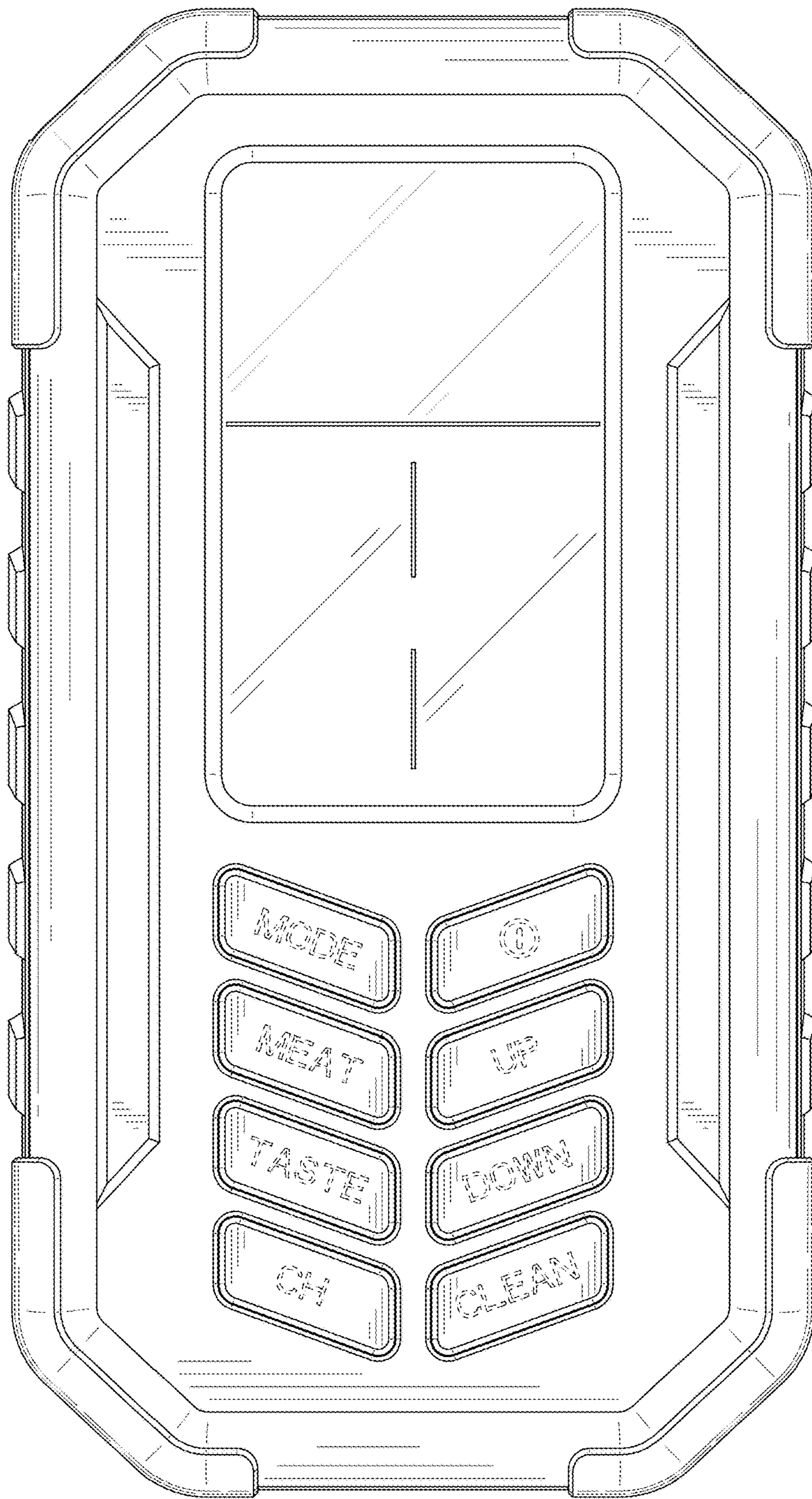


FIG. 3

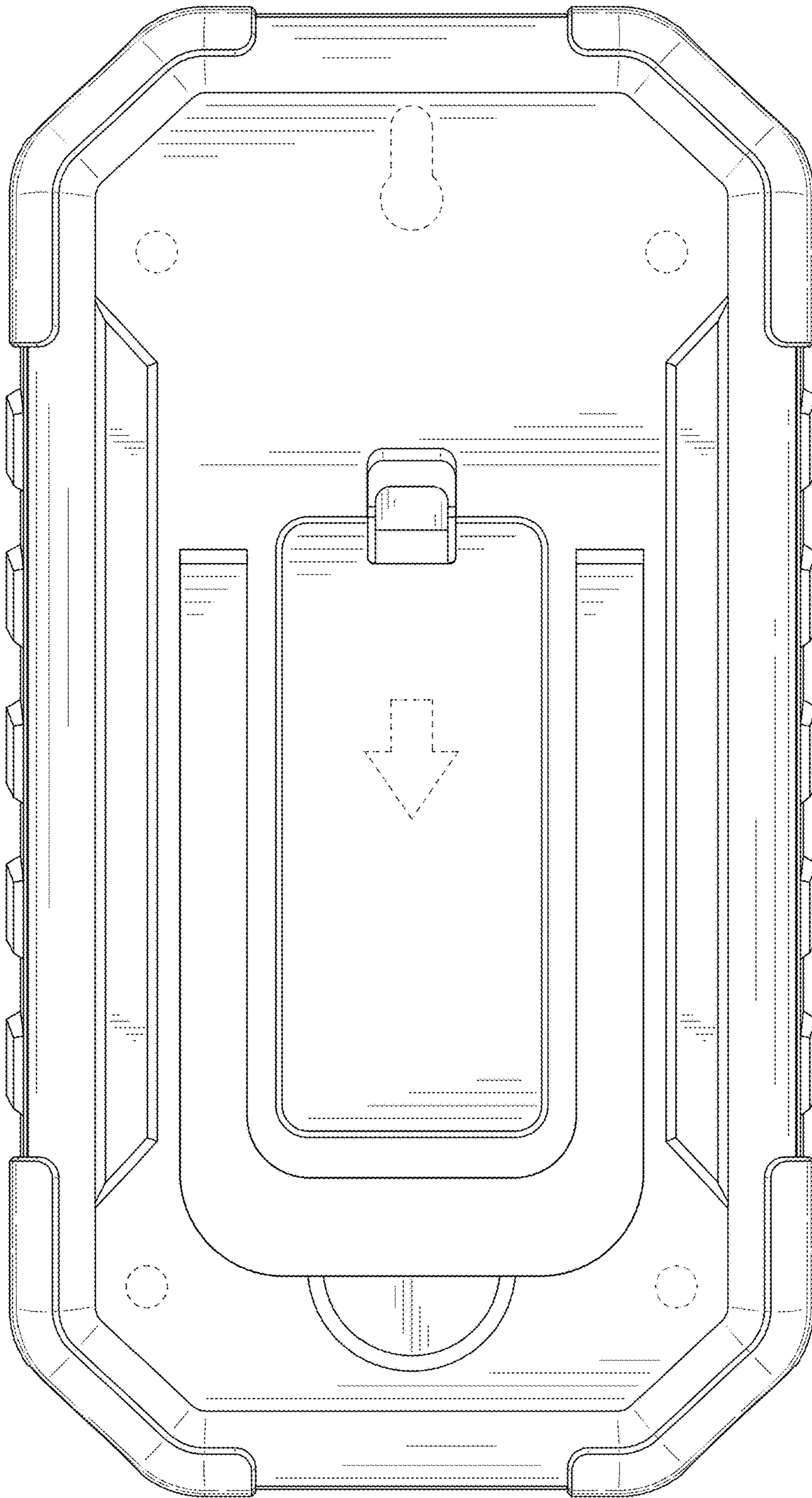


FIG. 4

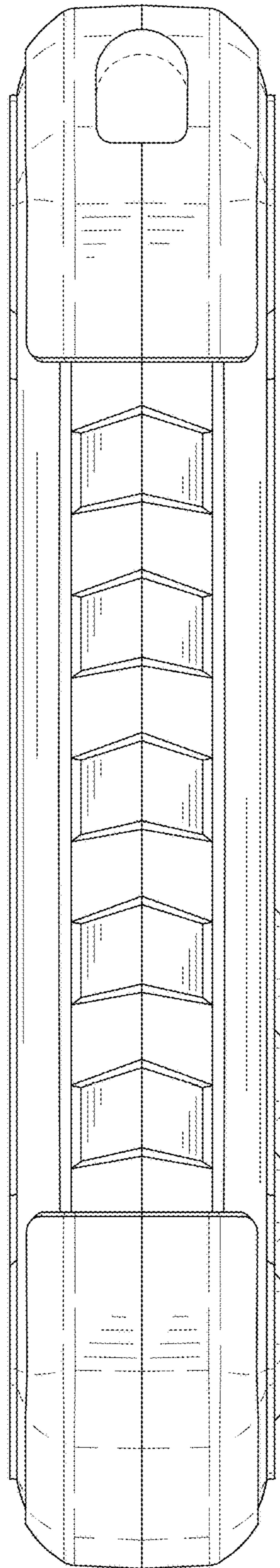


FIG. 5

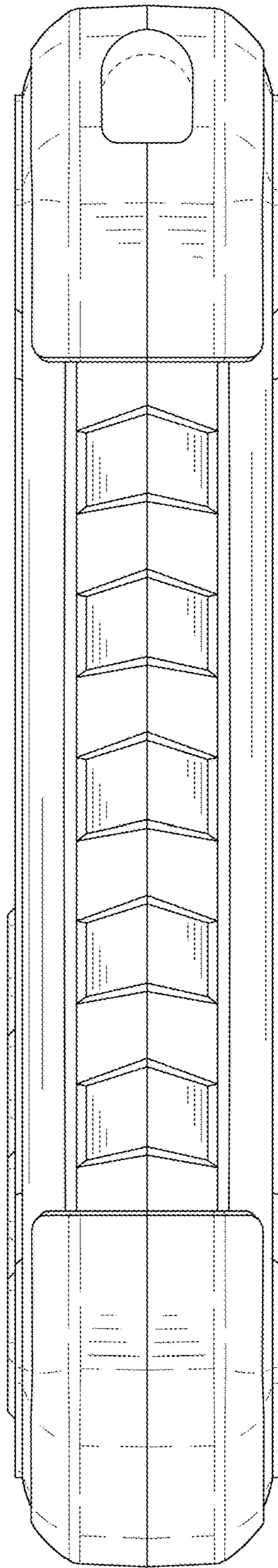


FIG. 6

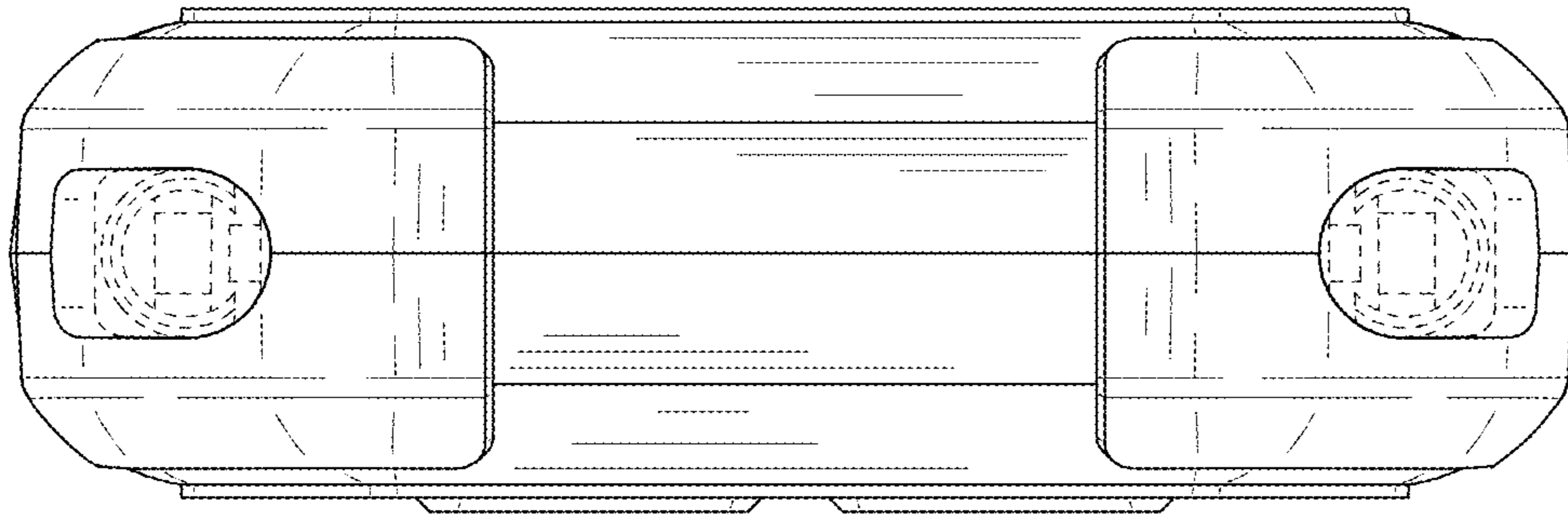


FIG. 7

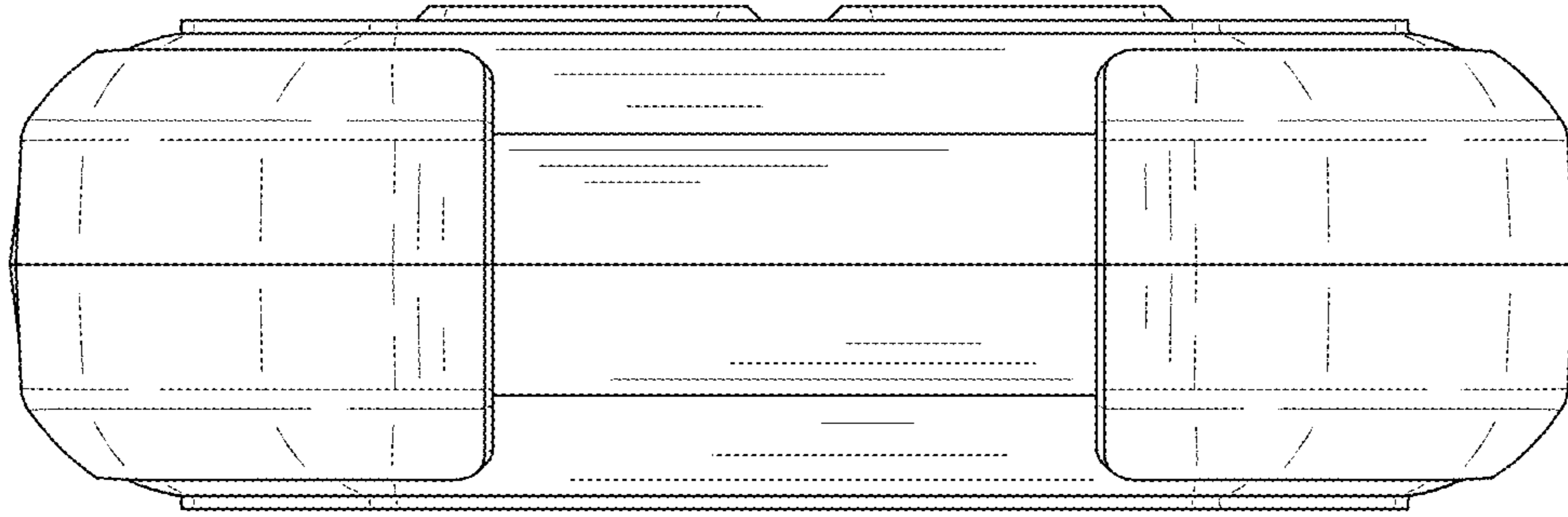


FIG. 8

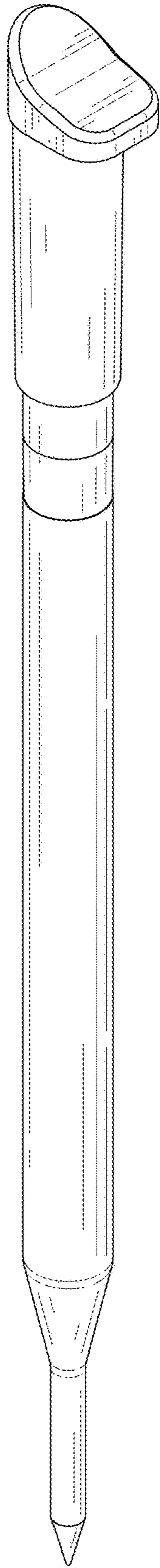


FIG. 9

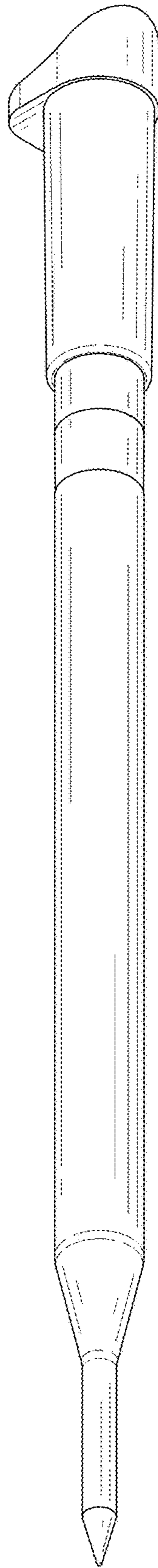


FIG. 10

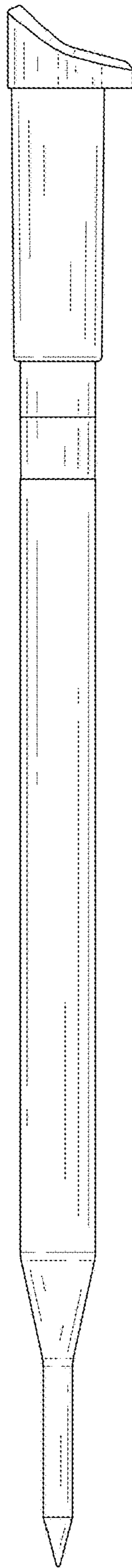


FIG. 11

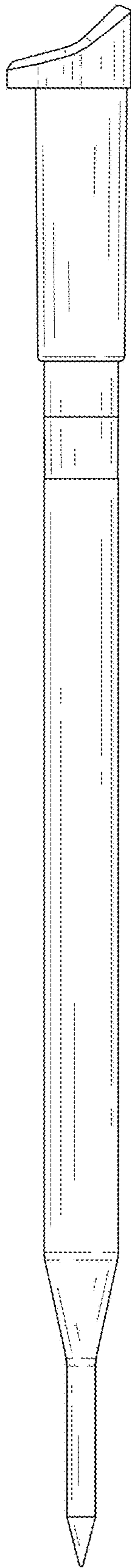


FIG. 12

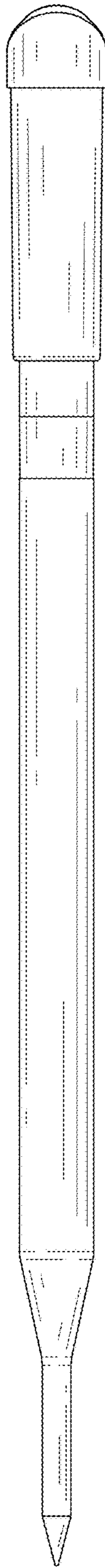


FIG. 13

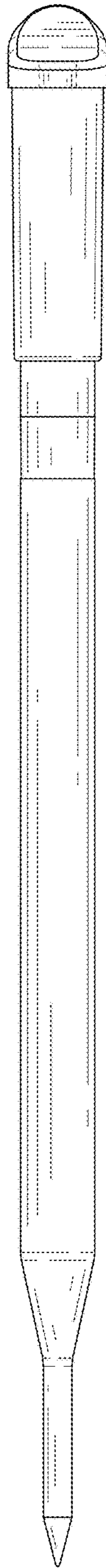


FIG. 14

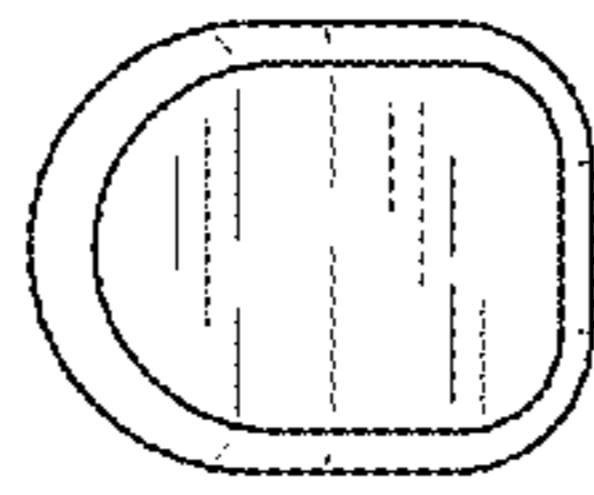


FIG. 15

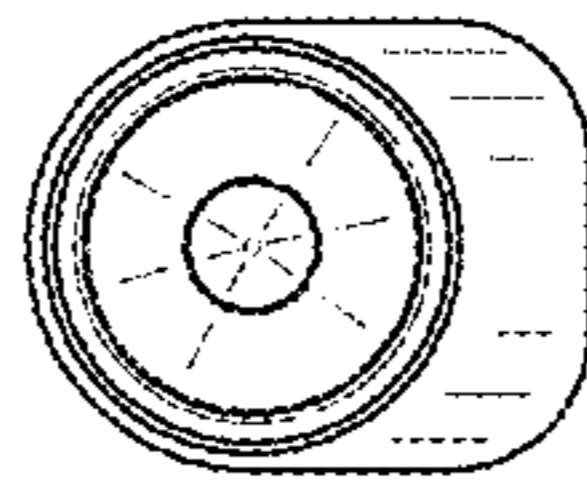


FIG. 16

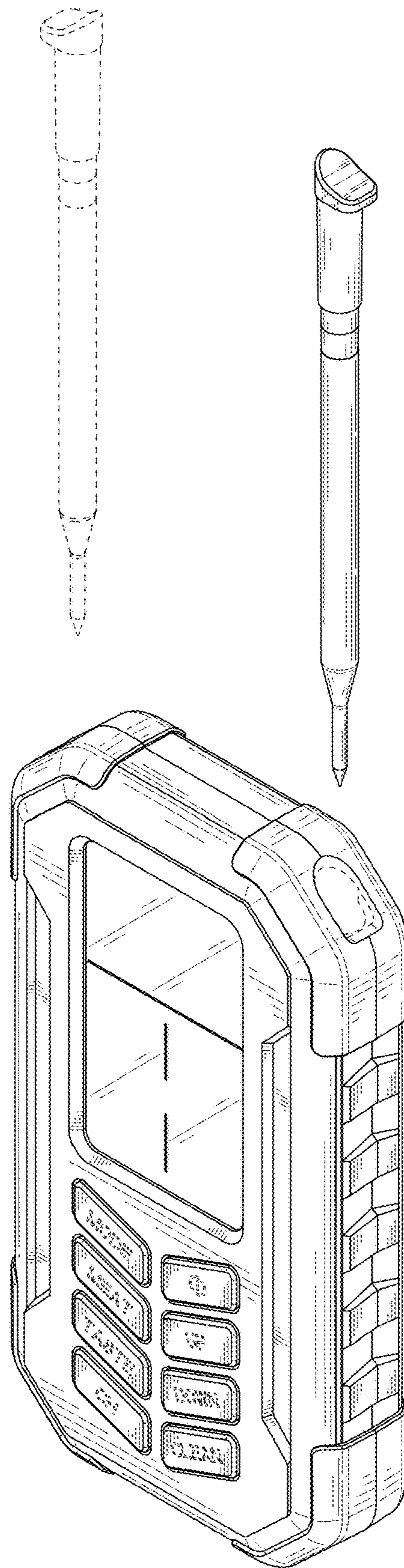


FIG. 17

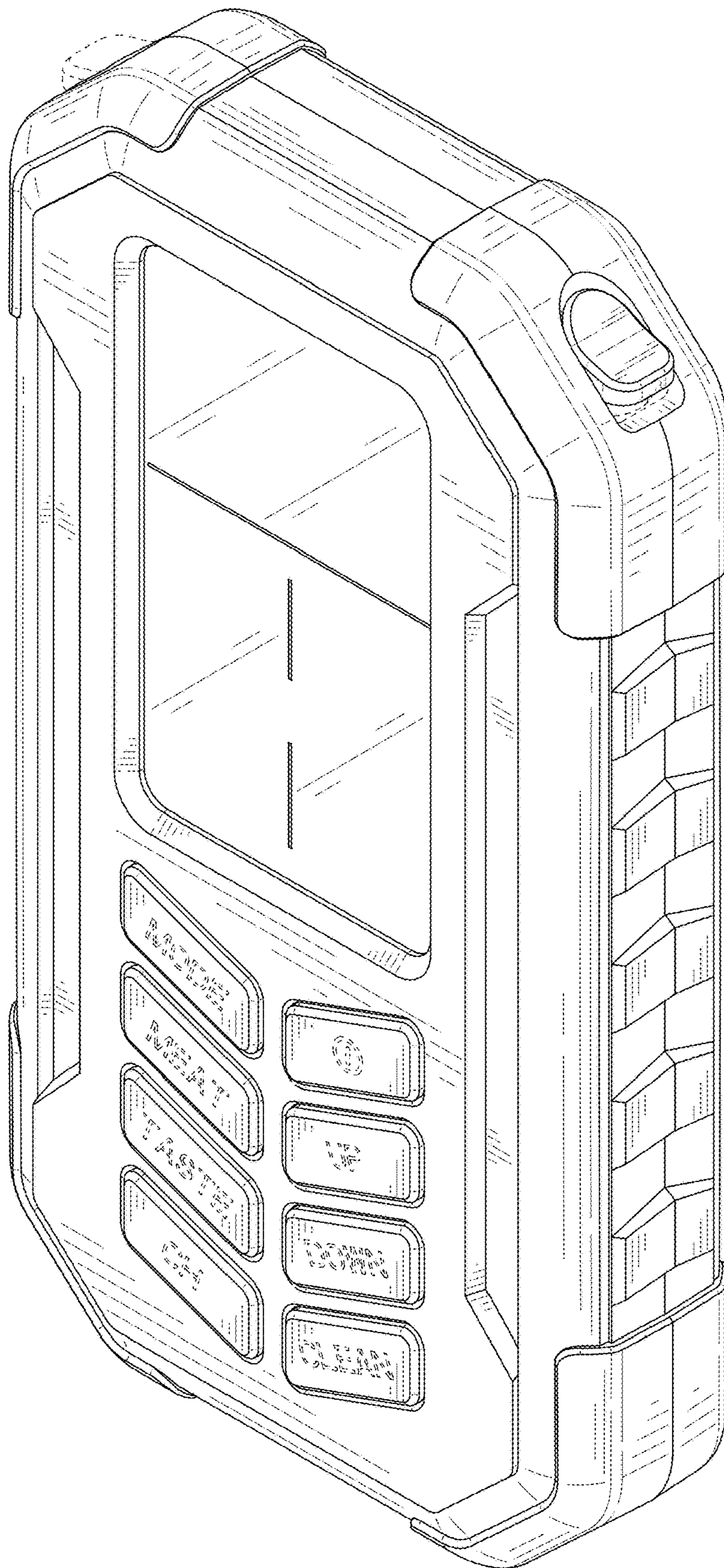


FIG. 18