



US00D953898S

(12) **United States Design Patent**
Zuo

(10) **Patent No.:** **US D953,898 S**
(45) **Date of Patent:** **** Jun. 7, 2022**

(54) **TEMPERATURE RECEIVER**

(71) Applicant: **Shenzhen Shenxinhui Electronics Co., Ltd**, Guangdong (CN)

(72) Inventor: **Xihui Zuo**, Guangdong (CN)

(73) Assignee: **Shenzhen Shenxinhui Electronics Co., Ltd**, Shenzhen (CN)

(**) Term: **15 Years**

(21) Appl. No.: **29/751,875**

(22) Filed: **Sep. 23, 2020**

(30) **Foreign Application Priority Data**

Apr. 3, 2020 (CN) 202030128351.7

(51) **LOC (13) Cl.** **10-04**

(52) **U.S. Cl.**
USPC **D10/57**

(58) **Field of Classification Search**
USPC D10/49, 50, 57
CPC G01K 1/00; G01K 1/02; G01K 1/022;
G01K 1/026; G01K 1/028; G01K 1/08
See application file for complete search history.

(56) **References Cited**

U.S. PATENT DOCUMENTS

D899,277 S * 10/2020 Wang H04Q 9/00
D10/57

D921,501 S * 6/2021 Wang D10/57
2021/0278258 A1 * 9/2021 Paille H04Q 9/00

* cited by examiner

Primary Examiner — Antoine Duval Davis

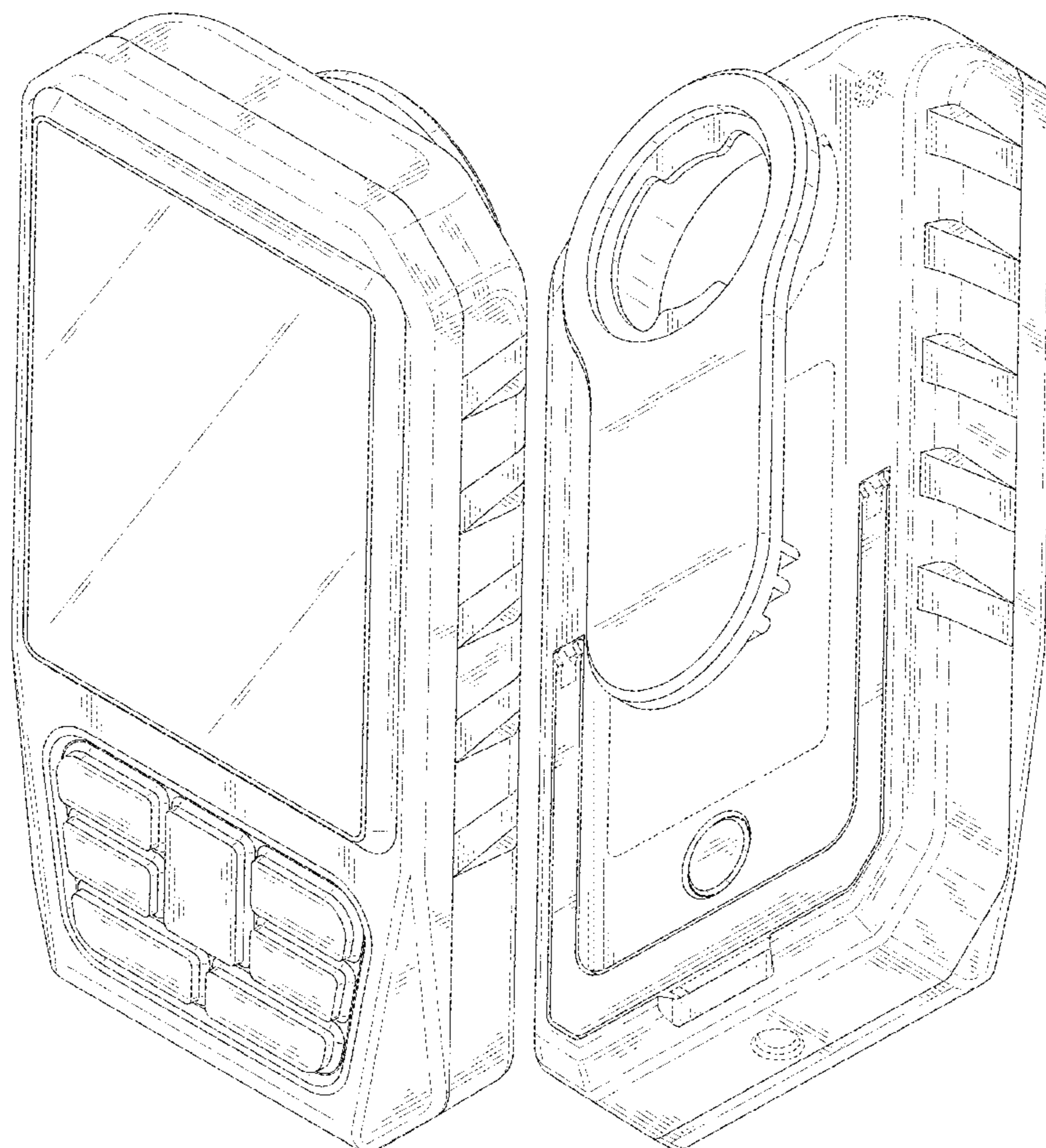
(57) **CLAIM**

The ornamental design for a temperature receiver, as shown and described.

DESCRIPTION

FIG. 1 is a top, front and right side perspective view of a temperature receiver showing my new design;
FIG. 2 is a bottom, rear and left side perspective view thereof;
FIG. 3 is a front elevational view thereof;
FIG. 4 is a rear elevational view thereof;
FIG. 5 is a left side view thereof;
FIG. 6 is a right side view thereof;
FIG. 7 is a top plan view thereof; and,
FIG. 8 is a bottom plan view thereof.
The broken lines in the drawings illustrate portions of the temperature receiver which form no part of the claimed design.

1 Claim, 8 Drawing Sheets



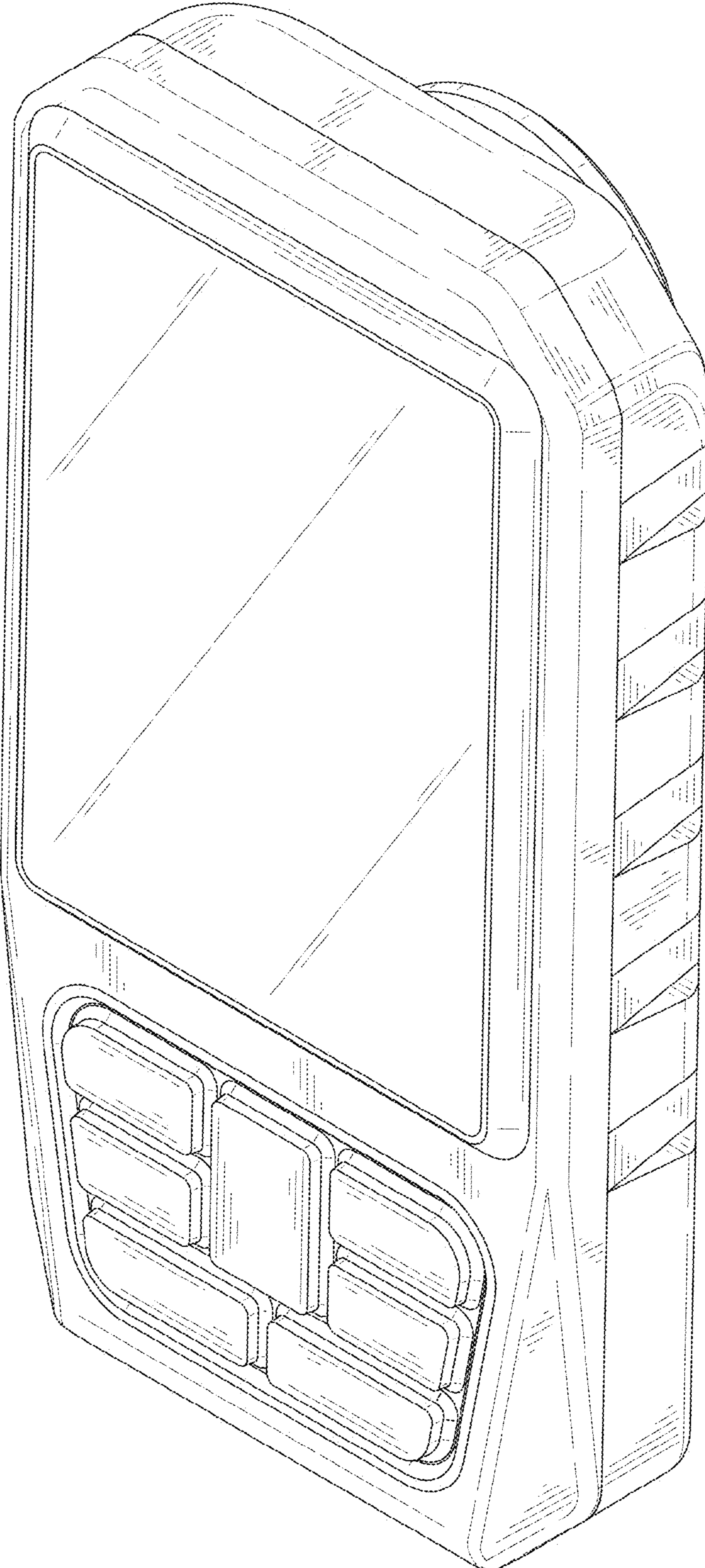


FIG. 1

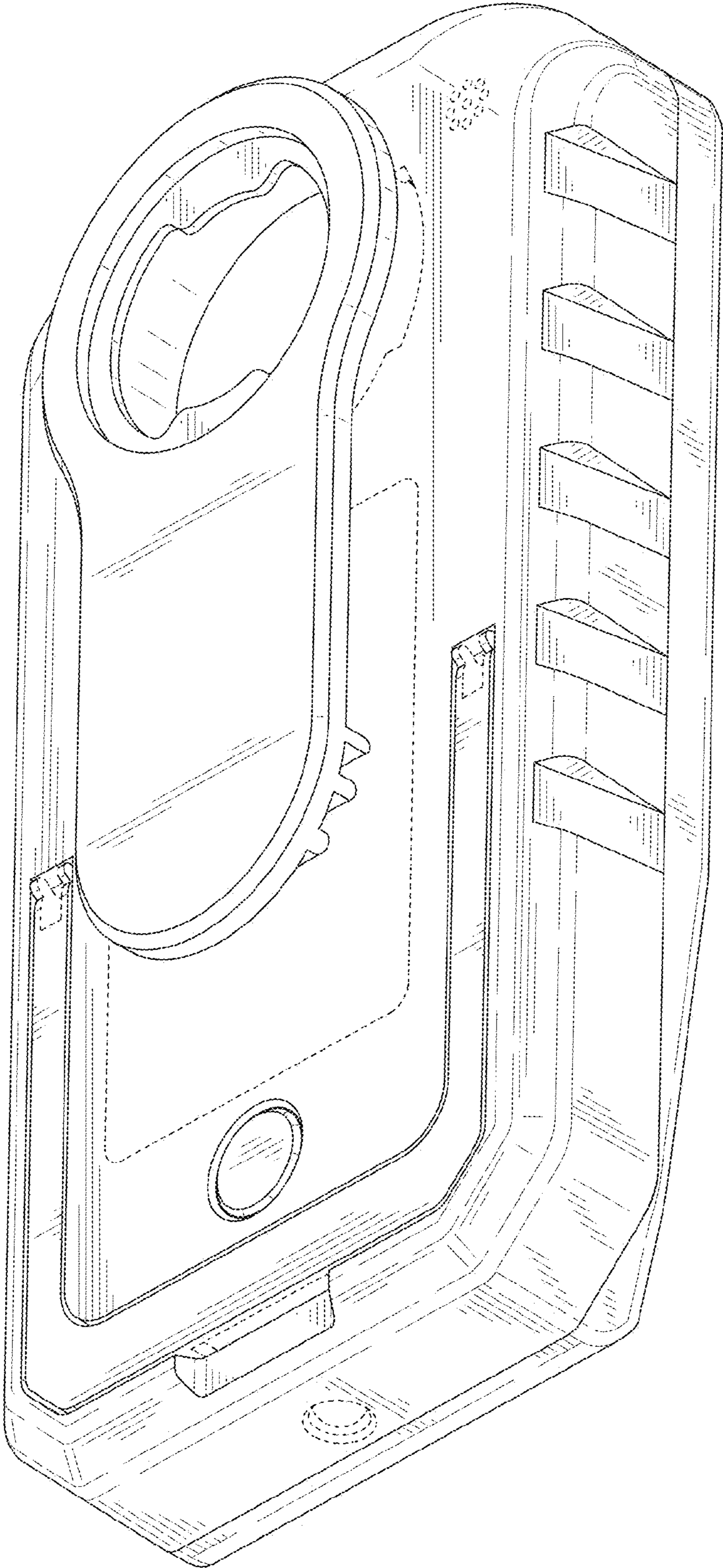


FIG. 2

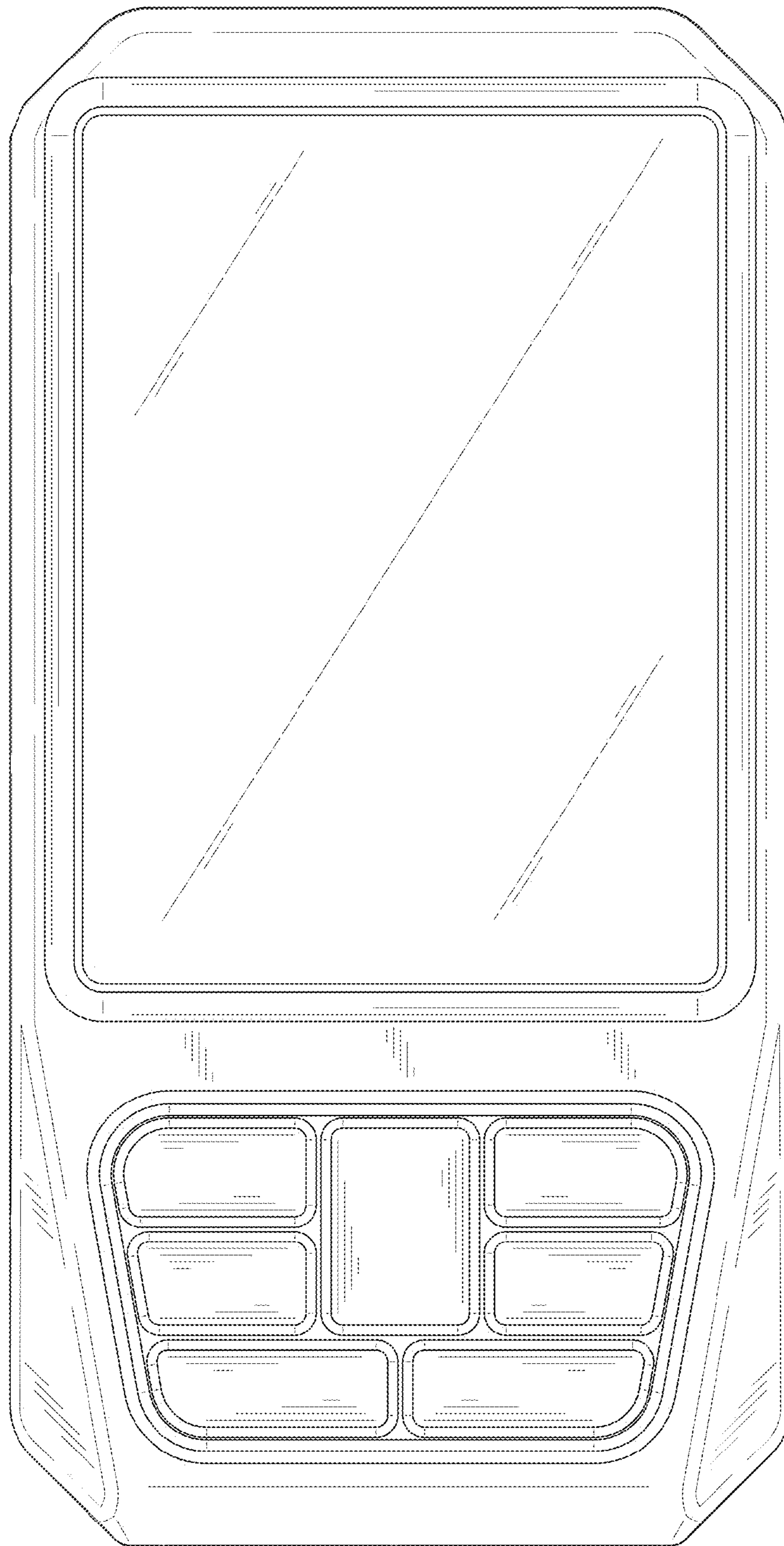


FIG. 3

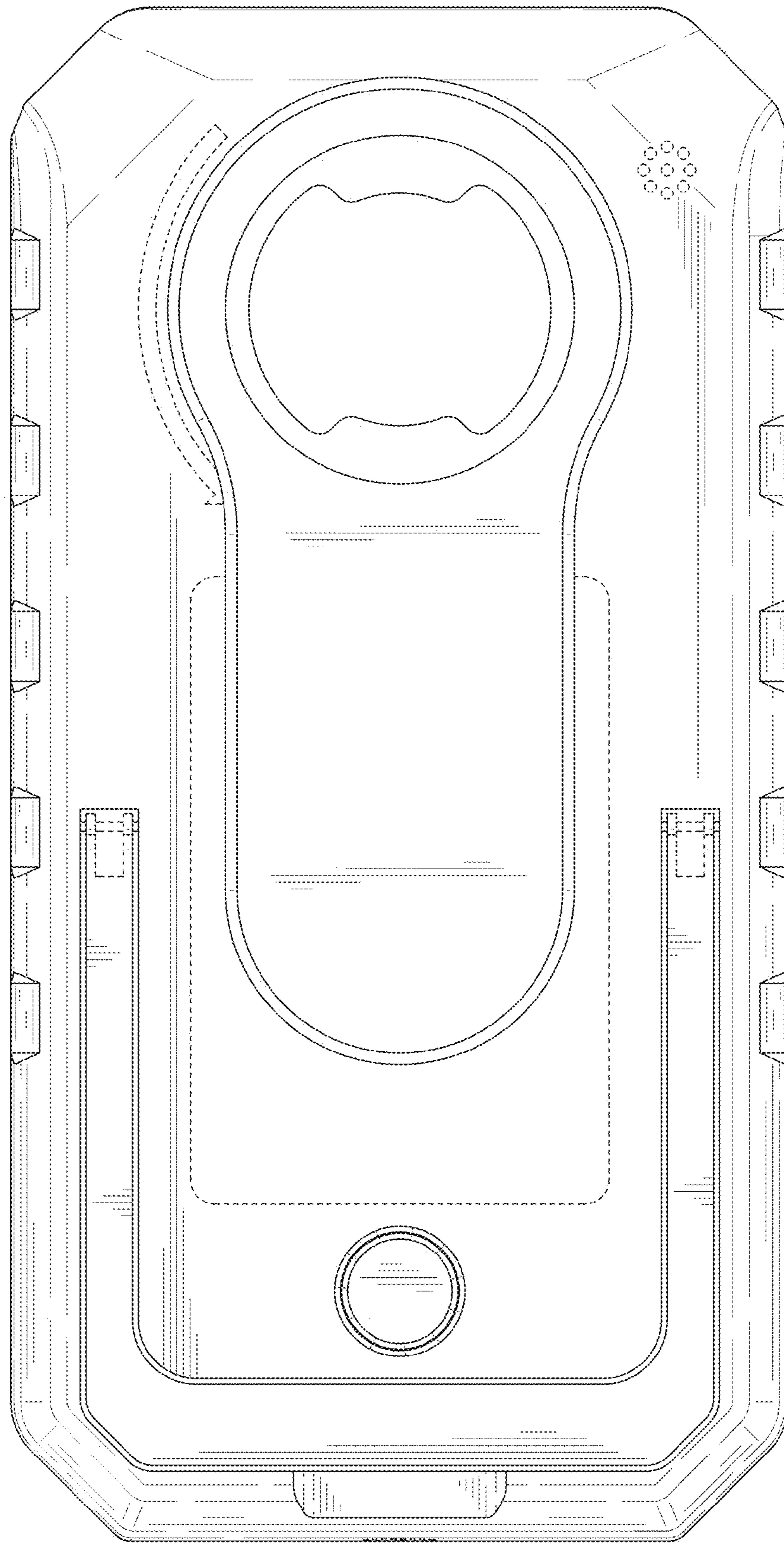


FIG. 4

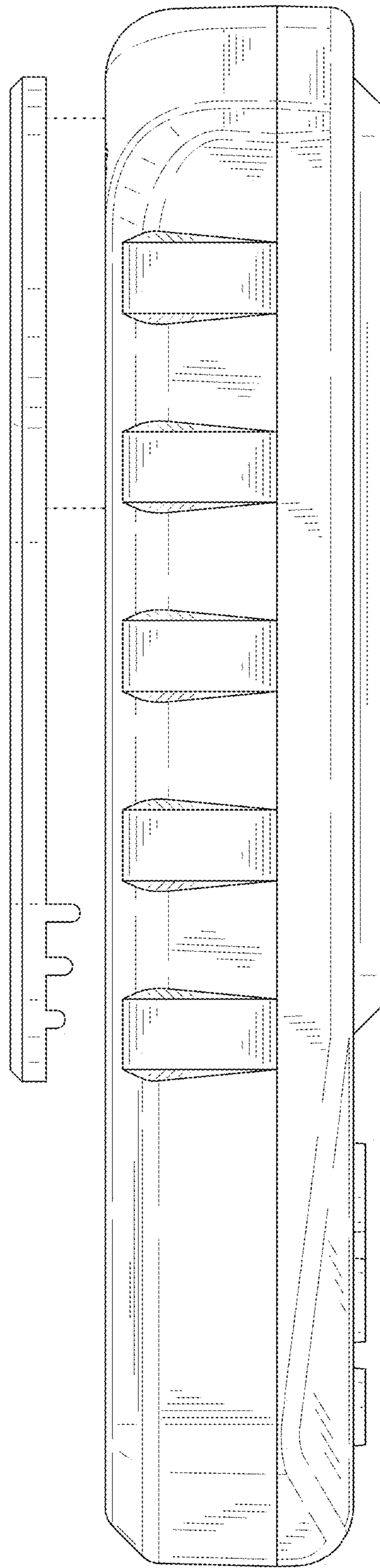


FIG. 5

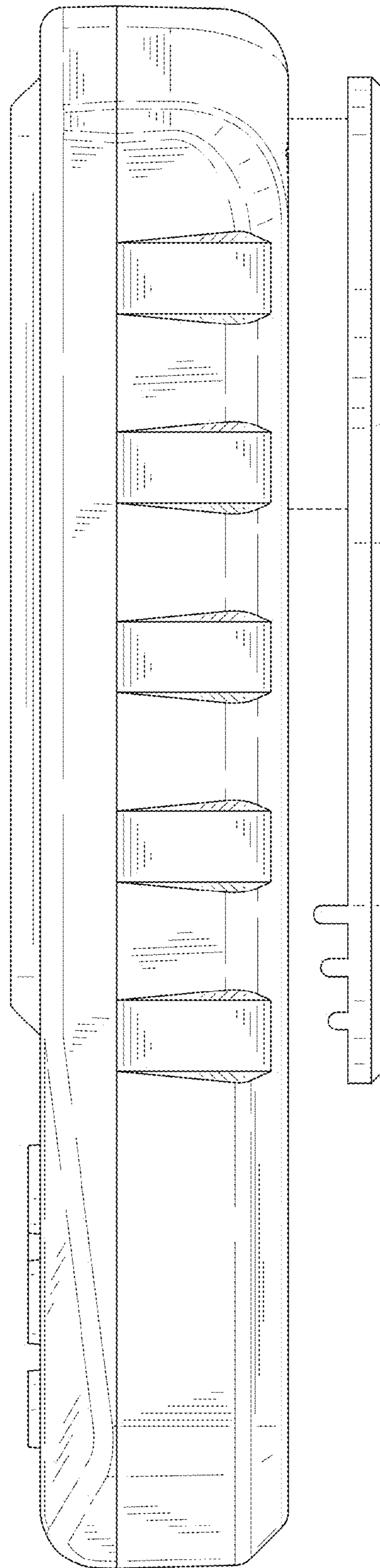


FIG. 6

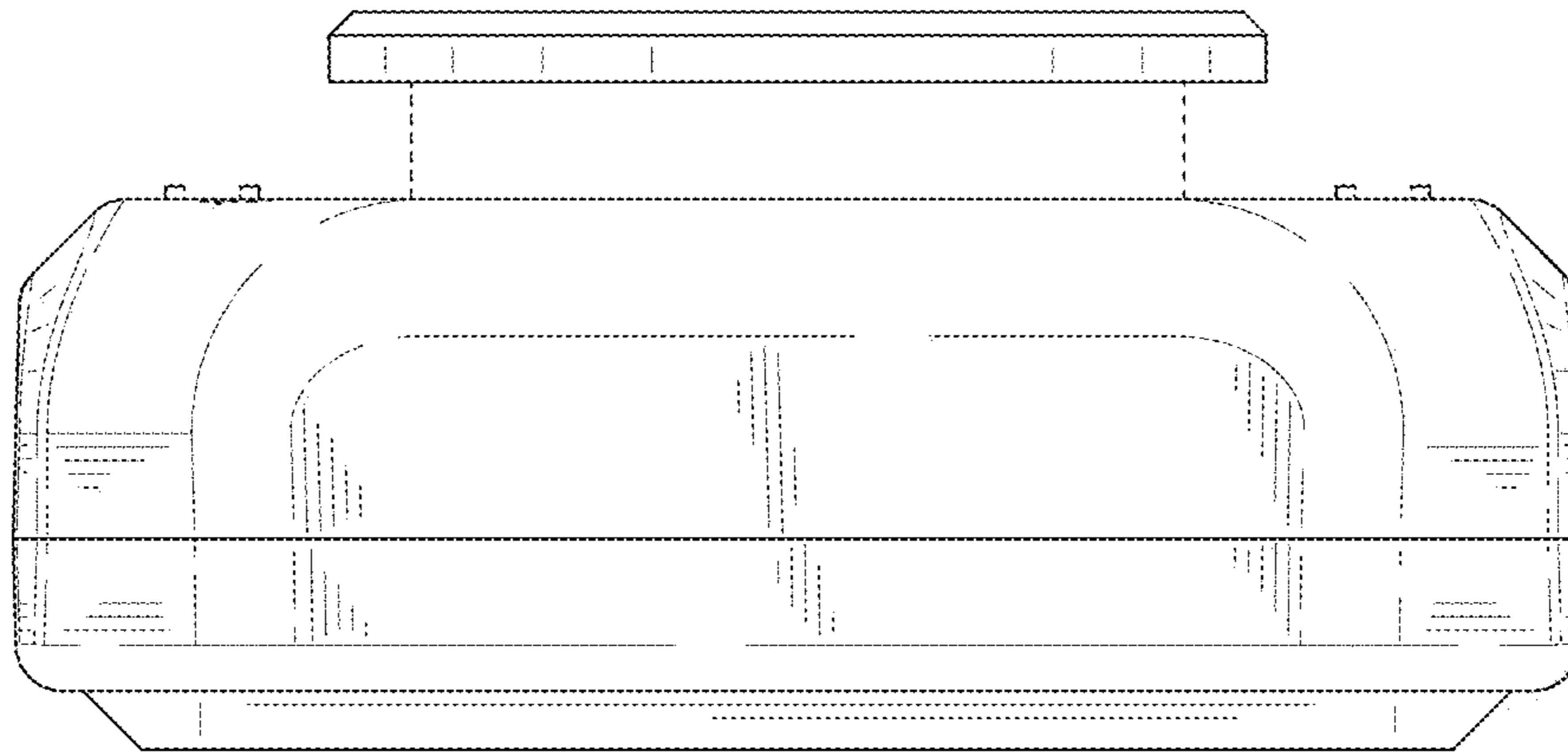


FIG. 7

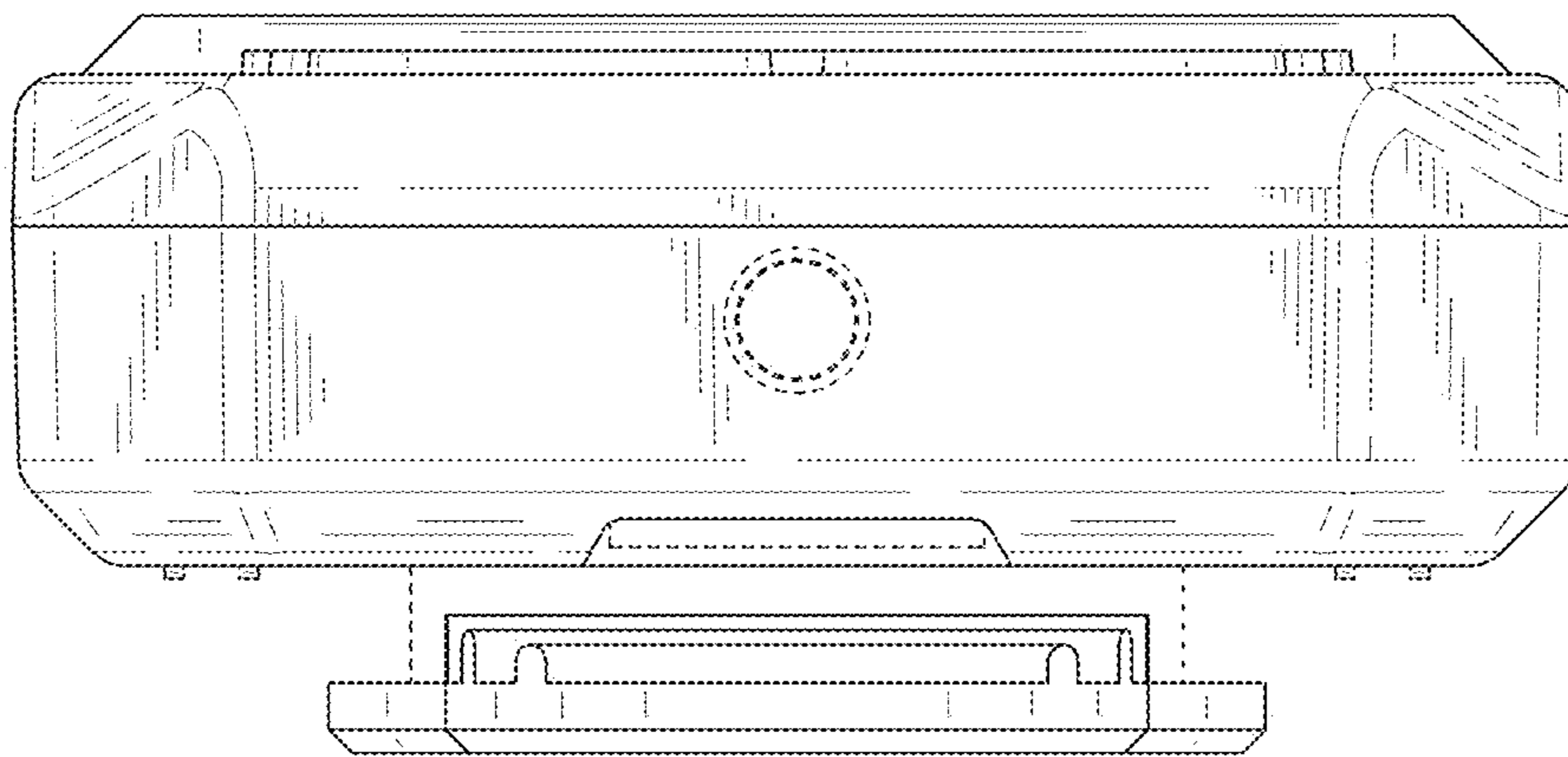


FIG. 8