



US00D953896S

(12) **United States Design Patent**
Zuo

(10) **Patent No.:** **US D953,896 S**
(45) **Date of Patent:** **** Jun. 7, 2022**

- (54) **TEMPERATURE TRANSMITTER**
- (71) Applicant: **Shenzhen Shenxinhui Electronics Co., Ltd**, Guangdong (CN)
- (72) Inventor: **Xihui Zuo**, Guangdong (CN)
- (73) Assignee: **Shenzhen Shenxinhui Electronics Co., Ltd**, Shenzhen (CN)
- (**) Term: **15 Years**
- (21) Appl. No.: **29/751,702**
- (22) Filed: **Sep. 23, 2020**

(30) **Foreign Application Priority Data**

- Apr. 10, 2020 (CN) 202030140496.9
- (51) **LOC (13) Cl.** **10-04**
- (52) **U.S. Cl.**
USPC **D10/57**
- (58) **Field of Classification Search**
USPC D10/49, 50, 57
CPC G01K 1/00; G01K 1/02; G01K 1/022;
G01K 1/026; G01K 1/028; G01K 1/08
See application file for complete search history.

(56) **References Cited**

U.S. PATENT DOCUMENTS

- D667,321 S * 9/2012 Senba D10/50
- D884,497 S * 5/2020 Tang D10/57

* cited by examiner

Primary Examiner — Antoine Duval Davis

(57) **CLAIM**

The ornamental design for a temperature transmitter, as shown and described.

DESCRIPTION

FIG. 1 is a top, front and right side perspective view of a temperature transmitter showing my new design;

FIG. 2 is a bottom, rear and left side perspective view thereof;

FIG. 3 is a front elevational view thereof;

FIG. 4 is a rear elevational view thereof;

FIG. 5 is a left side view thereof;

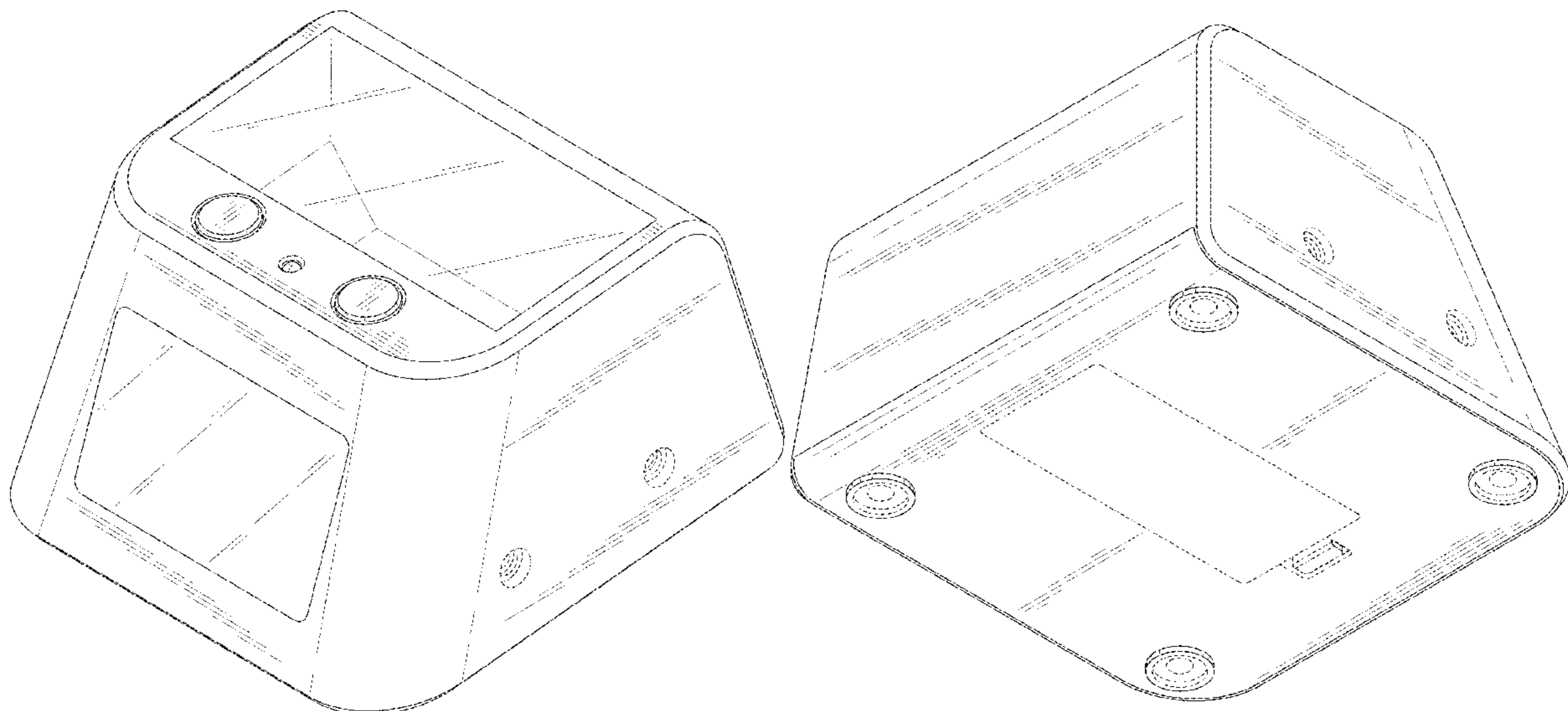
FIG. 6 is a right side view thereof;

FIG. 7 is a top plan view thereof; and,

FIG. 8 is a bottom plan view thereof.

The broken lines in the drawings illustrate portions of the temperature transmitter which form no part of the claimed design.

1 Claim, 8 Drawing Sheets



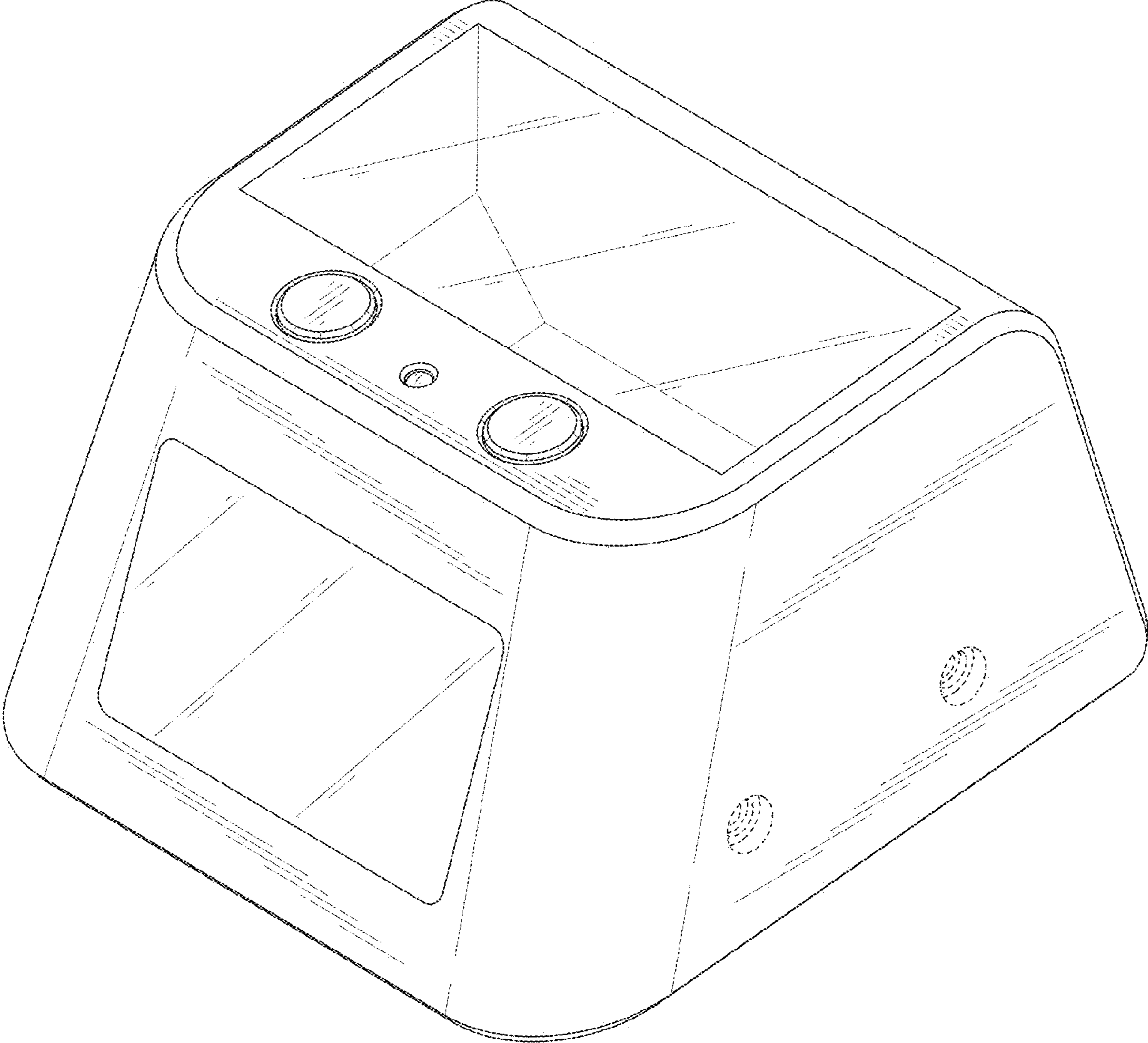


FIG. 1

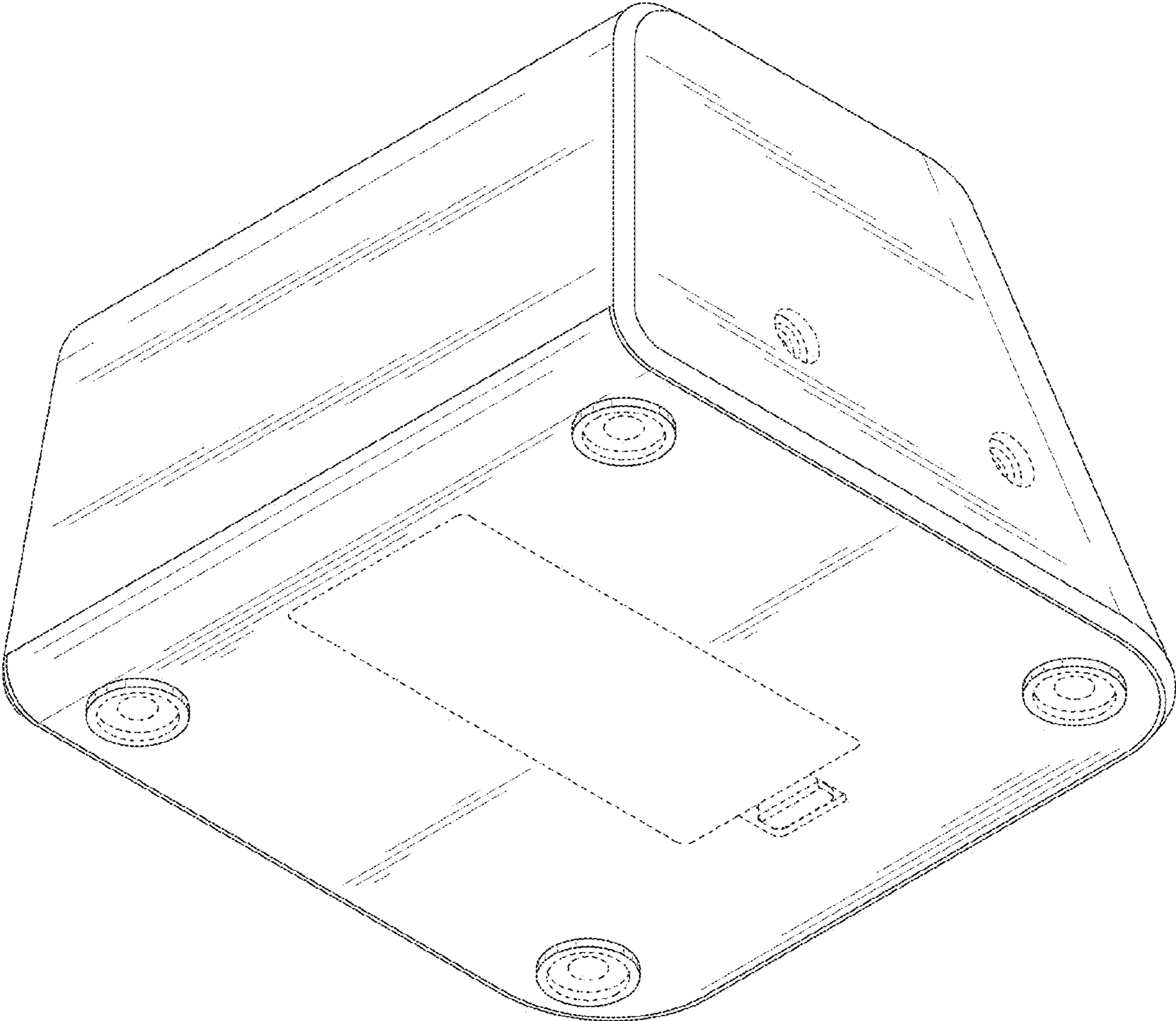


FIG. 2

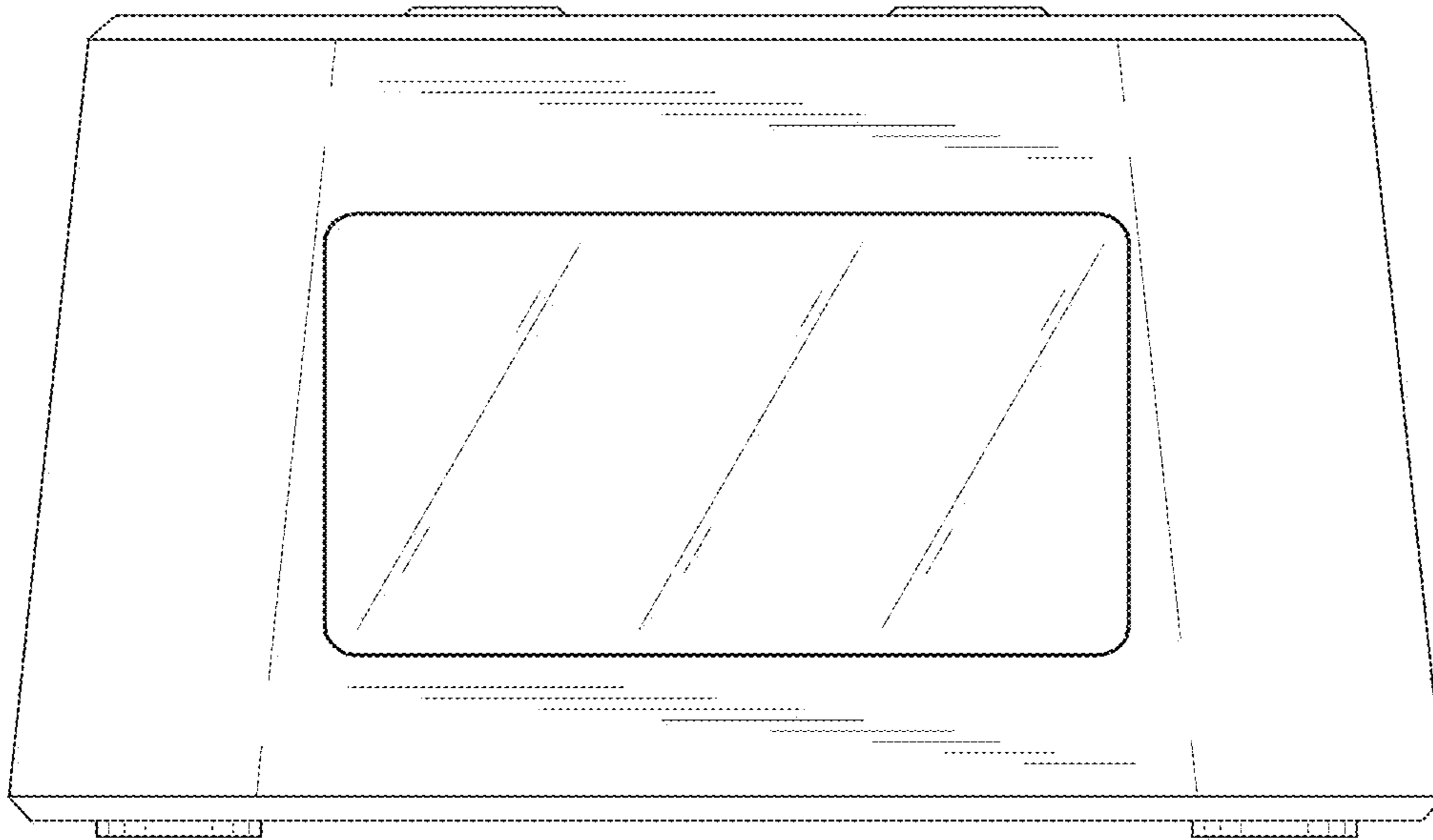


FIG. 3

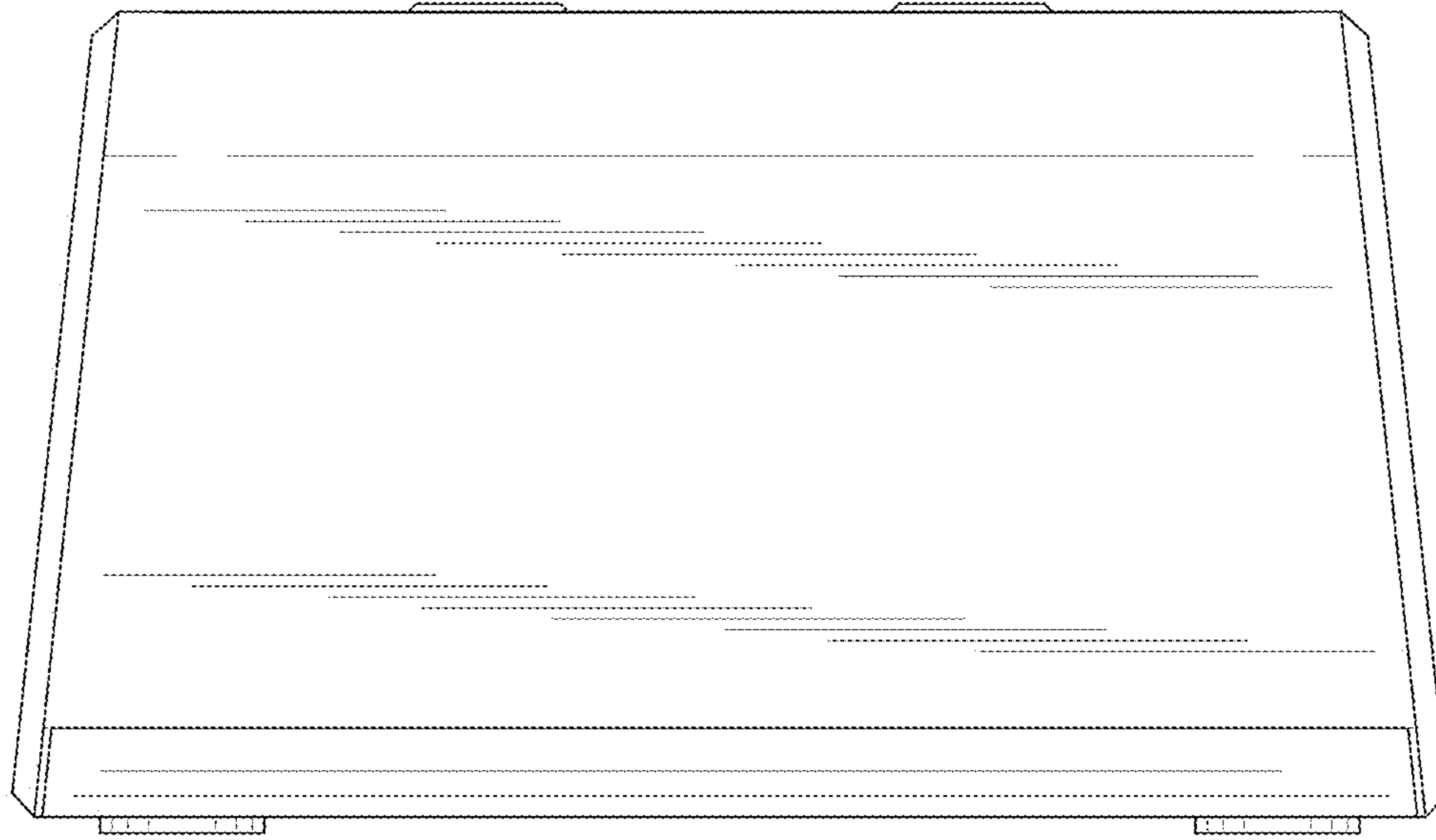


FIG. 4

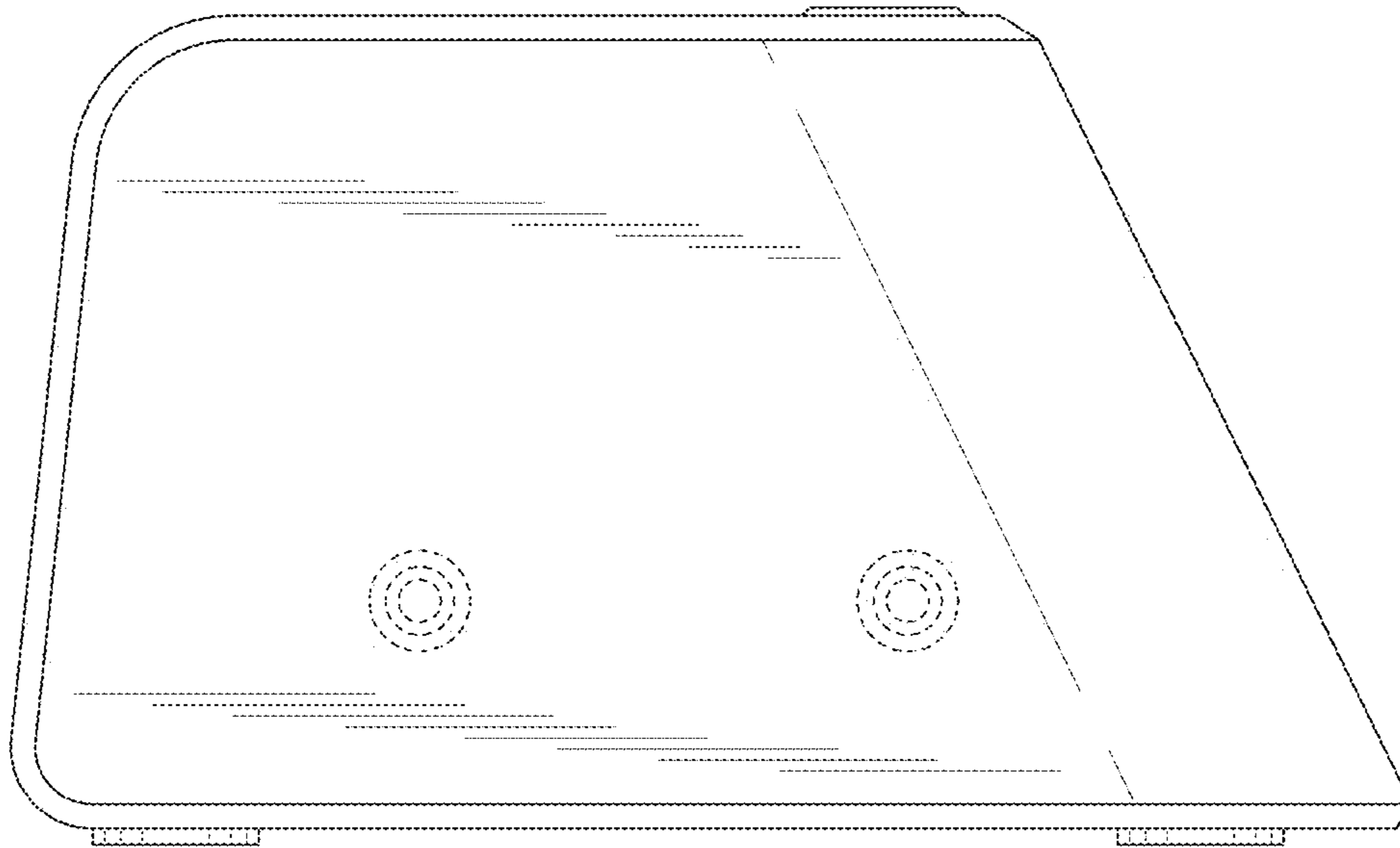


FIG. 5

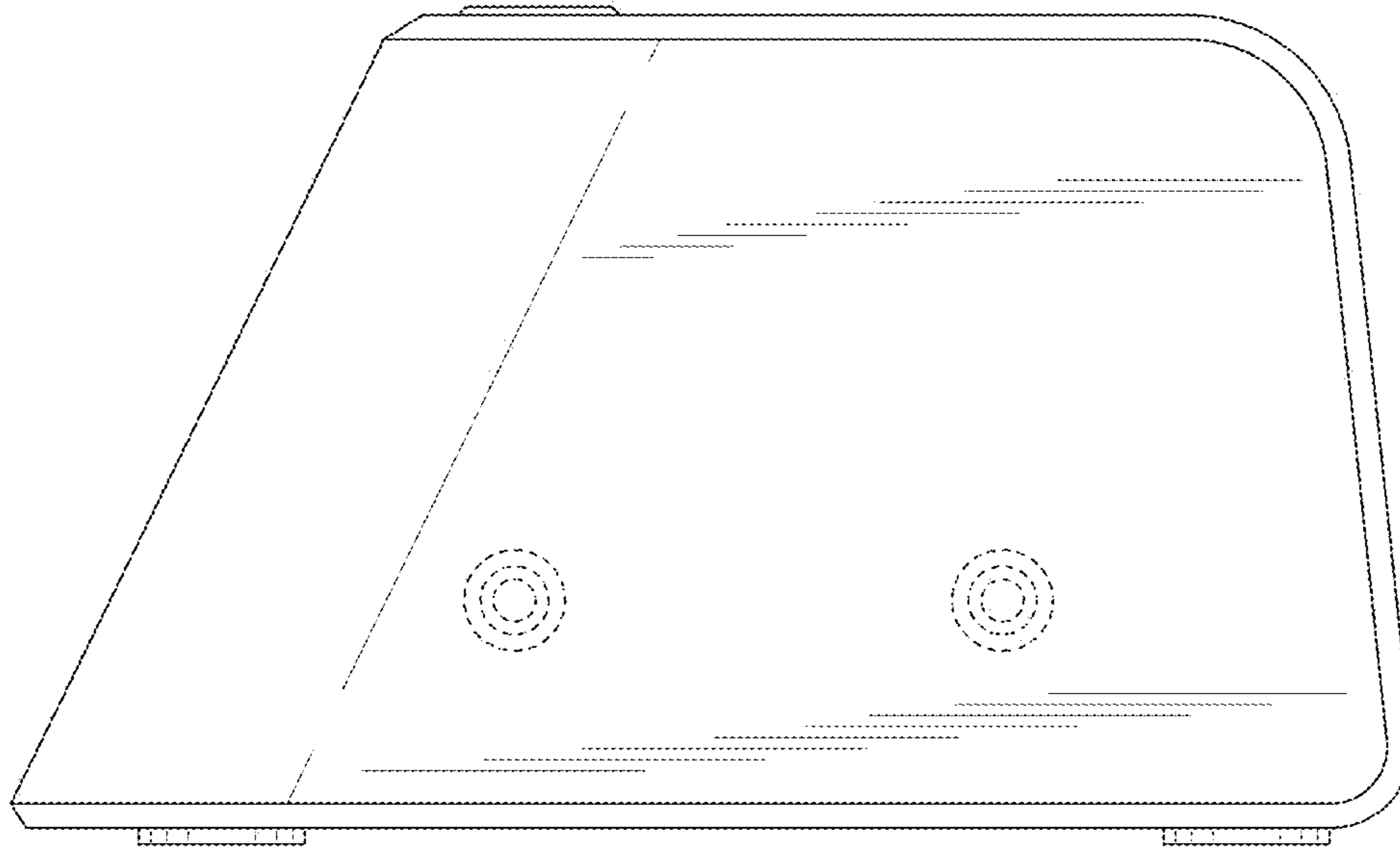


FIG. 6

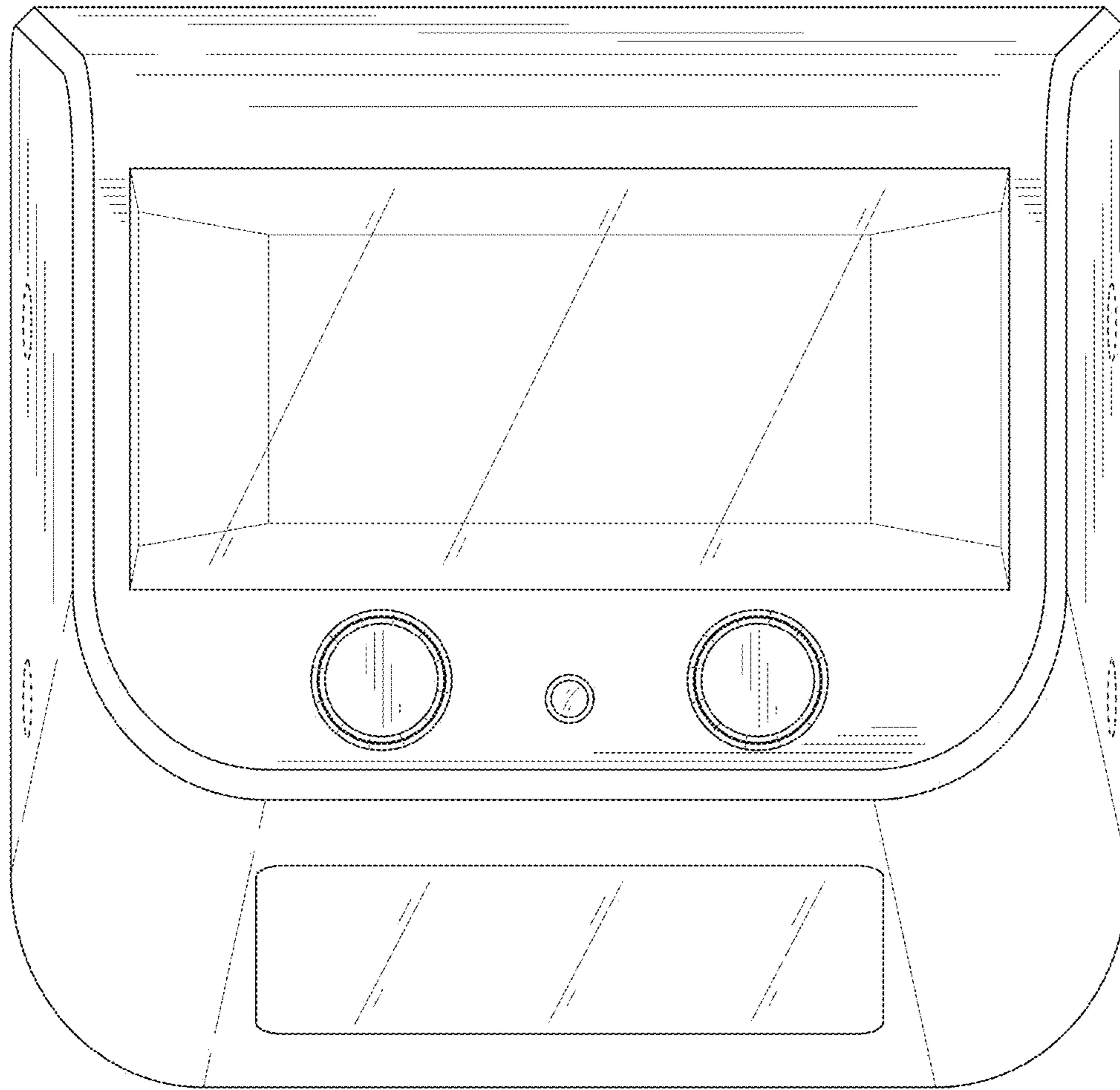


FIG. 7

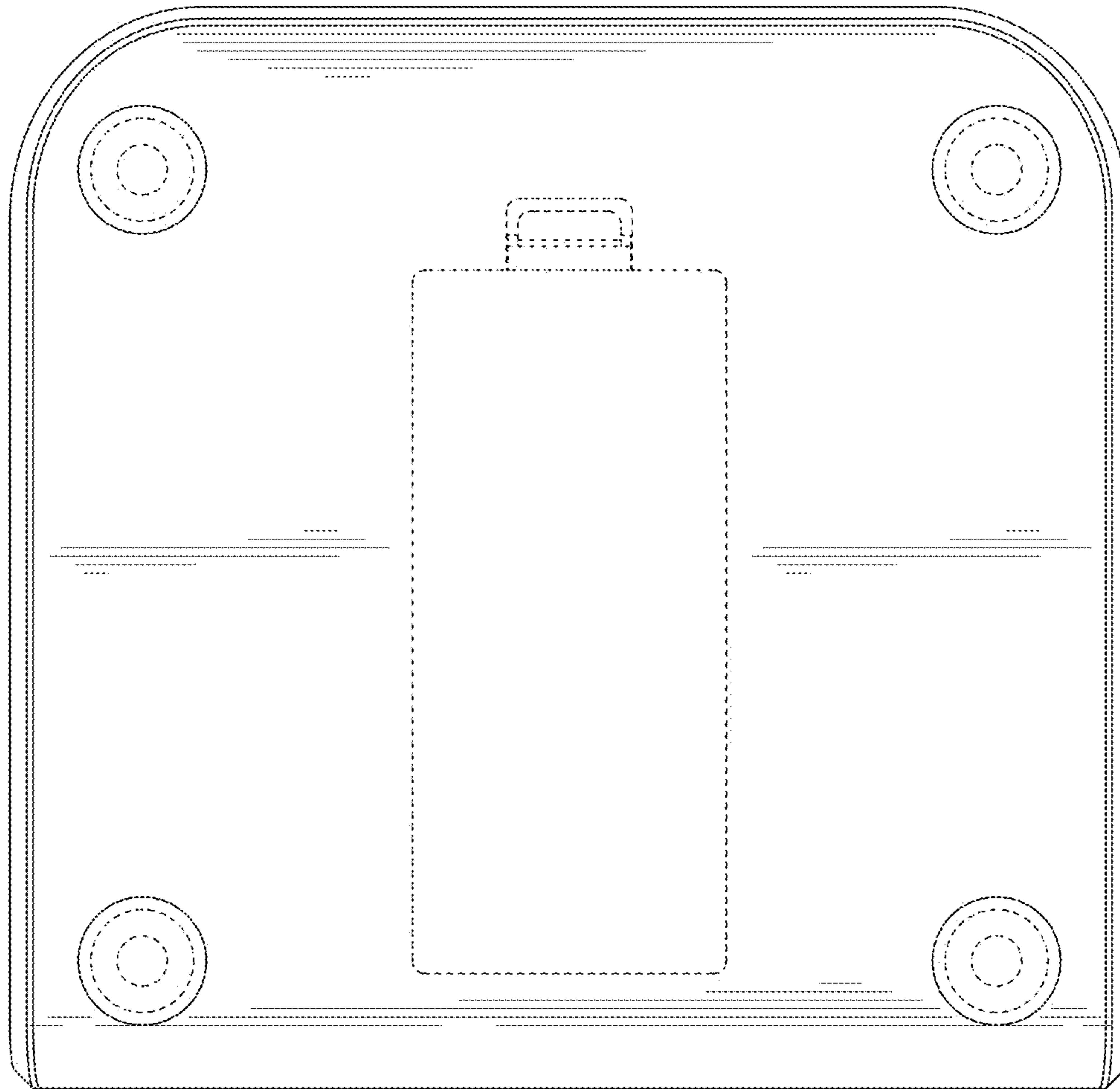


FIG. 8