



US00D953895S

(12) **United States Design Patent**
Dai

(10) **Patent No.:** **US D953,895 S**
(45) **Date of Patent:** **** Jun. 7, 2022**

(54) **THERMOMETER**

(71) Applicant: **Huifang Dai**, Lianjiang (CN)

(72) Inventor: **Huifang Dai**, Lianjiang (CN)

(**) Term: **15 Years**

(21) Appl. No.: **29/750,551**

(22) Filed: **Sep. 15, 2020**

(51) **LOC (13) Cl.** **10-04**

(52) **U.S. Cl.**
USPC **D10/57**

(58) **Field of Classification Search**
USPC D10/57
CPC G01K 1/02; G01K 1/022; G01K 1/024;
G01K 1/08; G01K 1/083; G01K 1/086;
G01K 3/00-14; G01K 2003/145; G01K
13/002; G01K 13/004; G01K 2219/00;
G01K 5/04-225; G01K 5/22; G01K
221/00

See application file for complete search history.

(56) **References Cited**

U.S. PATENT DOCUMENTS

D837,668 S * 1/2019 Zou D10/57
D852,653 S * 7/2019 Zou D10/57

D858,320 S * 9/2019 Wang D10/57
D888,590 S * 6/2020 Wang D10/57
D919,457 S * 5/2021 Dai D10/57
D919,458 S * 5/2021 Dai D10/57

* cited by examiner

Primary Examiner — Antoine Duval Davis

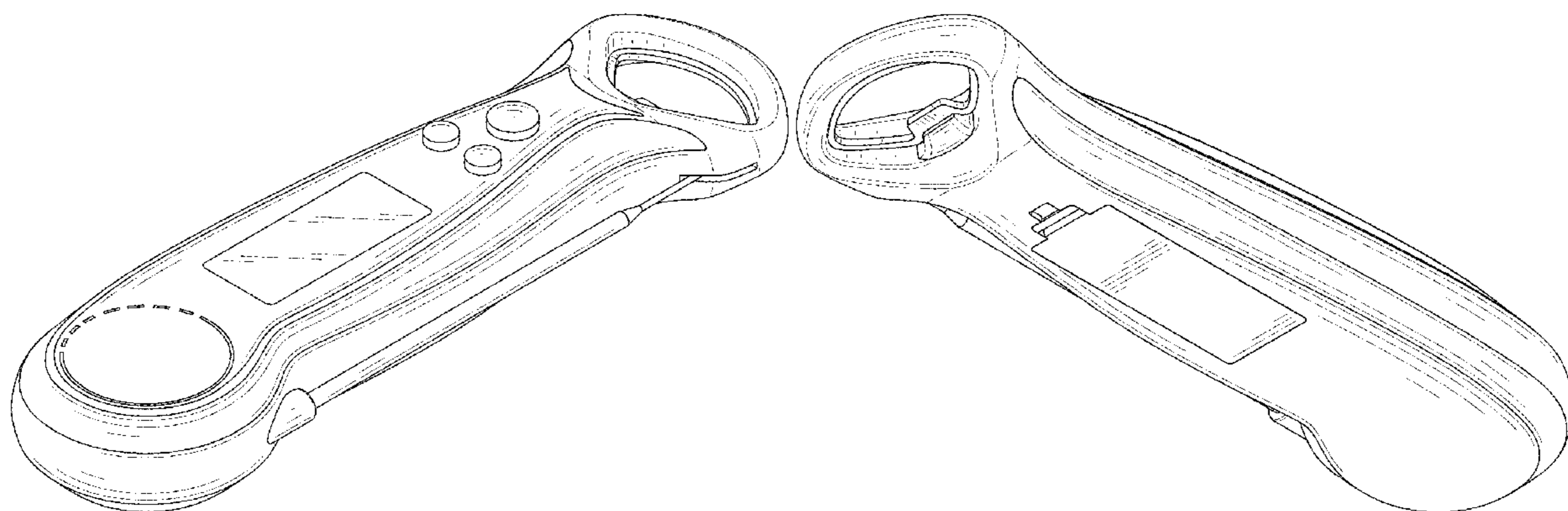
(57) **CLAIM**

The ornamental design for a thermometer, as shown and described.

DESCRIPTION

FIG. 1 is a first perspective view of a thermometer showing my new design;
FIG. 2 is a second perspective view thereof;
FIG. 3 is a front view thereof;
FIG. 4 is a back view thereof;
FIG. 5 is a left side view thereof;
FIG. 6 is a right side view thereof;
FIG. 7 is a top view thereof; and,
FIG. 8 is a bottom view thereof.
The broken lines shown in the drawings depict portions of the thermometer in which the design is embodied that form no part of the claimed design.

1 Claim, 8 Drawing Sheets



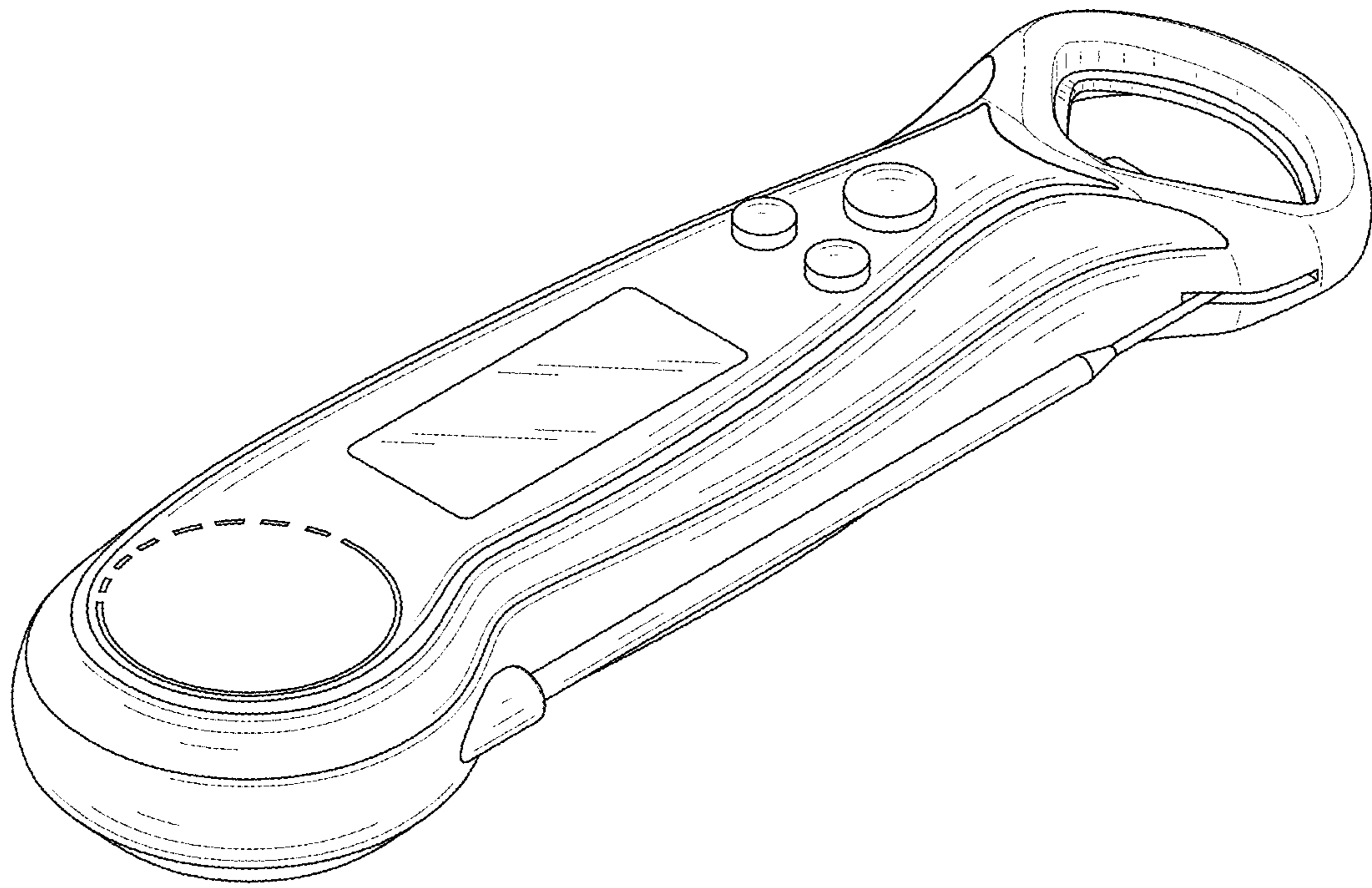


FIG. 1

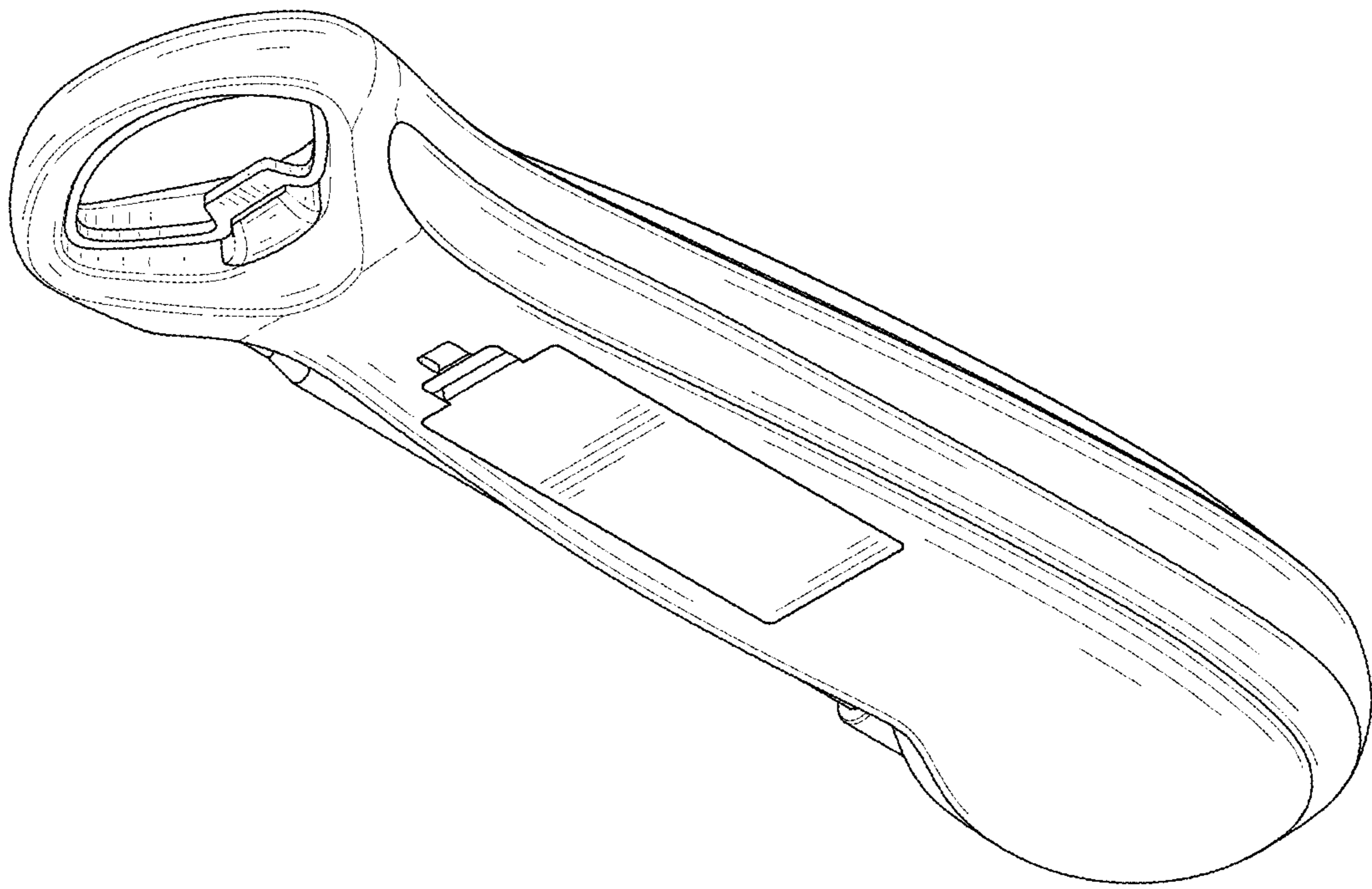


FIG. 2

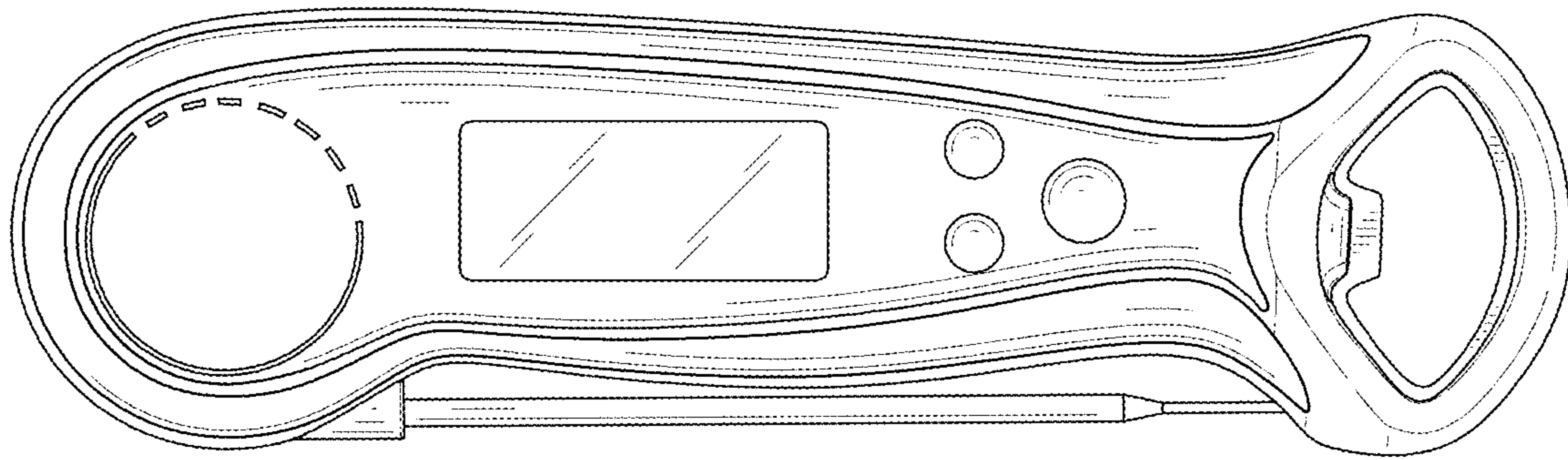


FIG. 3

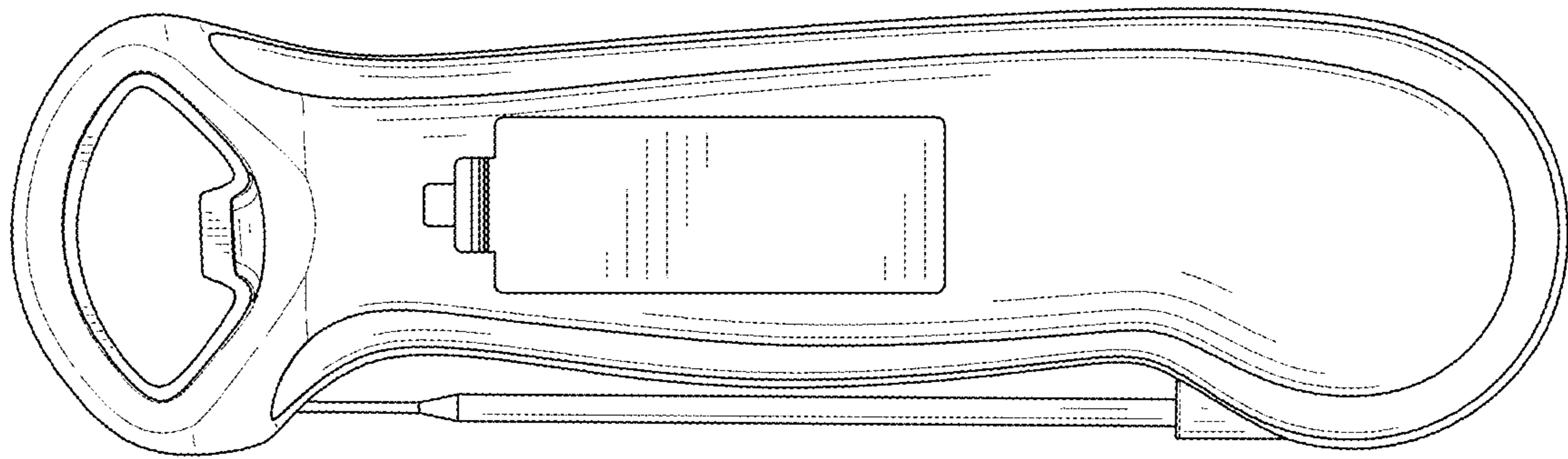


FIG. 4

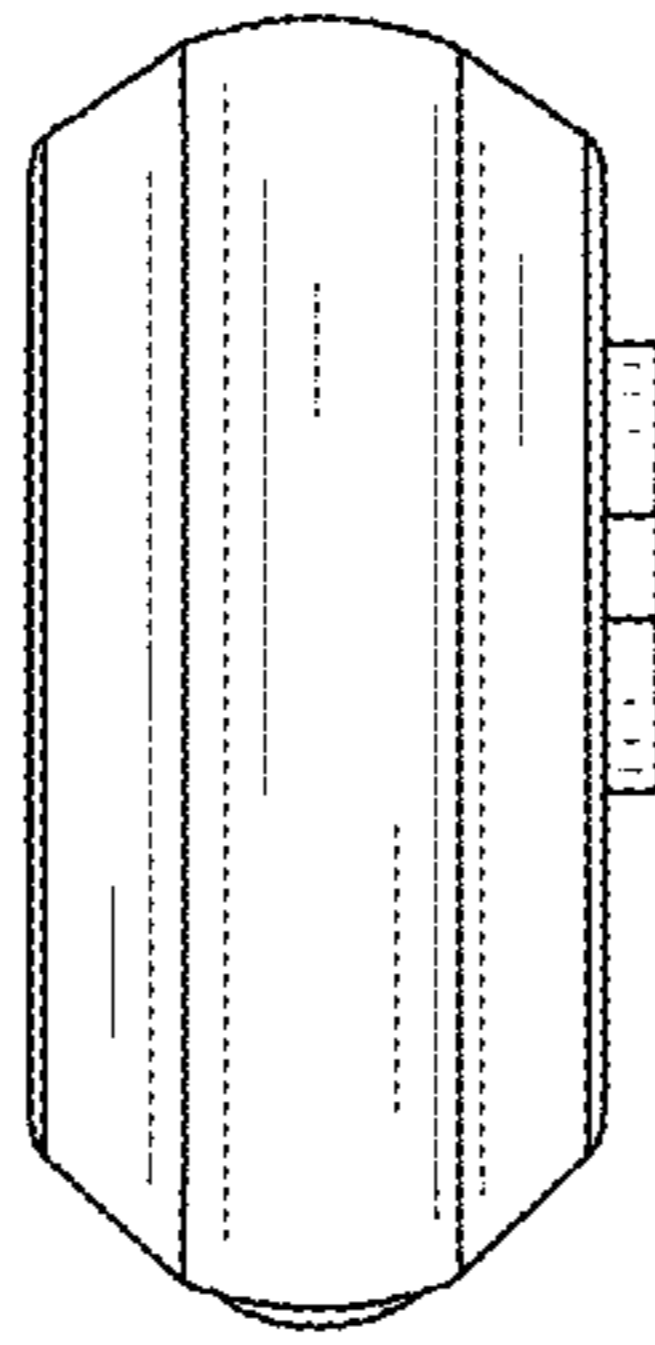


FIG. 5

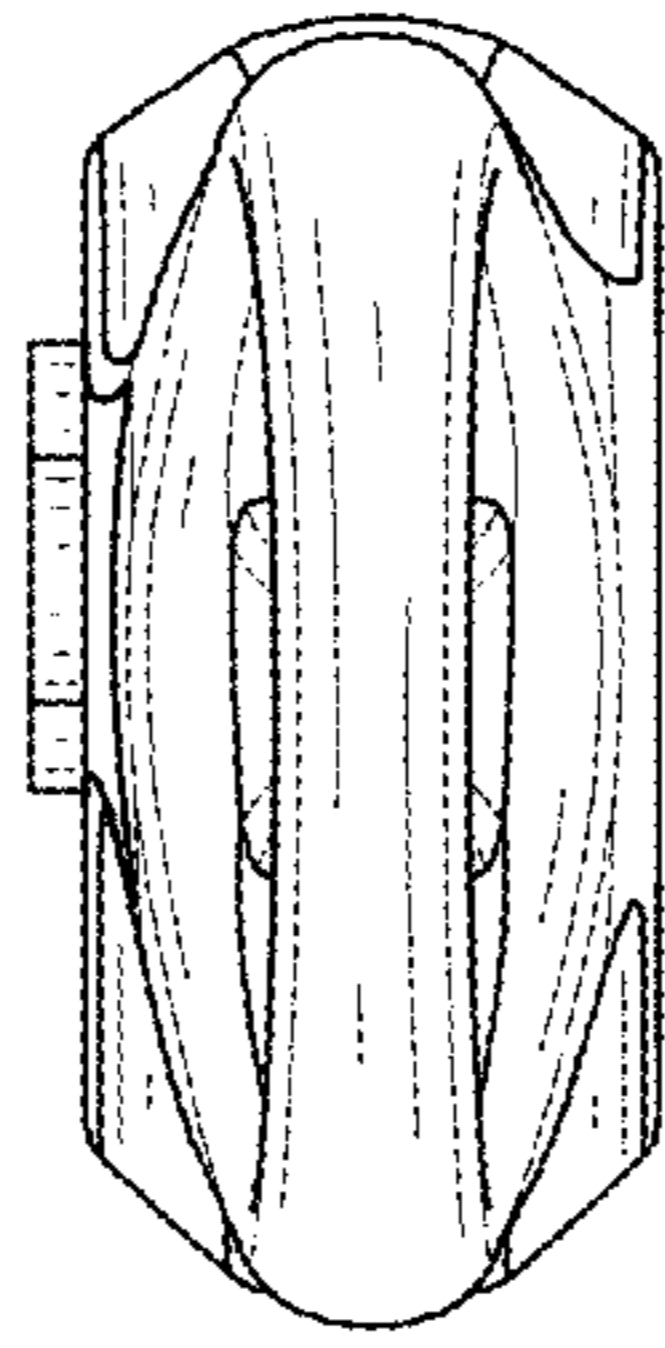


FIG. 6

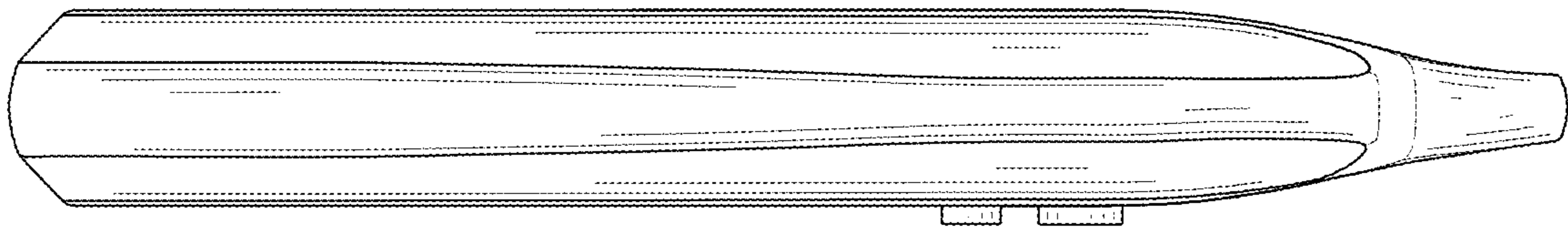


FIG. 7

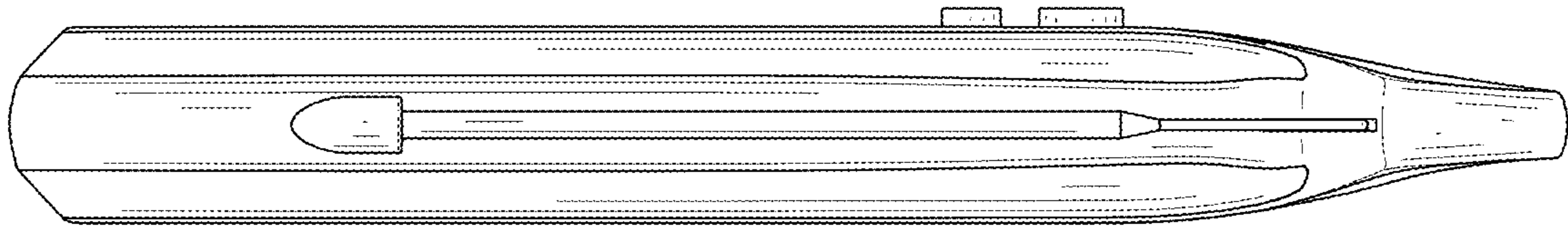


FIG. 8