



US00D953893S

(12) **United States Design Patent** (10) **Patent No.:** **US D953,893 S**
Klausnitzer et al. (45) **Date of Patent:** **** Jun. 7, 2022**

(54) **SENSOR SUPPORT**
(71) Applicant: **EnOcean GmbH**, Oberhaching (DE)
(72) Inventors: **Sven Klausnitzer**, Unterhaching (DE);
Andreas Schneider, Munich (DE)
(73) Assignee: **EnOcean GmbH**, Oberhaching (DE)
(**) Term: **15 Years**
(21) Appl. No.: **35/508,410**
(22) Filed: **Aug. 14, 2019**

D562,780 S * 2/2008 Egea Soler D13/177
D642,081 S * 7/2011 Kashimoto D10/49
D679,243 S * 4/2013 Chilton D13/102
D742,335 S * 11/2015 Yamaguchi D13/168
D746,705 S * 1/2016 Primiani D10/50
D748,572 S * 2/2016 Becker D13/102
D757,538 S * 5/2016 Tam D9/432
D762,163 S * 7/2016 Parilla D13/102
D768,515 S * 10/2016 Weiss D10/49
D782,354 S * 3/2017 Lovin D10/101
D787,357 S * 5/2017 Akana D10/104.1

(Continued)

(80) **Hague Agreement Data**

Int. Filing Date: **Aug. 14, 2019**
Int. Reg. No.: **DM/205382**
Int. Reg. Date: **Aug. 14, 2019**
Int. Reg. Pub. Date: **Jan. 31, 2020**

FOREIGN PATENT DOCUMENTS

EP 1413490 A2 * 4/2004 B60S 1/0822
HU 1700101 * 10/2017
KR 3020170055686 * 9/2018

Primary Examiner — Samantha Wood

(74) *Attorney, Agent, or Firm* — Fitch, Even, Tabin & Flannery, LLP

(30) **Foreign Application Priority Data**

Feb. 15, 2019 (EM) 006256038-0001
Feb. 15, 2019 (EM) 006256038-0002
Feb. 15, 2019 (EM) 006256038-0003
Feb. 15, 2019 (EM) 006256038-0008

(57) **CLAIM**

The ornamental design for a sensor support, as shown and described.

(51) **LOC (13) Cl.** **10-07**

(52) **U.S. Cl.**
USPC **D10/46**

DESCRIPTION

(58) **Field of Classification Search**

USPC D10/46, 104.1, 103, 52, 56, 57, 49, 50,
D10/75, 80; D13/126, 158, 173, 177,
D13/102, 139.1, 101, 103, 118; D16/203
CPC E06B 9/00; E06B 9/01; B60G 2401/00;
B60G 2401/10; B60G 2401/17; B60G
2401/90; B60G 2401/902; B60G
2401/904; B60G 2600/04; B60G
2600/044

- 1.1 : Front
- 1.2 : Side
- 1.3 : Top
- 1.4 : Bottom
- 1.5 : Back
- 1.6 : Perspective top
- 1.7 : Perspective bottom

See application file for complete search history.

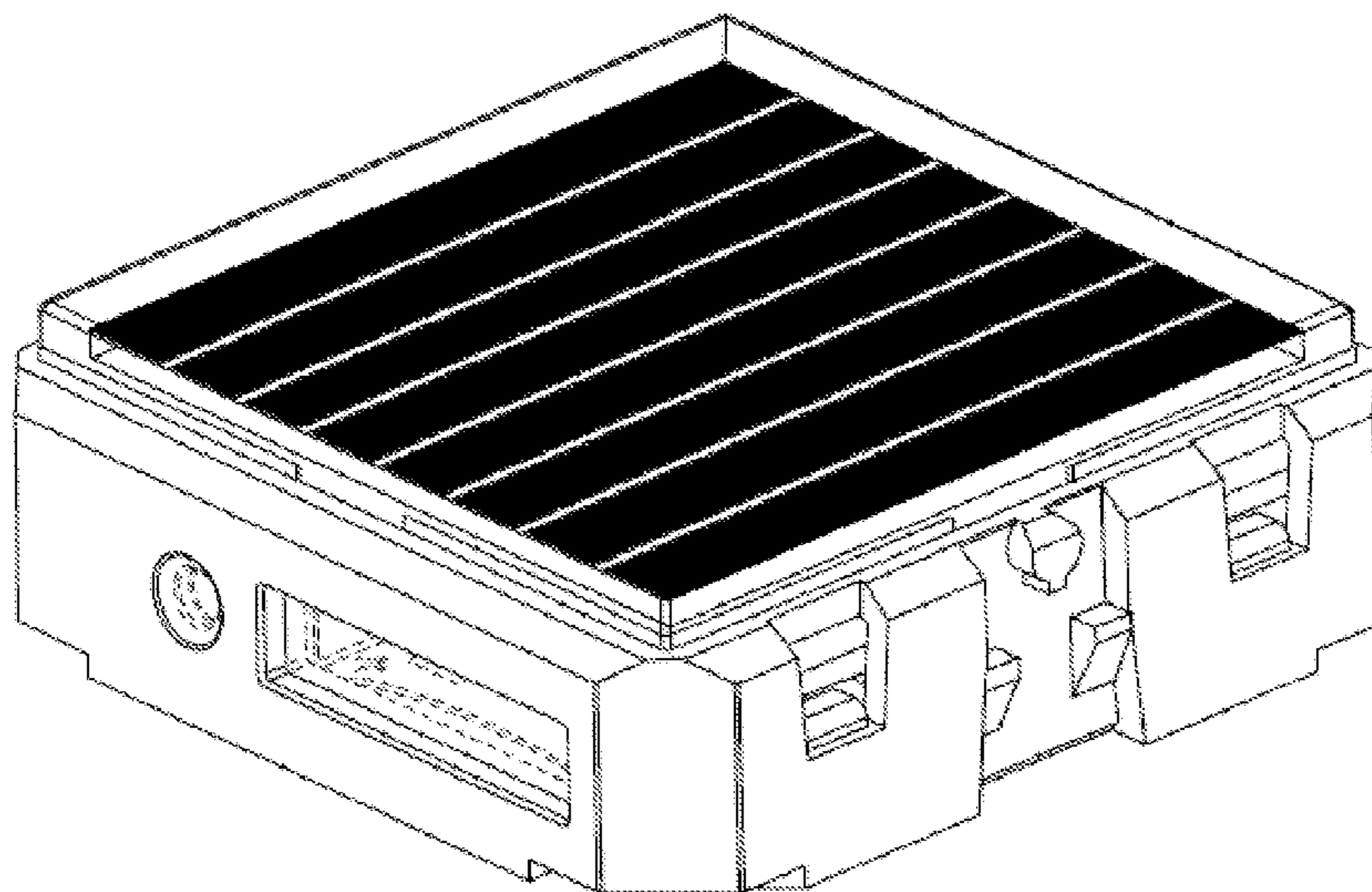
The portion of the design shown in the color black is for the purpose of illustrating portions of the sensor support and forms no part of the claimed design. The broken lines shown in the disclosure depict portions of the sensor support that form no part of the claimed design.

(56) **References Cited**

U.S. PATENT DOCUMENTS

D319,403 S * 8/1991 Tiedemann D10/50
D518,744 S * 4/2006 Rosen D10/50

1 Claim, 7 Drawing Sheets



(56)

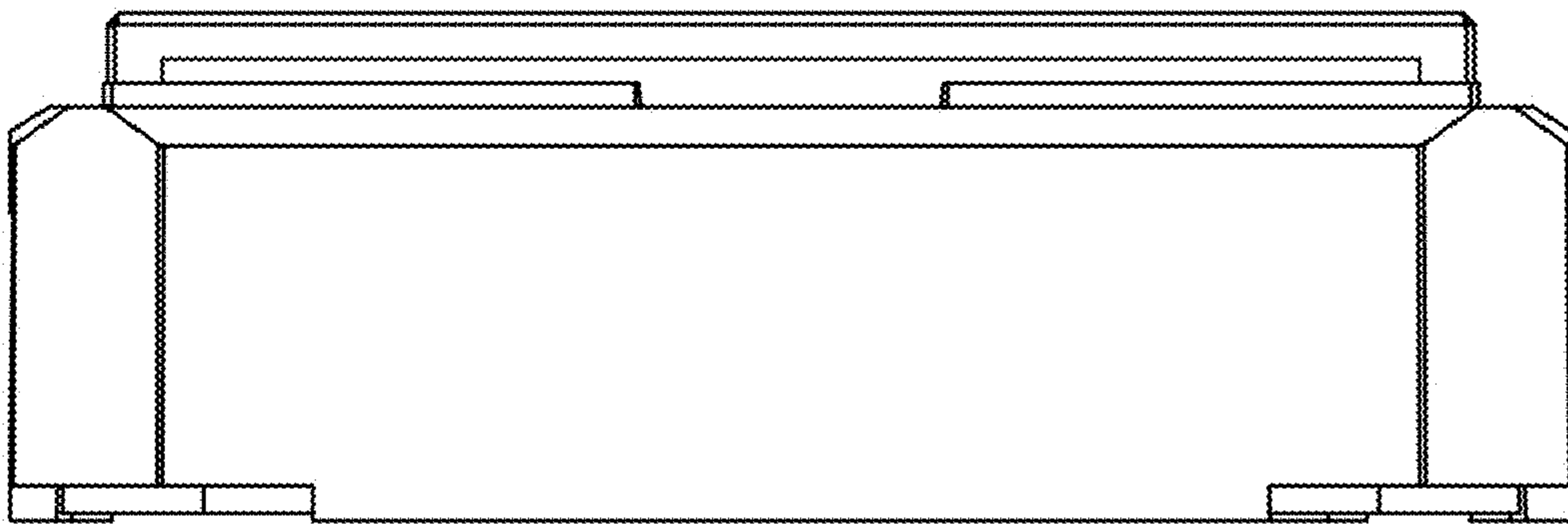
References Cited

U.S. PATENT DOCUMENTS

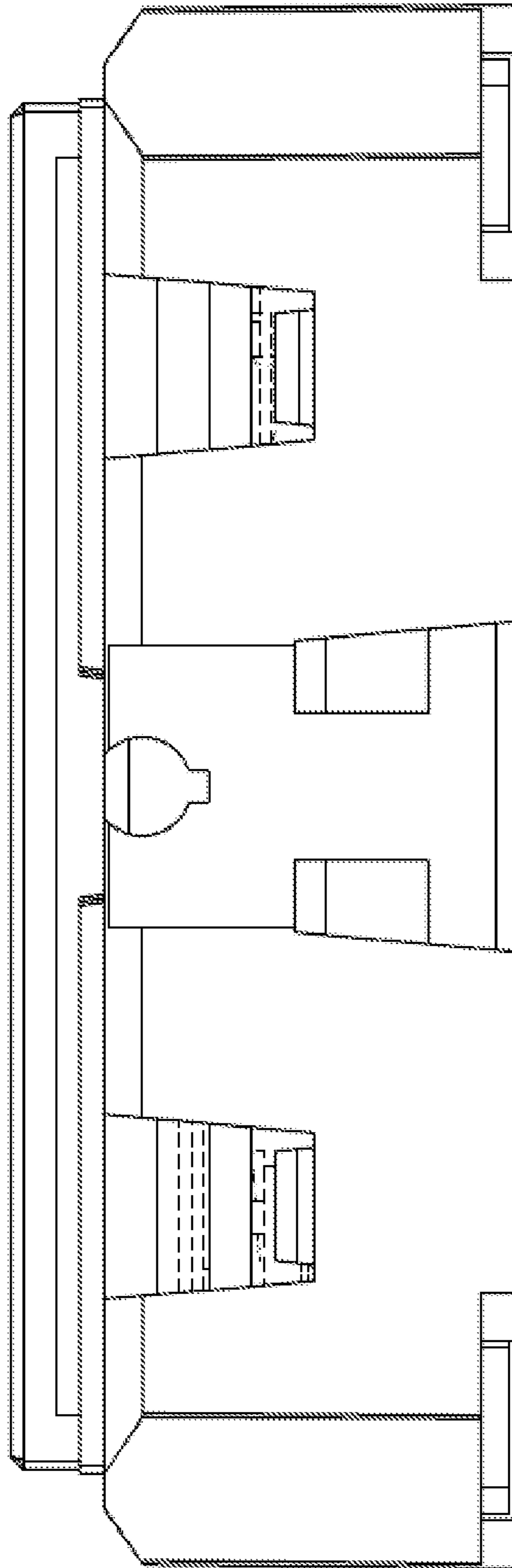
10,028,278 B2 * 7/2018 Schmidt H04W 72/0453
2007/0181271 A1 * 8/2007 Earnest E06B 7/32
160/368.1

* cited by examiner

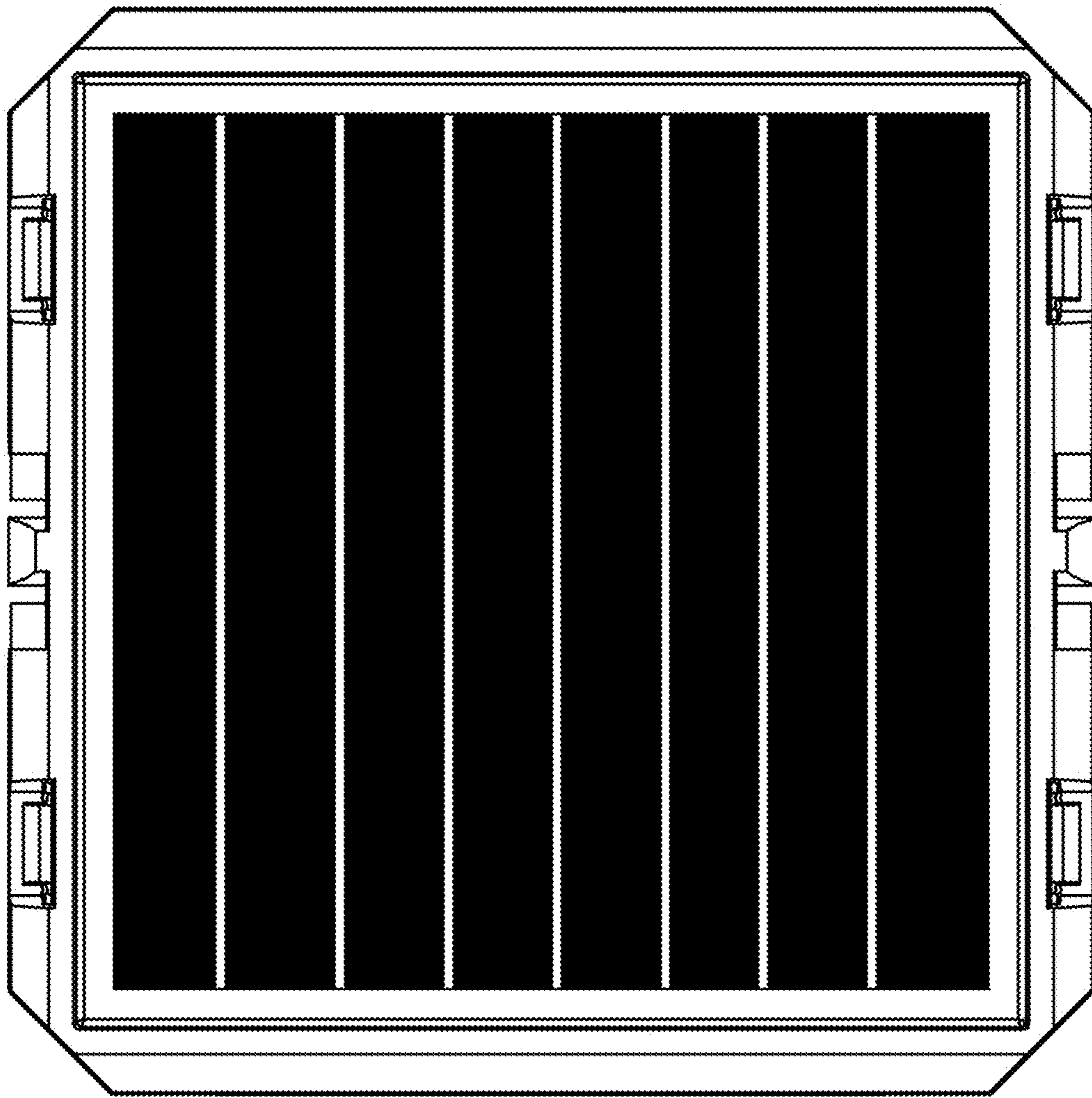
1.1



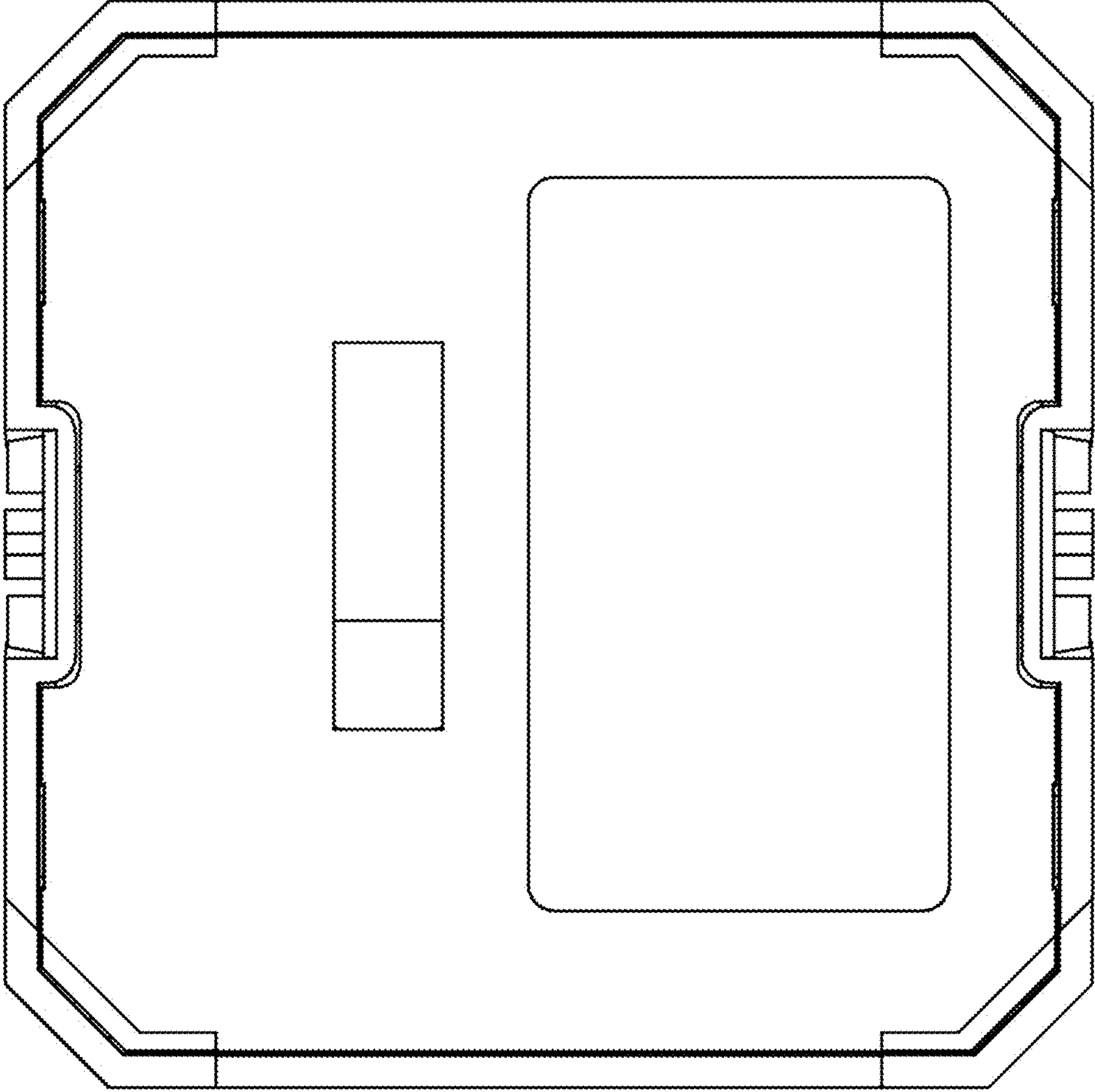
1.2



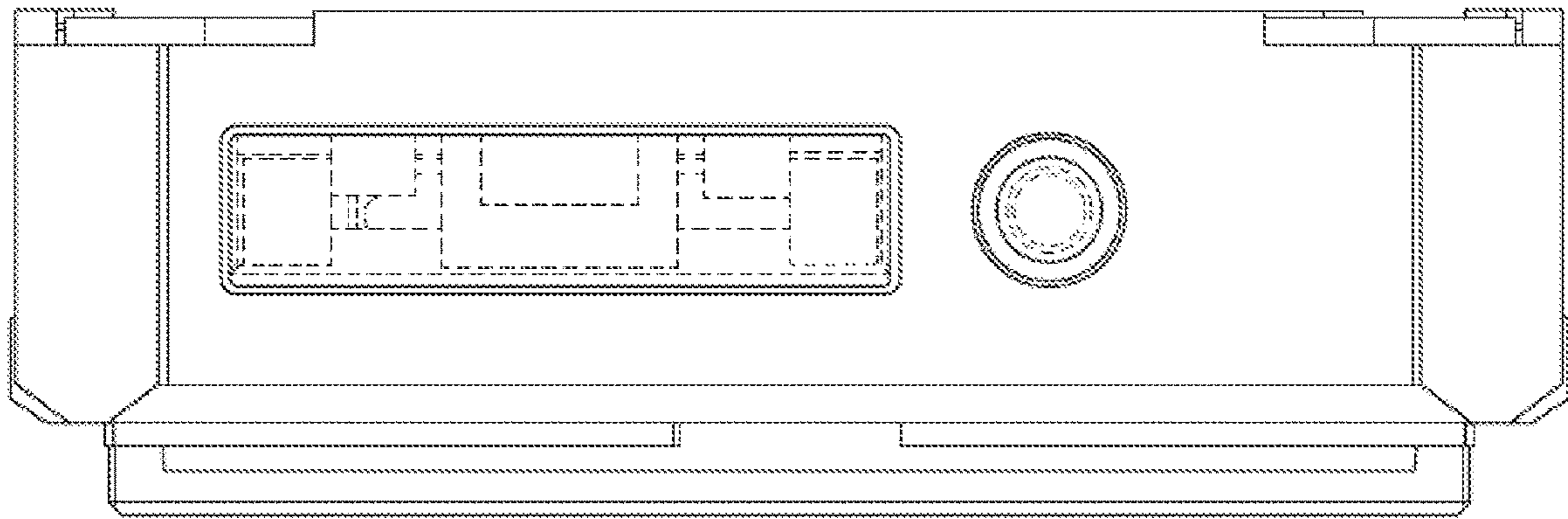
1.3



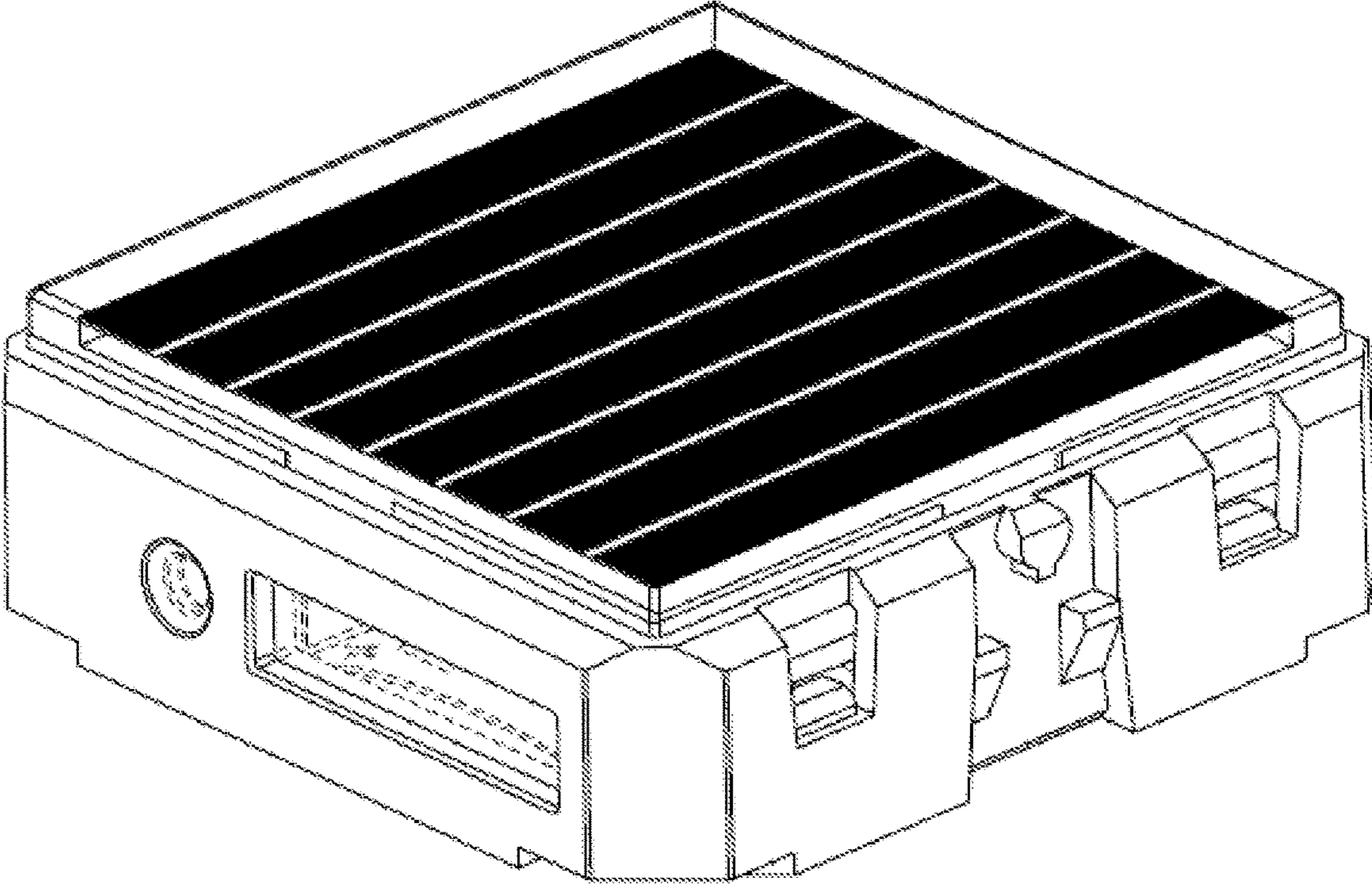
1.4



1.5



1.6



1.7

