



US00D953892S

(12) **United States Design Patent**
Kiseleva

(10) **Patent No.:** **US D953,892 S**
(45) **Date of Patent:** **** Jun. 7, 2022**

- (54) **WATCH WITH A QR CODE**
- (71) Applicant: **Ksenia Kiseleva**, Dubai (AE)
- (72) Inventor: **Ksenia Kiseleva**, Dubai (AE)
- (**) Term: **15 Years**
- (21) Appl. No.: **29/698,242**
- (22) Filed: **Jul. 15, 2019**
- (51) **LOC (13) Cl.** **10-02**
- (52) **U.S. Cl.**
USPC **D10/39**
- (58) **Field of Classification Search**
USPC D10/30, 31, 32, 33, 34, 35, 36, 37, 38,
D10/39, 122, 123, 124, 125, 126, 103,
D10/128, 129, 102, 132; D14/137,
D14/138 R, 344
CPC G04B 37/00; G04B 37/0008; G04B
37/0016; G04B 37/005; G04B 37/04;
G04B 37/0427; G04B 37/05; G04B
19/00; G04B 19/10; G04B 19/12; G04B
19/14; G04B 19/16; G04B 19/18; G04B
19/20; G04B 19/22; G04B 19/223; G04B
19/225; G04B 19/30
See application file for complete search history.

(56) **References Cited**
U.S. PATENT DOCUMENTS

D75,549 S *	6/1928	Conant	D10/38
D377,627 S *	1/1997	Svast	D10/126
D382,211 S *	8/1997	Bodino	D10/30
D440,888 S *	4/2001	Strasser	D10/30
D454,802 S *	3/2002	Hegi	D10/39
D473,802 S *	4/2003	Berliat	D10/39
D496,589 S *	9/2004	Perrenoud	D10/30
D502,885 S *	3/2005	Nataf	D10/125
D507,974 S *	8/2005	Strasser	D10/30
D519,390 S *	4/2006	Lovegrove	D10/39
D531,524 S *	11/2006	Behling	D10/38
D540,699 S *	4/2007	Niculescu	D10/39
D542,159 S *	5/2007	Junod	D10/38

D558,615 S *	1/2008	Sirmakes	D10/39
D560,124 S *	1/2008	Sirmakes	D10/32
D570,710 S *	6/2008	Wong	D10/30

(Continued)

FOREIGN PATENT DOCUMENTS

CH	1347964 A4 *	8/1966	G04B 39/02
----	--------------	--------	-------	------------

OTHER PUBLICATIONS

A Blog to Watch, Frank Muller Launches Bitcoin Watch in Partnership with Regal Assets, posted Jun. 21, 2019, [online], [visited Feb. 26, 2021]. Internet, <URL: <https://www.ablogtowatch.com/franck-muller-launches-bitcoin-watch-in-partnership-with-regal-assets/>> (Year: 2019).*

(Continued)

Primary Examiner — Samantha Wood
(74) *Attorney, Agent, or Firm* — QuickPatents; Kevin Prince

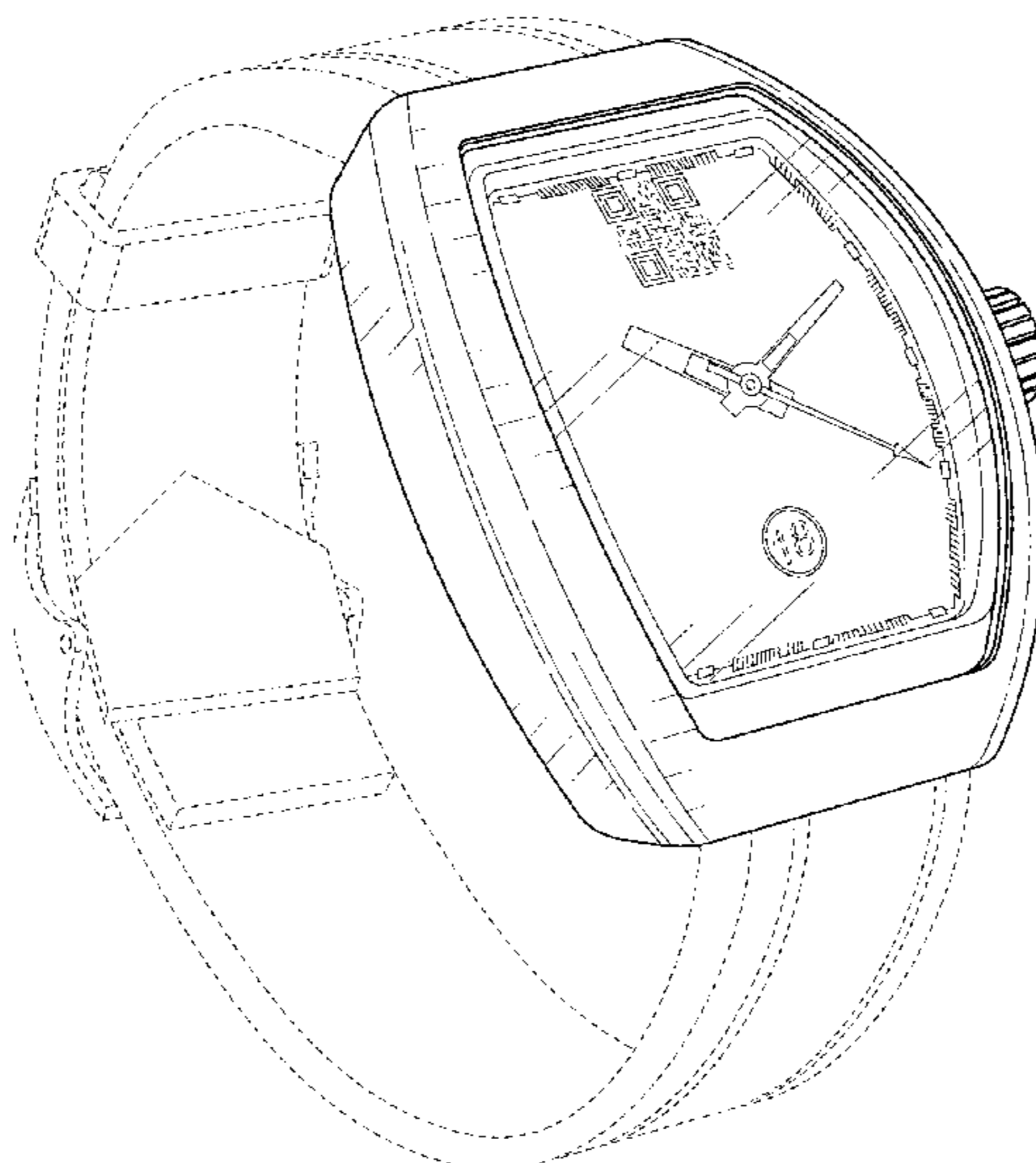
(57) **CLAIM**

The ornamental design for a watch with a QR code, as shown and described.

DESCRIPTION

FIG. 1 is a perspective view of a watch with a QR code, showing my new design;
FIG. 2 is a front elevation view thereof;
FIG. 3 is a rear elevation view thereof;
FIG. 4 is a left side elevation view thereof;
FIG. 5 is a right side elevation view thereof;
FIG. 6 is a top plan view thereof; and,
FIG. 7 is a bottom plan view thereof.
The broken lines showing a wrist band in the figures depict environmental matter and form no part of the claimed design. The remaining broken lines, including a data portion of the QR code, depict portions of the watch that form no part of the claimed design.

1 Claim, 6 Drawing Sheets



(56)

References Cited

U.S. PATENT DOCUMENTS

D600,143 S *	9/2009	Kawashima	D10/32
D613,621 S *	4/2010	Jorst	D10/39
D617,212 S *	6/2010	Behling	D10/38
D621,735 S *	8/2010	Rabassa	D10/125
D681,483 S *	5/2013	Biegert	D10/39
D732,413 S *	6/2015	Sirmakes	D10/123
D751,928 S *	3/2016	Shaanan	D10/38

OTHER PUBLICATIONS

Youtube, Frank Muller Vanguard Encrypto Limited Edition, posted Jun. 27, 2019, [online], [visited Feb. 26, 2021]. Internet, <URL: https://www.youtube.com/watch?v=3d0_xoBKOvs&feature=emb_logo> (Year: 2019).*

Amazon, Bering Men's Analogue Watch, posted Sep. 6, 2018, [online], [visited Feb. 26, 2021]. Internet, <URL: <https://www.amazon.co.uk/Bering-16433-002-Armbanduhr/dp/B07DJ8ZWJT/ref>> (Year: 2018).*

Amazon, FEICE Square Watch Mechanical with Automatic movement, posted Jul. 10, 2019, [online], [visited Feb. 26, 2021]. Internet, <URL: <https://www.amazon.co.uk/Automatic-FEICE-Sapphire-Classic-Wristwatch/dp/B083BKTBCG/ref>> (Year: 2019).*

Youtube, Movado2.MOV, posted Sep. 7, 2011, [online], [visited Apr. 8, 2021]. Internet, <URL: <https://www.youtube.com/watch?v=VsuXw90Eyaw>> (Year: 2011).*

Amazon, Titan Analog Black Dial Men's Watch, posted Apr. 28, 2014, [online], [visited Apr. 8, 2021]. Internet, <URL: <https://www.amazon.in/Titan-Analog-Black-Dial-Watch-NK1596NL01/dp/B00JZR18IM/ref>> (Year: 2014).*

Amazon, Hugo Boss Women's Analog Watch, posted Aug. 2, 2018, [online], [visited Apr. 8, 2021]. Internet, <URL: <https://www.amazon.co.uk/Hugo-Analogue-Classic-Leather-1502435/dp/B07G4VWDNY/ref>> (Year: 2018).*

Amazon, FASCINO Stylish Watch, posted Mar. 13, 2019, [online], [visited Apr. 8, 2021]. Internet, <URL: <https://www.amazon.in/FASCINO-Stylish-FCW-2628-CP-Leather/dp/B07PQT3XQG/ref>> (Year: 2019).*

* cited by examiner

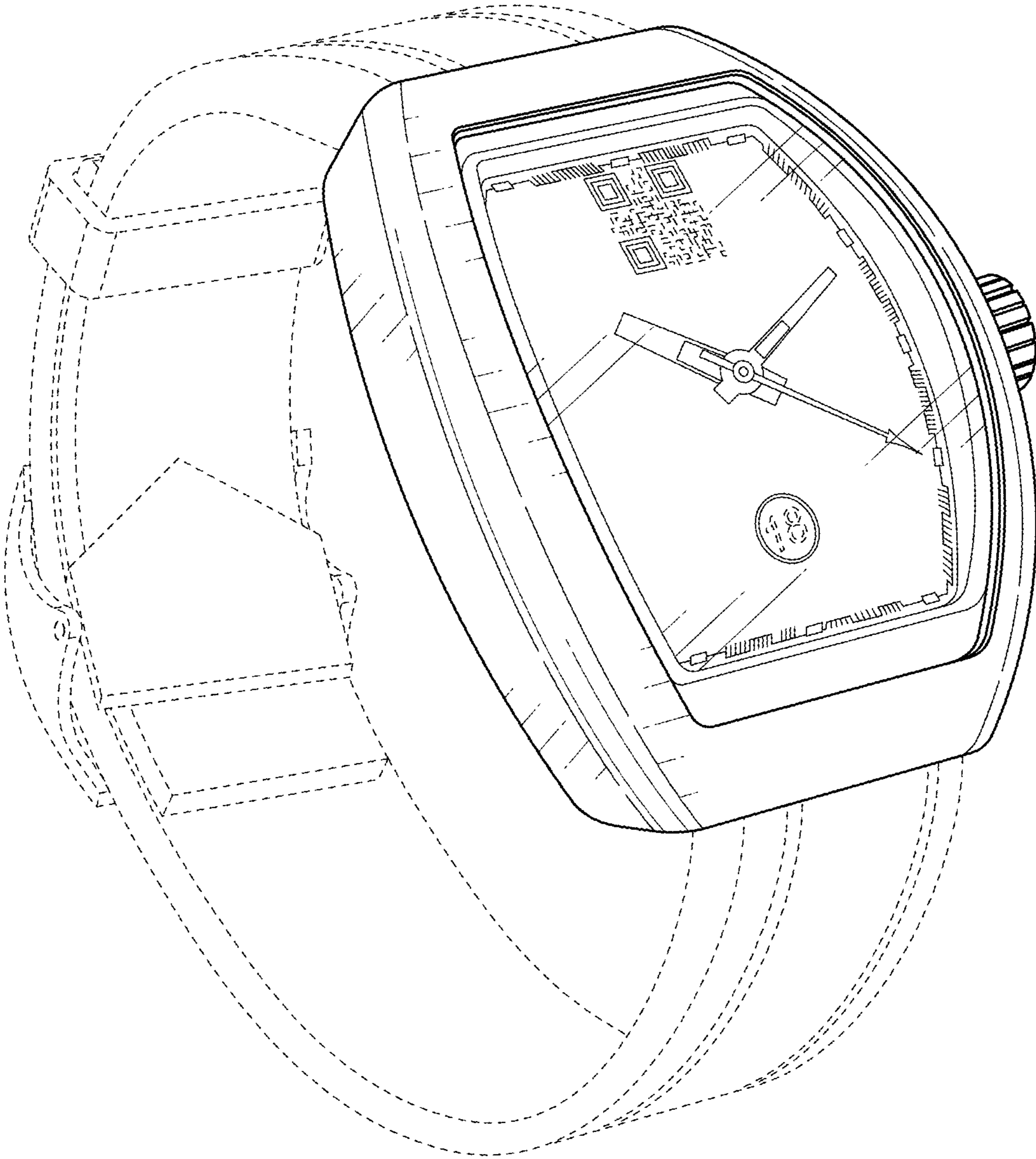


FIG. 1

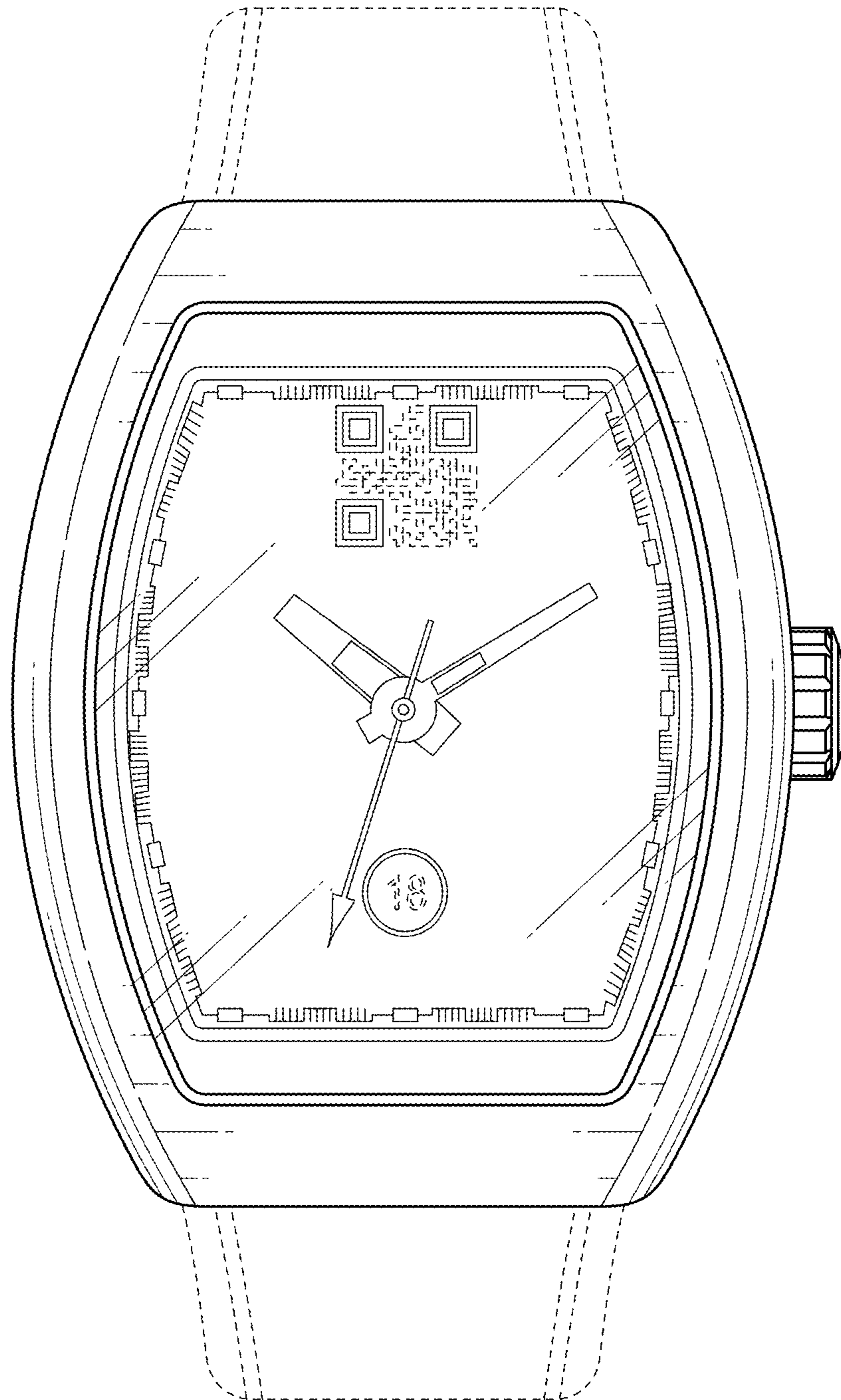


FIG. 2

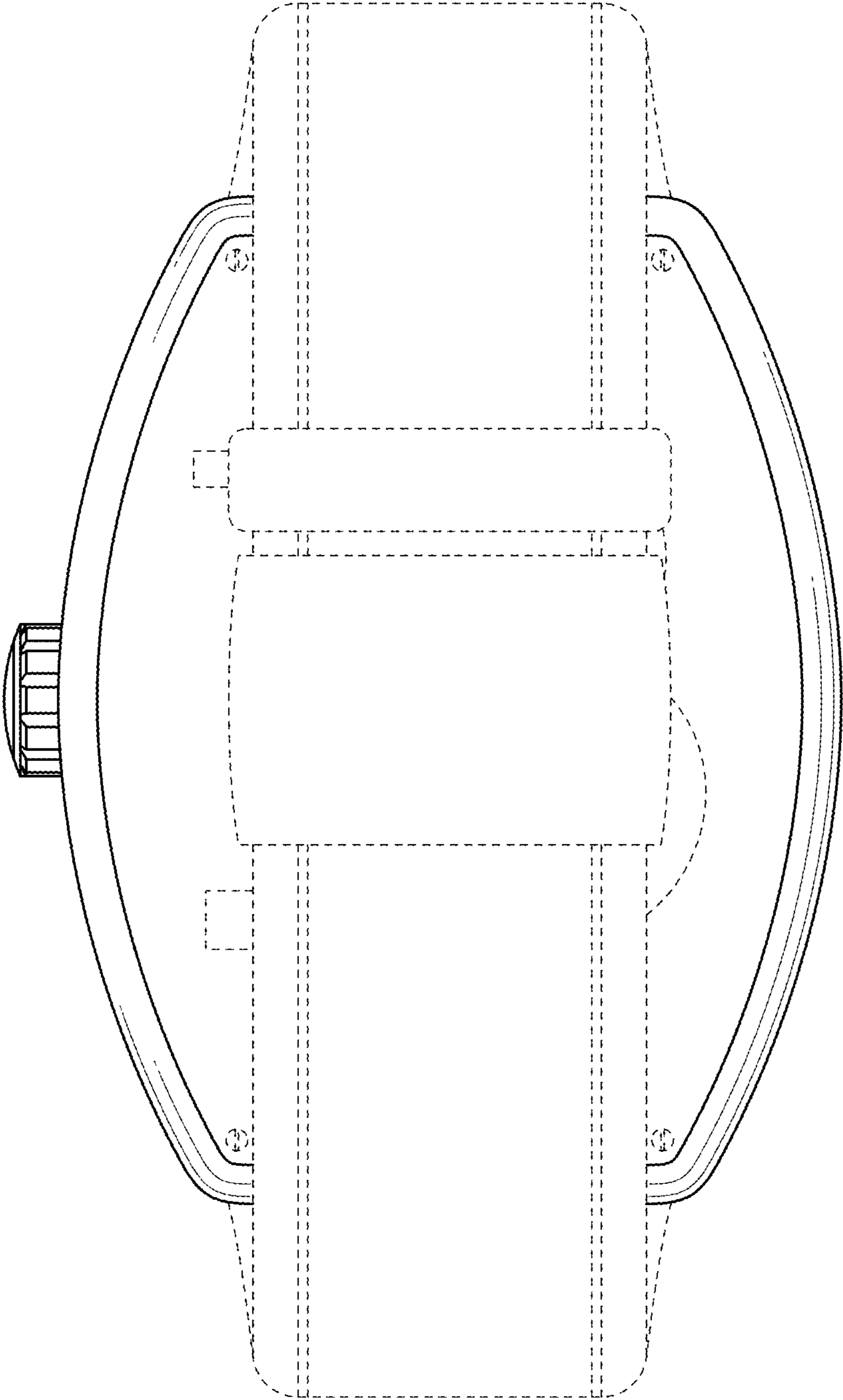


FIG. 3

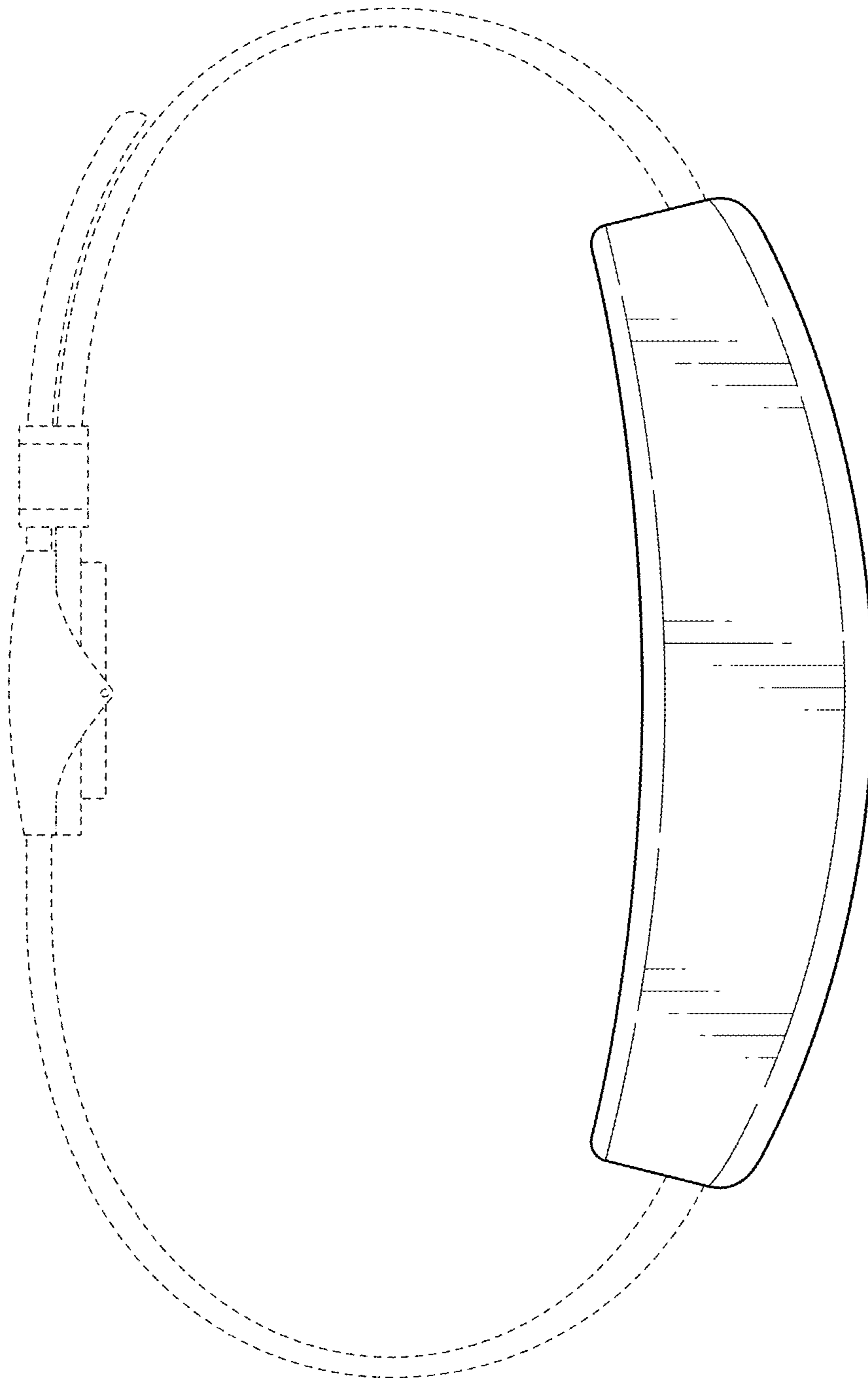


FIG. 4

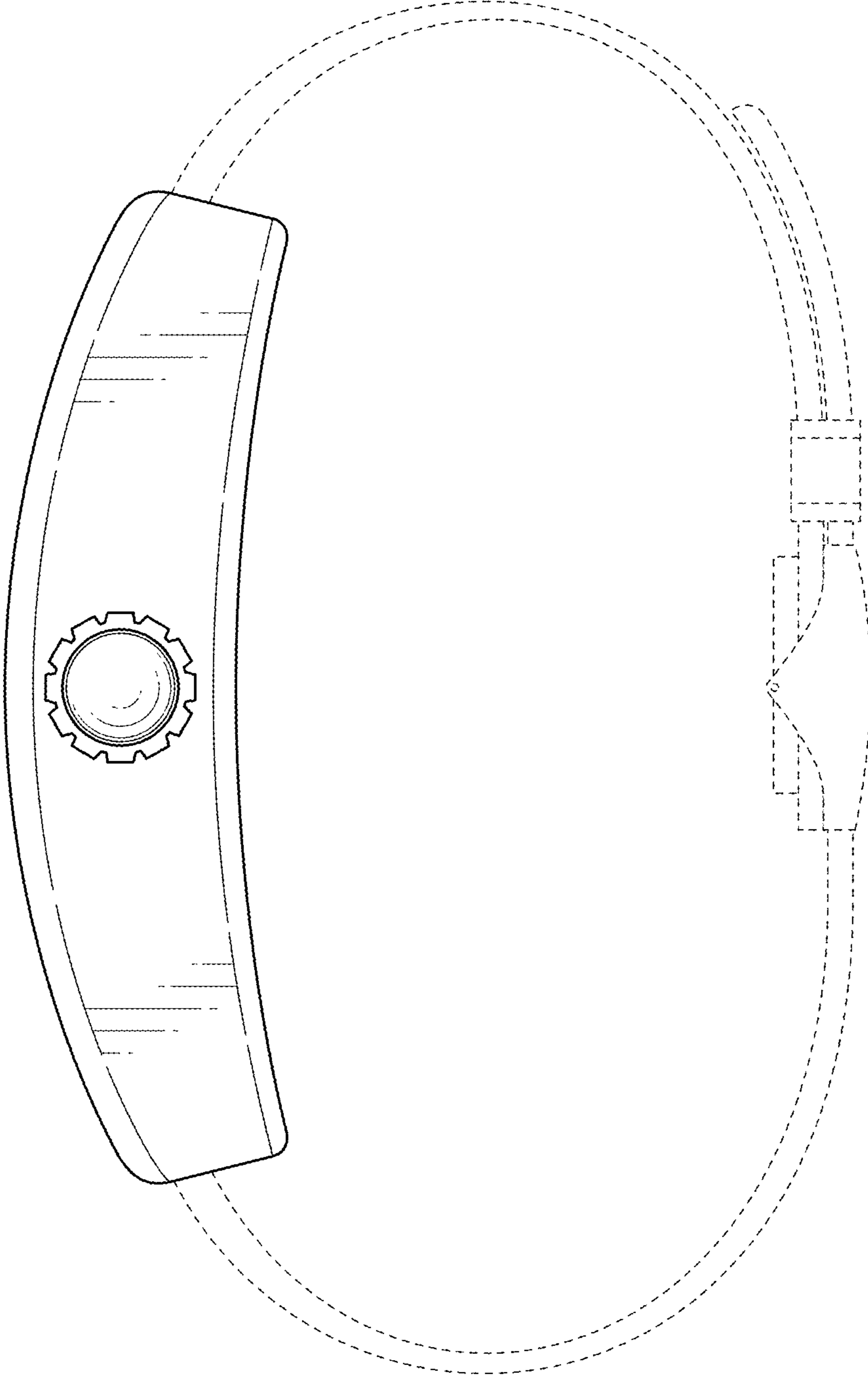


FIG. 5

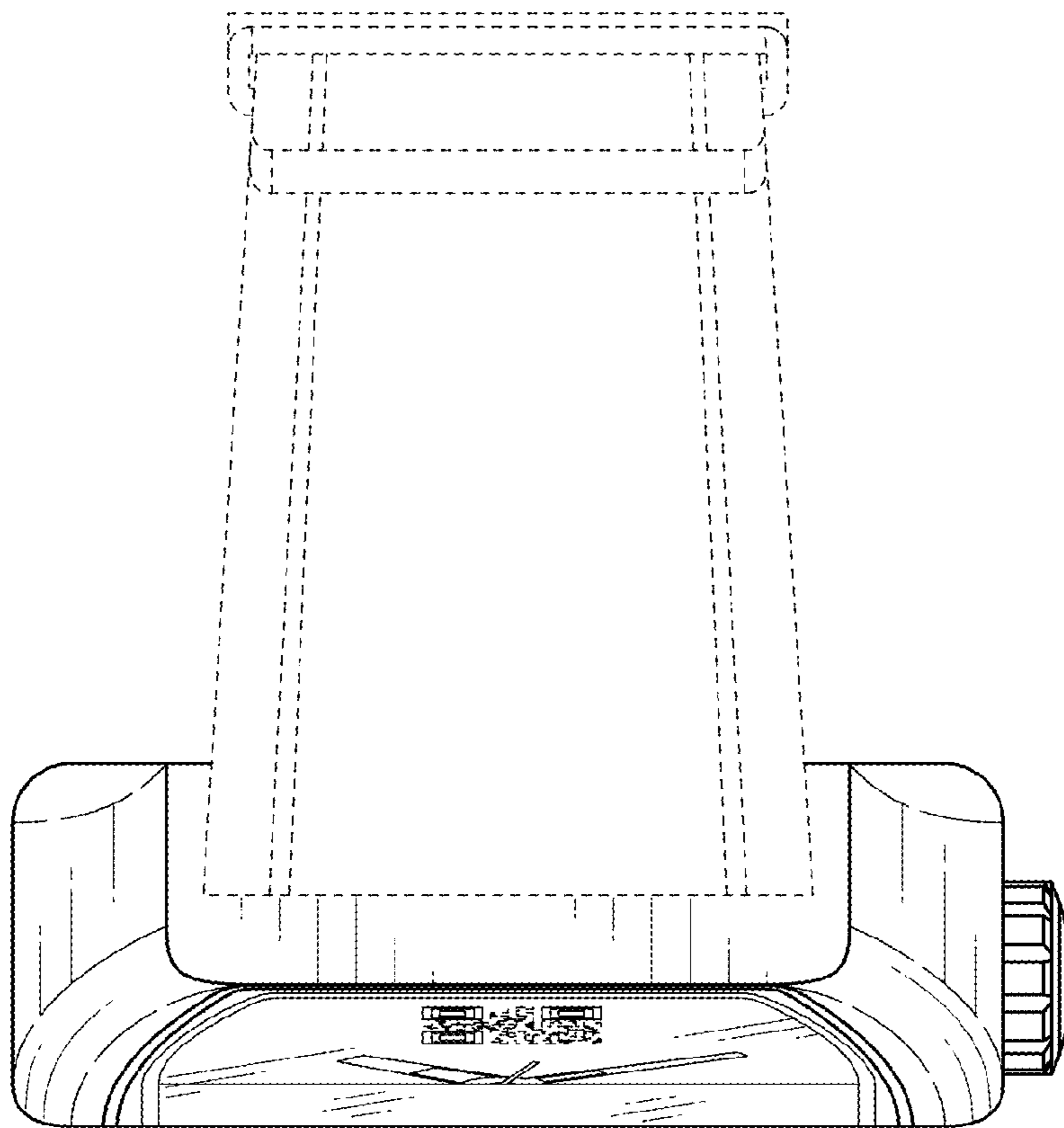


FIG. 6

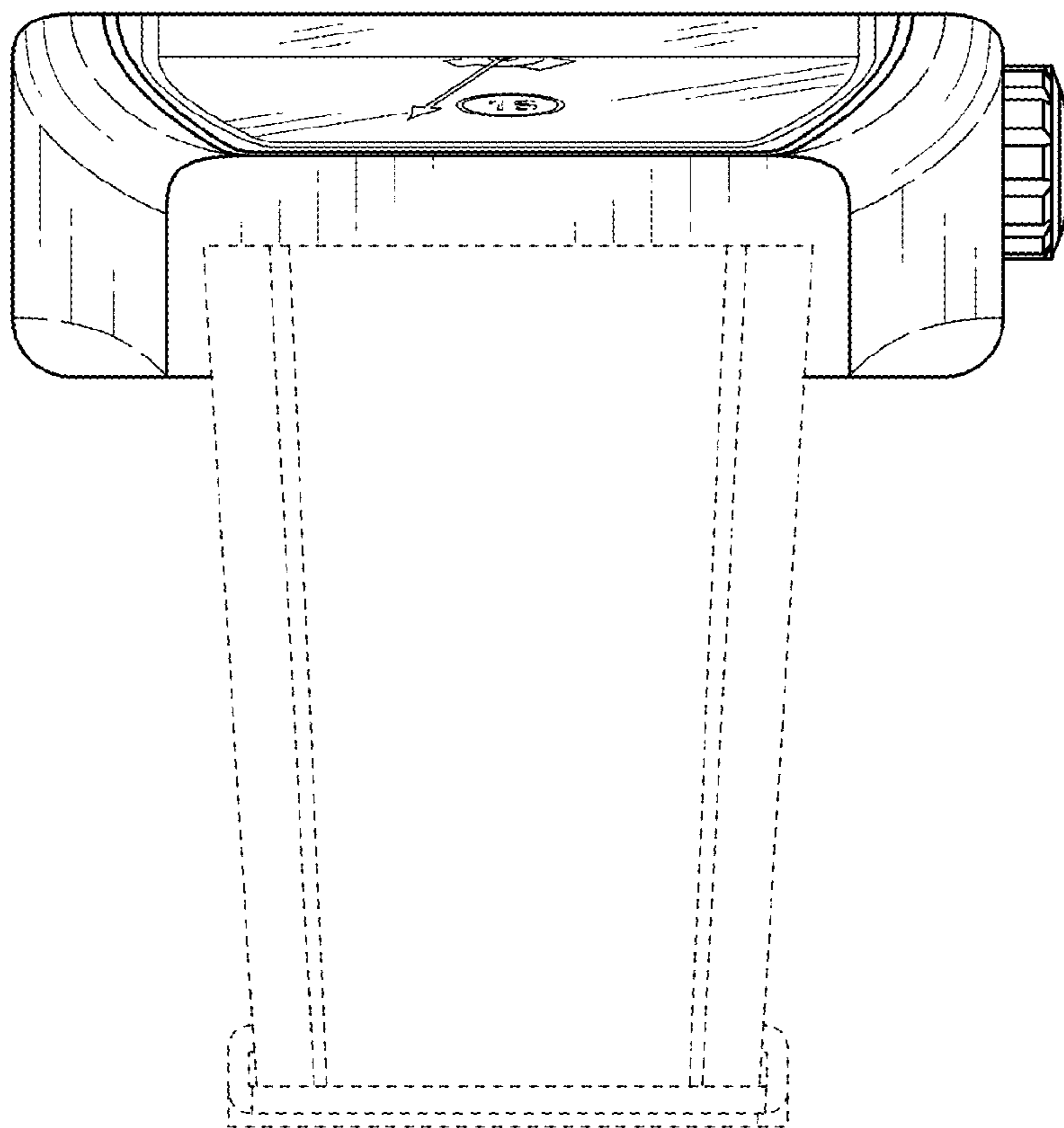


FIG. 7