



US00D953891S

(12) **United States Design Patent** (10) **Patent No.:** **US D953,891 S**
Byler et al. (45) **Date of Patent:** **** Jun. 7, 2022**

- (54) **WATCH**
- (71) Applicant: **Wahoo Fitness L.L.C.**, Atlanta, GA (US)
- (72) Inventors: **Shane A. Byler**, Atlanta, GA (US);
Steven L. Jarvis, Portland, OR (US)
- (73) Assignee: **Wahoo Fitness L.L.C.**, Atlanta, GA (US)
- (**) Term: **15 Years**
- (21) Appl. No.: **29/756,384**
- (22) Filed: **Oct. 28, 2020**
- (51) **LOC (13) Cl.** **10-02**
- (52) **U.S. Cl.**
USPC **D10/38**; D14/344
- (58) **Field of Classification Search**
USPC D10/30-39, 65, 70; D11/3; D14/344,
D14/440; D24/167, 186
CPC A44C 5/00; A44C 5/0007; A44C 5/0023;
A44C 5/0053; A44C 5/147; A44C 5/18;
G04B 45/00; G04B 45/02; G04B
45/0069; G04B 45/0076
See application file for complete search history.

(56) **References Cited**

U.S. PATENT DOCUMENTS

- D251,055 S * 2/1979 Sulek D10/38
- D370,640 S * 6/1996 Oba D10/39
- D376,544 S * 12/1996 Egbert D10/30
- D410,852 S * 6/1999 Riley D10/30
- D430,809 S * 9/2000 Polenberg D10/30
- D457,073 S * 5/2002 Scarinzi D10/30
- D538,184 S * 3/2007 Scheufele D10/39
- D664,865 S * 8/2012 Luk Ying Yee D10/38
- D756,240 S * 5/2016 Register et al.
- D785,468 S * 5/2017 White D10/38

- D795,707 S * 8/2017 Monachon D10/30
- D805,405 S 12/2017 Henne et al.
- D805,406 S 12/2017 Register et al.
- D806,581 S 1/2018 Register et al.
- D815,090 S * 4/2018 Chan D14/344
- D817,952 S * 5/2018 Choi D14/344
- D823,853 S * 7/2018 Yoshimoto D14/344
- D827,831 S * 9/2018 Fong D24/167
- D844,458 S * 4/2019 Lillquist D10/30
- D851,504 S * 6/2019 Henne D10/30
- D861,676 S * 10/2019 Mistry D14/344
- D881,875 S * 4/2020 Ke D14/344
- D890,751 S * 7/2020 Kujala D14/344
- D894,179 S * 8/2020 Chung D14/344
- D900,643 S * 11/2020 Barberis D10/38
- D900,644 S * 11/2020 Register D10/38
- D901,492 S * 11/2020 Gao D14/344
- D902,920 S * 11/2020 Bang D14/344
- D912,540 S * 3/2021 Connor D10/38

(Continued)

Primary Examiner — Katherine Glennon
(74) *Attorney, Agent, or Firm* — Harness, Dickey & Pierce, P.L.C.

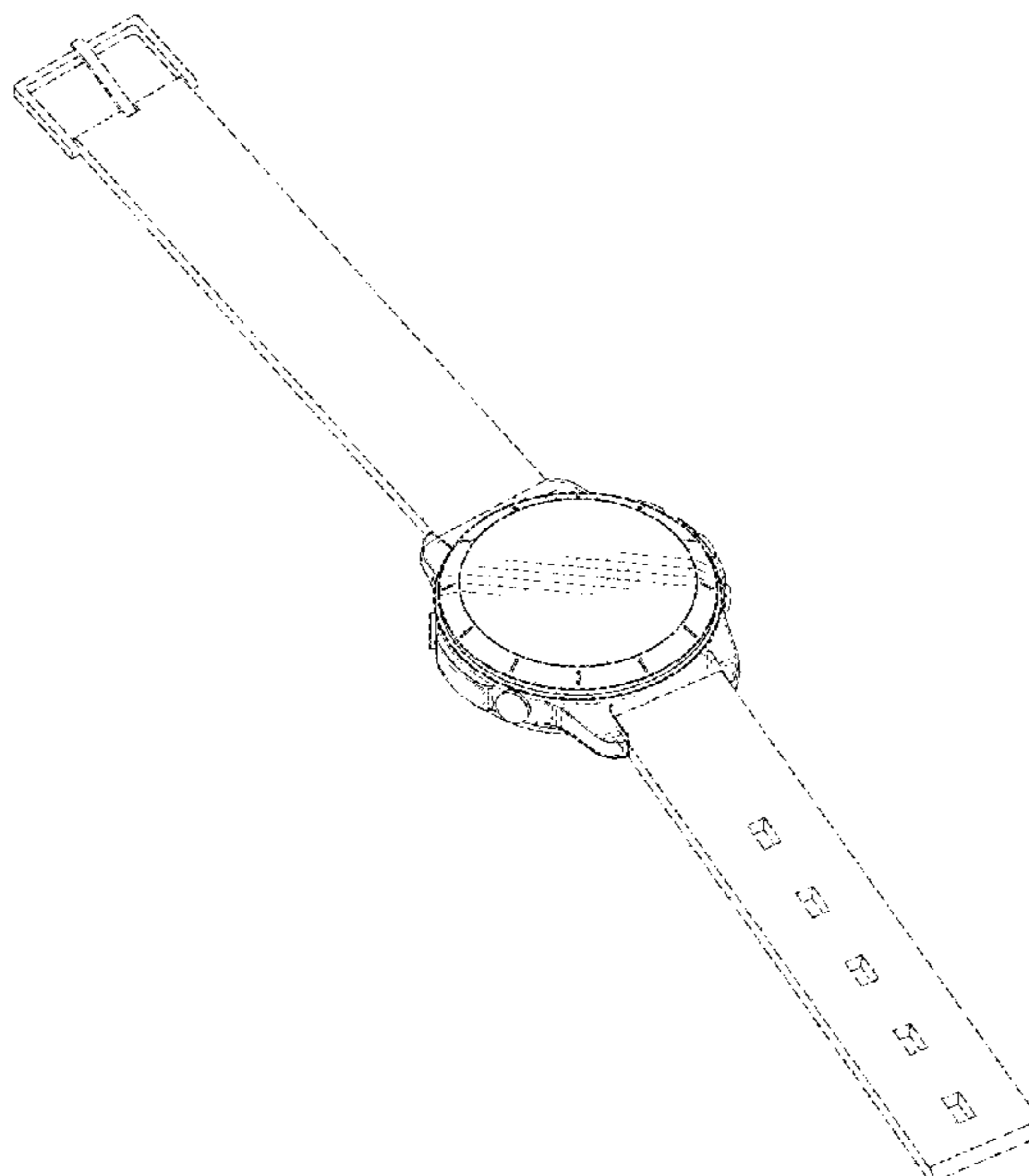
(57) **CLAIM**

The ornamental design for a watch, as shown and described.

DESCRIPTION

FIG. 1 is a front perspective view of a watch with a watch strap according to the present invention;
FIG. 2 is an enlarged perspective view of the watch;
FIG. 3 is another enlarged perspective view of the watch;
FIG. 4 is a front view of the watch;
FIG. 5 is a rear view of the watch;
FIG. 6 is a top view of the watch;
FIG. 7 is a bottom view of the watch;
FIG. 8 is a left side view of the watch; and,
FIG. 9 is a right side view of the watch.
The broken lines show portions of the watch that form no part of the claimed design.

1 Claim, 7 Drawing Sheets



(56)

References Cited

U.S. PATENT DOCUMENTS

D913,118 S * 3/2021 Moilanen D10/38
D923,004 S * 6/2021 Gao D14/344
D927,991 S * 8/2021 Ide D10/38
D928,147 S * 8/2021 Lee D14/344
D937,101 S * 11/2021 Yuan D10/38
2017/0242401 A1* 8/2017 White G04G 21/06
2021/0195772 A1* 6/2021 Ko G04G 17/00

* cited by examiner

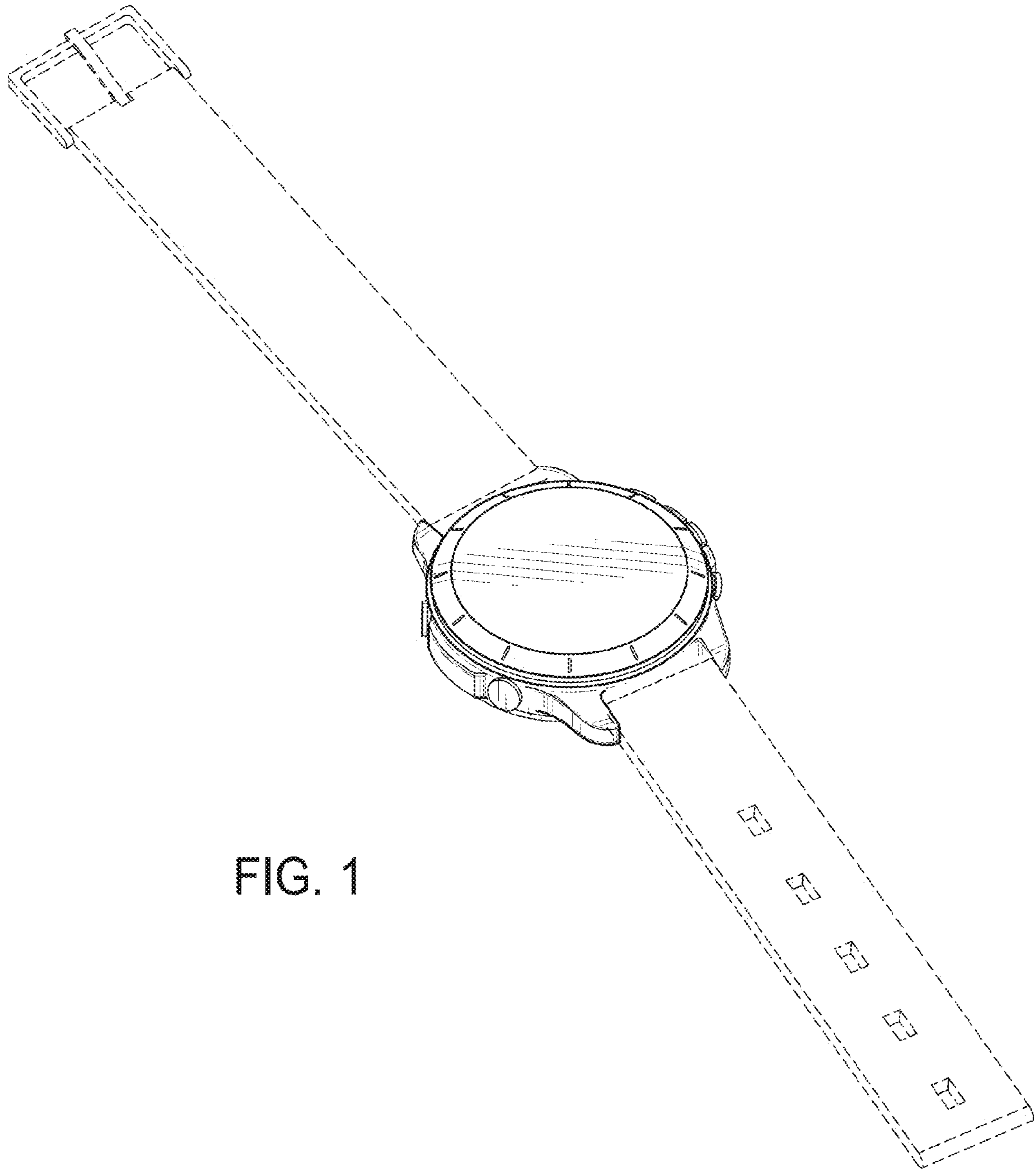


FIG. 1

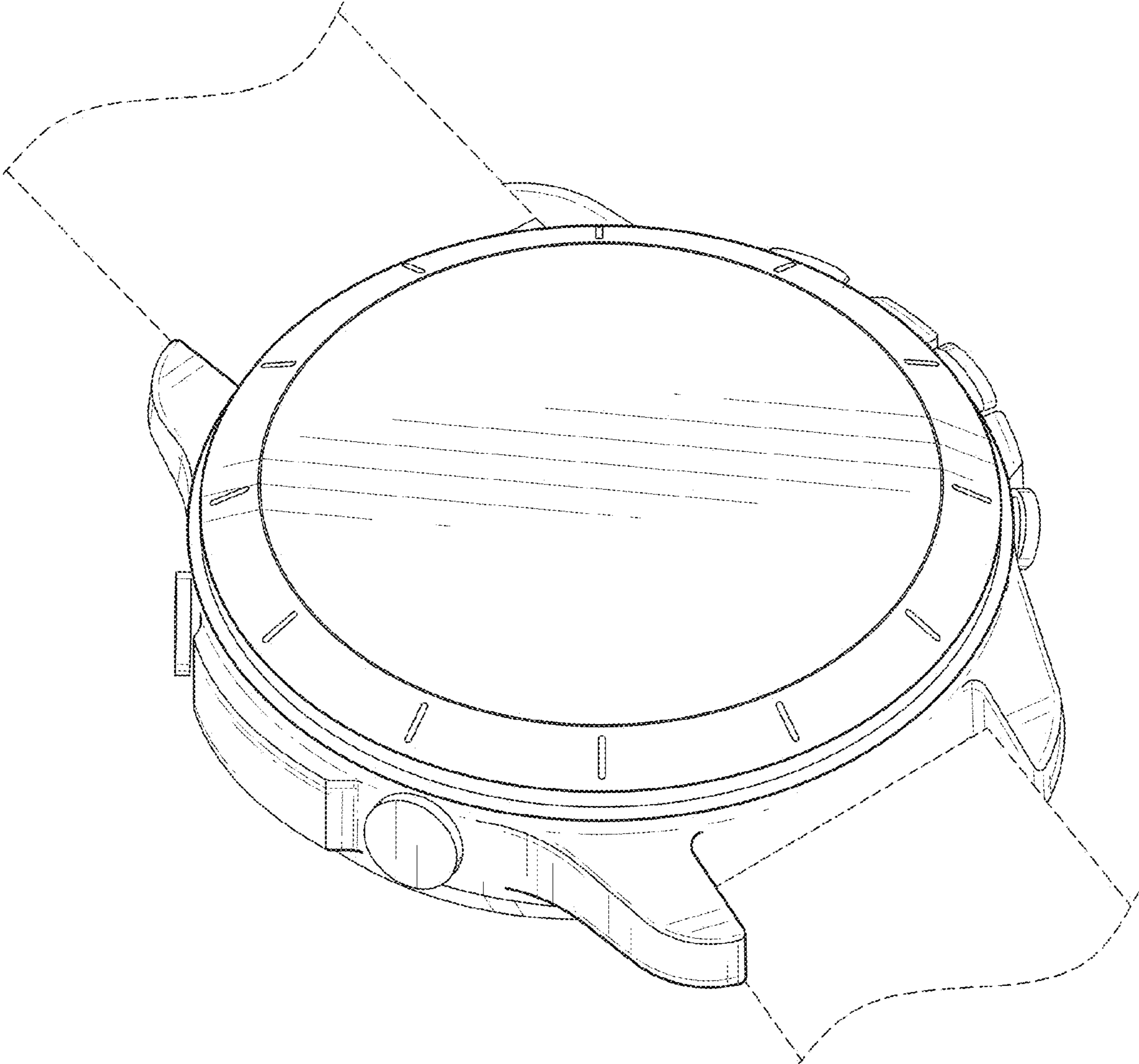


FIG. 2

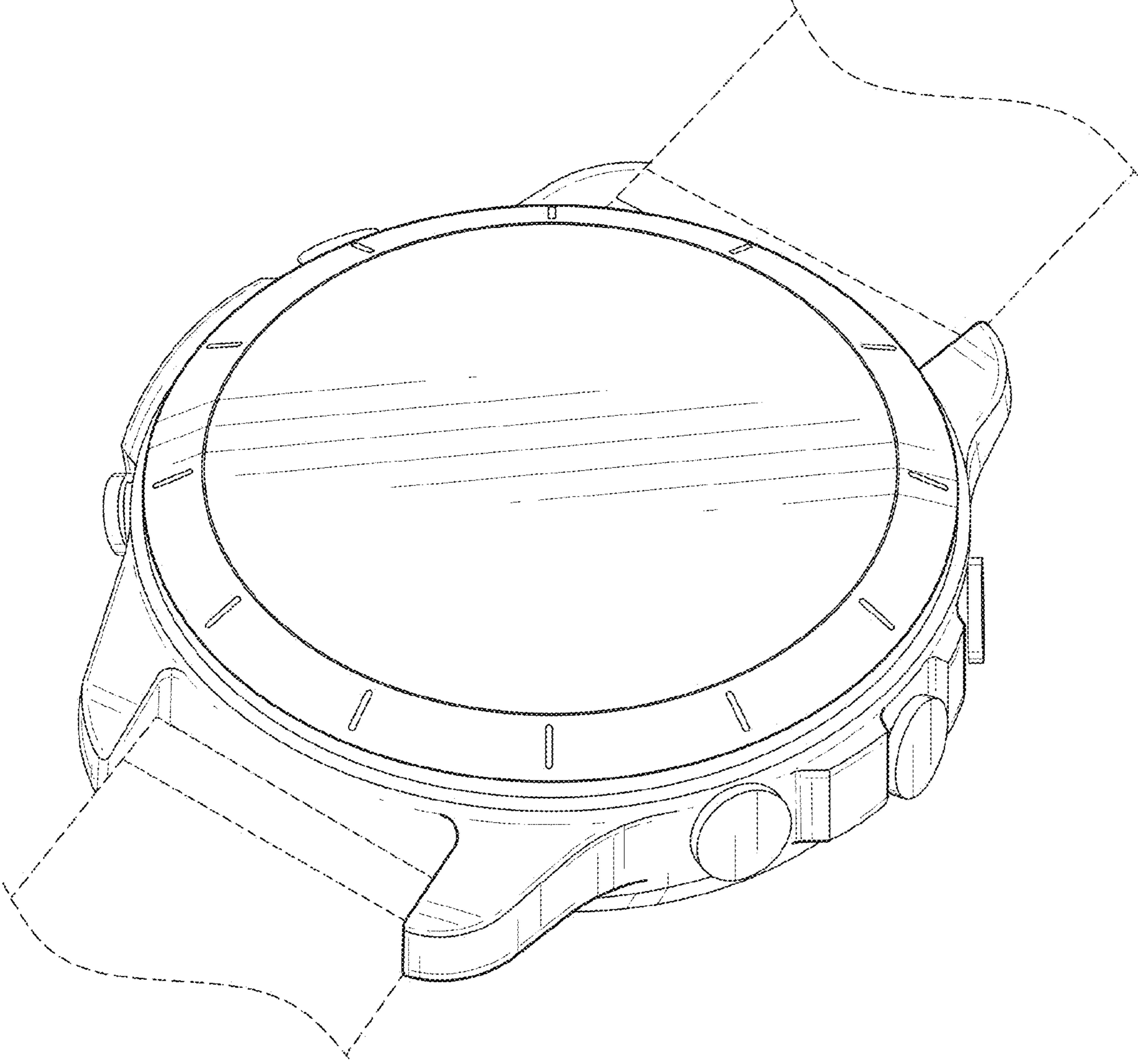


FIG. 3

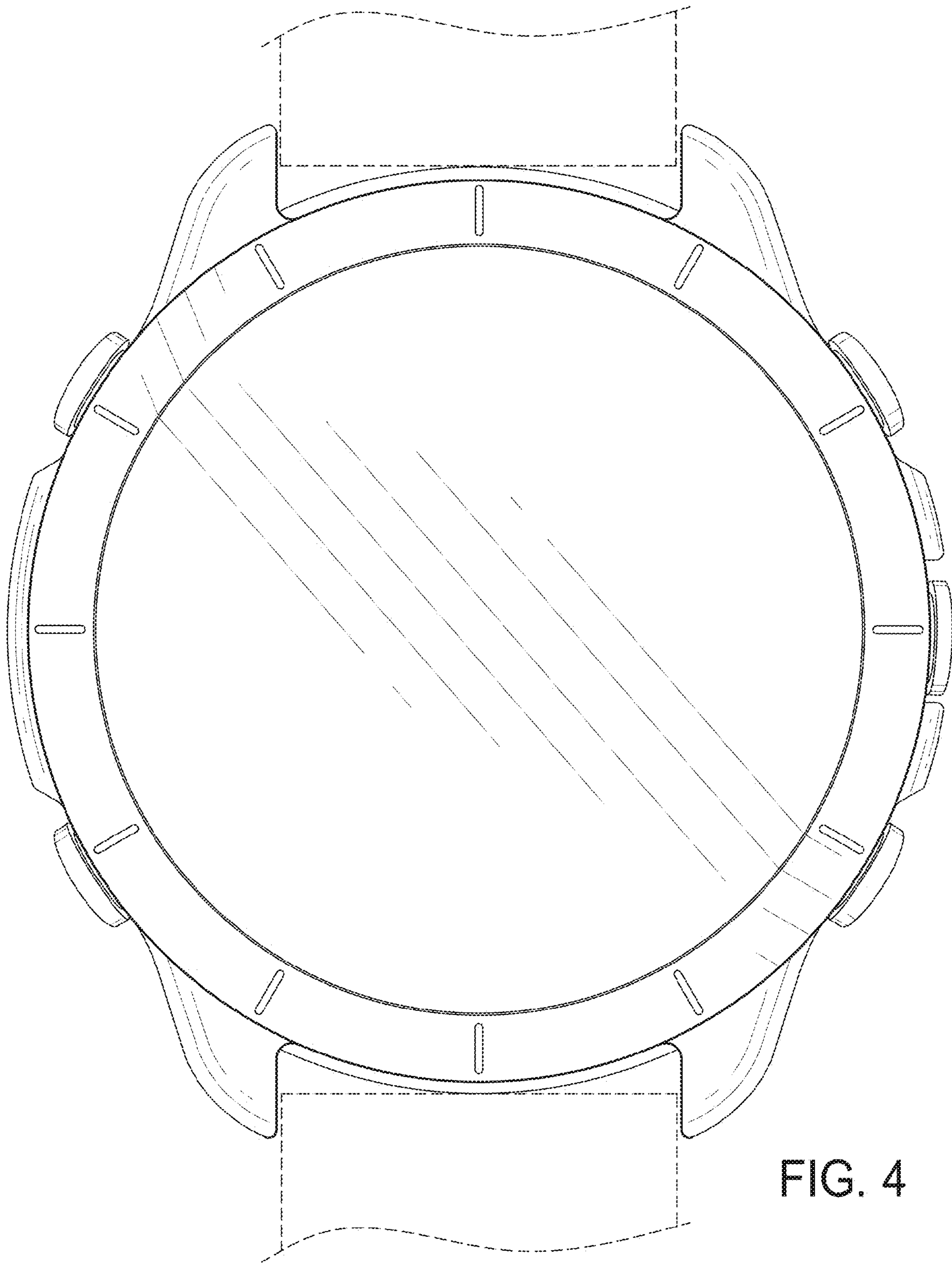


FIG. 4

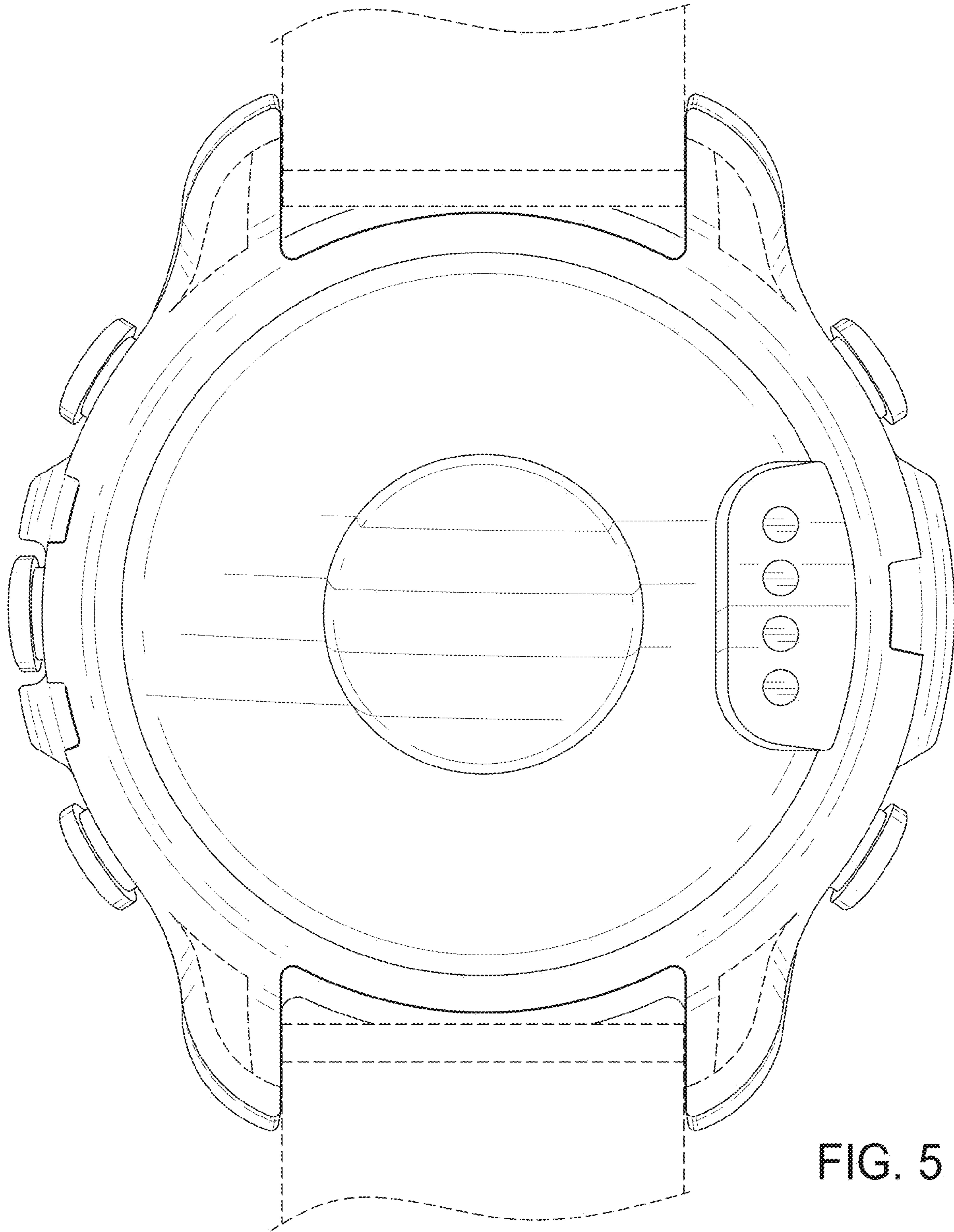


FIG. 5

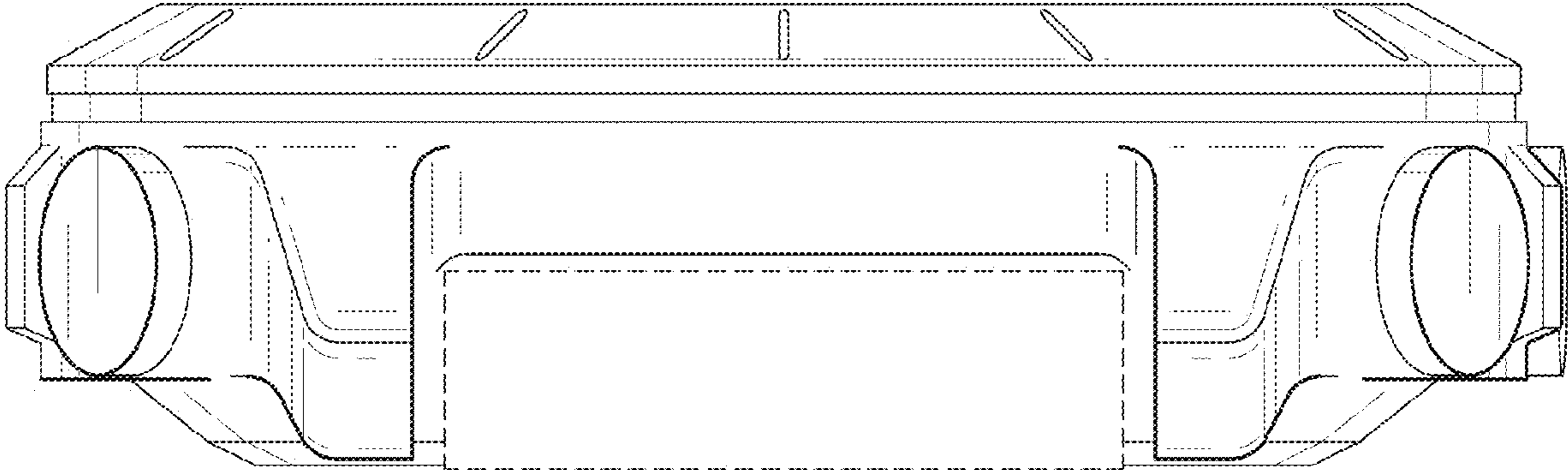


FIG. 6

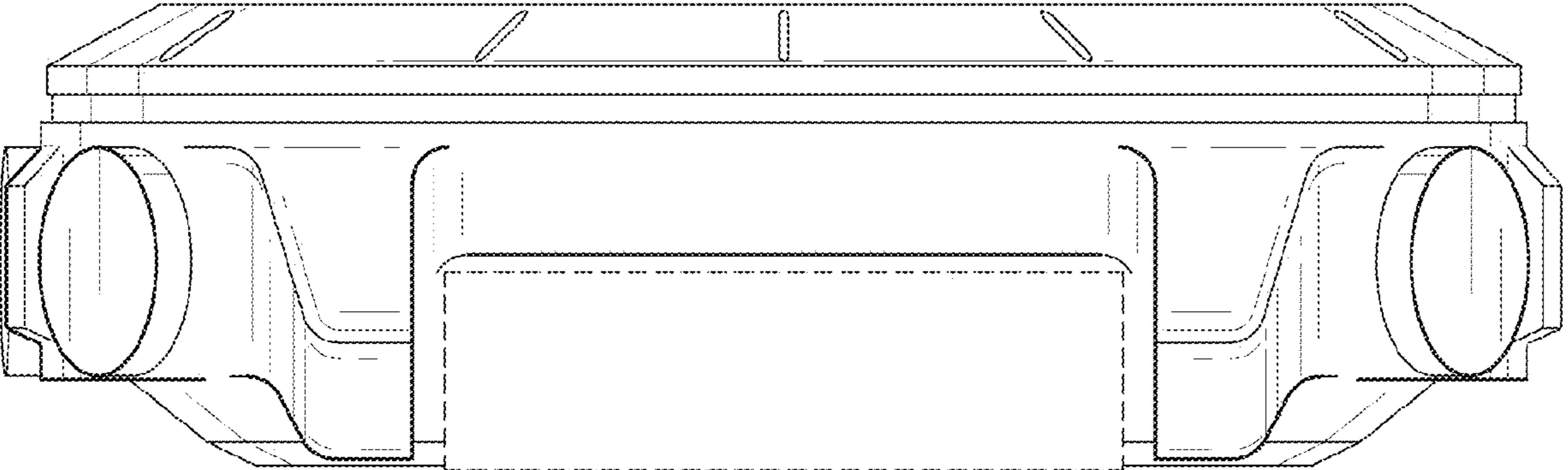


FIG. 7

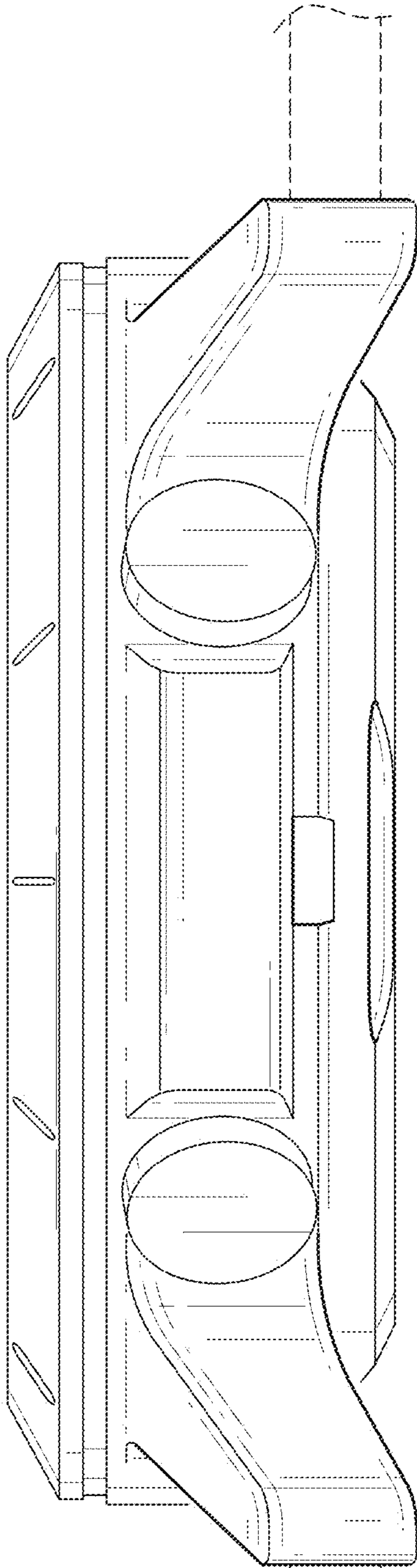


FIG. 8

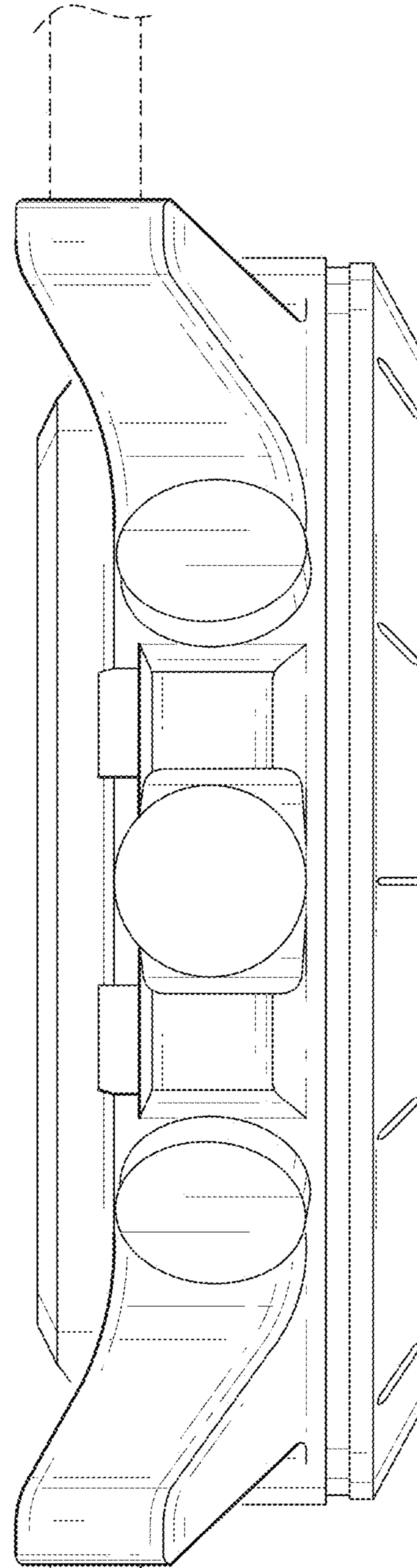


FIG. 9