



US00D953888S

(12) **United States Design Patent**
Holien et al.

(10) **Patent No.:** **US D953,888 S**
(45) **Date of Patent:** **** Jun. 7, 2022**

(54) **CUPCAKE SHIPPING CONTAINER**
(71) Applicant: **Sprinkles Cupcakes, LLC**, Austin, TX (US)
(72) Inventors: **Marcus L. Holien**, Greeley, CO (US);
Joseph D. Swanson, Denver, CO (US);
Thomas M. Luna, Austin, TX (US);
Dan Mesches, Austin, TX (US)

(73) Assignee: **SPRINKLES CUPCAKES, LLC.**, Austin, TX (US)

(**) Term: **15 Years**

(21) Appl. No.: **29/747,744**

(22) Filed: **Aug. 25, 2020**

(51) **LOC (13) Cl.** **09-03**

(52) **U.S. Cl.**
USPC **D9/756; D9/761**

(58) **Field of Classification Search**
USPC D9/737, 756, 761, 414, 423-425,
D9/430-432, 456, 499; D7/553.1-553.8,
D7/554.1, 554.3, 554.4, 555, 557, 601,
D7/603; D3/304, 313
CPC . B65D 1/36; B65D 85/36; B65D 1/24; B65D
2501/24273; B65D 2501/2435; B65D
2543/00361; B65B 25/005; F42B 39/26
See application file for complete search history.

(56) **References Cited**

U.S. PATENT DOCUMENTS

3,151,762 A * 10/1964 Vidal B29C 37/02
220/517
D522,376 S * 6/2006 Hales D7/613
D548,538 S * 8/2007 Liu D7/629
D592,076 S 5/2009 Sipe et al.
D592,077 S * 5/2009 Sipe D9/420
D682,011 S 5/2013 Hauser et al.

D761,127 S 7/2016 Sellari et al.
D778,176 S * 2/2017 Long D9/757
D779,958 S * 2/2017 Canuto D9/643
D792,240 S 7/2017 Sellari et al.
D803,701 S 11/2017 Sellari et al.
D806,576 S * 1/2018 Sellari D9/761
D875,552 S * 2/2020 Tayara D9/757
D891,942 S * 8/2020 He D9/757
D891,943 S * 8/2020 He D9/757
D892,634 S * 8/2020 Corbin D9/761
2005/0029258 A1 2/2005 Juliano et al.

(Continued)

Primary Examiner — W. A. Teddy Falloway

(74) *Attorney, Agent, or Firm* — Wilson Sonsini Goodrich & Rosati

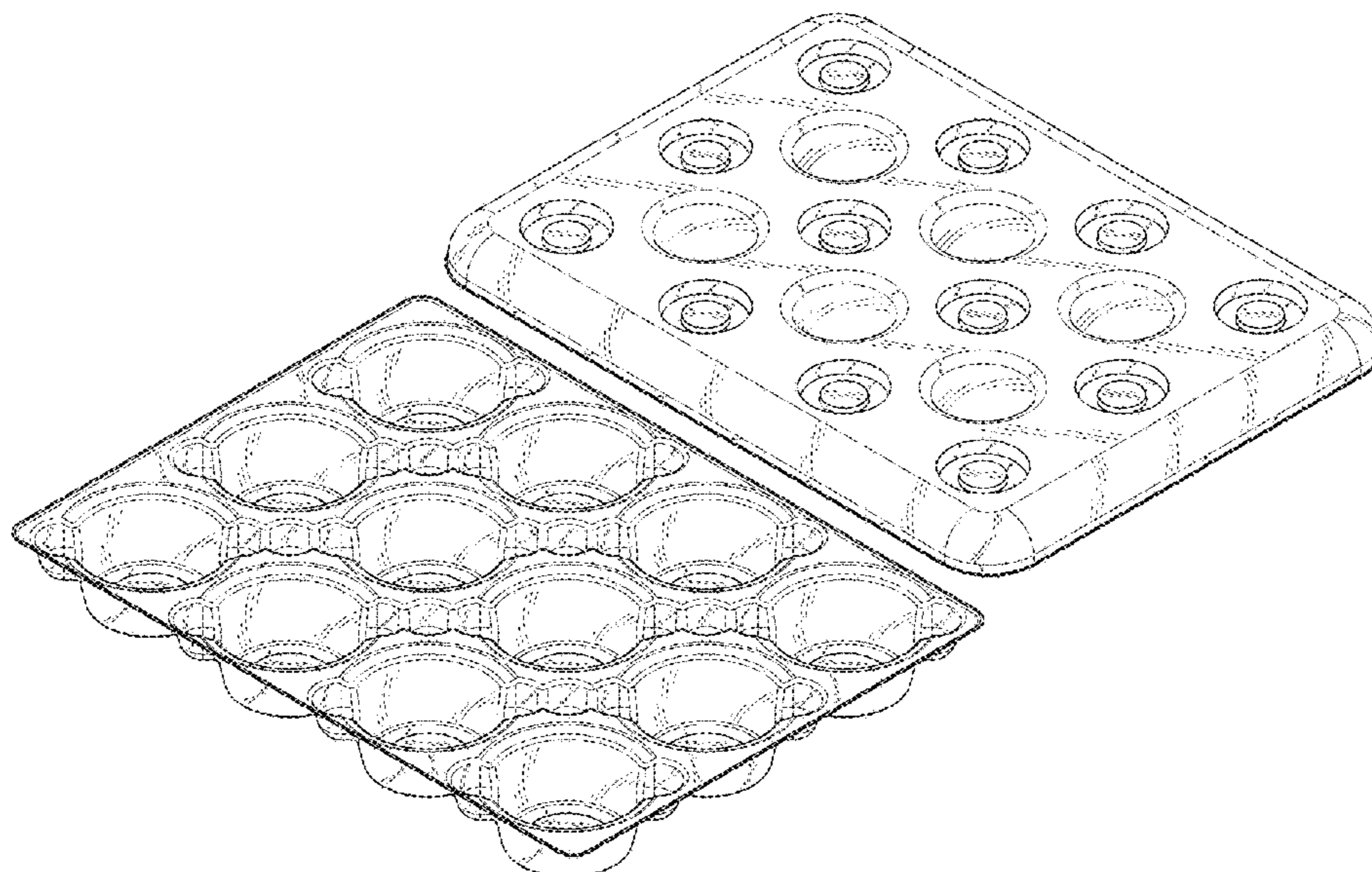
(57) **CLAIM**

The ornamental design for a cupcake shipping container, as shown and described.

DESCRIPTION

FIG. 1 is a top front left perspective view of a cupcake shipping container, showing our new design, shown in a closed condition;
FIG. 2 is a front elevational view thereof;
FIG. 3 is a back elevational view thereof;
FIG. 4 is a left side elevational view thereof;
FIG. 5 is a right side elevational view thereof;
FIG. 6 is a top plan view thereof;
FIG. 7 is a bottom plan view of thereof;
FIG. 8 is a top front left perspective view of the cupcake shipping container, showing our new design, shown in an open condition;
FIG. 9 is a front elevational view thereof;
FIG. 10 is a back elevational view thereof;
FIG. 11 is a left side elevational view thereof;
FIG. 12 is a right side elevational view thereof;
FIG. 13 is a top plan view thereof; and,
FIG. 14 is a bottom plan view of thereof.

1 Claim, 14 Drawing Sheets



(56)

References Cited

U.S. PATENT DOCUMENTS

2010/0059580 A1* 3/2010 Voigt B65D 5/68
229/120.02
2017/0067727 A1* 3/2017 Hofer F42B 39/26
2019/0055081 A1 2/2019 Guirguis et al.
2019/0055082 A1* 2/2019 Guirguis B65D 85/36
2019/0241354 A1* 8/2019 Corbin B65D 43/22
2019/0308788 A1* 10/2019 Matusz B65D 77/003

* cited by examiner

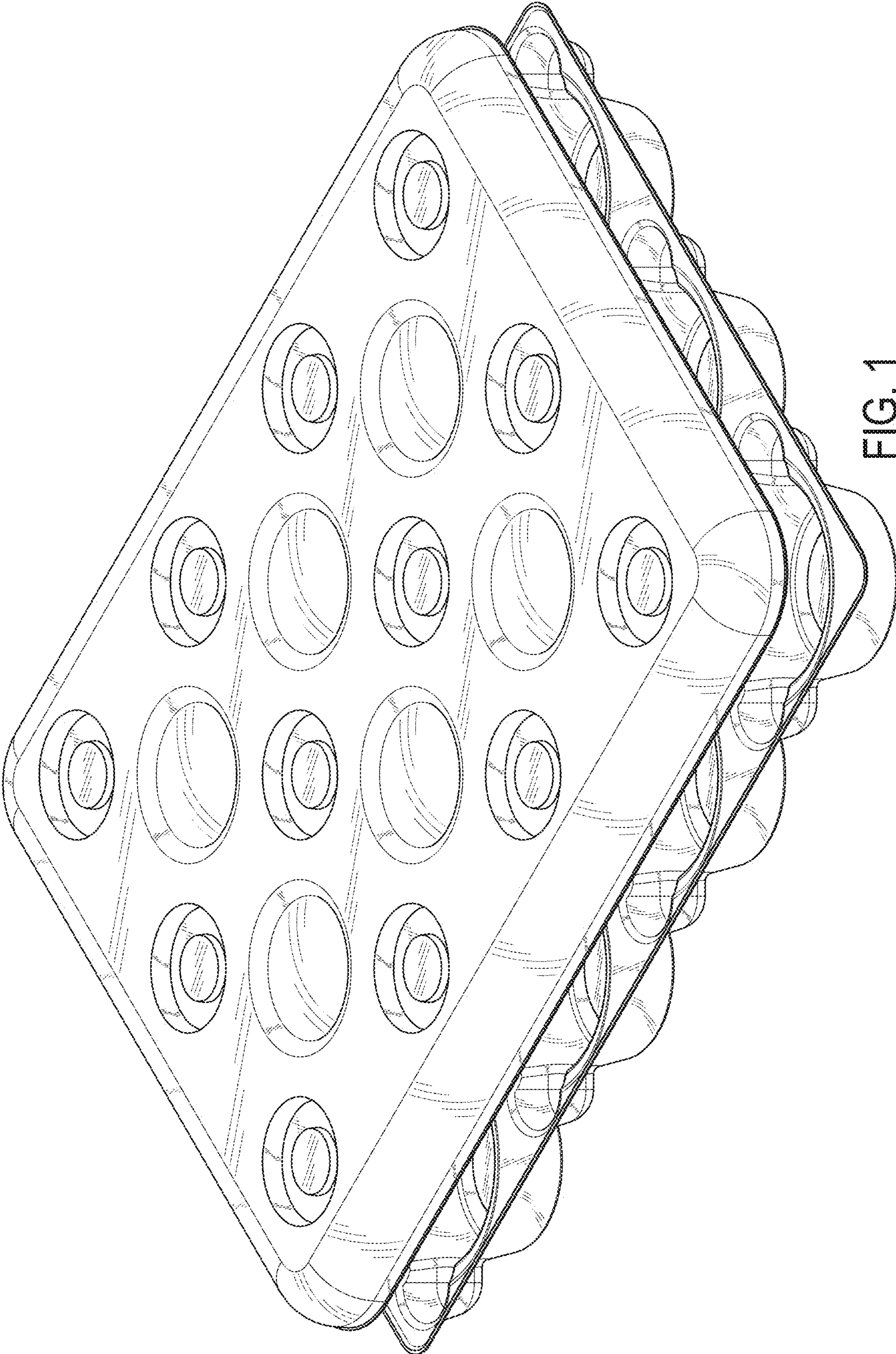


FIG. 1

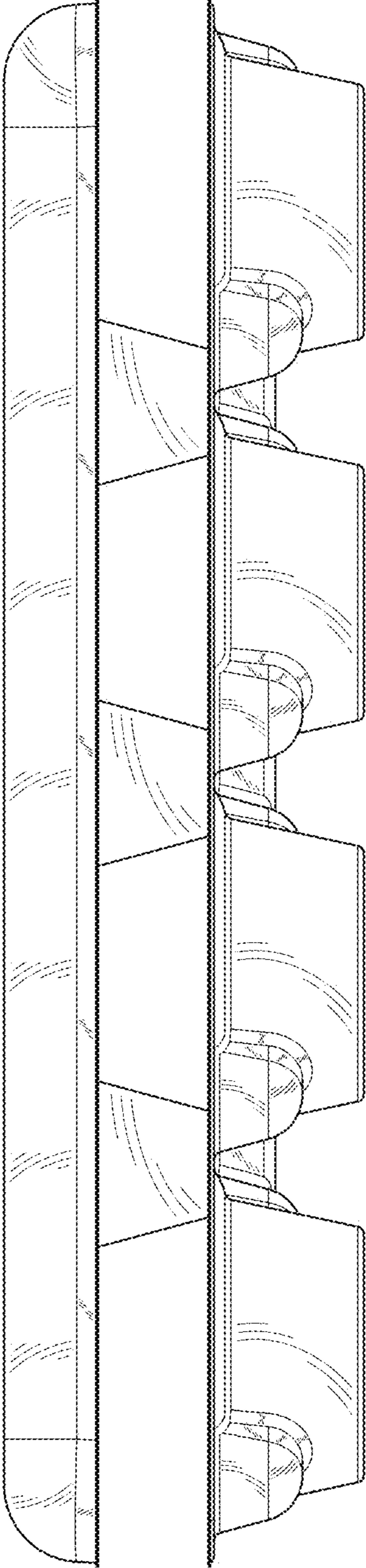


FIG. 2

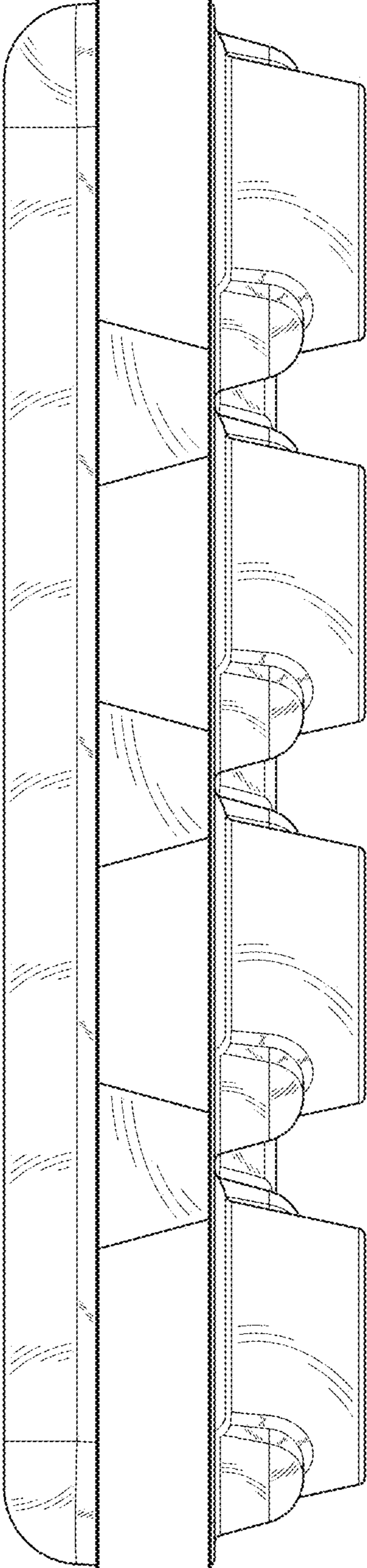


FIG. 3

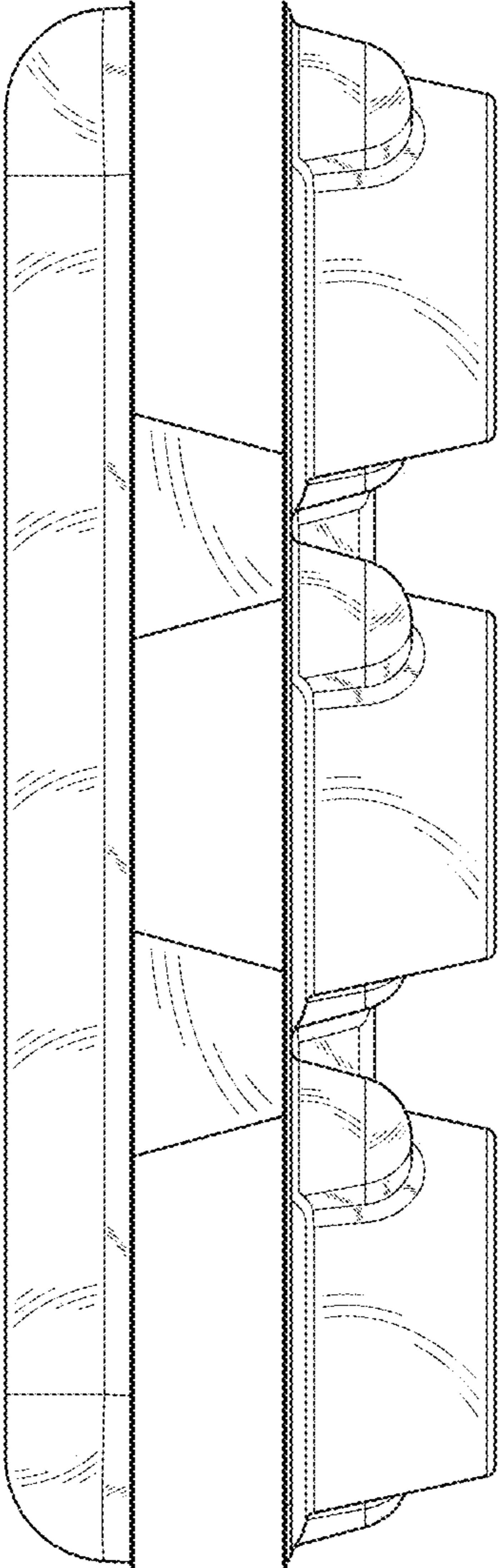


FIG. 4

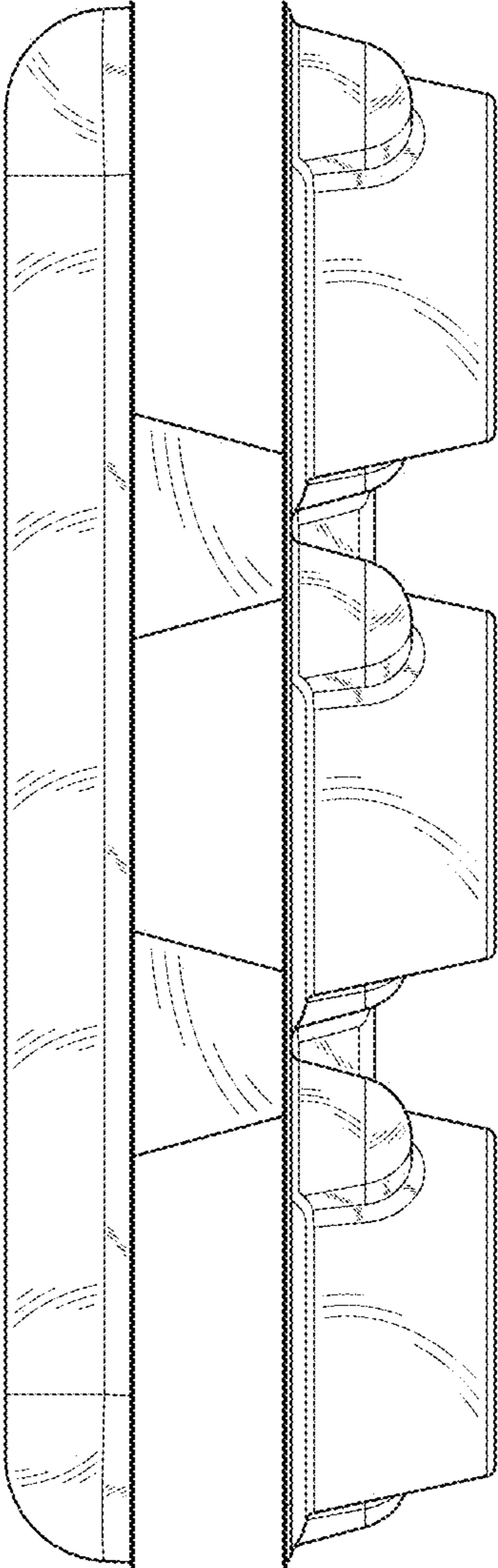


FIG. 5

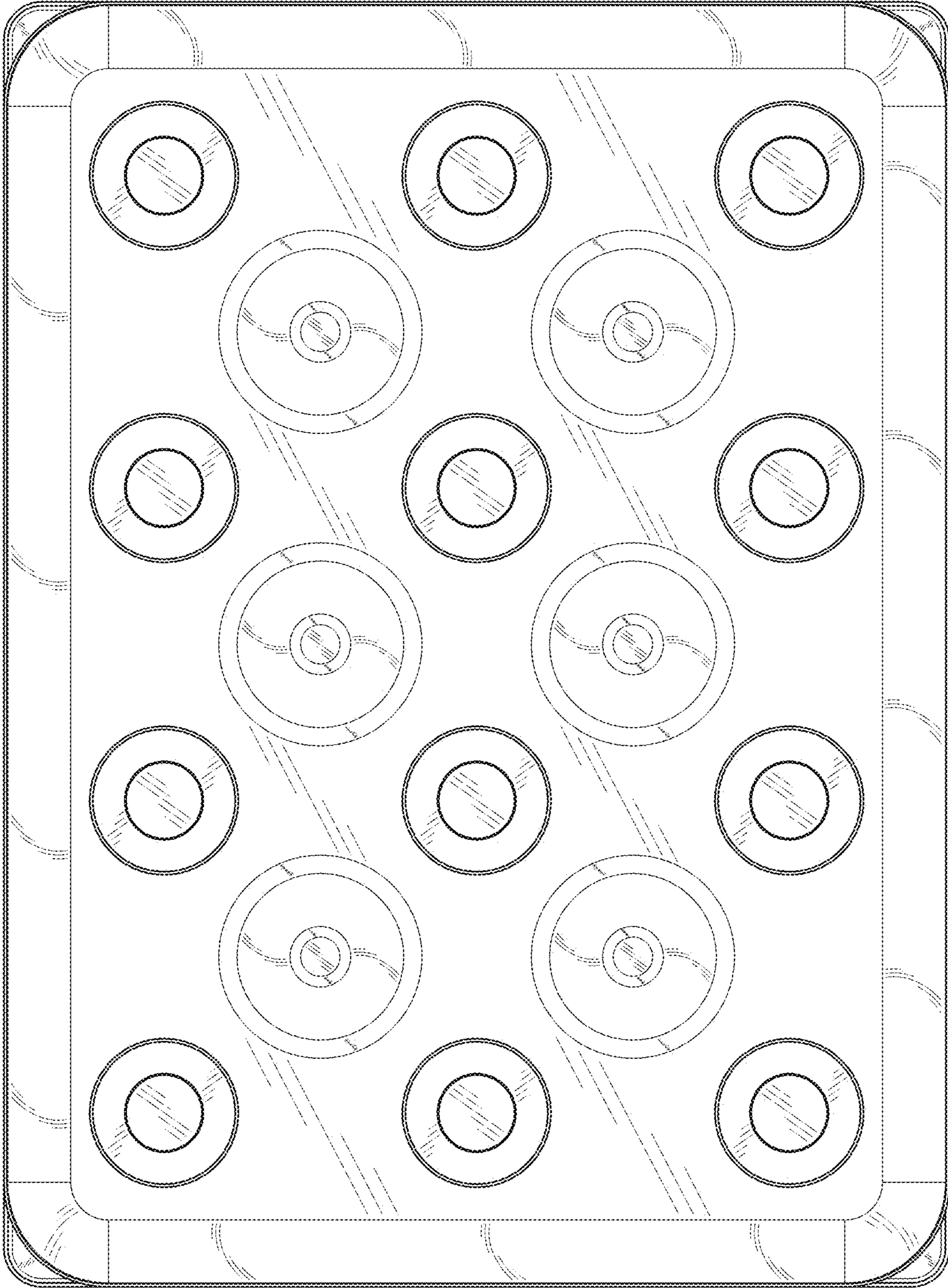


FIG. 6

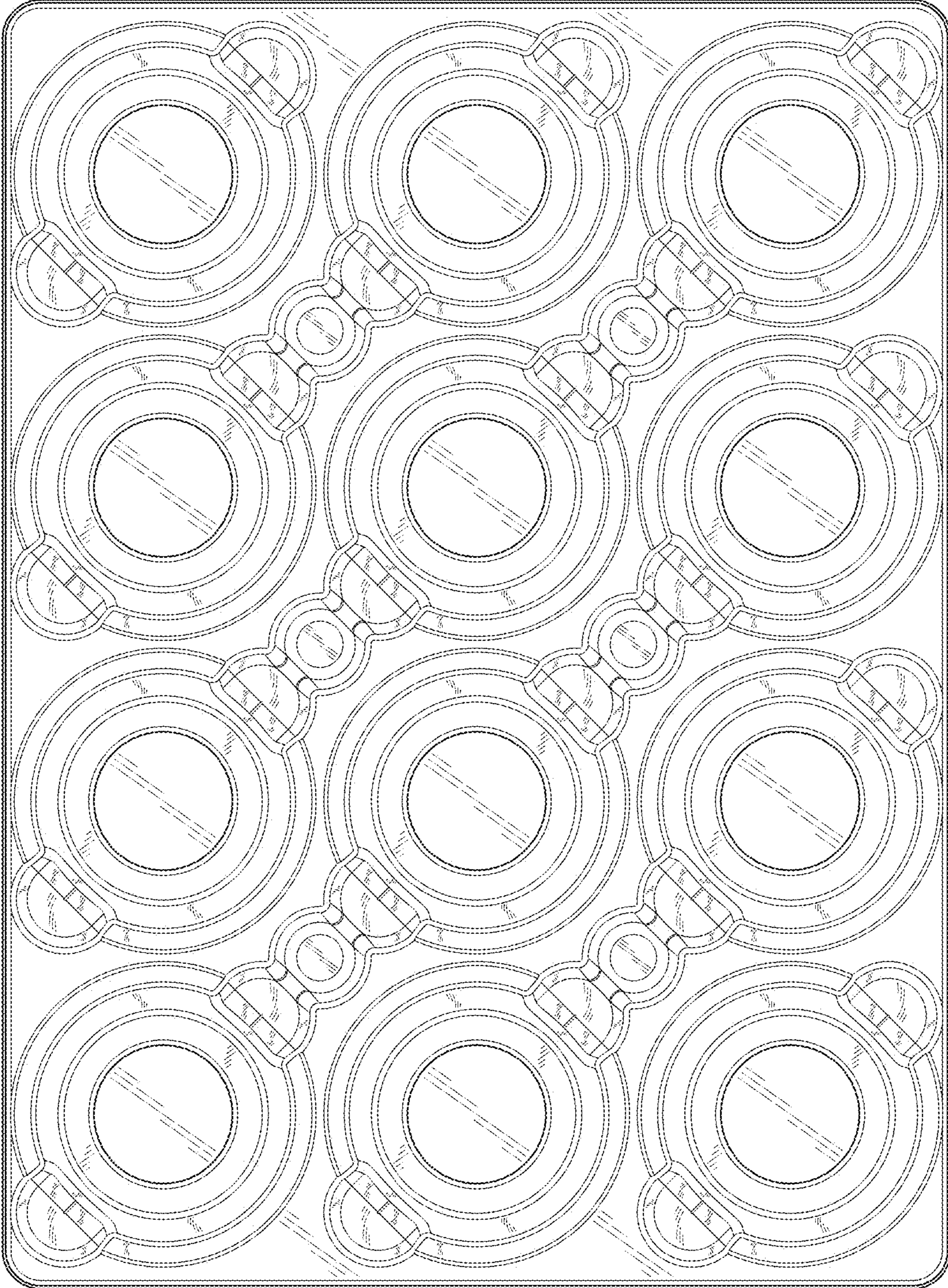


FIG. 7

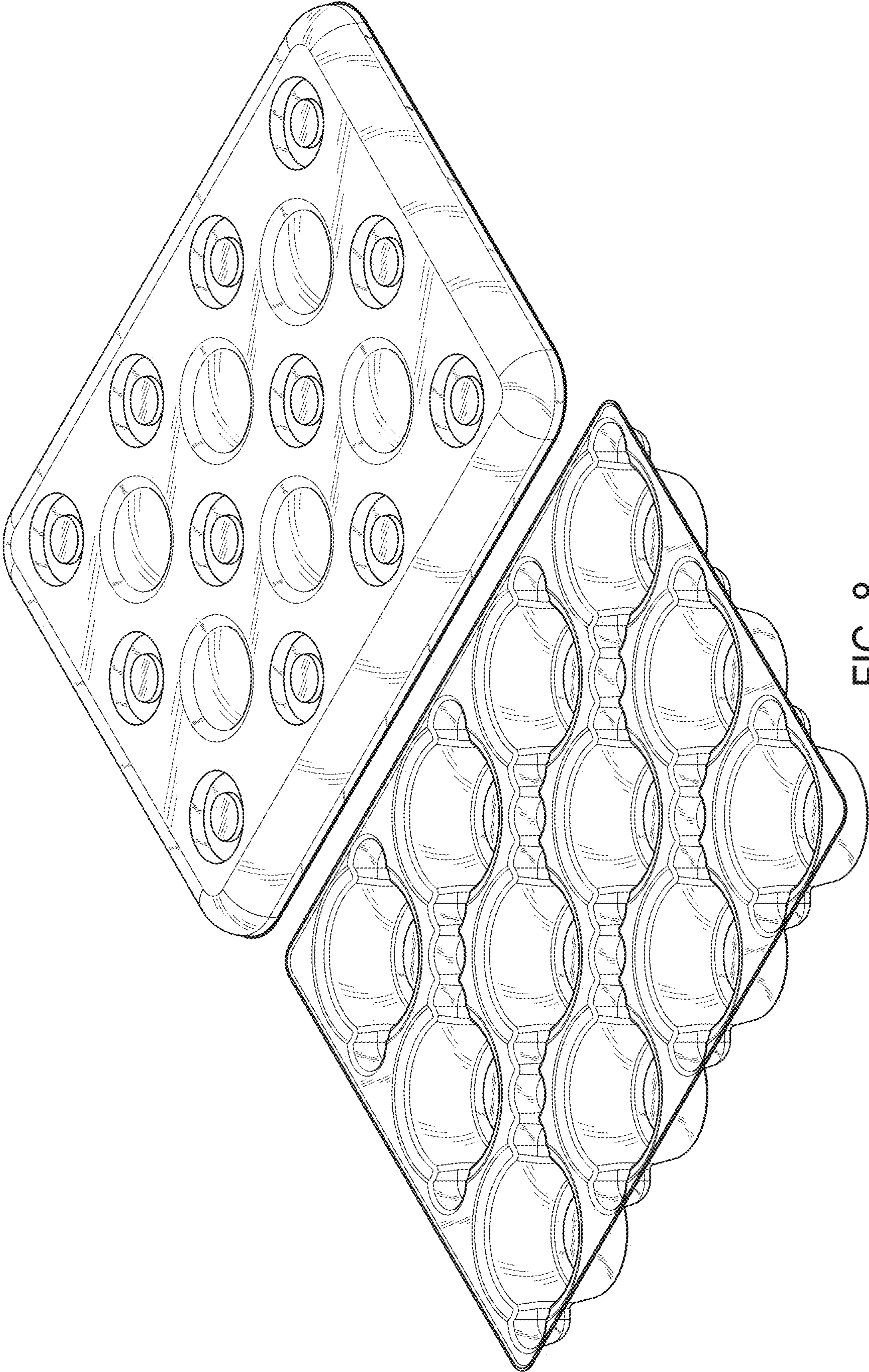


FIG. 8

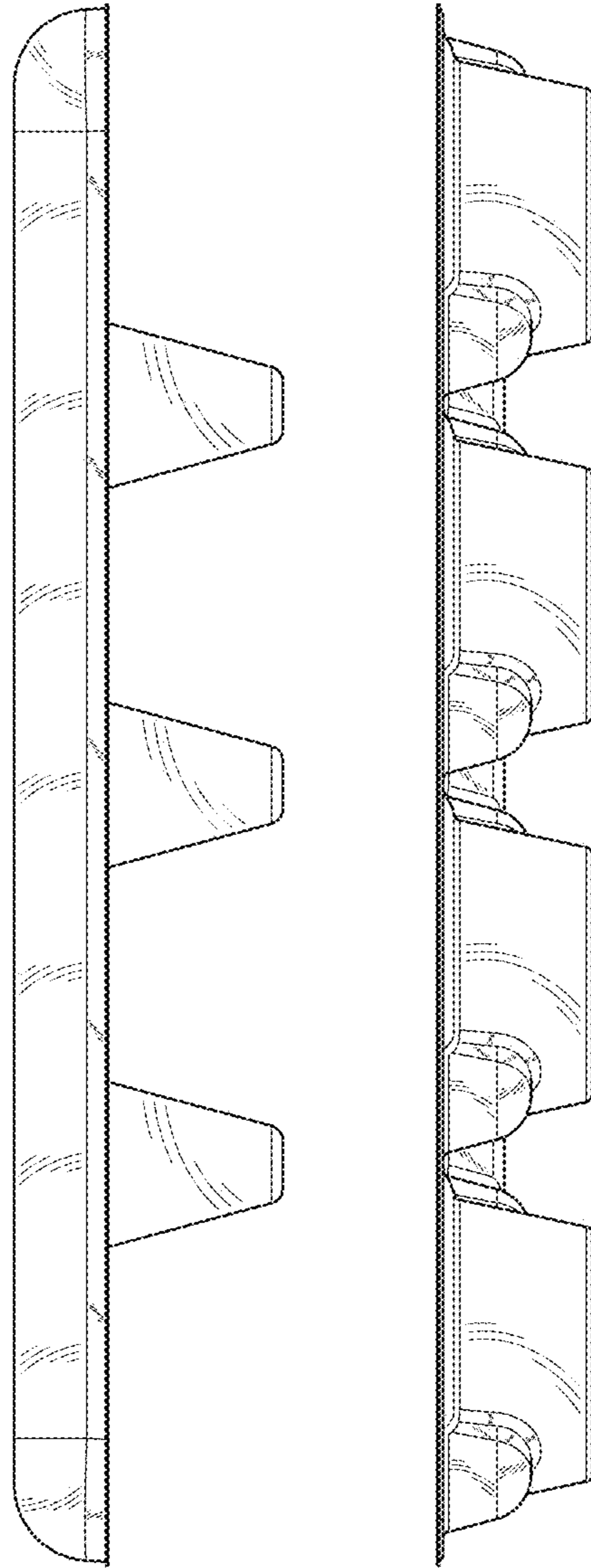


FIG. 9

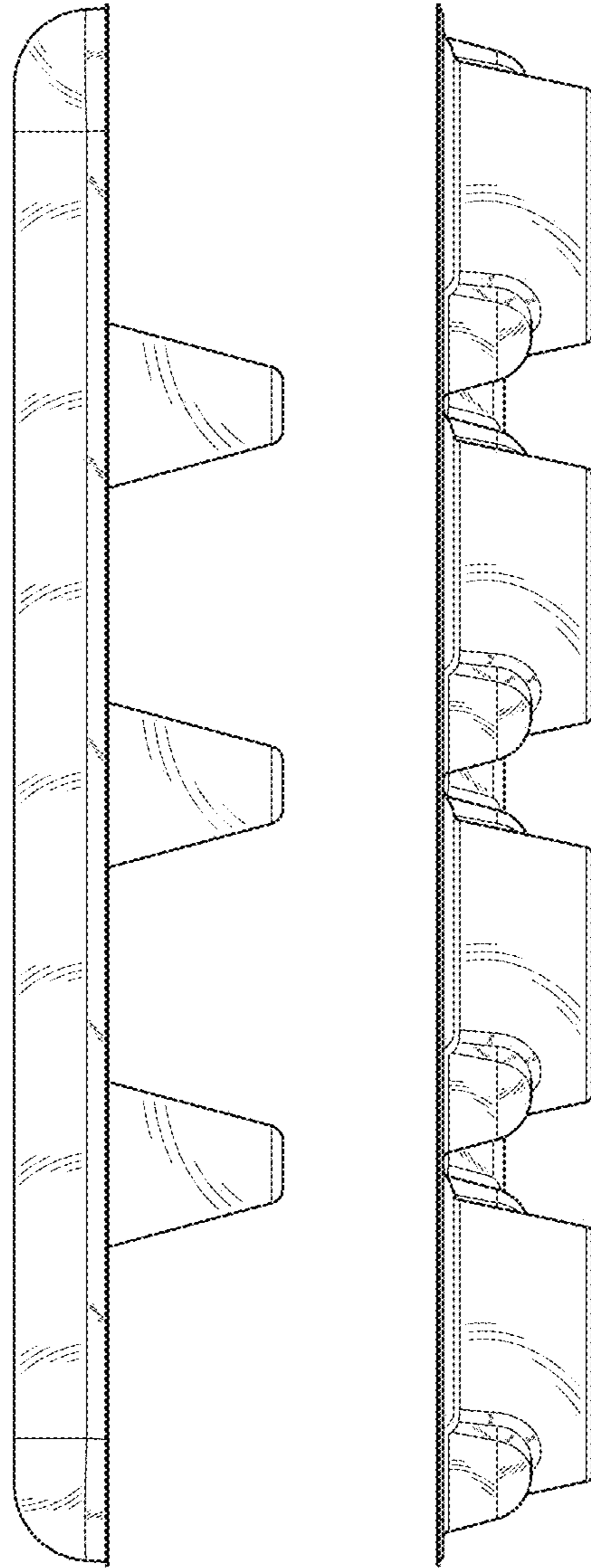


FIG. 10

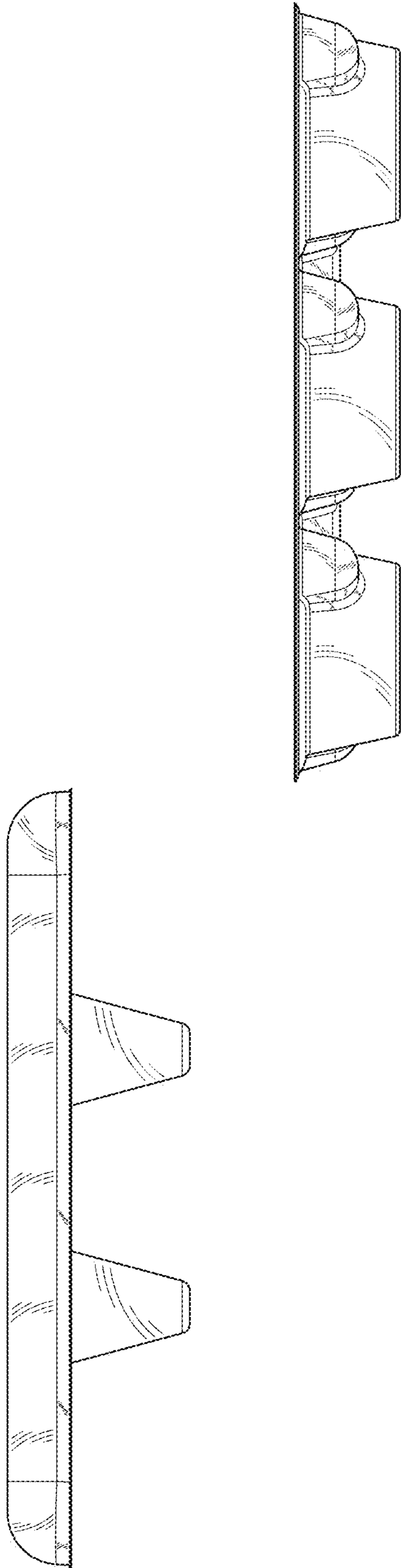


FIG. 11

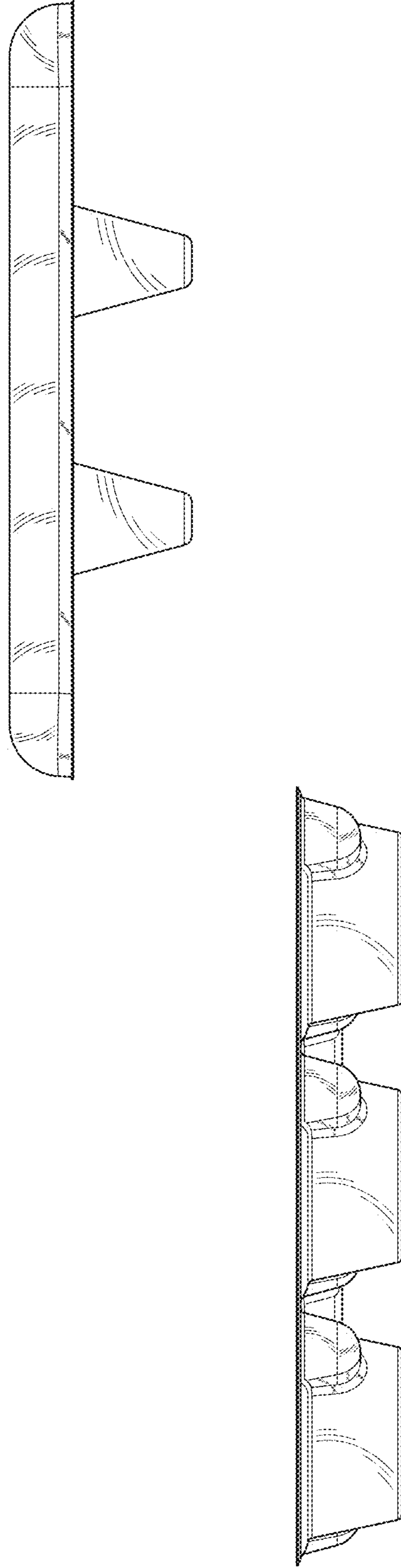


FIG. 12

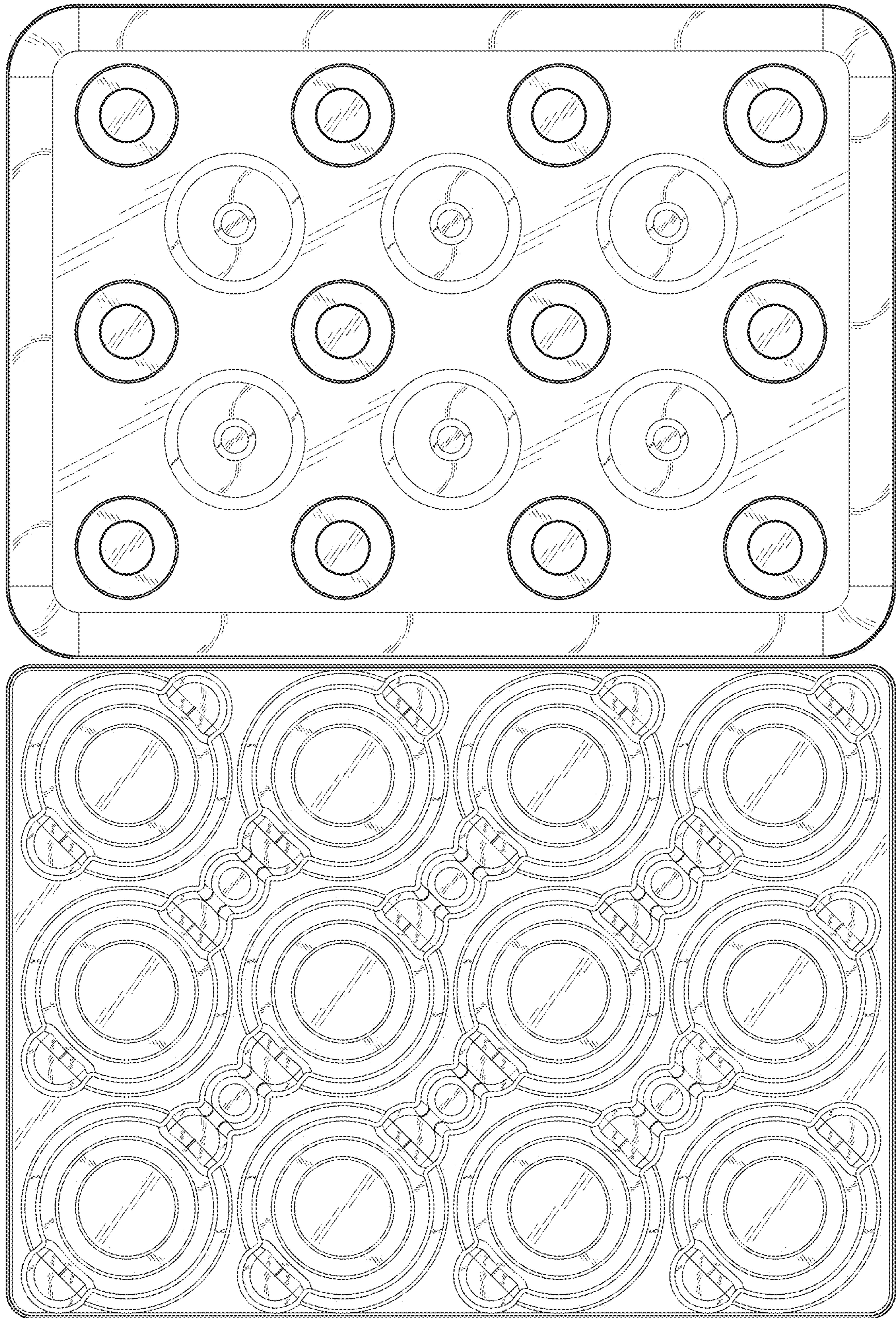


FIG. 13

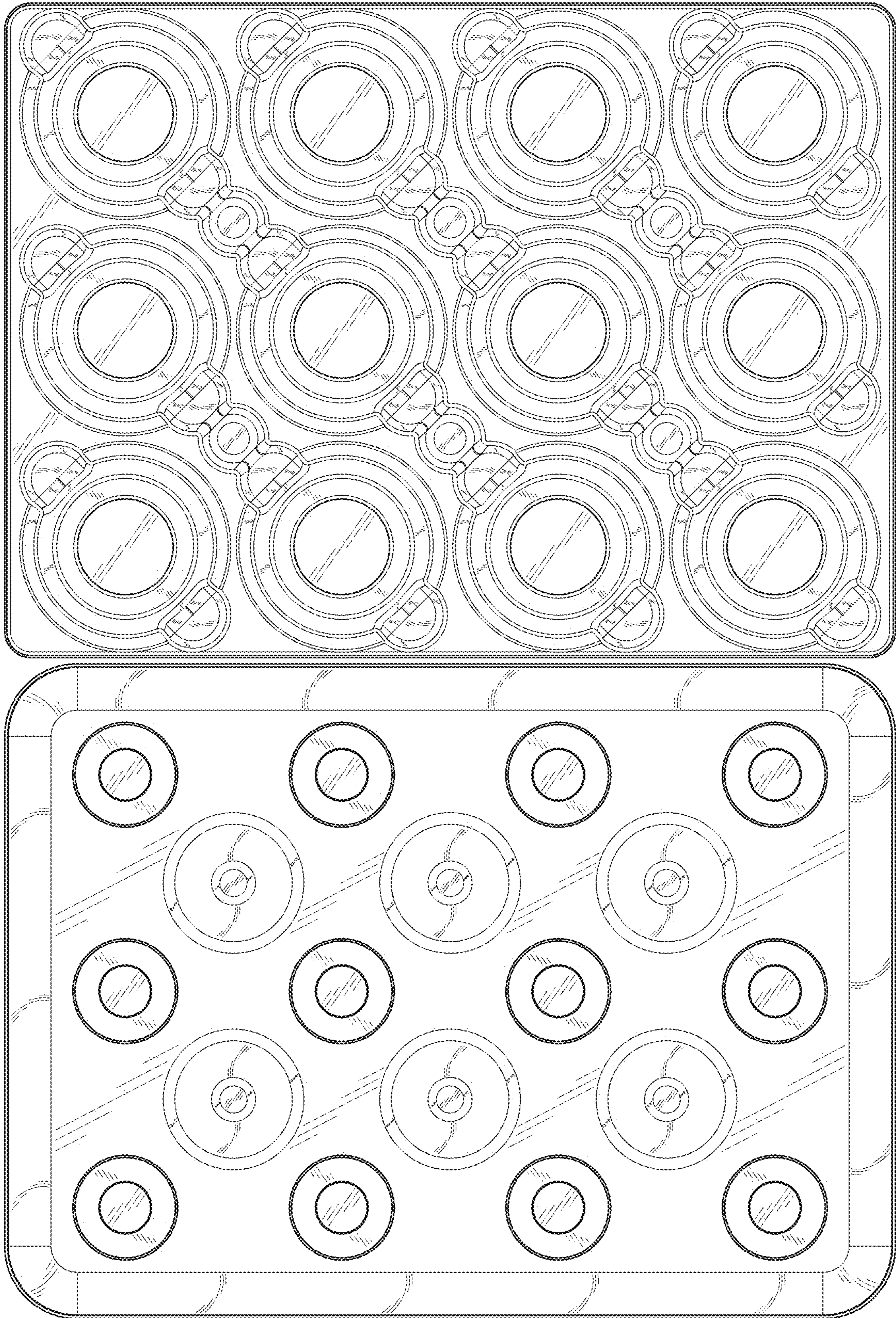


FIG. 14