



US00D953887S

(12) **United States Design Patent**
Gahagan et al.

(10) **Patent No.:** **US D953,887 S**

(45) **Date of Patent:** **** Jun. 7, 2022**

- (54) **WIPE DISPENSER WITH COVER**
- (71) Applicant: **Biom Innovations Inc.**, Wilmington, DE (US)
- (72) Inventors: **Will Gahagan**, Wilmington, DE (US);
Hank Schellenger, Nashville, TN (US)
- (73) Assignee: **Biom Innovations Inc.**, Wilmington, DE (US)
- (**) Term: **15 Years**
- (21) Appl. No.: **29/765,661**
- (22) Filed: **Jan. 11, 2021**
- (51) **LOC (13) Cl.** **09-01**
- (52) **U.S. Cl.**
USPC **D9/734; D9/504**
- (58) **Field of Classification Search**
USPC D9/414, 420, 423, 424, 430, 431, 503,
D9/504, 540, 730, 734; D3/201, 304,
D3/315; D6/515, 518, 519, 521, 522,
D6/523; D7/601, 608, 622, 704
CPC B65D 75/5838; B65D 2575/586; B65D
75/5855; B65D 75/5805; B65D 75/12;
B65D 77/2096; B65D 2101/00; B65D
75/5827; B65D 83/0805; B65D 75/20;
B65D 75/26; B65D 75/68; B65D 33/20;
B65D 77/003; B65D 75/326; B65D
77/2032; B65D 2543/00425; B65D
2543/00194
See application file for complete search history.

D685,653 S *	7/2013	Mowers	D9/734
D705,570 S *	5/2014	Odhe	D6/518
D839,096 S *	1/2019	Fux	D9/503
D847,642 S *	5/2019	Dunn	B65D 51/247
				D9/503
D911,856 S *	3/2021	Bannai	D9/734
D932,900 S *	10/2021	Duffy	D9/504
2010/0206896 A1 *	8/2010	Ray	A47K 10/3818
				221/45

* cited by examiner

Primary Examiner — Lauren R Calve

(74) *Attorney, Agent, or Firm* — Fish & Richardson P.C.

(57) **CLAIM**

The ornamental design for a wipe dispenser with cover, as shown and described.

DESCRIPTION

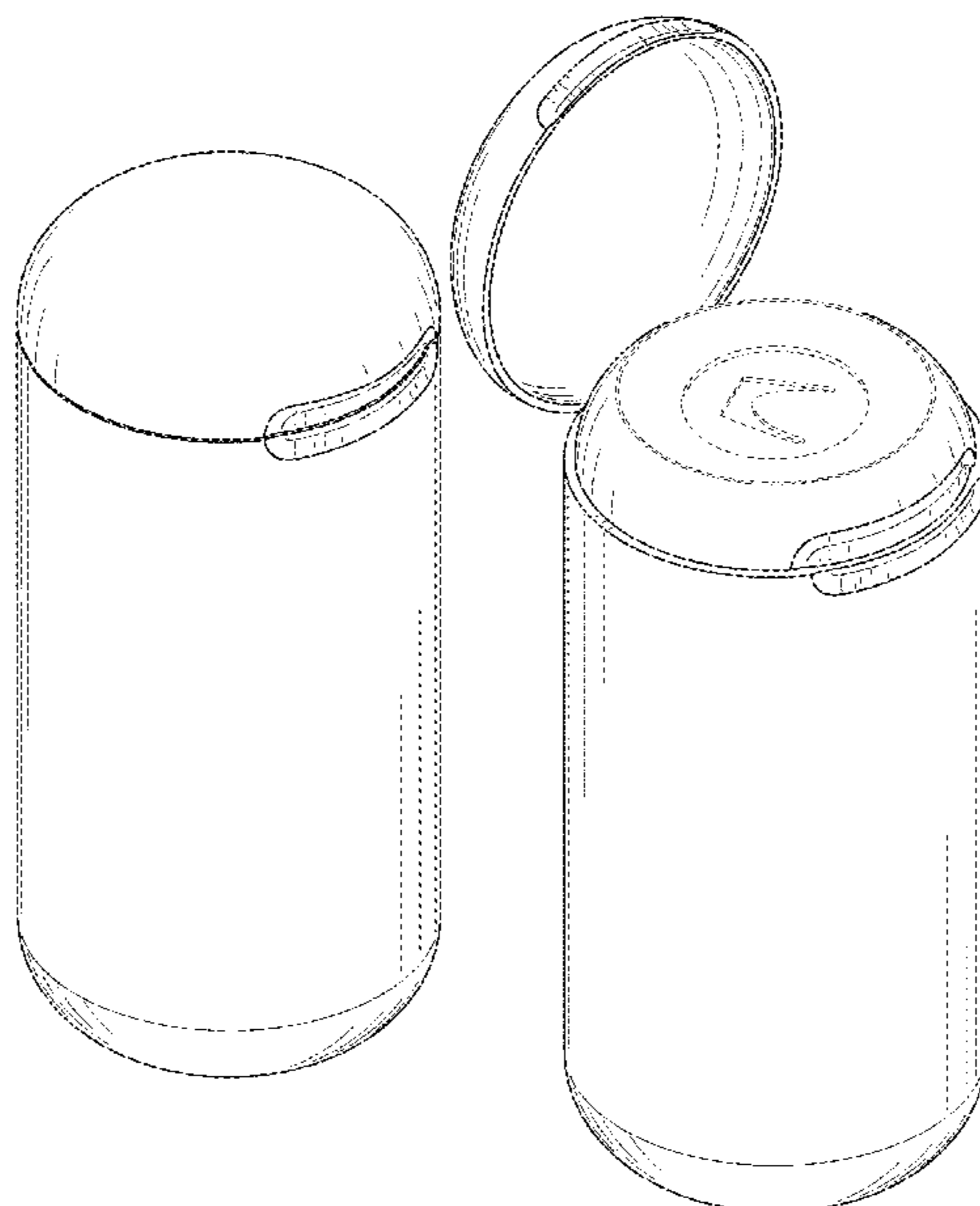
FIG. 1 is a front perspective view of a wipe dispenser with cover in a closed configuration.
 FIG. 2 is a front view of the wipe dispenser with cover in a closed configuration.
 FIG. 3 is a rear view of the wipe dispenser with cover in a closed configuration.
 FIG. 4 is a right side view of the wipe dispenser with cover in a closed configuration.
 FIG. 5 is a left side view of the wipe dispenser with cover in a closed configuration.
 FIG. 6 is a top view of the wipe dispenser with cover in a closed configuration.
 FIG. 7 is a bottom view of the wipe dispenser with cover in a closed configuration; and,
 FIG. 8 is a front perspective view of the wipe dispenser with cover in an open configuration.
 Broken lines showing the hinge mechanism in FIGS. 3-5 and the top surface portions of the wipe dispenser in FIG. 8 form no part of the claimed design.

1 Claim, 5 Drawing Sheets

(56) **References Cited**

U.S. PATENT DOCUMENTS

D450,211 S *	11/2001	Santoni	D6/518
D658,362 S *	5/2012	Nassiri	D3/203.2
D661,588 S *	6/2012	Irani	D9/503



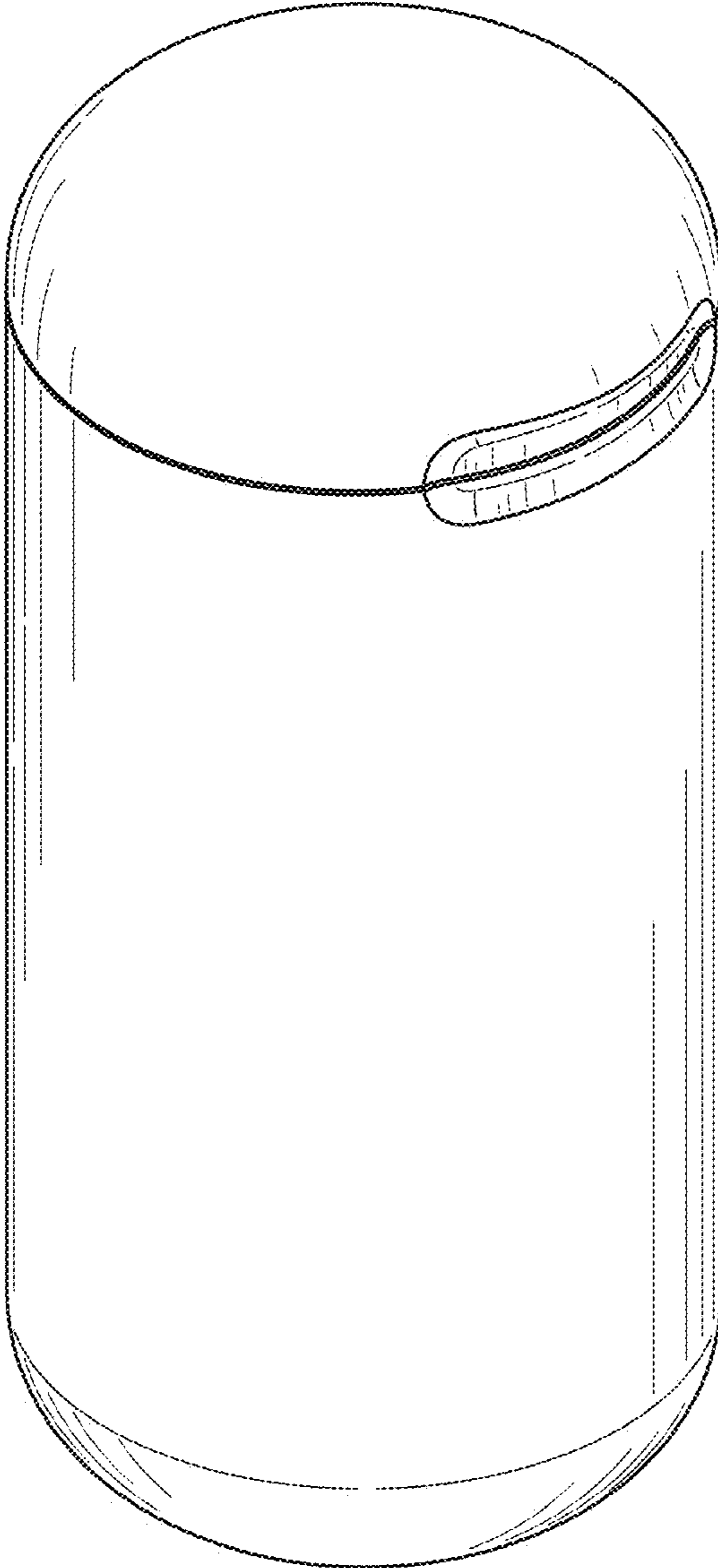


FIG. 1

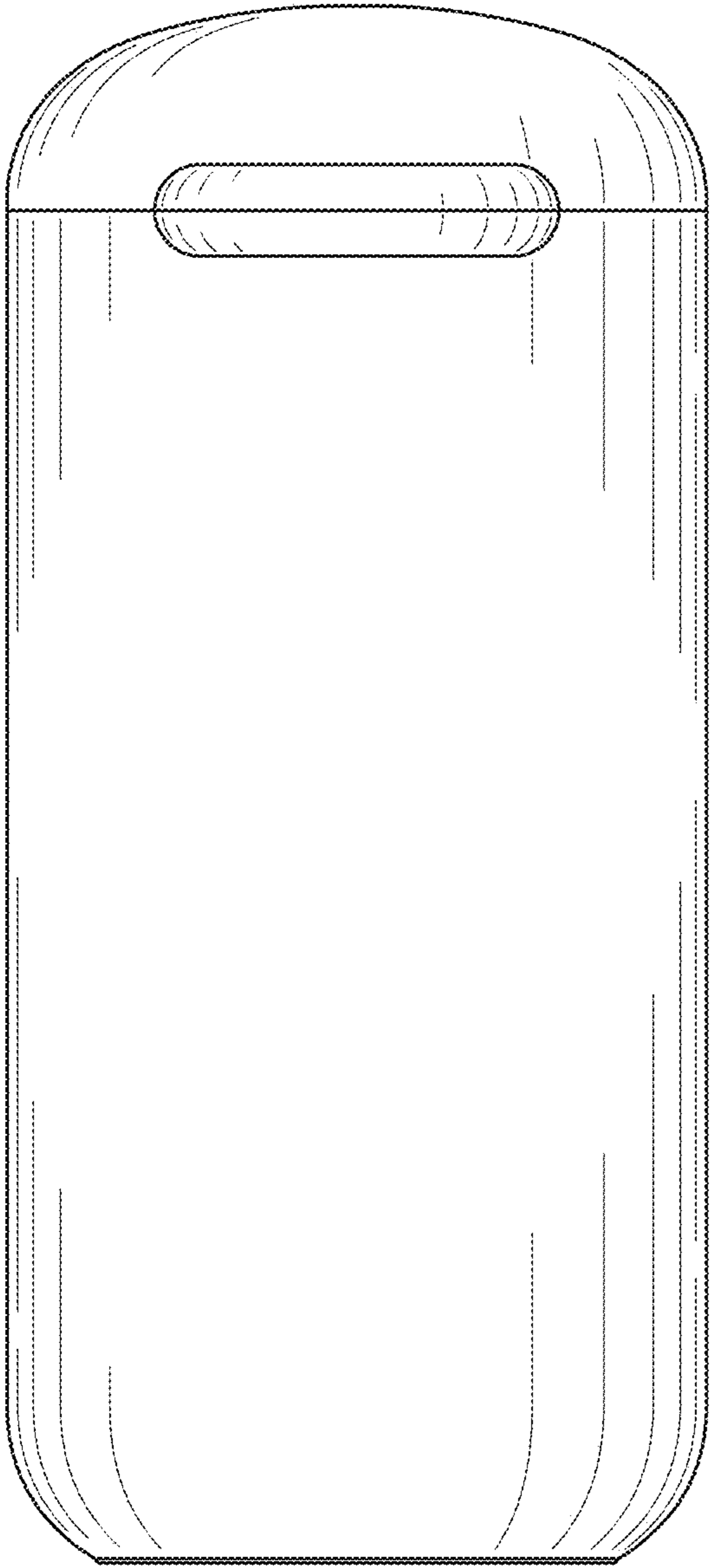


FIG. 2

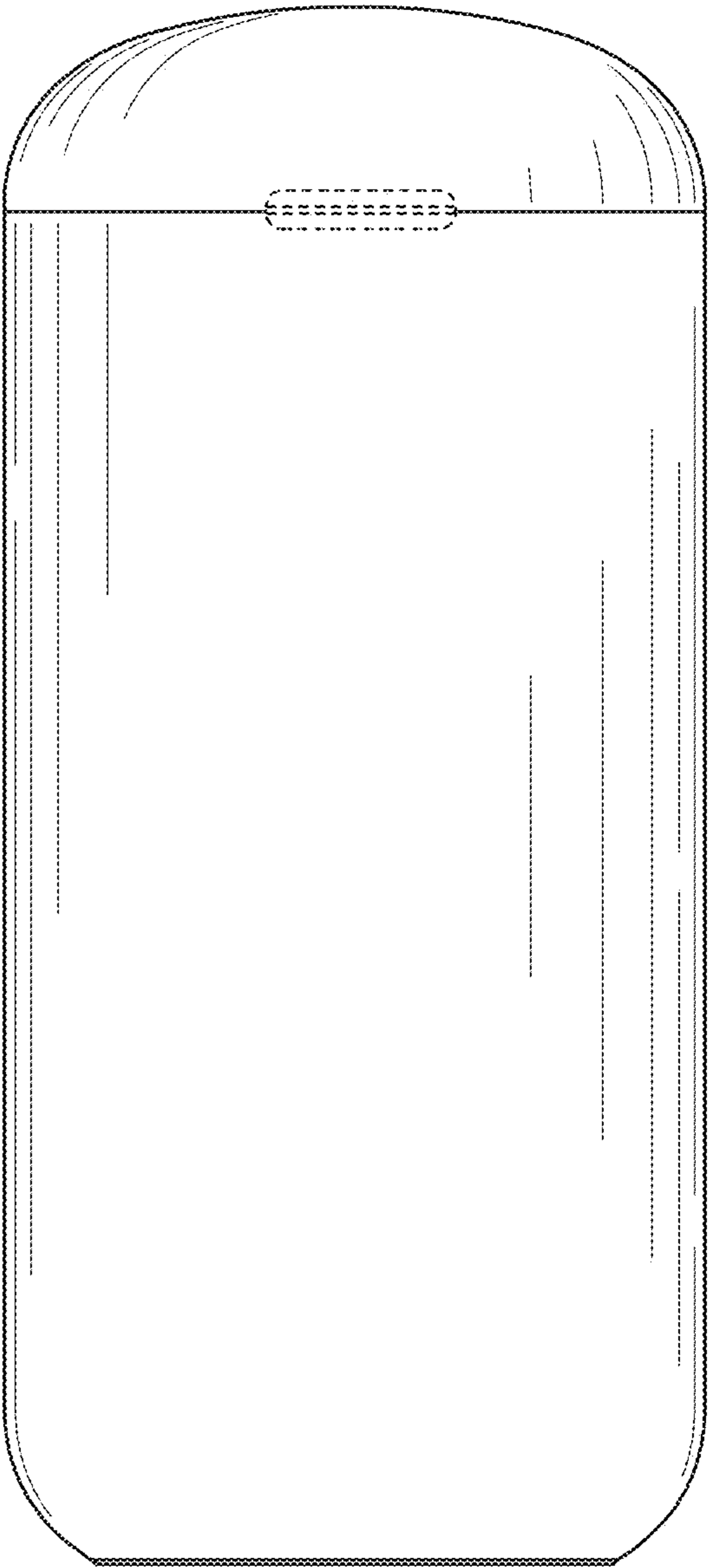


FIG. 3

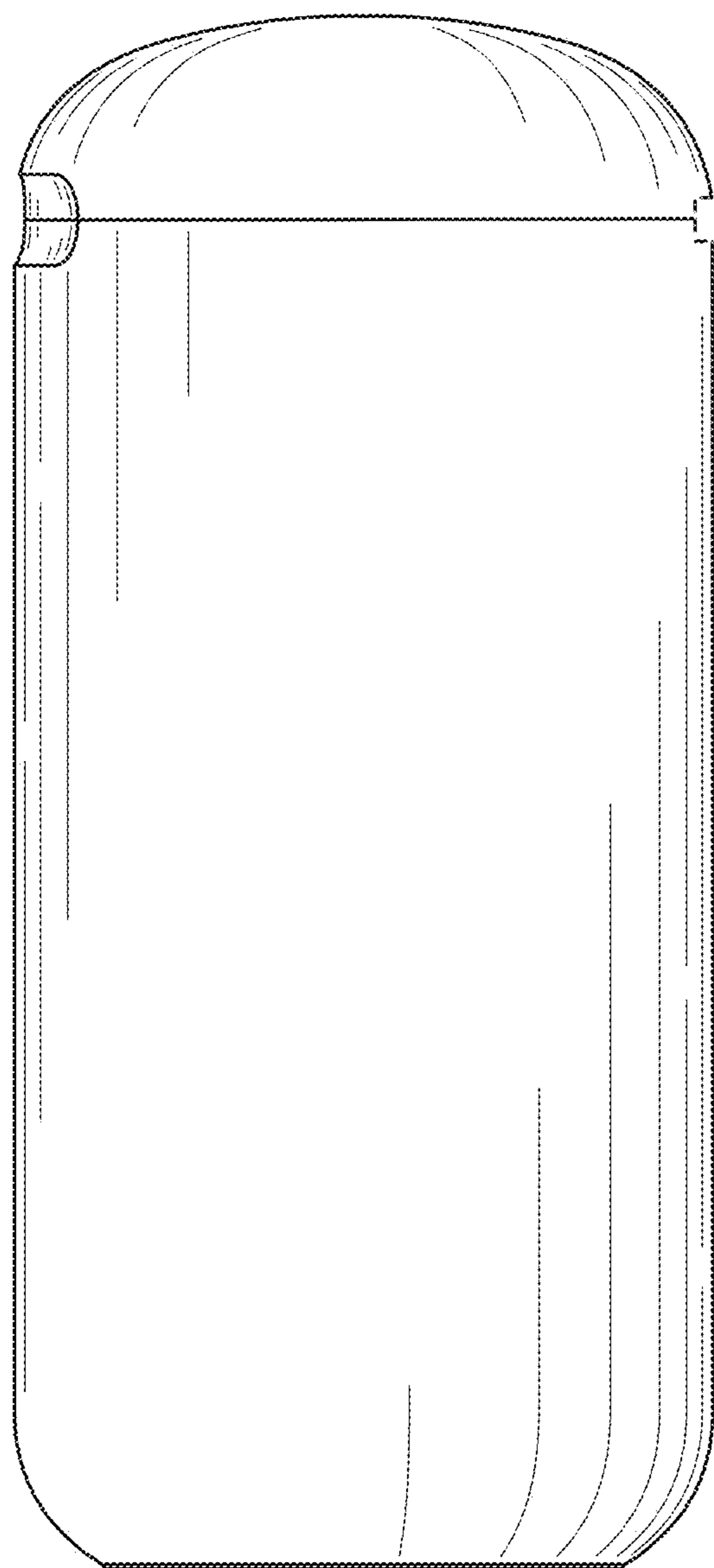


FIG. 4

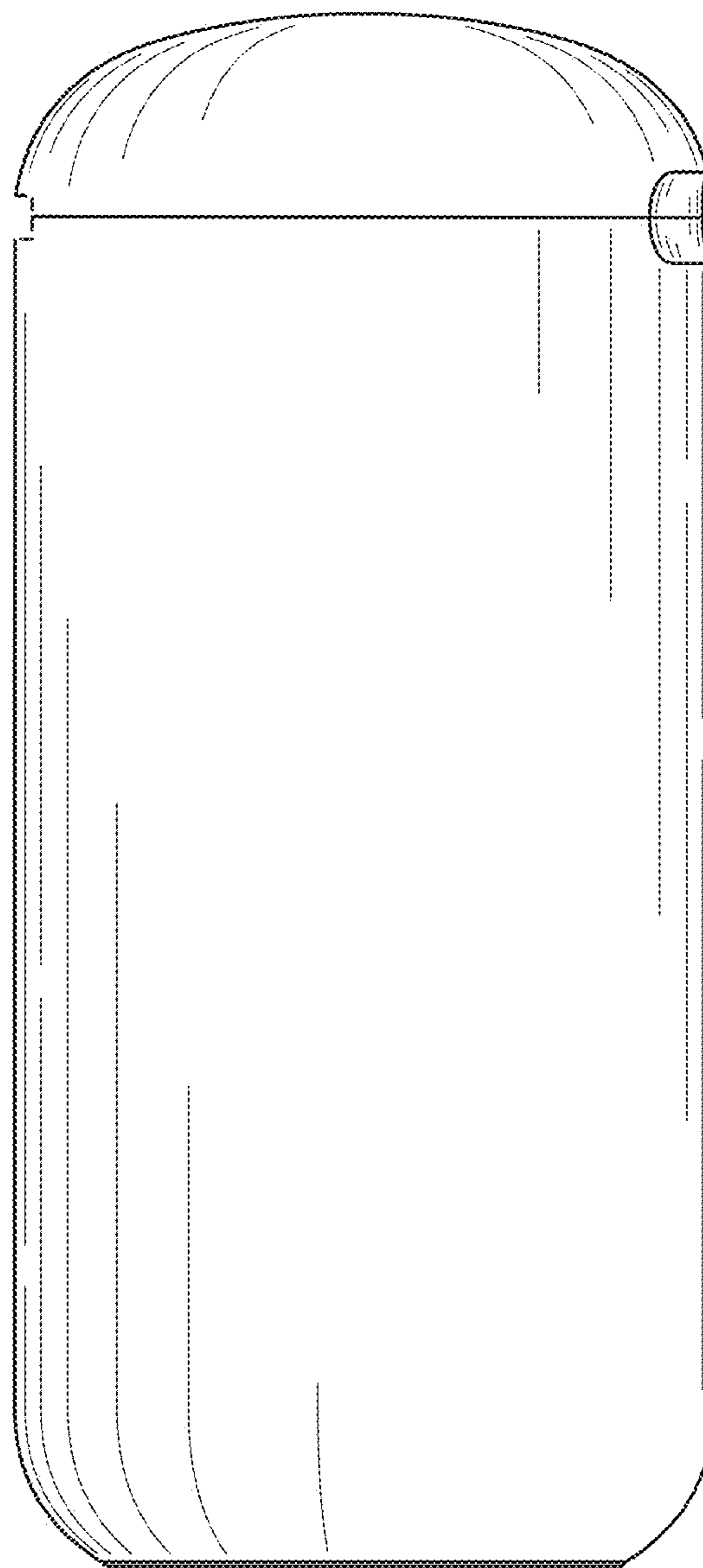


FIG. 5

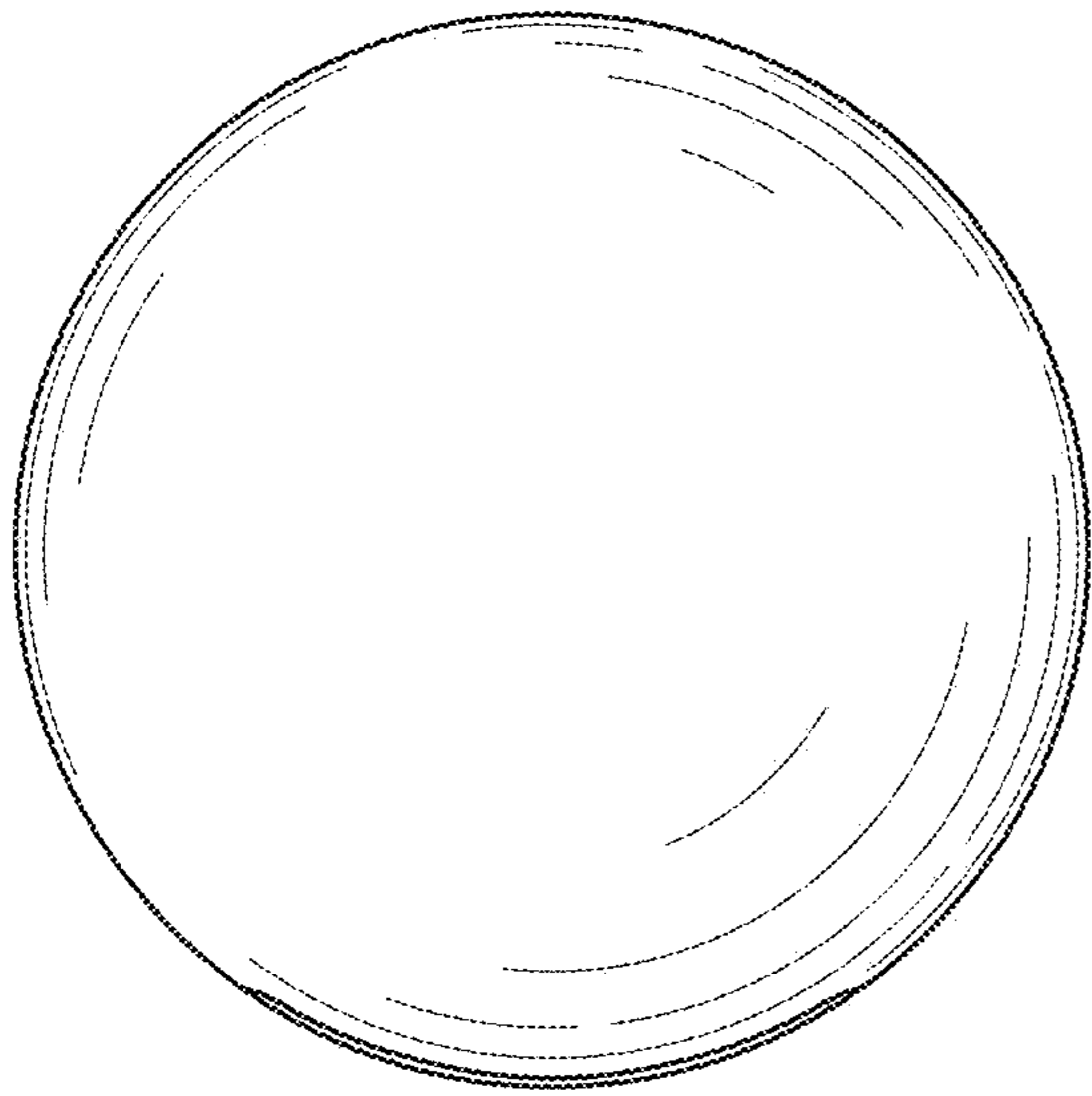


FIG. 6

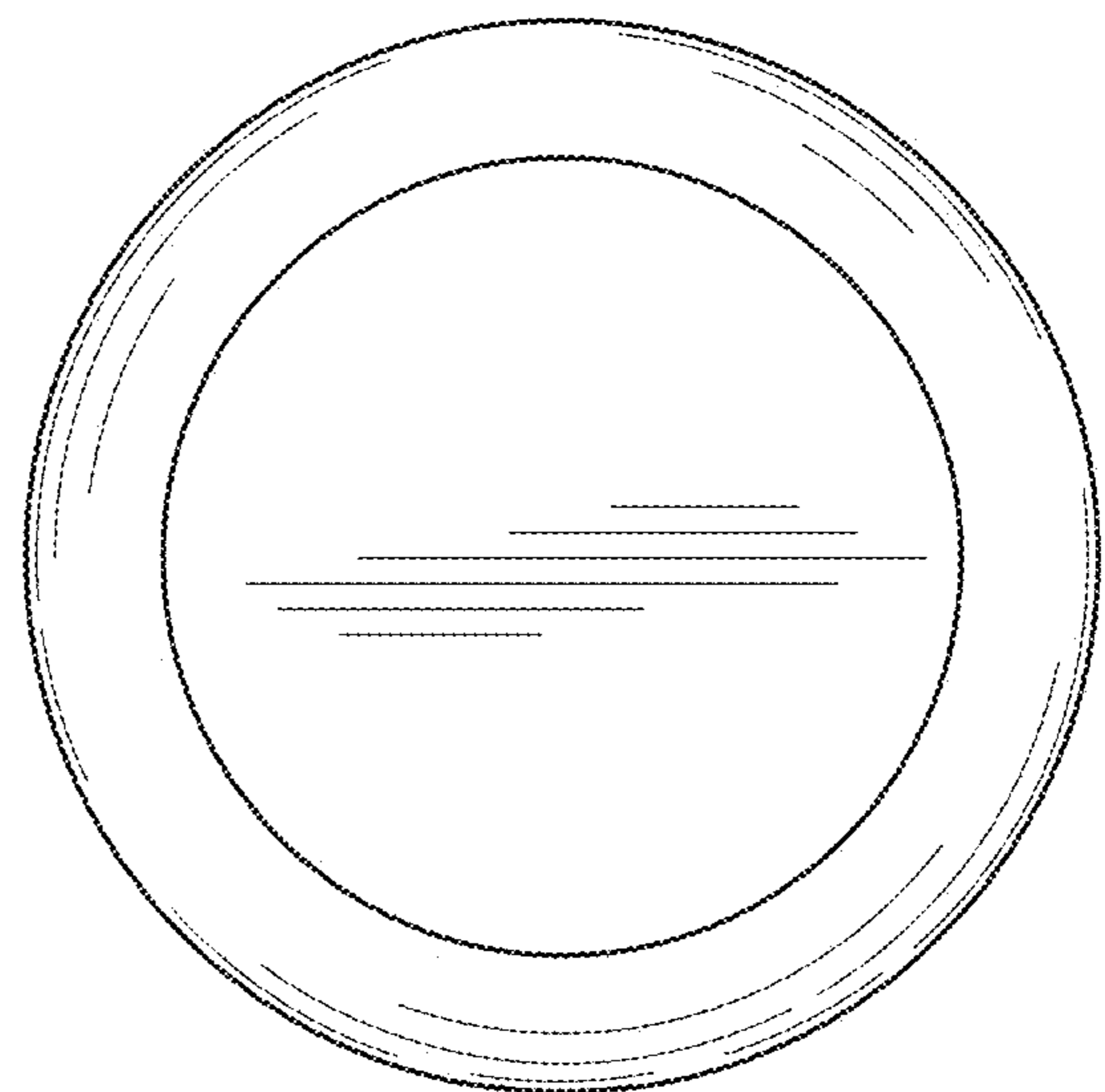


FIG. 7

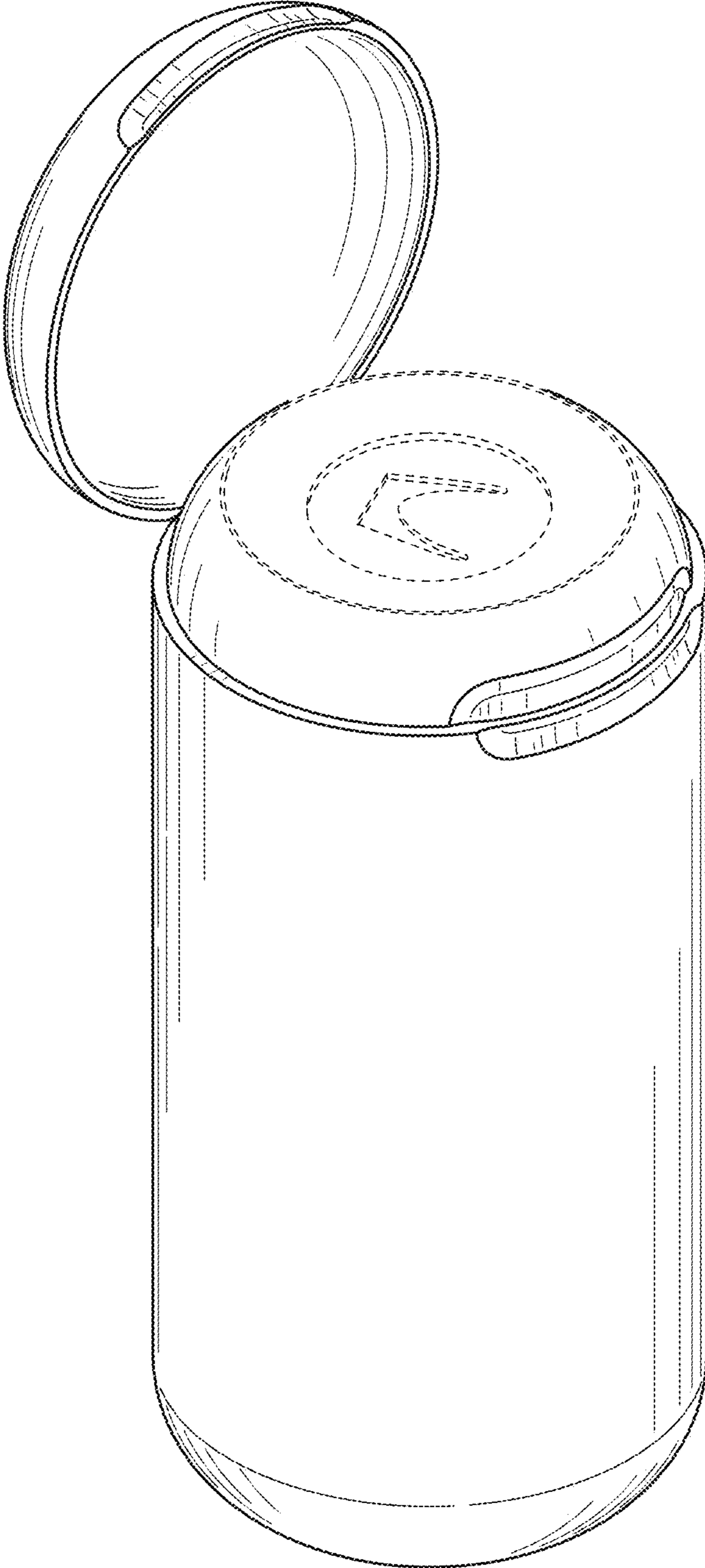


FIG. 8