



US00D953885S

(12) **United States Design Patent** (10) **Patent No.:** **US D953,885 S**
Kim (45) **Date of Patent:** **** Jun. 7, 2022**

(54) **COMBINED TUBE CONTAINER AND SYRINGE**

(71) Applicant: **Seong Nam Kim**, Gwacheon-si (KR)

(72) Inventor: **Seong Nam Kim**, Gwacheon-si (KR)

(73) Assignee: **The Standard Co., Ltd.**, Gunpo-si (KR)

(**) Term: **15 Years**

(21) Appl. No.: **29/713,640**

(22) Filed: **Nov. 18, 2019**

(51) **LOC (13) Cl.** **09-03**

(52) **U.S. Cl.**
USPC **D9/715**; D9/424; D24/112; D24/114

(58) **Field of Classification Search**
USPC D24/108, 112-114, 120, 129, 130, 147, D24/164, 176, 180, 222, 224; D9/435, D9/440, 442, 447, 499, 454, 504, 521, D9/544, 695-699, 702-714, 723, 724, D9/727, 728
CPC A61J 1/2096; A61M 5/344; A61C 5/62; A61C 1/088; A61B 17/205

See application file for complete search history.

(56) **References Cited**

U.S. PATENT DOCUMENTS

- D509,352 S * 9/2005 Raven D24/121
- D623,949 S * 9/2010 Throndsen D9/504
- D736,102 S * 8/2015 Tsai D9/723
- D770,302 S * 11/2016 Oelz D9/724
- D789,075 S * 6/2017 Hannon D3/203.1
- D857,192 S * 8/2019 Burkett D24/112
- D862,246 S * 10/2019 Basak-Smith D9/711
- D882,071 S * 4/2020 Stonecipher D24/113
- D895,807 S * 9/2020 Berkely D24/176
- D903,856 S * 12/2020 Nicholas D24/113
- D914,516 S * 3/2021 Roesler D9/711

- D916,277 S * 4/2021 Nicholas D24/113
- 2007/0083164 A1 * 4/2007 Barrelle A61J 7/0053
604/187
- 2008/0210890 A1 * 9/2008 Fago G21F 5/018
250/506.1
- 2014/0163468 A1 * 6/2014 Avery A61J 1/1418
604/111
- 2016/0015900 A1 * 1/2016 Cronenberg A61J 1/2013
604/92
- 2019/0343725 A1 * 11/2019 Denenburg A61J 1/10

FOREIGN PATENT DOCUMENTS

IN 310141 * 1/2020

OTHER PUBLICATIONS

3 pcs 95MM Doob Tube Vial Waterproof Airtight Smell Proof Odor Sealing Container Smoking Accessories Pill Containers S#70. Online, published date Oct. 24, 2019. Retrieved on May 3, 2021 from URL: <https://www.aliexpress.com/i/32915563626.html> (Year: 2019).*

* cited by examiner

Primary Examiner — Omeed Agilee
(74) *Attorney, Agent, or Firm* — Stein IP, LLC

(57) **CLAIM**

The ornamental design for a combined tube container and syringe, as shown and described.

DESCRIPTION

FIG. 1 is a front perspective view of a combined tube container and syringe showing the claimed design;
FIG. 2 is a front view thereof;
FIG. 3 is a rear view thereof;
FIG. 4 is a left side view thereof;
FIG. 5 is a right side view thereof;
FIG. 6 is an enlarged top view thereof; and,
FIG. 7 is an enlarged bottom view thereof.

1 Claim, 6 Drawing Sheets

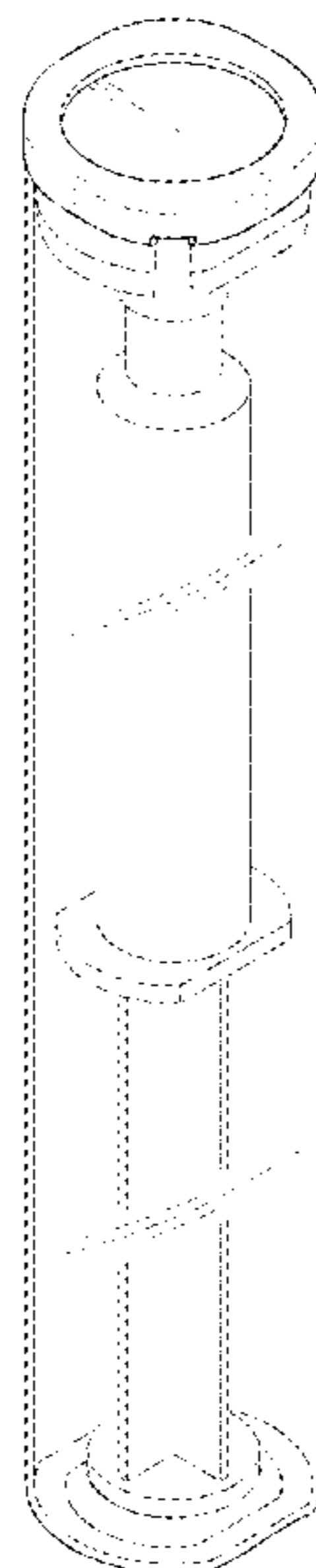


FIG. 1

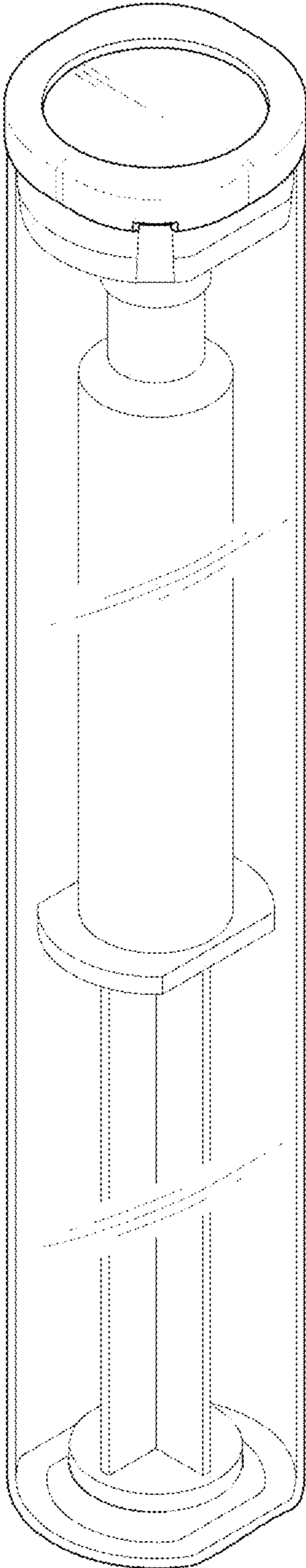


FIG. 2

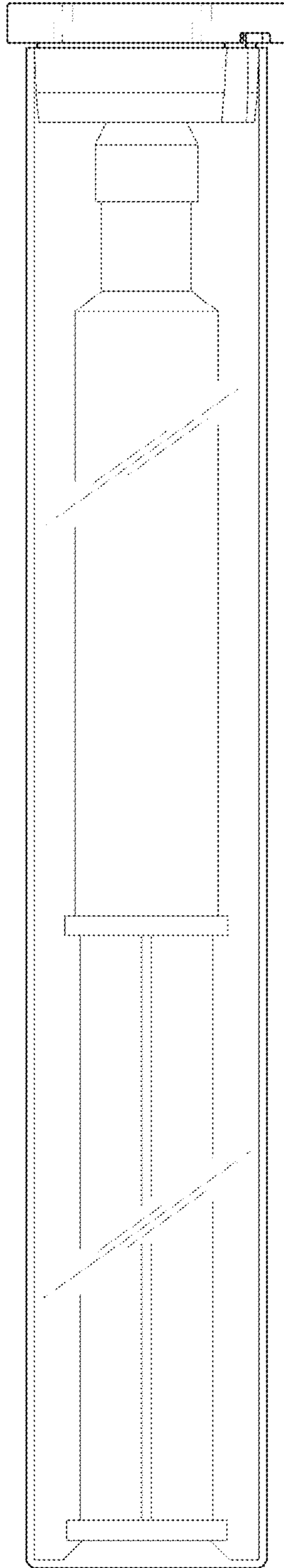


FIG. 3

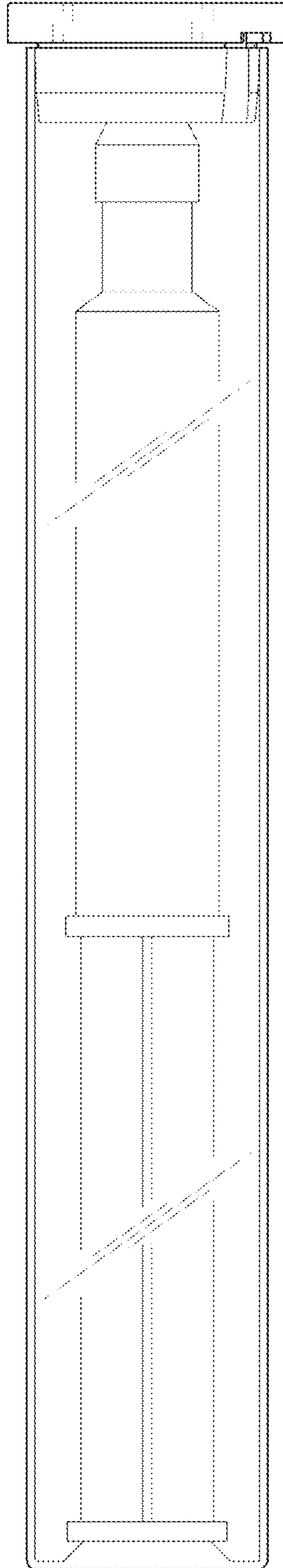


FIG. 4

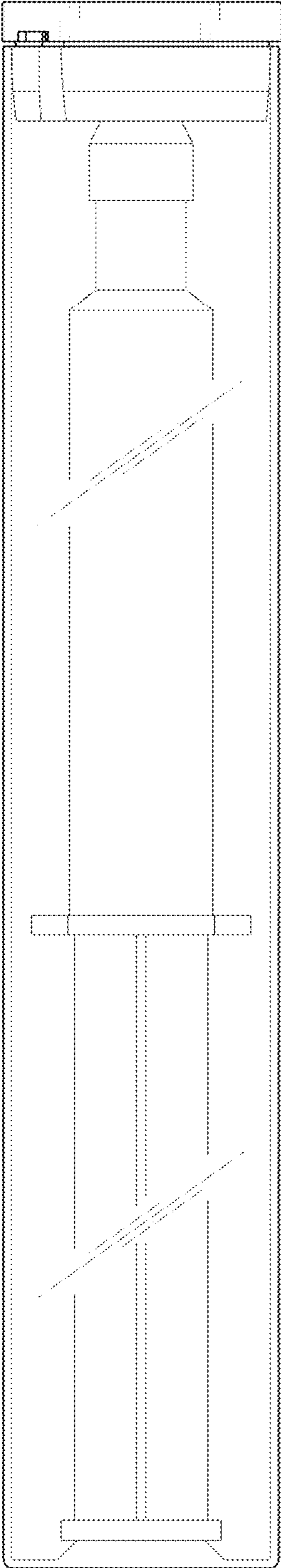


FIG. 5

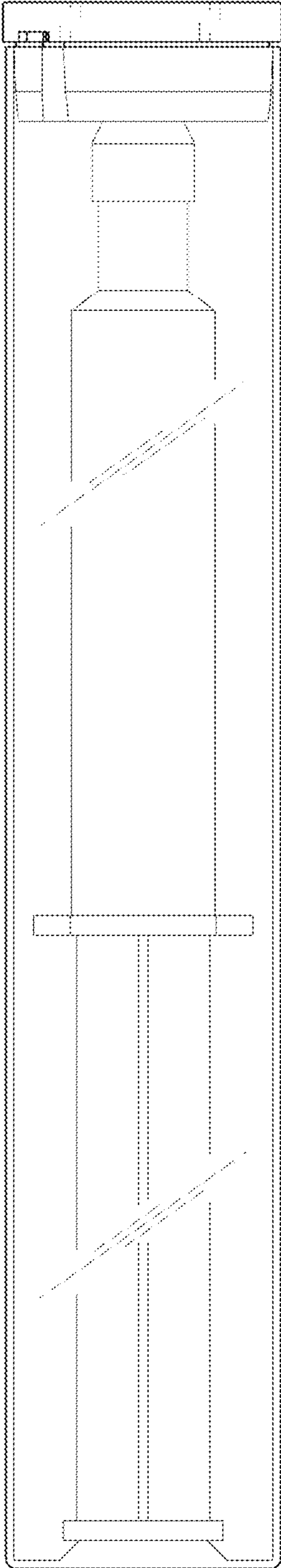


FIG. 6

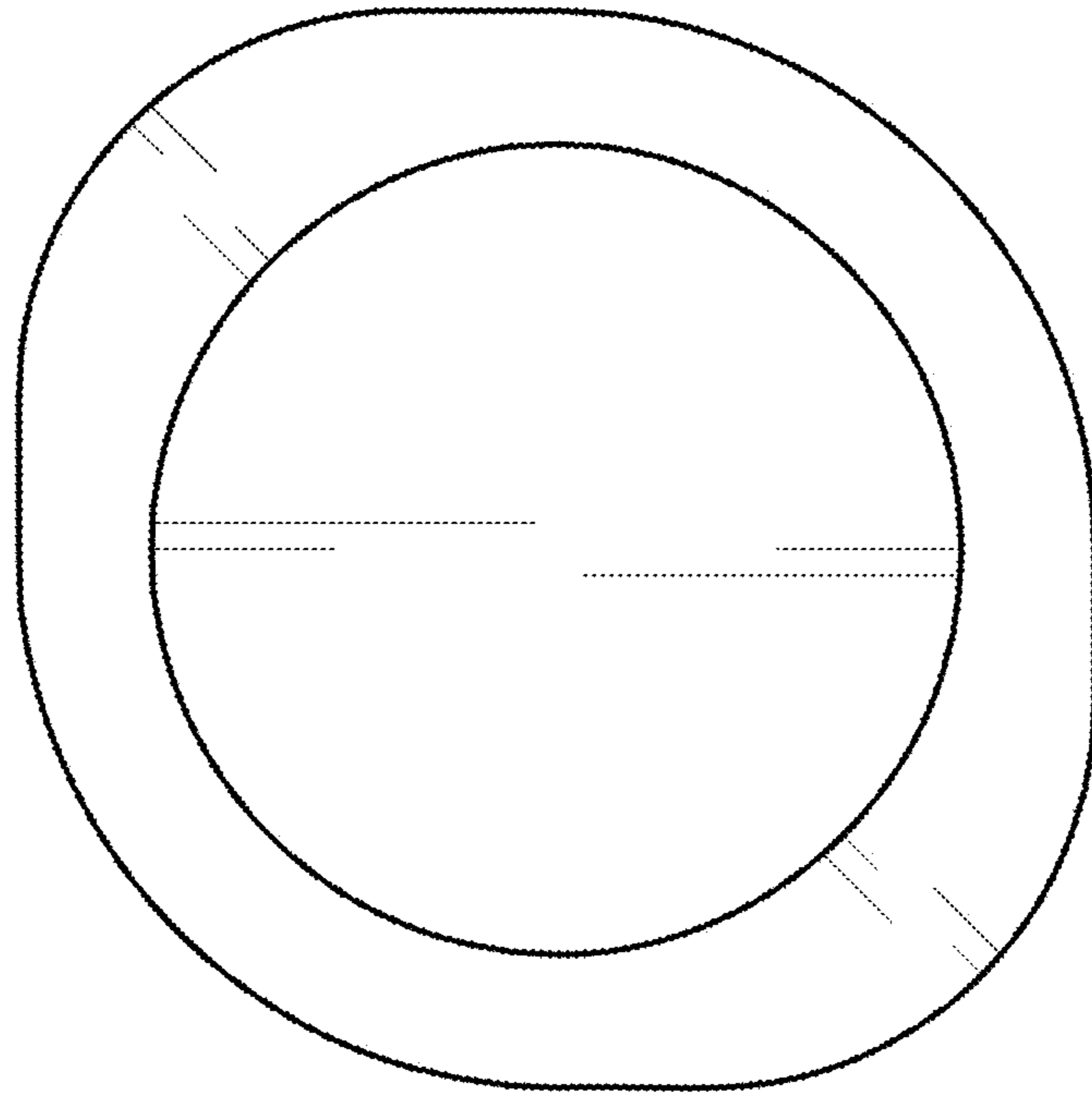


FIG. 7

