



US00D953883S

(12) **United States Design Patent** (10) **Patent No.:** **US D953,883 S**  
**Erickson et al.** (45) **Date of Patent:** **\*\* \*Jun. 7, 2022**

(54) **CAP FOR A POUCH**

(71) Applicant: **Scholle IPN Corporation**, Northlake, IL (US)

(72) Inventors: **Kyle Jacob Erickson**, Naperville, IL (US); **Anton Bloedt**, Tilburg (NL)

(73) Assignee: **Scholle IPN Corporation**, Northlake, IL (US)

(\* ) Notice: This patent is subject to a terminal disclaimer.

(\*\*) Term: **15 Years**

(21) Appl. No.: **29/740,996**

(22) Filed: **Jul. 8, 2020**

(51) **LOC (13) Cl.** ..... **09-05**

(52) **U.S. Cl.**  
USPC ..... **D9/708**

(58) **Field of Classification Search**  
USPC ..... D9/435, 439, 443, 447, 449, 529, 503, D9/682, 702-714, 516, 525, 549, 551, D9/564, 414, 417, 422, 424; 220/203.04-203.7, 703, 288; 383/80; 493/214; D7/396.2, 509, 510, 511, 900; 215/200, 235, 252, 329, 355-364, 306; 222/521, 494, 492; D28/82; D24/207; D3/273, 201  
CPC ..... B65D 47/00; B65D 47/04; B65D 51/14; B65D 51/18

See application file for complete search history.

(56) **References Cited**

U.S. PATENT DOCUMENTS

D566,640 S *	4/2008	Holz	.....	D12/197
D684,055 S *	6/2013	Kwon	.....	D9/452
D759,486 S *	6/2016	Ingram	.....	D9/453
D766,717 S *	9/2016	Sheikh	.....	D9/435
D791,591 S *	7/2017	Berge	.....	D9/452
D806,544 S *	1/2018	Williams	.....	D9/445
D906,108 S *	12/2020	Kwon	.....	D9/452

\* cited by examiner

*Primary Examiner* — Abraham Bahta

(74) *Attorney, Agent, or Firm* — The Watson IP Group, PLC; Jovan N. Jovanovic

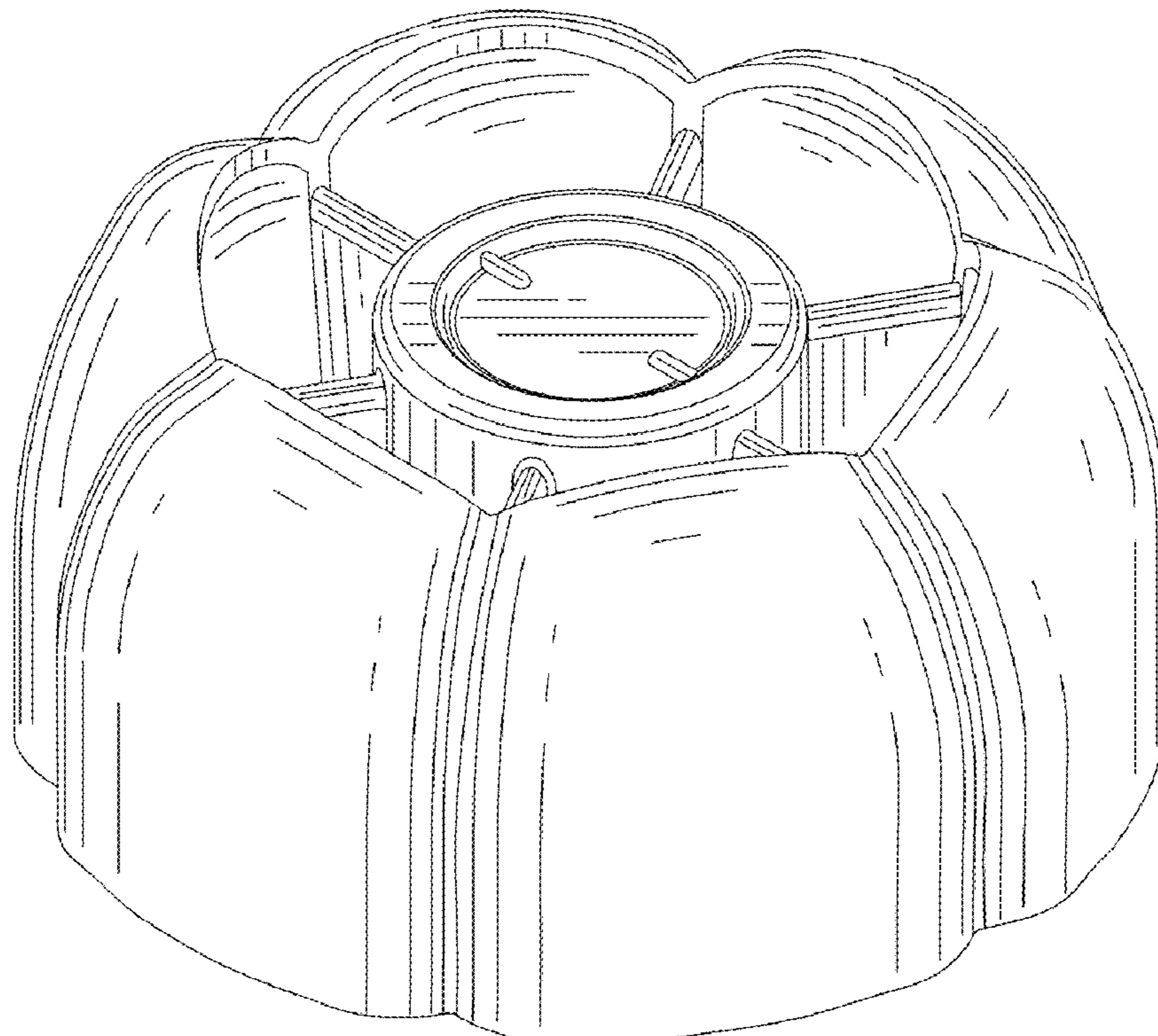
(57) **CLAIM**

The ornamental design for a cap for a pouch, as shown and described.

**DESCRIPTION**

FIG. 1 is a perspective view of the cap for a pouch showing our new design;  
FIG. 2 is a front elevational view thereof;  
FIG. 3 is a first side view thereof;  
FIG. 4 is a back view thereof;  
FIG. 5 is a second side view thereof;  
FIG. 6 is a top plan view thereof; and,  
FIG. 7 is a bottom plan view thereof.

**1 Claim, 4 Drawing Sheets**



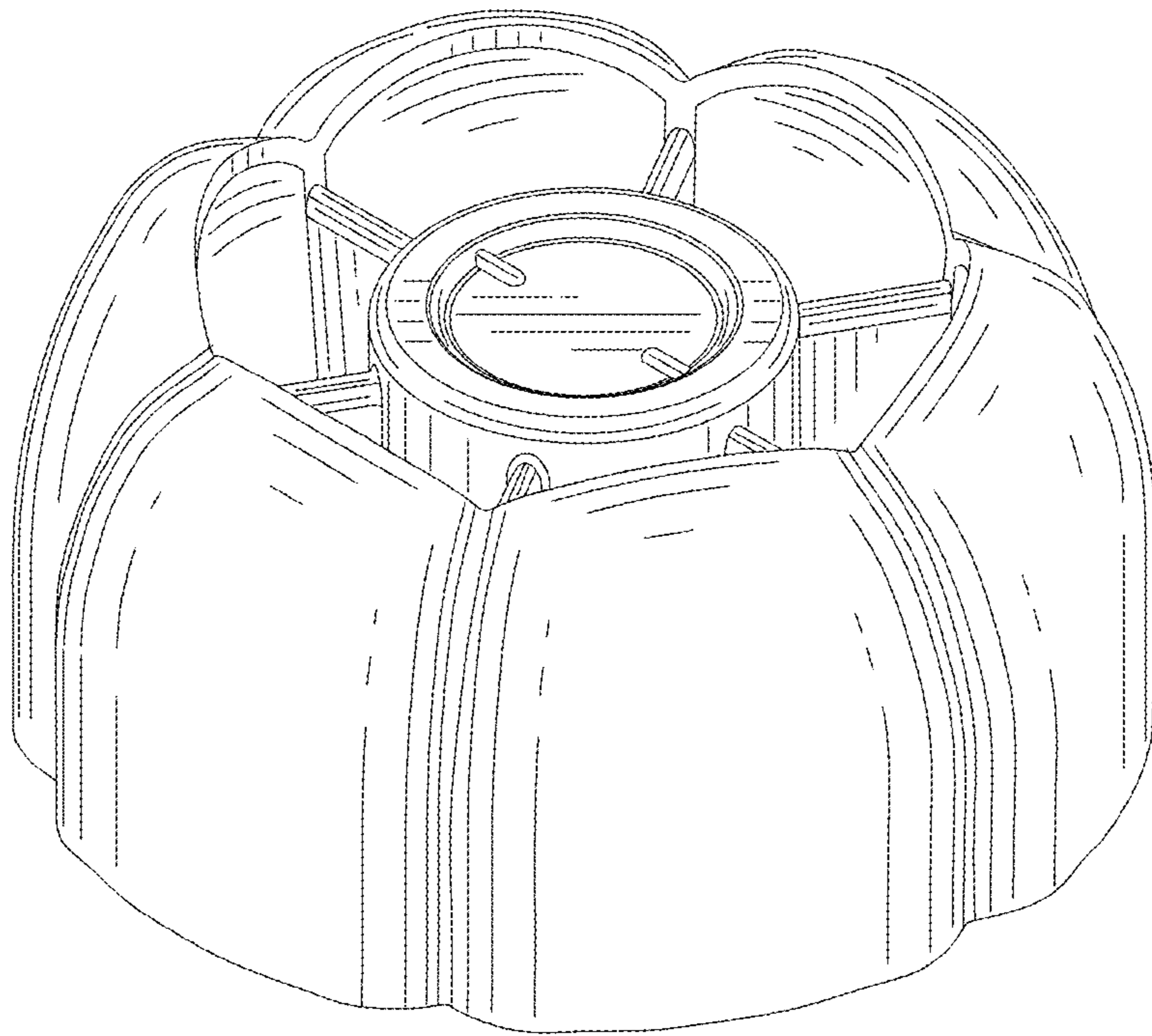


FIG. 1

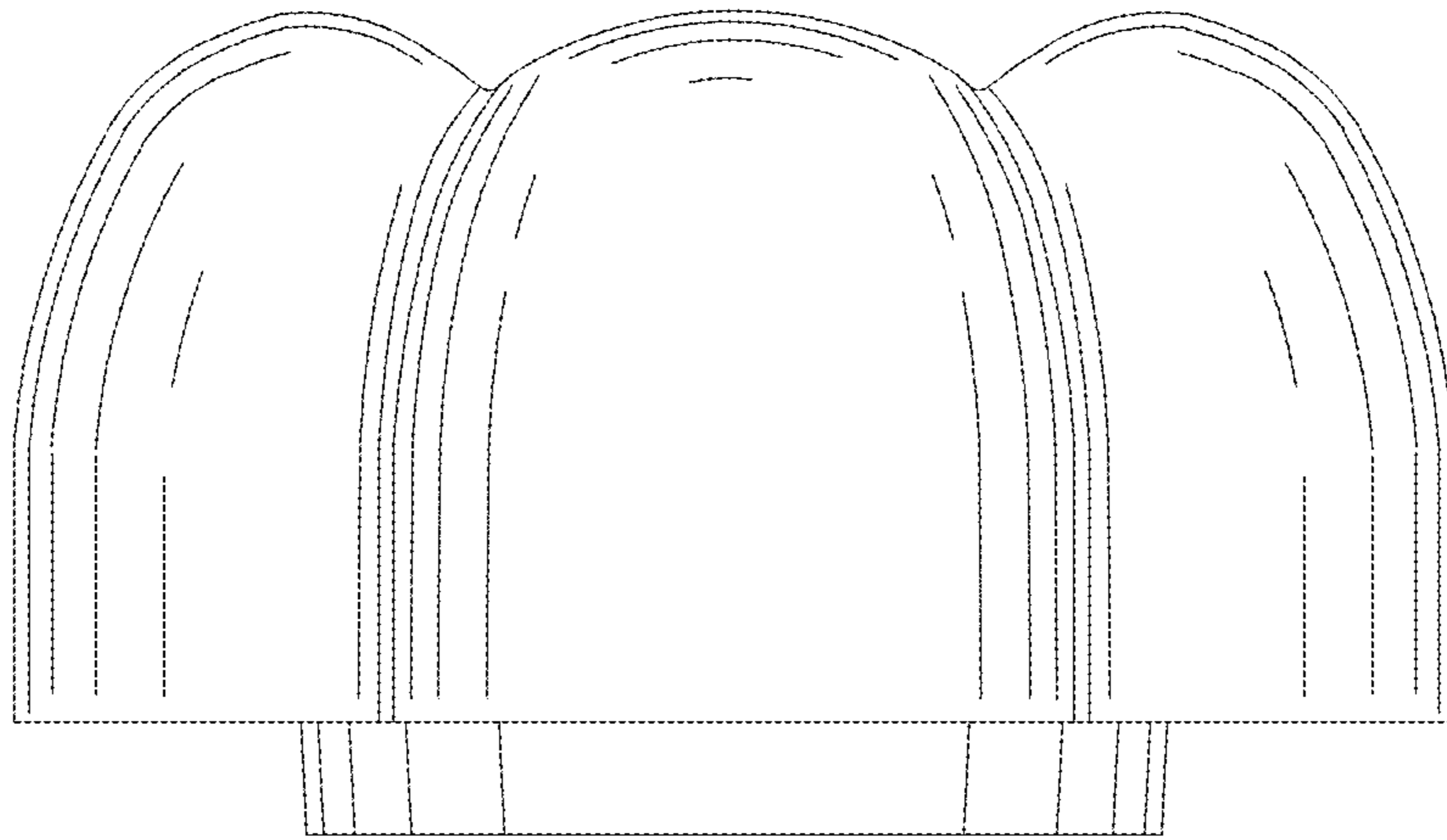


FIG. 2

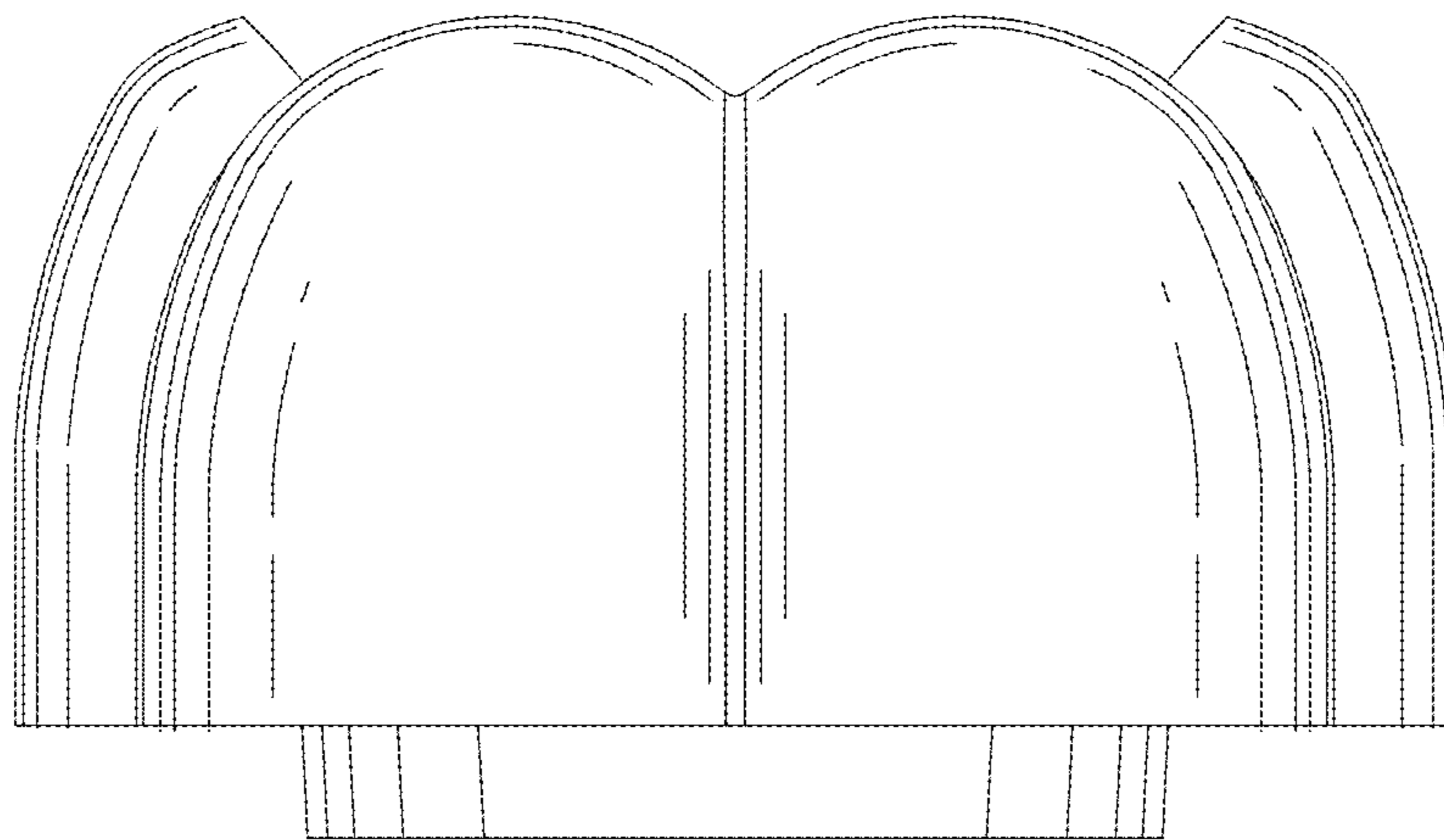


FIG. 3

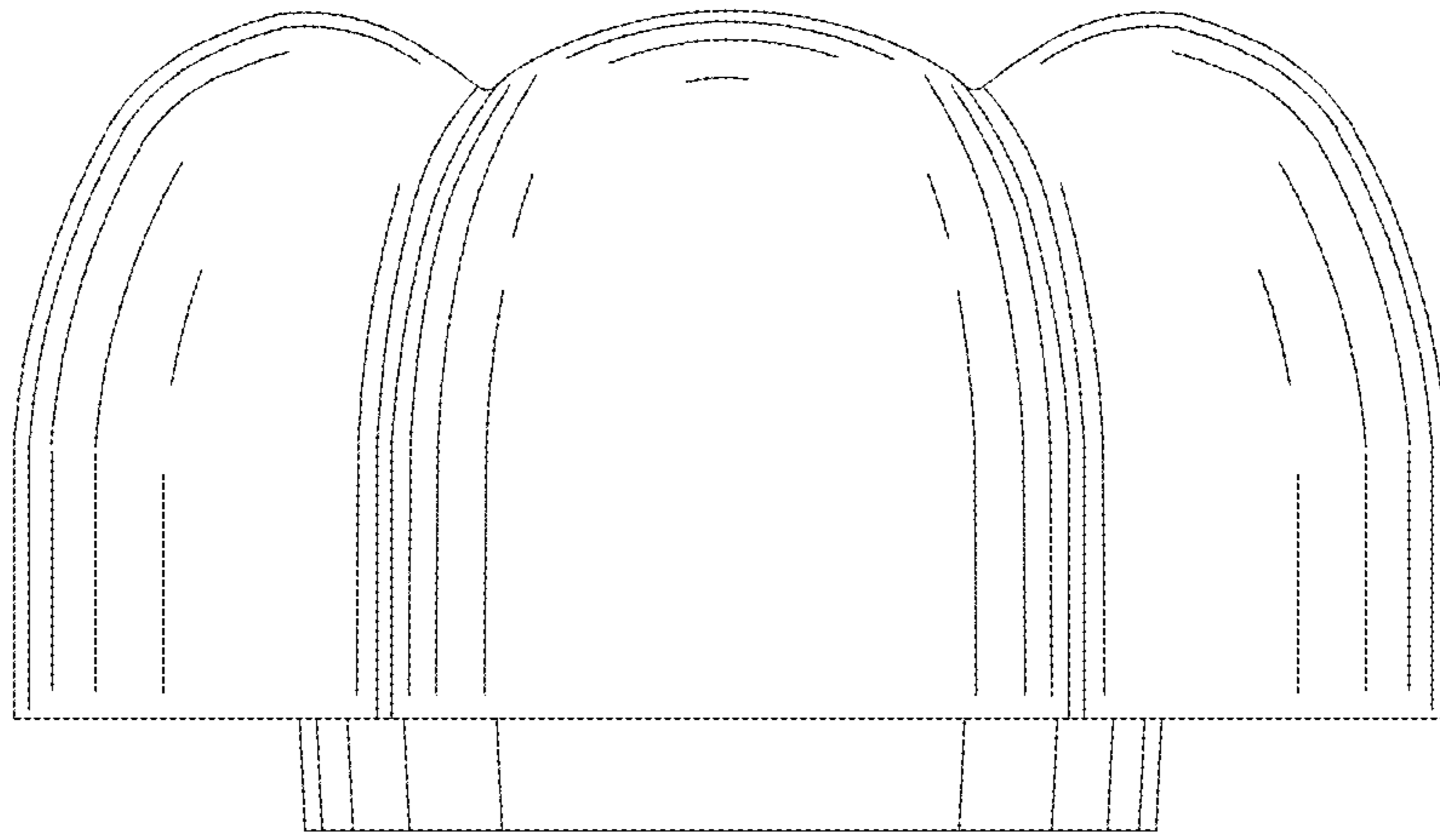


FIG. 4

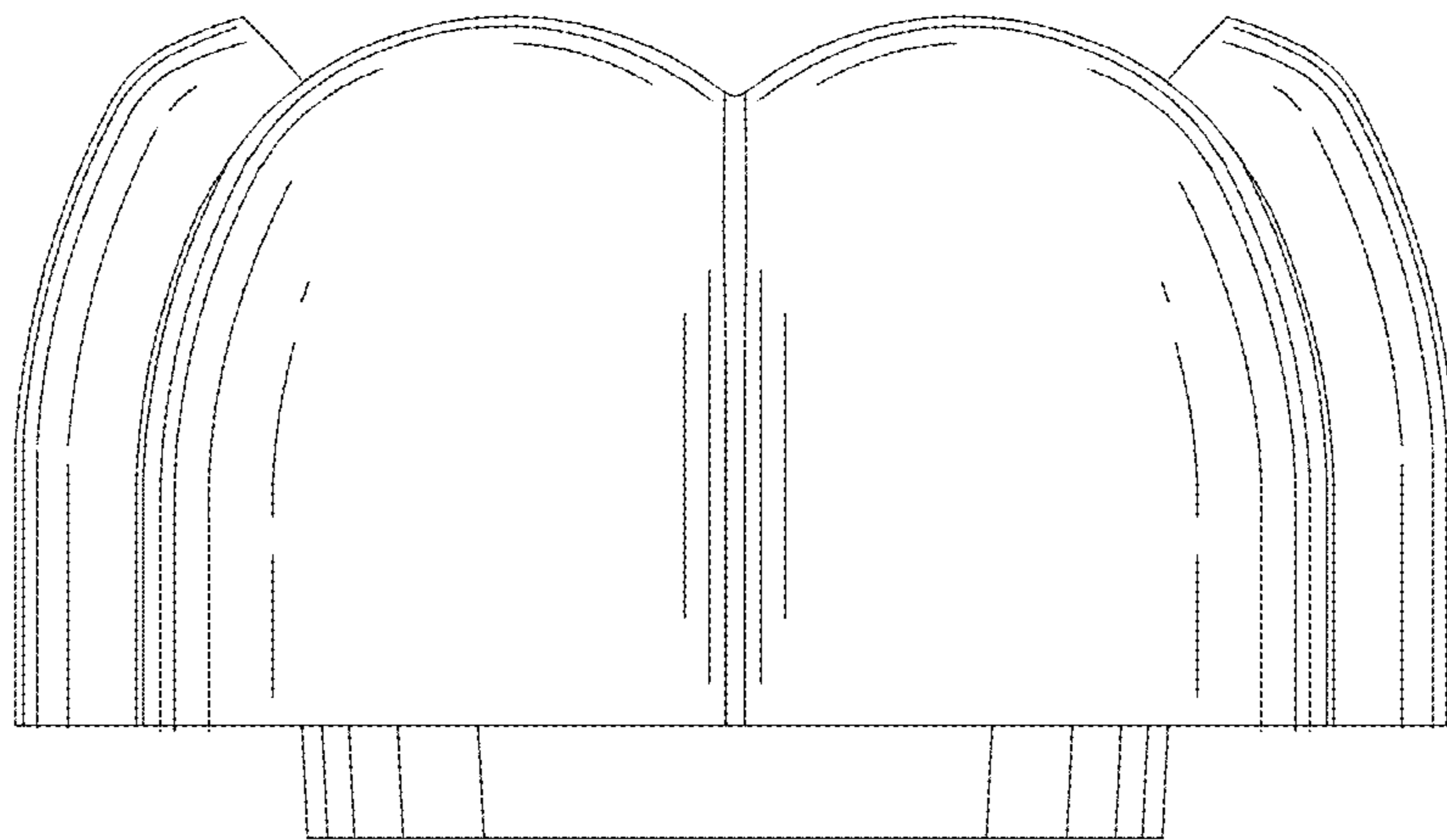


FIG. 5

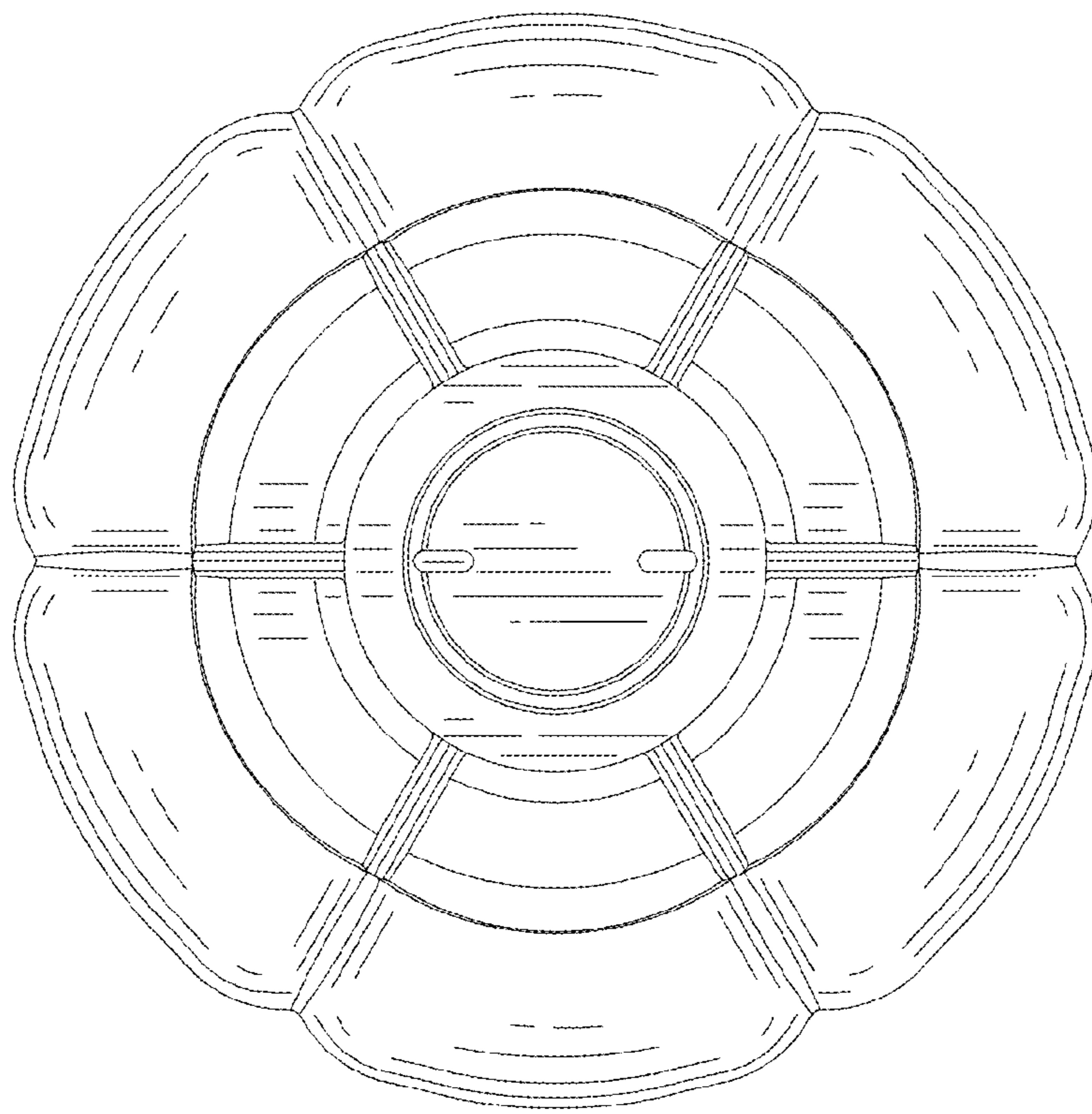


FIG. 6

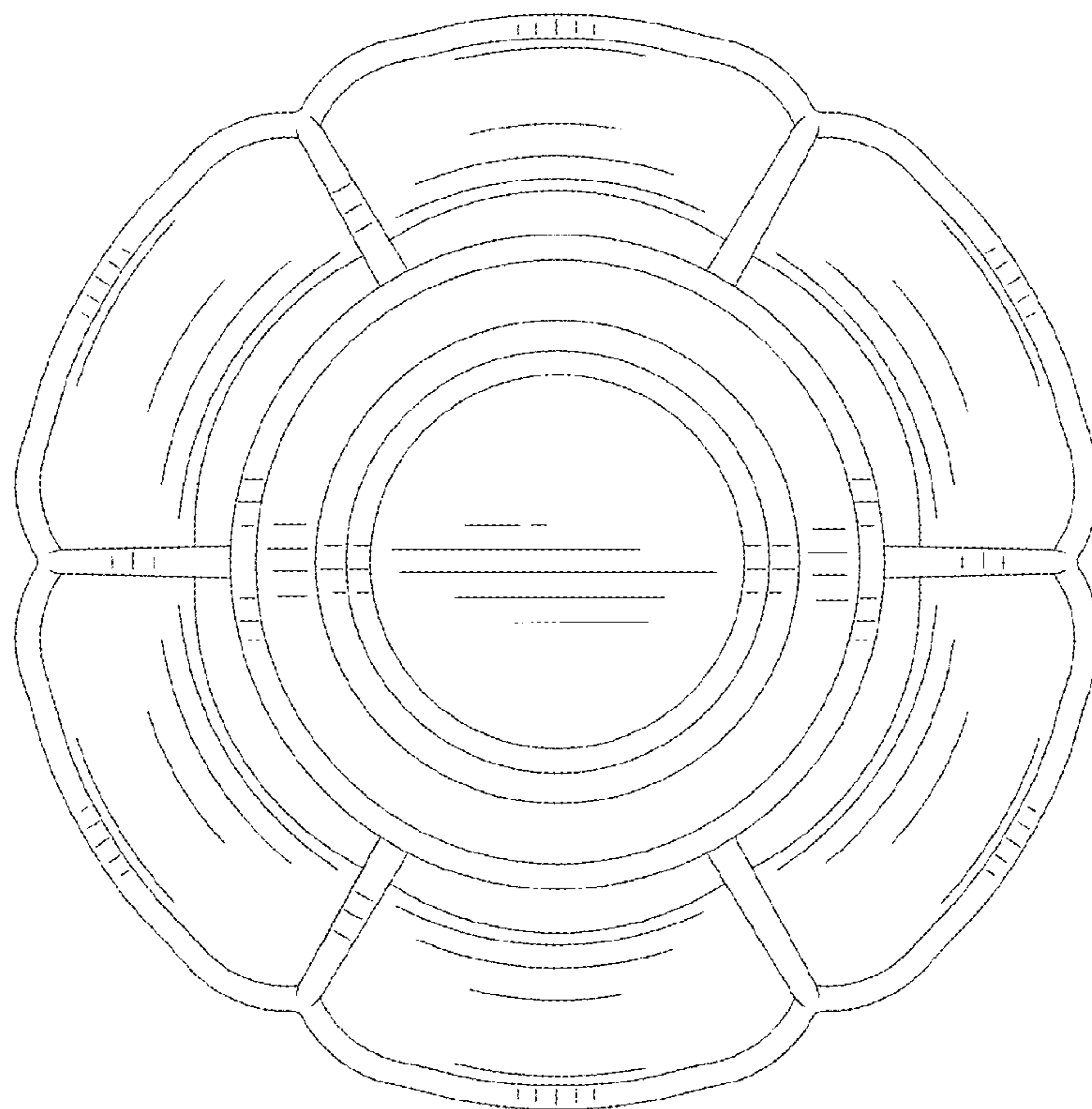


FIG. 7