



US00D953881S

(12) **United States Design Patent** (10) **Patent No.:** **US D953,881 S**  
**Sunder et al.** (45) **Date of Patent:** **\*\* Jun. 7, 2022**

(54) **MULTI-CHAMBER POUCH**  
(71) Applicant: **Henkel AG & Co. KGaA**, Duesseldorf (DE)  
(72) Inventors: **Matthias Sunder**, Duesseldorf (DE); **Frank Meier**, Duesseldorf (DE)  
(73) Assignee: **Henkel AG & Co. KGaA**, Duesseldorf (DE)

D714,161 S 9/2014 Crawford et al.  
D733,962 S 7/2015 Sunder  
D735,407 S 7/2015 Gerhards  
(Continued)

**FOREIGN PATENT DOCUMENTS**

CN 304808016 9/2018  
CN 304900488 11/2018  
(Continued)

**OTHER PUBLICATIONS**

Design U.S. Appl. No. 29/610,375, filed Jul. 12, 2017 Inventor: Gerhards, Katja et al. Applicant: Henkel AG & Co. KGaA 60 pages.  
(Continued)

*Primary Examiner* — Abraham Bahta  
(74) *Attorney, Agent, or Firm* — Bojuan Deng

(57) **CLAIM**

The ornamental design for multi-chamber pouch, as shown and described.

**DESCRIPTION**

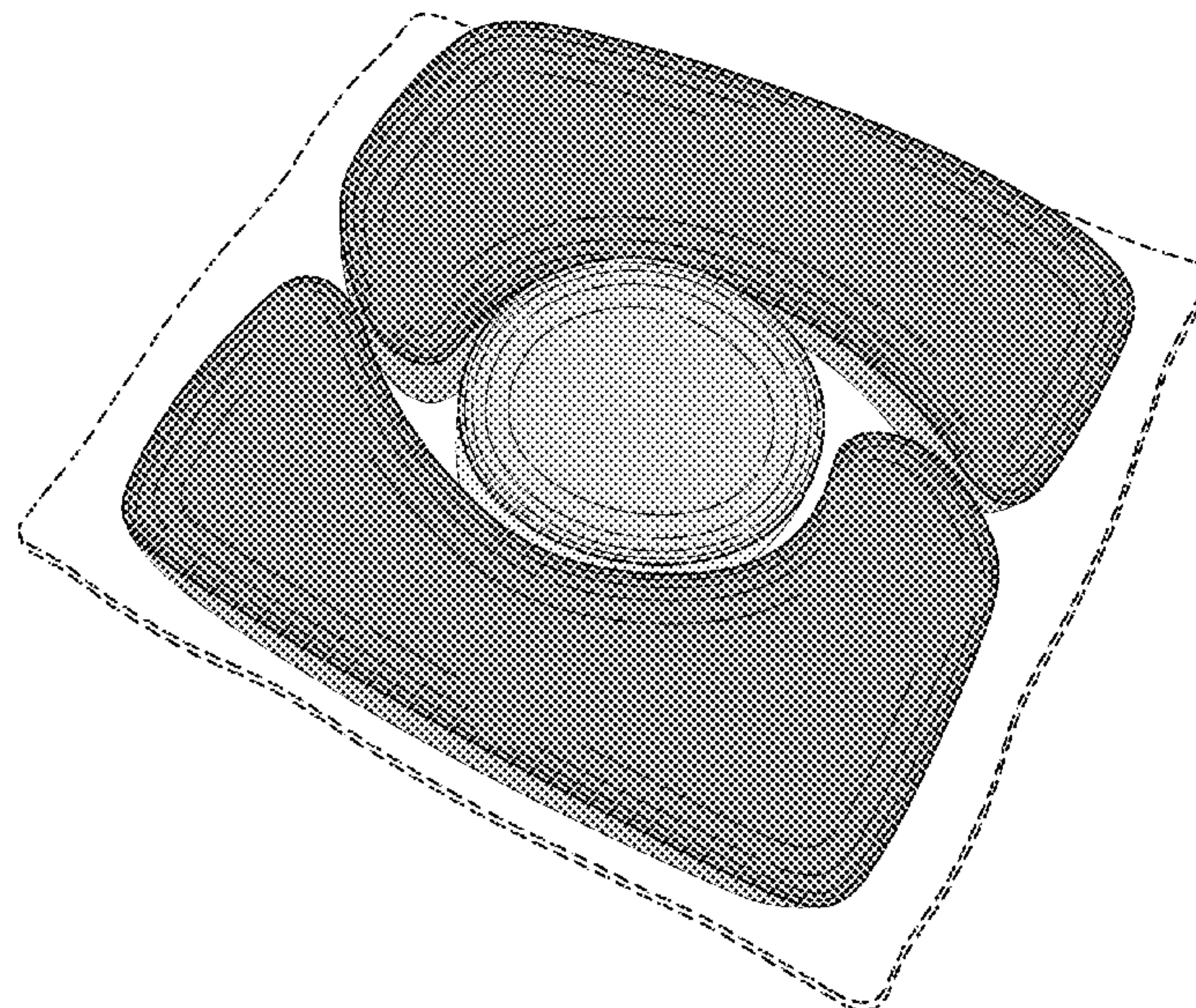
FIG. 1 is a front perspective view of a multi-chamber pouch embodying our new design;  
FIG. 2 is a front side elevation view of the multi-chamber pouch;  
FIG. 3 is a rear side elevation view of the multi-chamber pouch;  
FIG. 4 is a right side elevation view of the multi-chamber pouch;  
FIG. 5 is a left side elevation view of the multi-chamber pouch;  
FIG. 6 is a top plan view of the multi-chamber pouch; and, FIG. 7 is a bottom plan view of the multi-chamber pouch. The broken lines are included for the purpose of illustrating the portions of the multi-chamber pouch that form no part of the claimed design.

**1 Claim, 7 Drawing Sheets**

(\*\*) Term: **15 Years**  
(21) Appl. No.: **29/723,259**  
(22) Filed: **Feb. 5, 2020**  
(30) **Foreign Application Priority Data**  
Aug. 5, 2019 (EM) ..... 006686580  
(51) **LOC (13) Cl.** ..... **09-05**  
(52) **U.S. Cl.**  
USPC ..... **D9/707; D28/8.1**  
(58) **Field of Classification Search**  
USPC ..... D9/702-714, 414-416, 428, 421, D9/424-426, 430-432, 759, 425; D28/4-8, 8.1-8.2  
CPC ..... C11D 17/006; C11D 17/0065-17/0091; C11D 17/00-17/0039; C11D 17/04-17/047  
See application file for complete search history.

(56) **References Cited**  
**U.S. PATENT DOCUMENTS**

D673,327 S 12/2012 Dedeyan et al.  
D679,862 S 4/2013 Sunder  
D679,863 S 4/2013 Sunder  
D689,240 S 9/2013 Sunder  
D689,241 S 9/2013 Gerhards  
D691,326 S 10/2013 Gerhards  
D695,451 S 12/2013 Gerhards



(56)

References Cited

U.S. PATENT DOCUMENTS

D735,408 S 7/2015 Meier  
 D735,409 S 7/2015 Sunder  
 D744,162 S 11/2015 Sunder  
 D748,330 S 1/2016 Gerhards  
 D758,884 S 6/2016 Butler  
 D774,250 S \* 12/2016 McLenithan ..... D28/8.1  
 D783,203 S \* 4/2017 Johnson ..... D28/8.1  
 D797,405 S \* 9/2017 Waldman ..... D2/735  
 D800,964 S 10/2017 Zuckerman et al.  
 D812,297 S \* 3/2018 Johnson ..... D28/8.1  
 D812,298 S 3/2018 Burdeos Andreu  
 D821,029 S 6/2018 Crivolio et al.  
 D821,645 S 6/2018 Nelemans et al.  
 D821,646 S 6/2018 Johnson et al.  
 D825,847 S 8/2018 Wissmann  
 D829,984 S 10/2018 Gerhards et al.  
 D829,985 S 10/2018 Eggemeyer  
 D833,068 S 11/2018 Sunder  
 D838,038 S \* 1/2019 Tarnowsky ..... D28/8.1  
 D844,450 S 4/2019 Witzke  
 D846,189 S 4/2019 Bahadoorsingh  
 D850,287 S 6/2019 Sahatjian  
 D902,741 S \* 11/2020 Cho ..... D9/707  
 2015/0136637 A1 5/2015 Meier et al.

2018/0282671 A1 10/2018 Meier et al.  
 2018/0282672 A1 10/2018 Meier et al.  
 2018/0282673 A1 10/2018 Meier et al.

FOREIGN PATENT DOCUMENTS

CN 304996312 1/2019  
 KR 300997015.0000 3/2019

OTHER PUBLICATIONS

Guangdong Youkai Technical Co., Ltd. "Household Non-Phosphorus Cloth Cleaner Detergent Gel 12g Laundry Detergent 60% Active Content Lemon Capsules". Made-in-China. 1998-2019 Focus Technology Co., Ltd. Site accessed Aug. 22, 2019. <chinayoukai.en.made-in-china.com/product/ujxmlHcKhvVY/China-Household-Non-Phosphorus-Cloth-Cleaner-Detergent-Gel-12g-Laundry-Detergent-60-Active-Content-Lemon-Capsules.html>.  
 Machado, Yolanda, "Tide Pods Make Laundry Easy". Sassy Mama in LA 2019. Published Oct. 30, 2015. Site accessed Aug. 22, 2019. <sassymamainla.com/2015/10/tide-pods-make-laundry-easy/.html>.  
 Office Action (Non-Final) Design U.S. Appl. No. 29/610,375 dated Sep. 11, 2019 18 pages.

\* cited by examiner



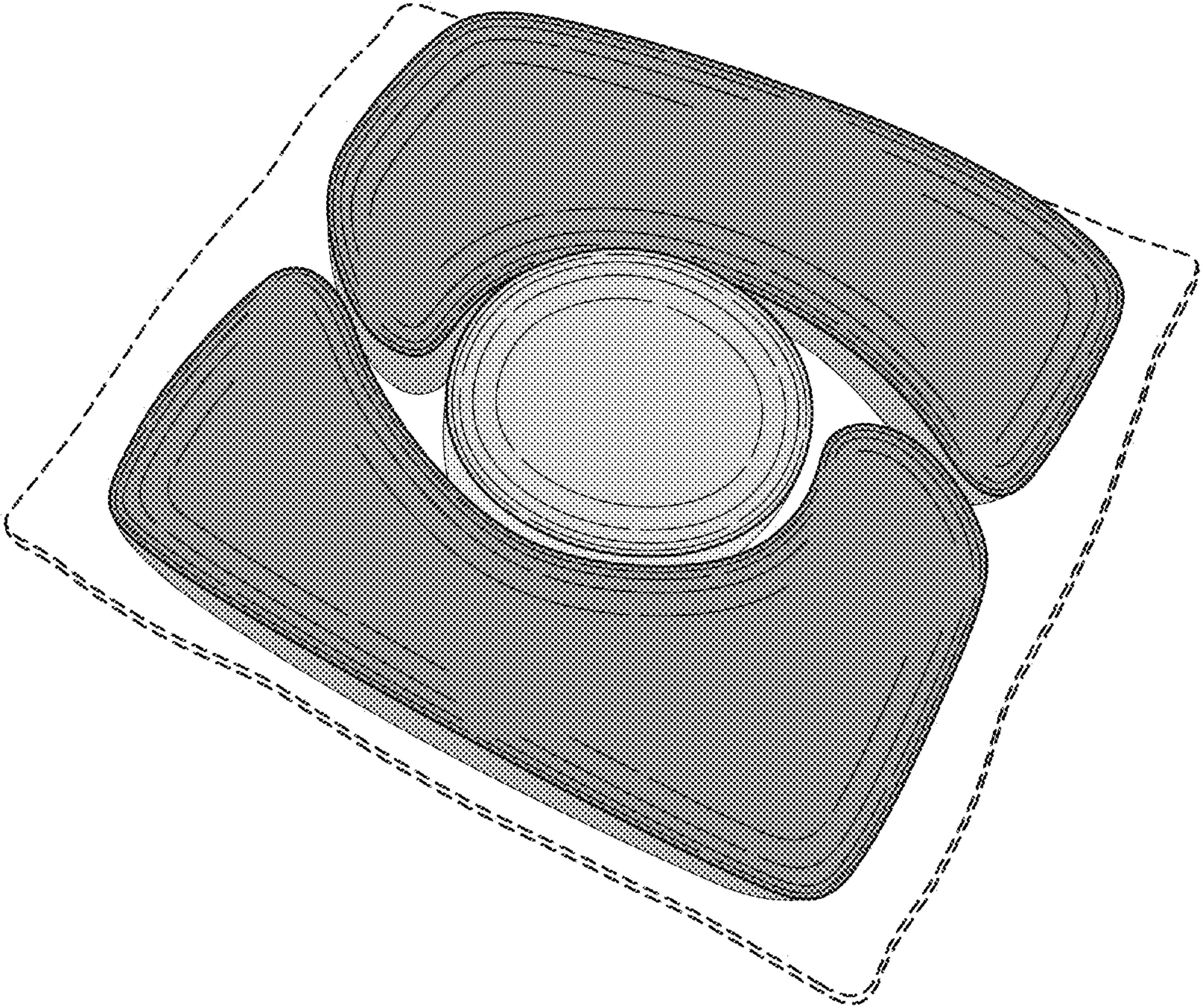


FIG. 1

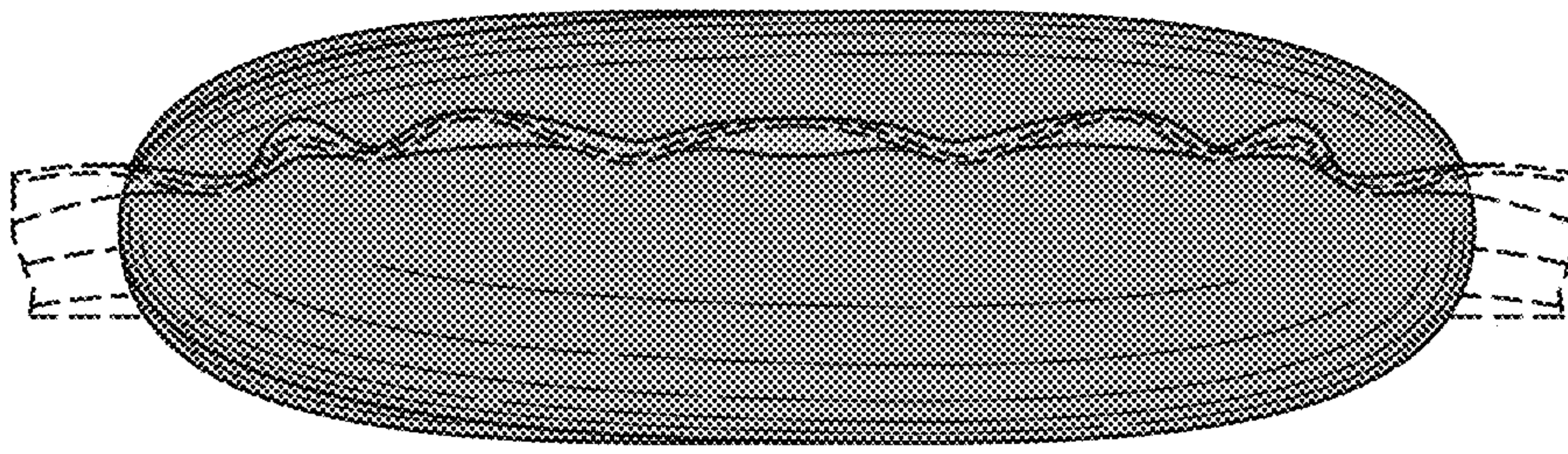


FIG. 2

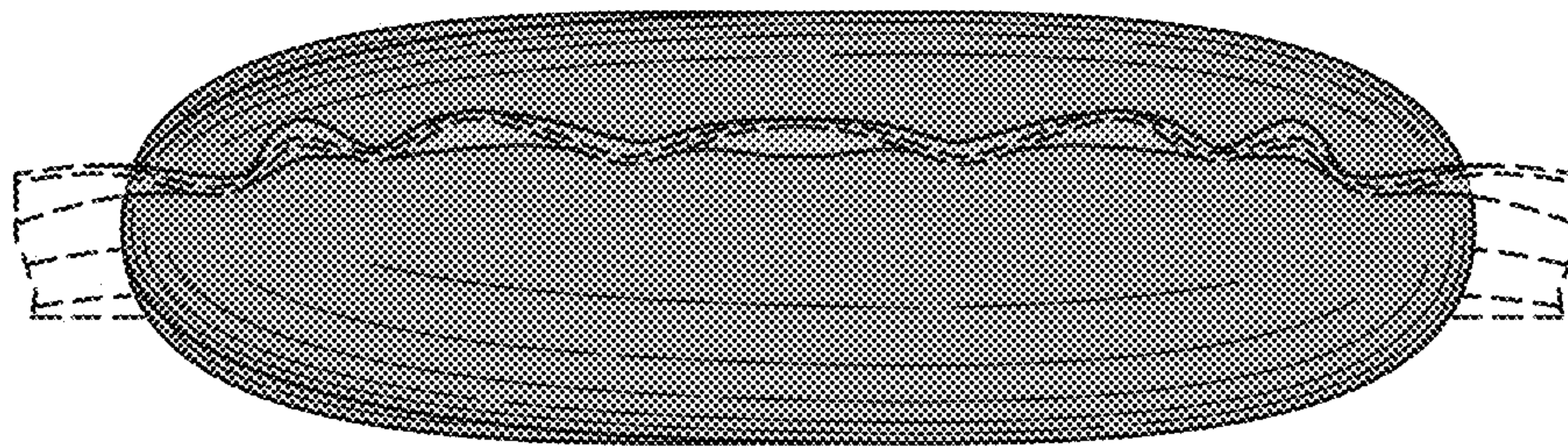


FIG. 3



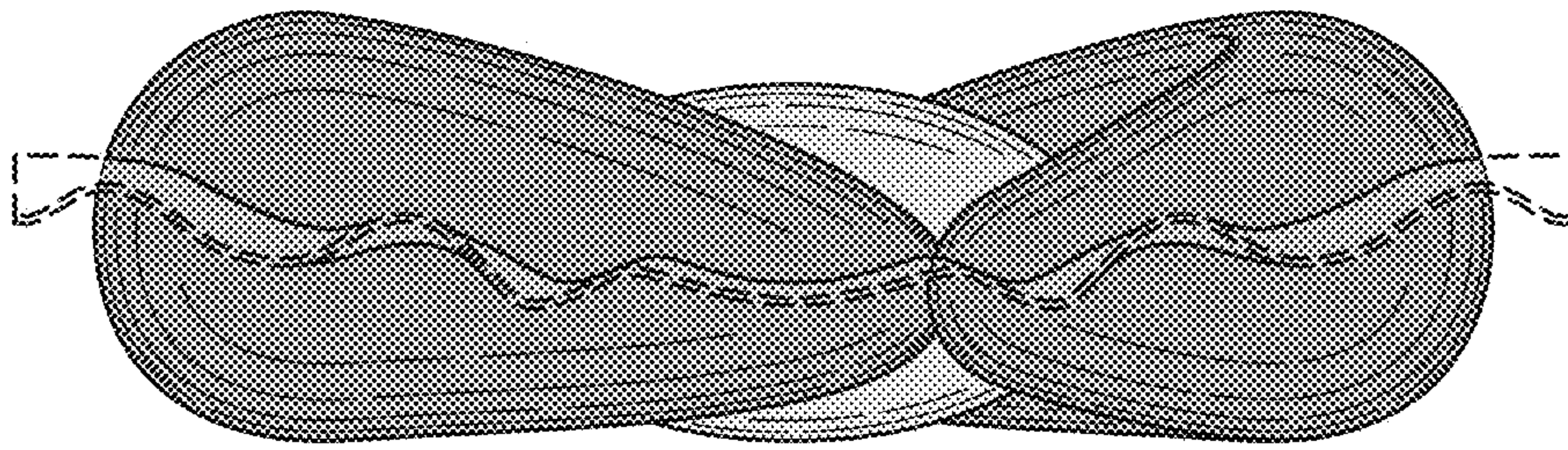


FIG. 4

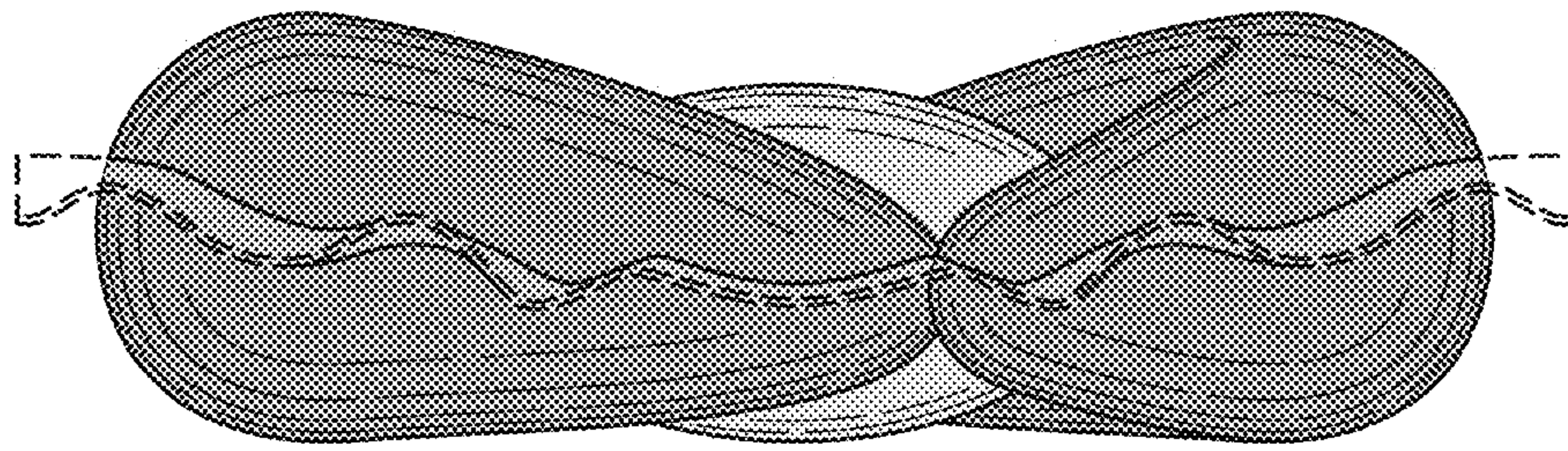


FIG. 5

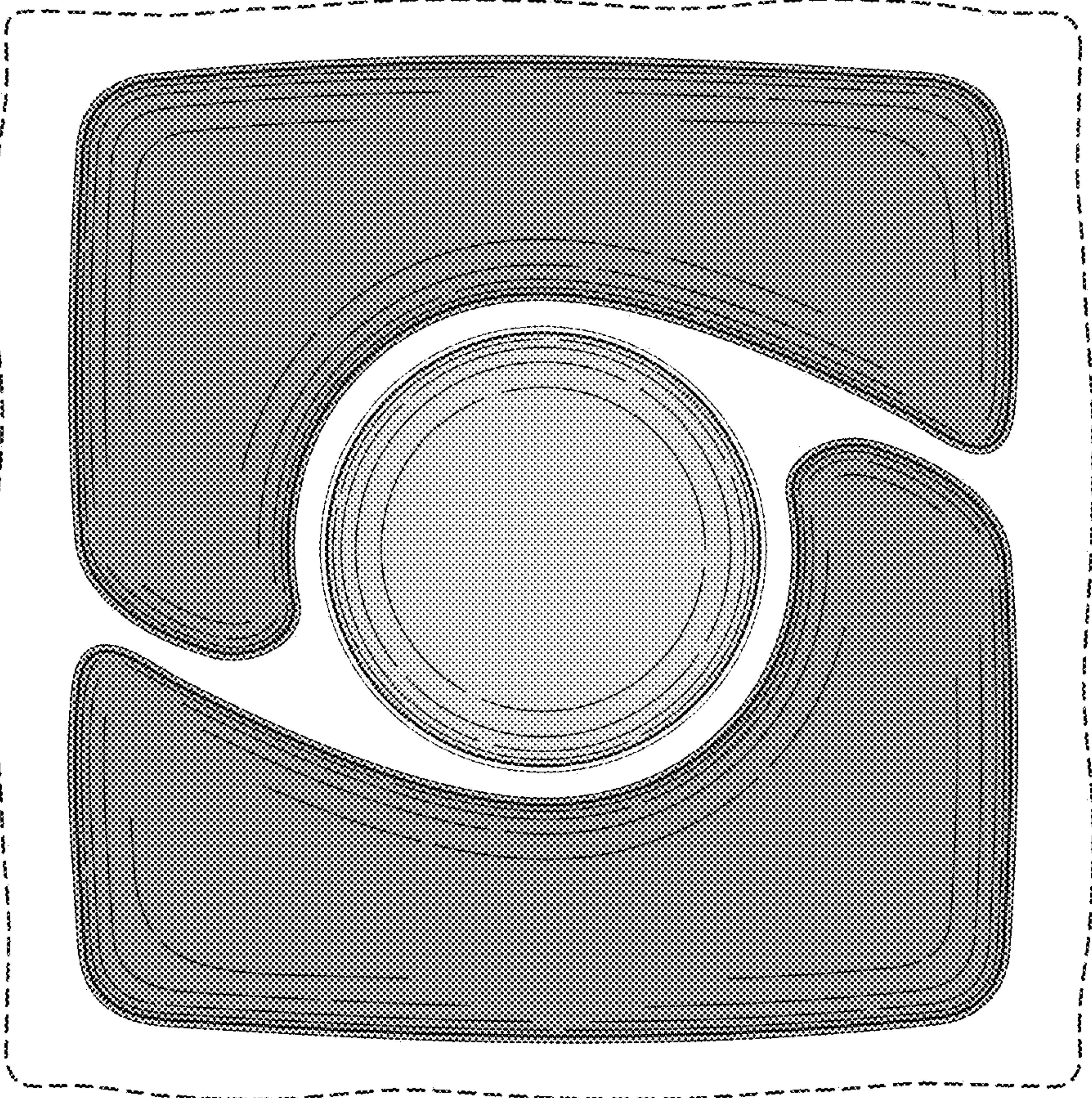


FIG. 6



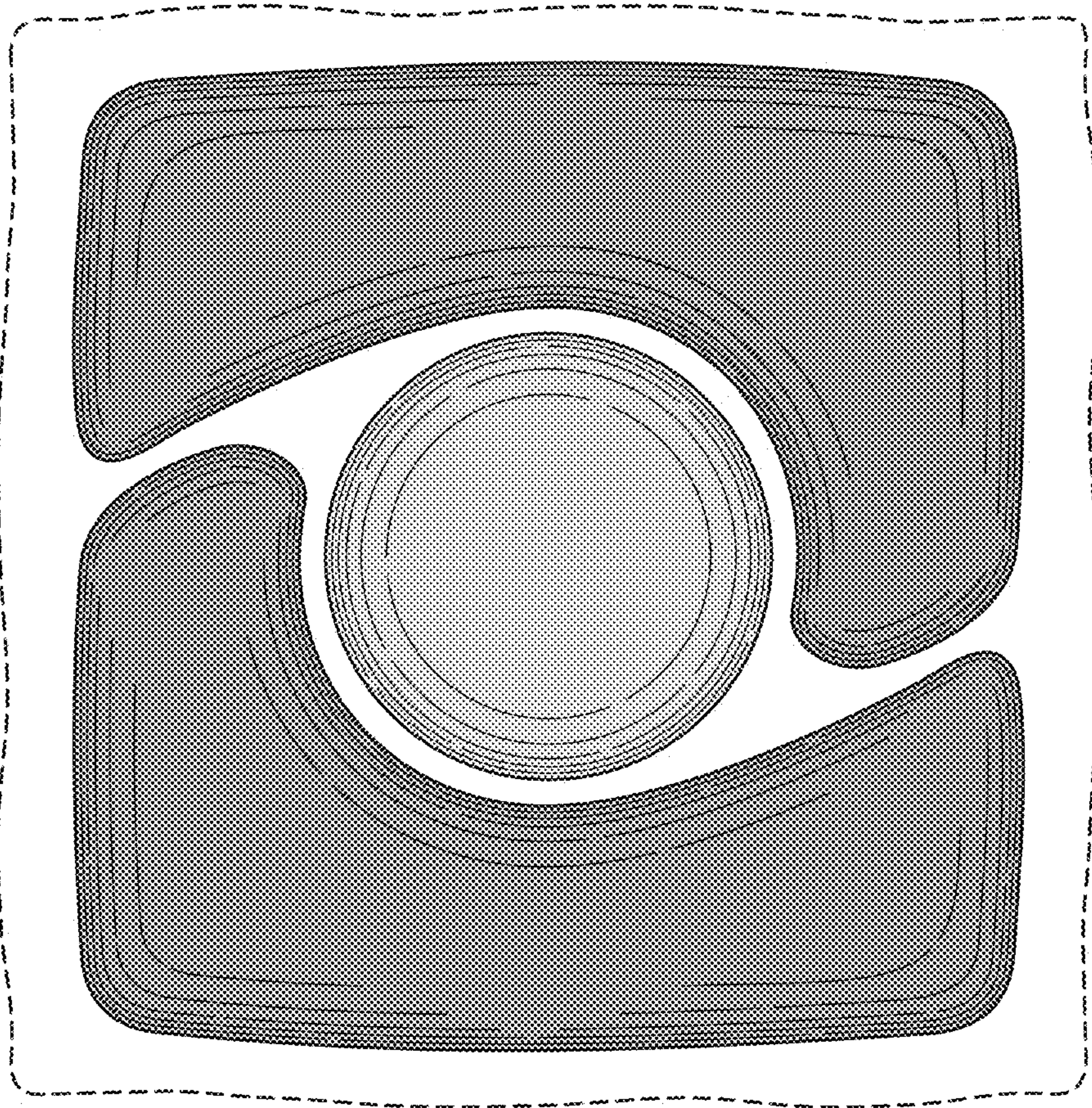


FIG. 7