



US00D953876S

(12) **United States Design Patent**
Hishmeh

(10) **Patent No.:** **US D953,876 S**
(45) **Date of Patent:** **** Jun. 7, 2022**

- (54) **BAG**
- (71) Applicant: **Oday Hishmeh**, Queen Creek, AZ (US)
- (72) Inventor: **Oday Hishmeh**, Queen Creek, AZ (US)
- (**) Term: **15 Years**
- (21) Appl. No.: **29/749,082**
- (22) Filed: **Sep. 2, 2020**
- (51) **LOC (13) Cl.** **09-05**
- (52) **U.S. Cl.**
USPC **D9/703**
- (58) **Field of Classification Search**
USPC D9/702-714, 720-722, 414, 434-435,
D9/696, 716, 771, 447, 516-517,
D9/738-747, 544, 520-521; D24/118,
D24/207, 108; 383/6, 9, 22, 96, 61.1,
383/80-81, 104, 901, 63, 203, 107,
383/119-120, 123, 61.2, 44; 220/675,
220/495.03; 215/381-385, 400, 328, 316;
206/484; D3/202; 428/34.3; 222/92,
222/215, 95, 107; 604/408, 403, 415
CPC A47K 10/42; B65D 33/00; B65D 33/06;
B65D 33/065; B65D 33/14; B65D
33/1683; B65D 33/12; B65D 33/04;
B65D 33/02; B65D 81/00; B65D 81/36;
B65D 81/30; B65D 81/365; B65D
81/366; B65D 81/368; B65D 31/00;
B65D 31/04; B65D 31/10; B65D 5/42;
B65D 5/4208; B65D 5/75; B65D
2203/02; B65D 2203/00; A61J 1/10
See application file for complete search history.

- D796,967 S * 9/2017 Abang, Jr. D9/703
- D801,826 S * 11/2017 O'Connor D9/649
- D833,299 S * 11/2018 Han D9/707
- D873,674 S * 1/2020 Yu D9/709
- D918,735 S * 5/2021 Liu D9/707

* cited by examiner

Primary Examiner — Abraham Bahta
(74) *Attorney, Agent, or Firm* — Fulwider Patton LLP

(57) **CLAIM**

The ornamental design for a bag, as shown and described.

DESCRIPTION

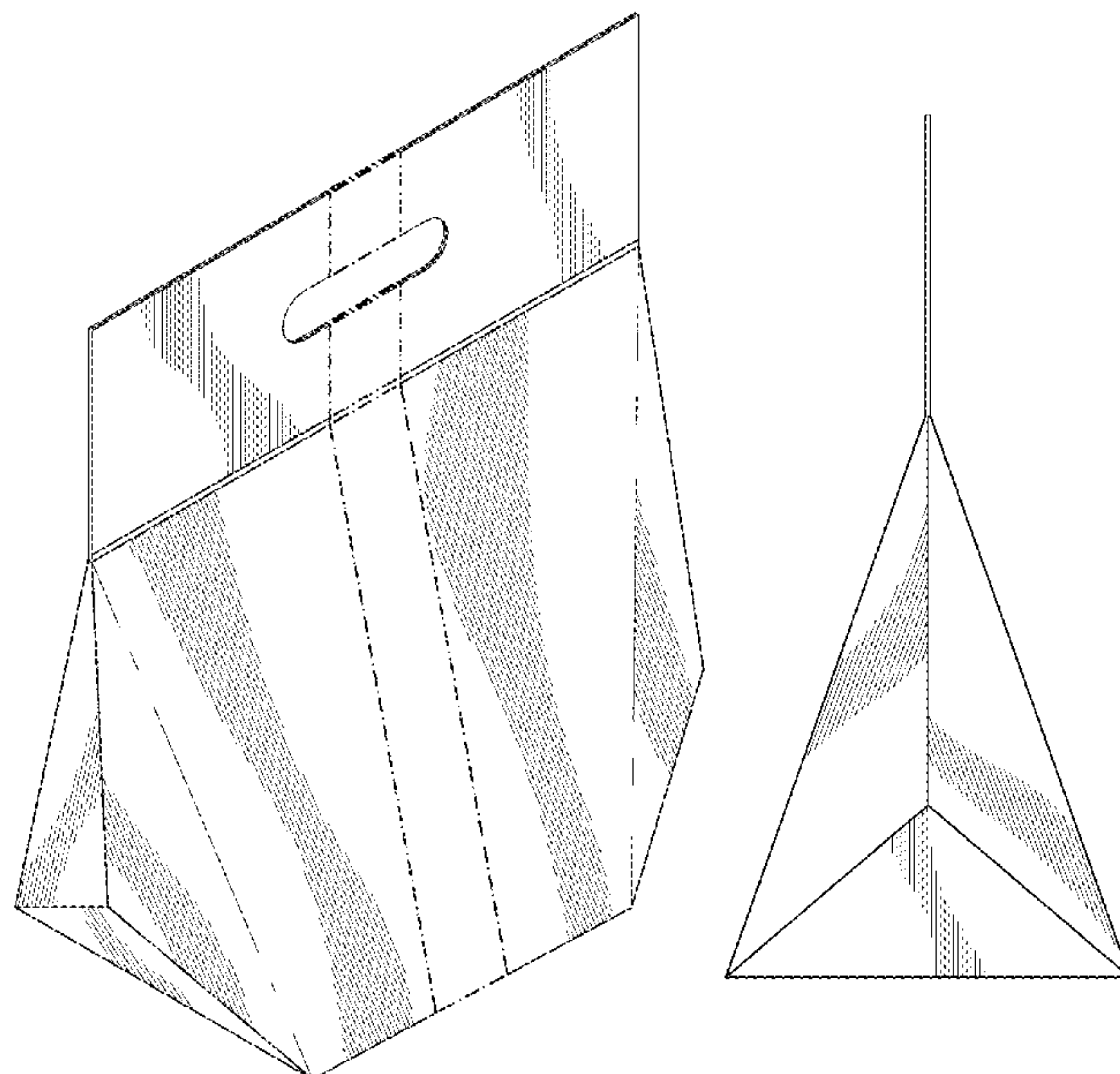
FIG. 1 is a top elevated perspective view of a bag showing my new design;
 FIG. 2 is a front view thereof;
 FIG. 3 is a rear view thereof;
 FIG. 4 is a left side view thereof;
 FIG. 5 is a right side view thereof;
 FIG. 6 is a top view thereof; and
 FIG. 7 is a bottom view thereof.
 FIG. 8 is a top an elevated, perspective view of a second embodiment;
 FIG. 9 is a front view thereof;
 FIG. 10 is rear side view thereof;
 FIG. 11 is left side view thereof;
 FIG. 12 is right side view thereof;
 FIG. 13 is a top view thereof; and,
 FIG. 14 is a bottom view thereof.
 The dash-dot-dash lines in the drawing showing a break-away illustrate that the bag has no specific width and length.

(56) **References Cited**

U.S. PATENT DOCUMENTS

- D784,824 S * 4/2017 Ross D9/705
- D796,342 S * 9/2017 Ross D9/705

1 Claim, 10 Drawing Sheets



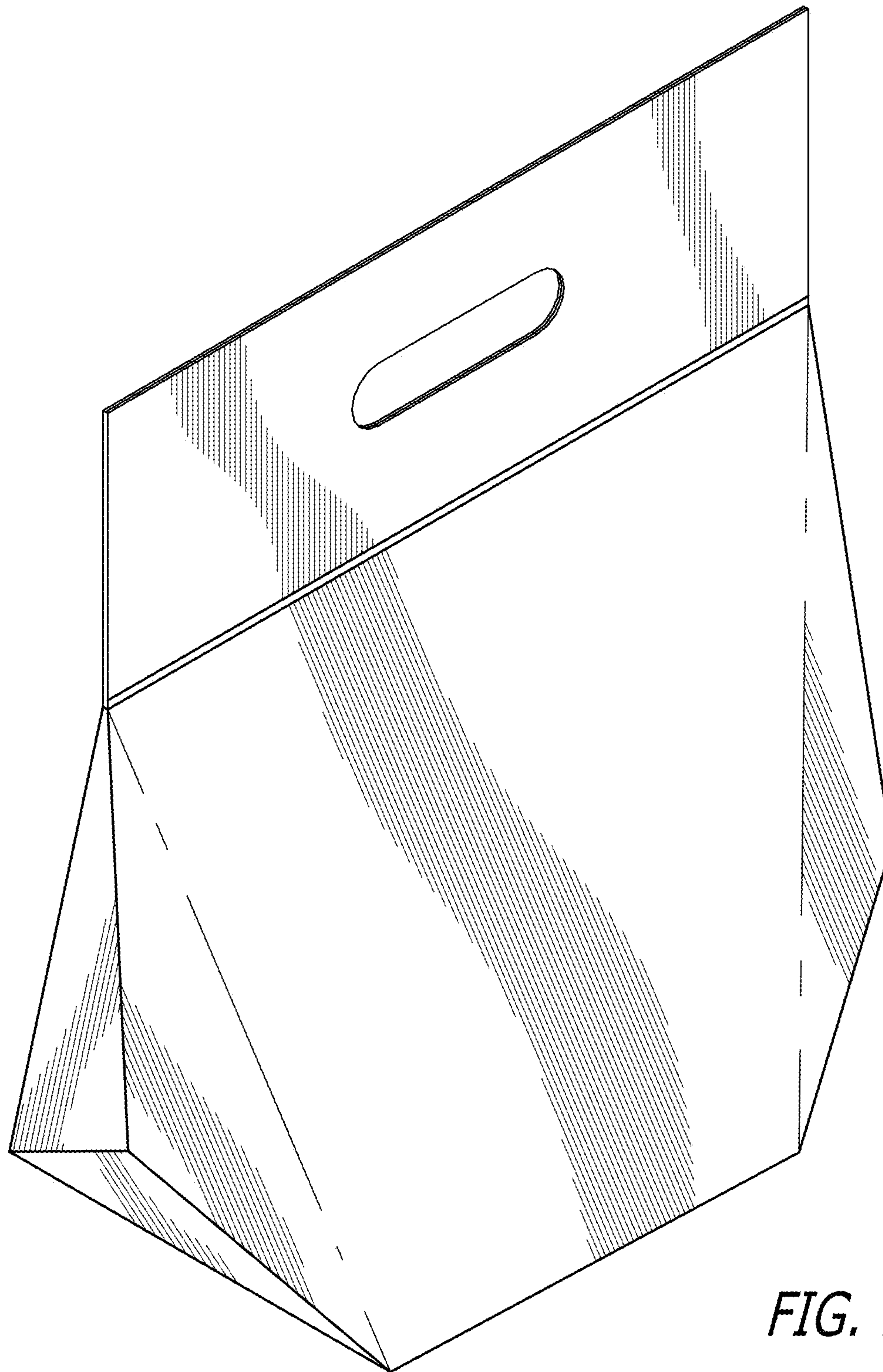


FIG. 1

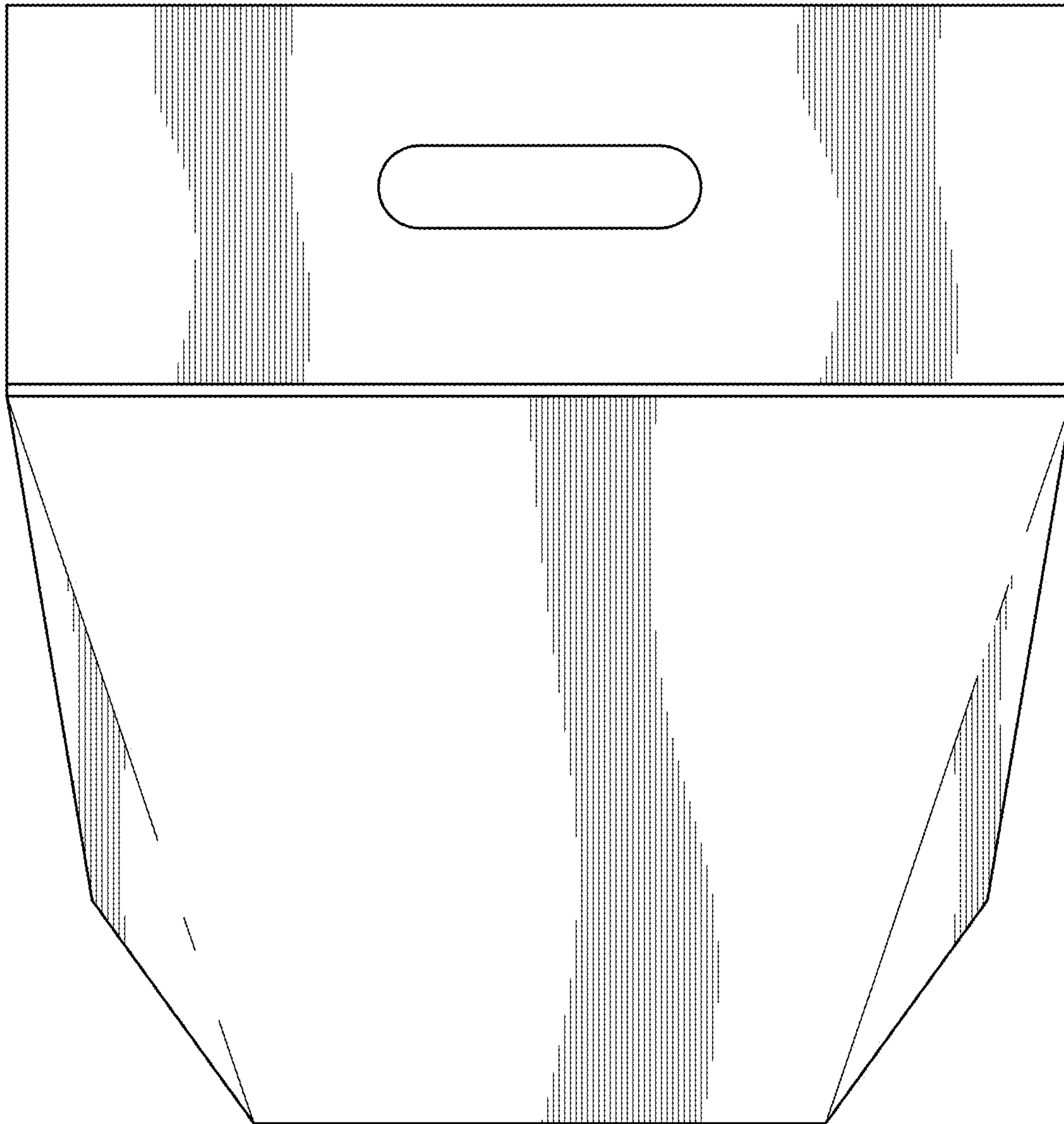


FIG. 2

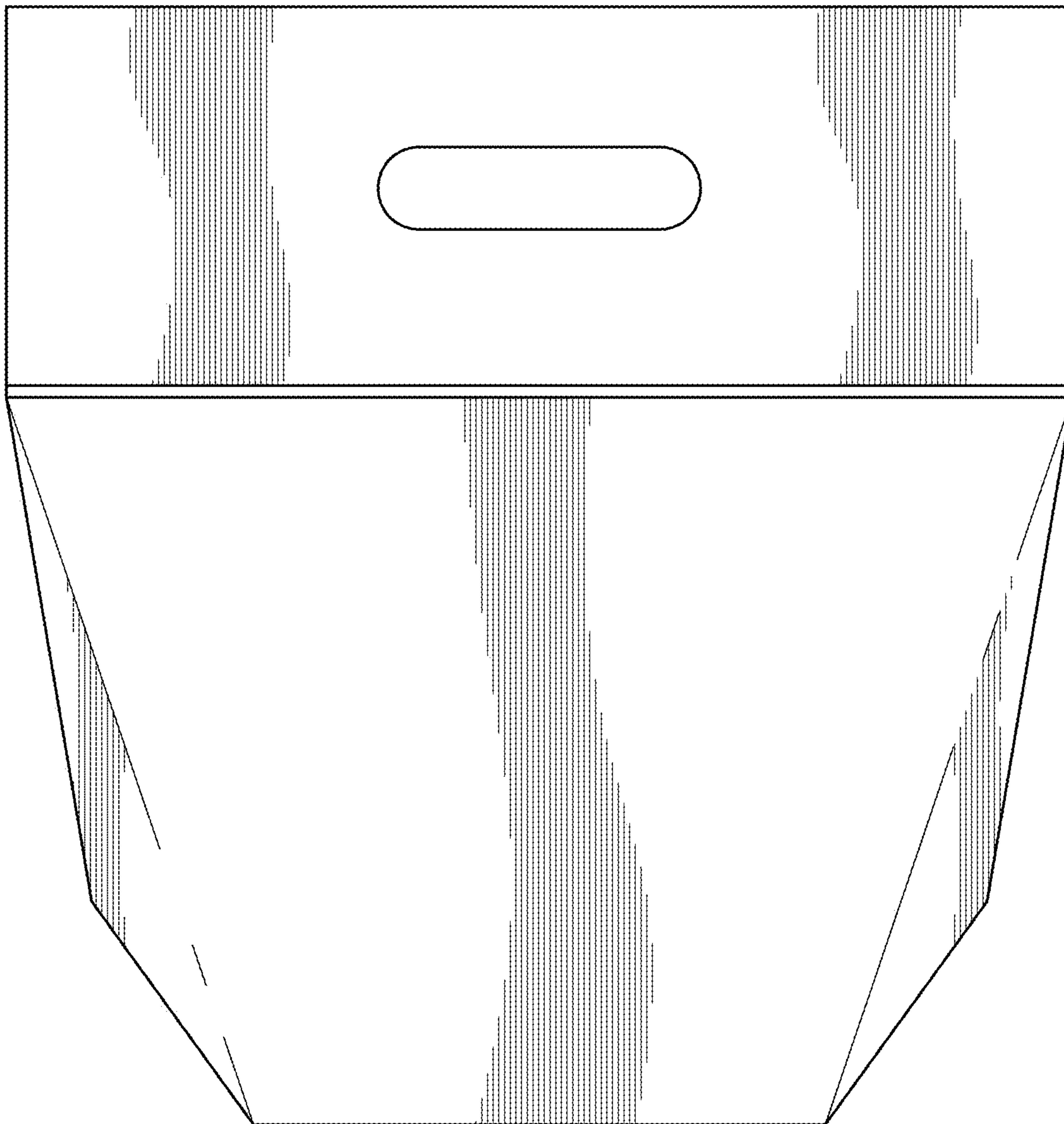


FIG. 3

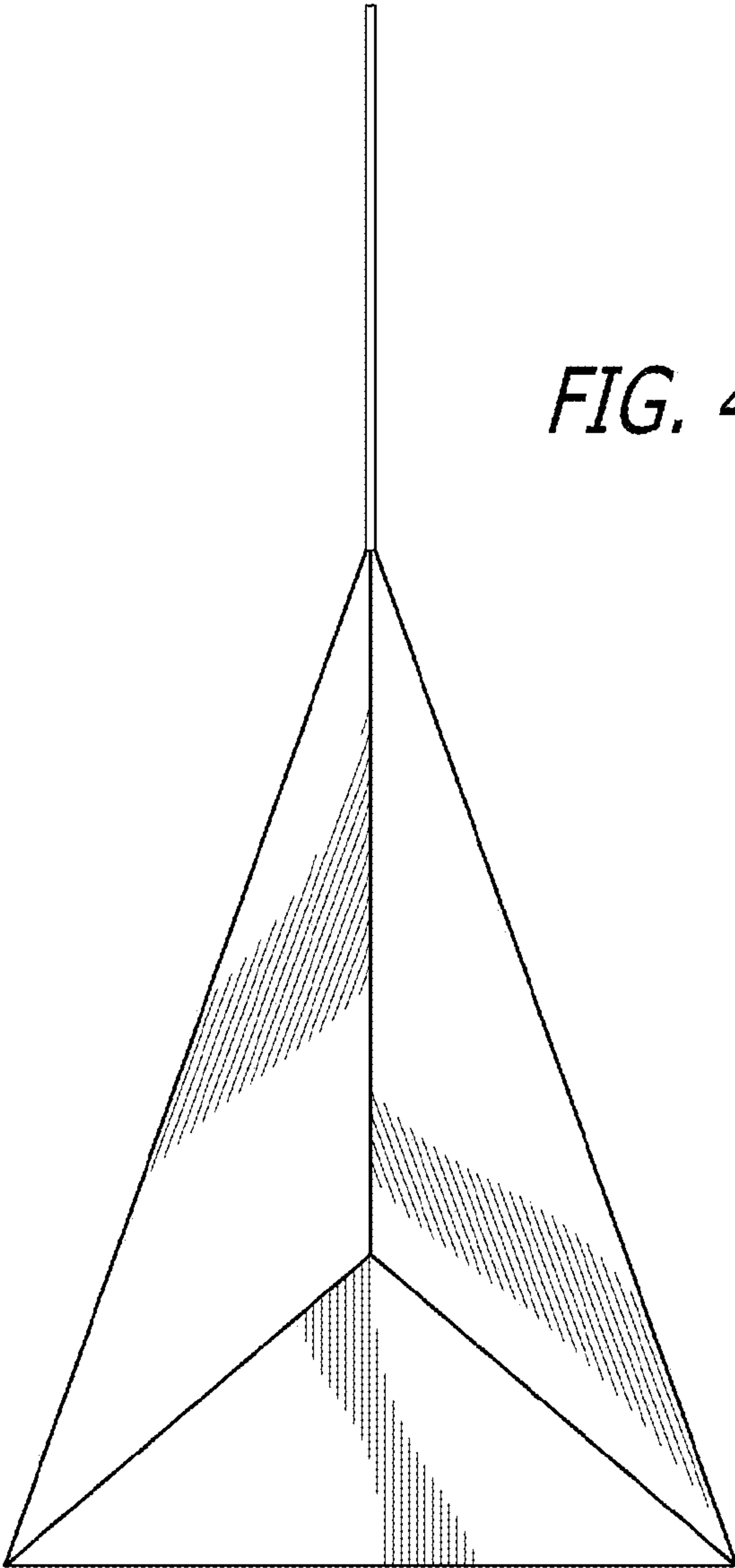


FIG. 4

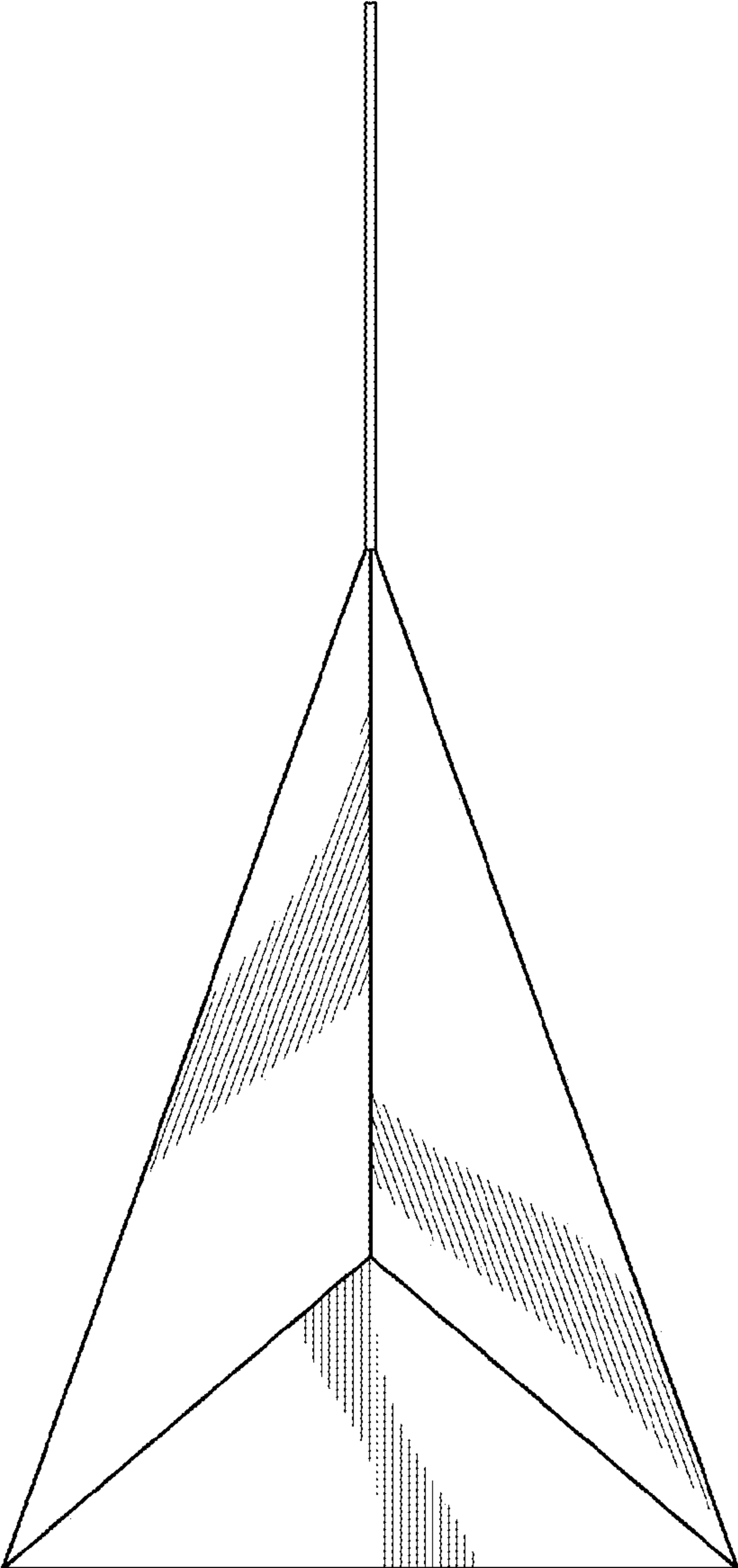


FIG. 5

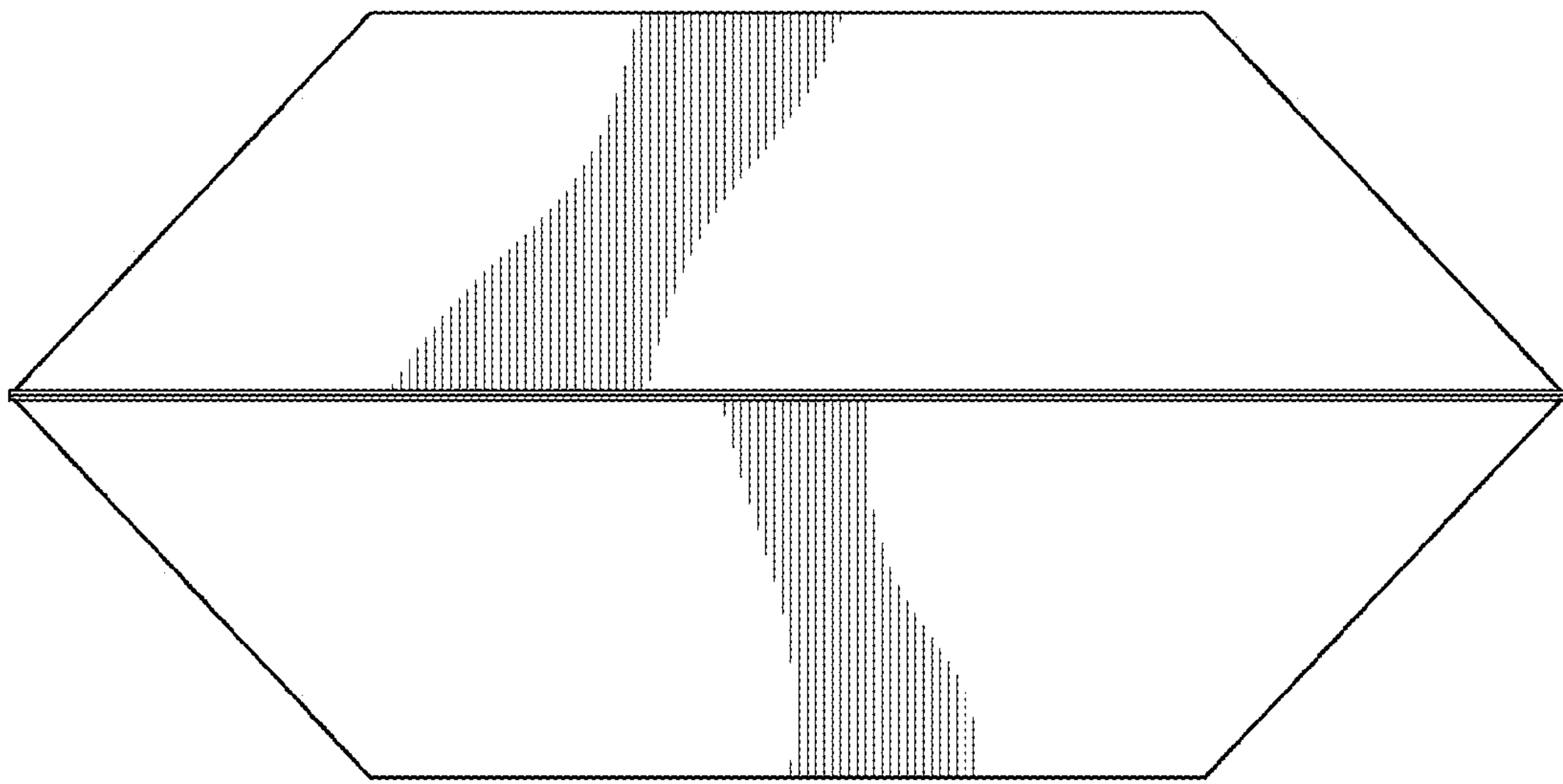


FIG. 6

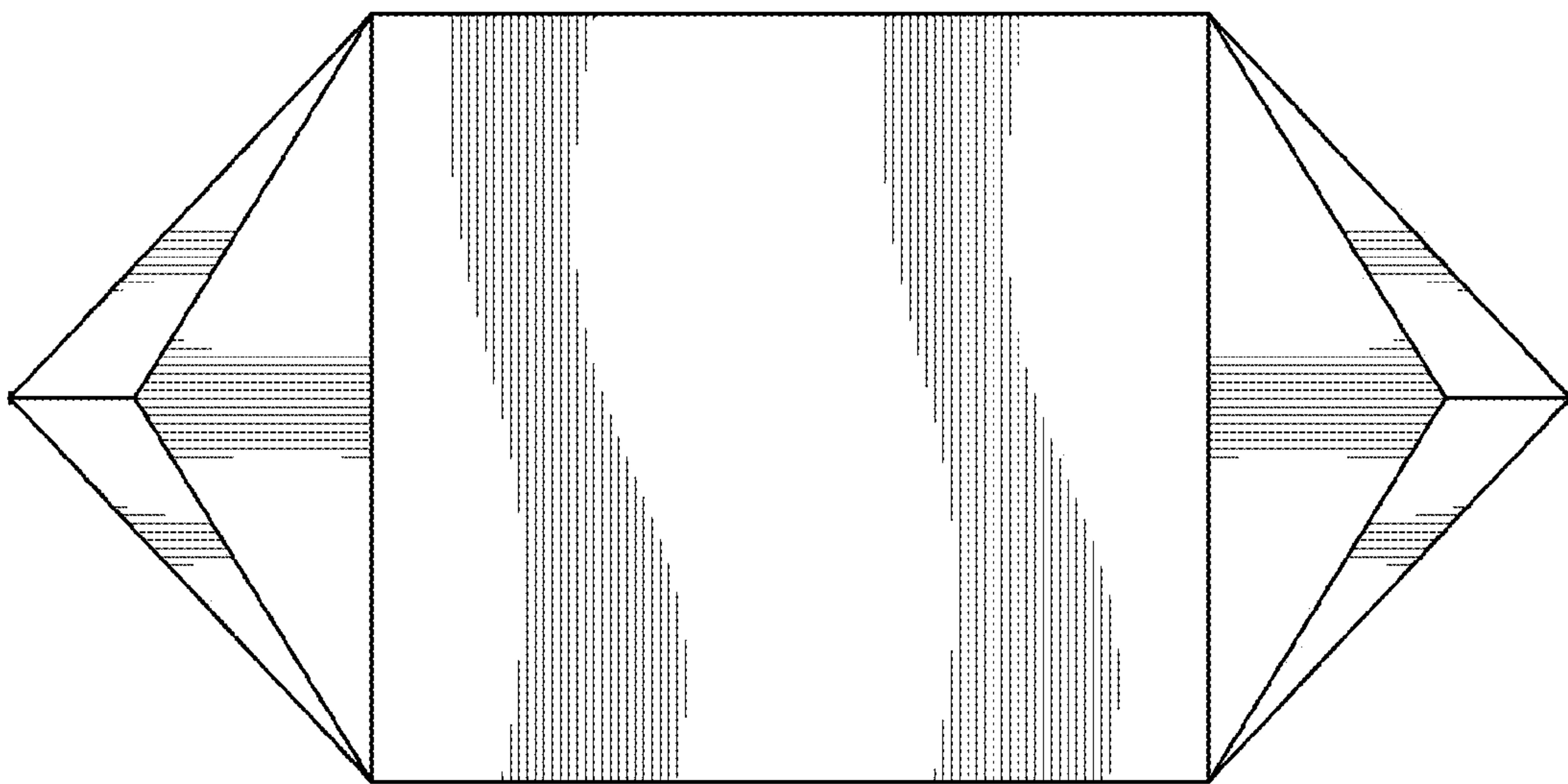


FIG. 7

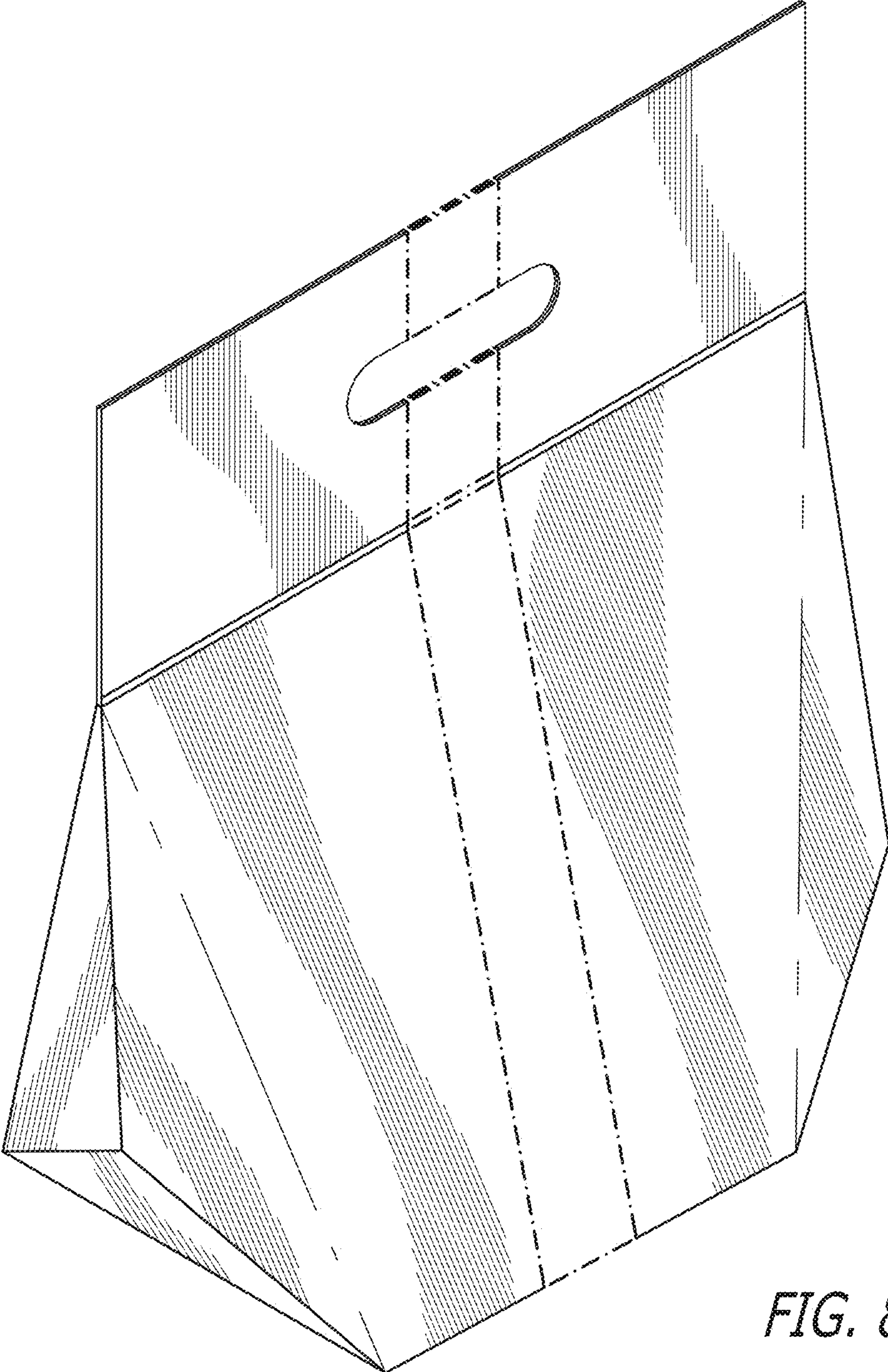


FIG. 8

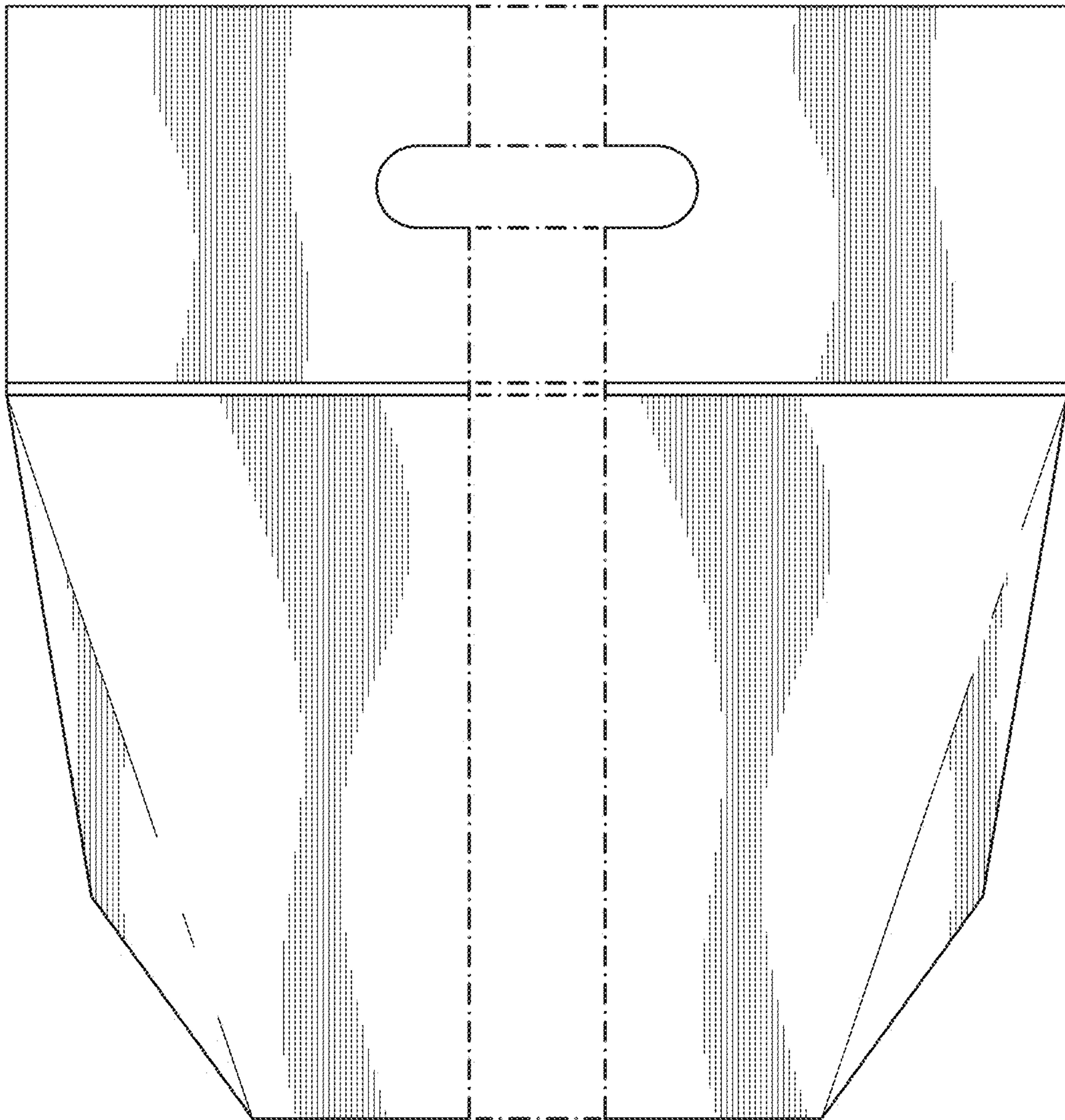


FIG. 9

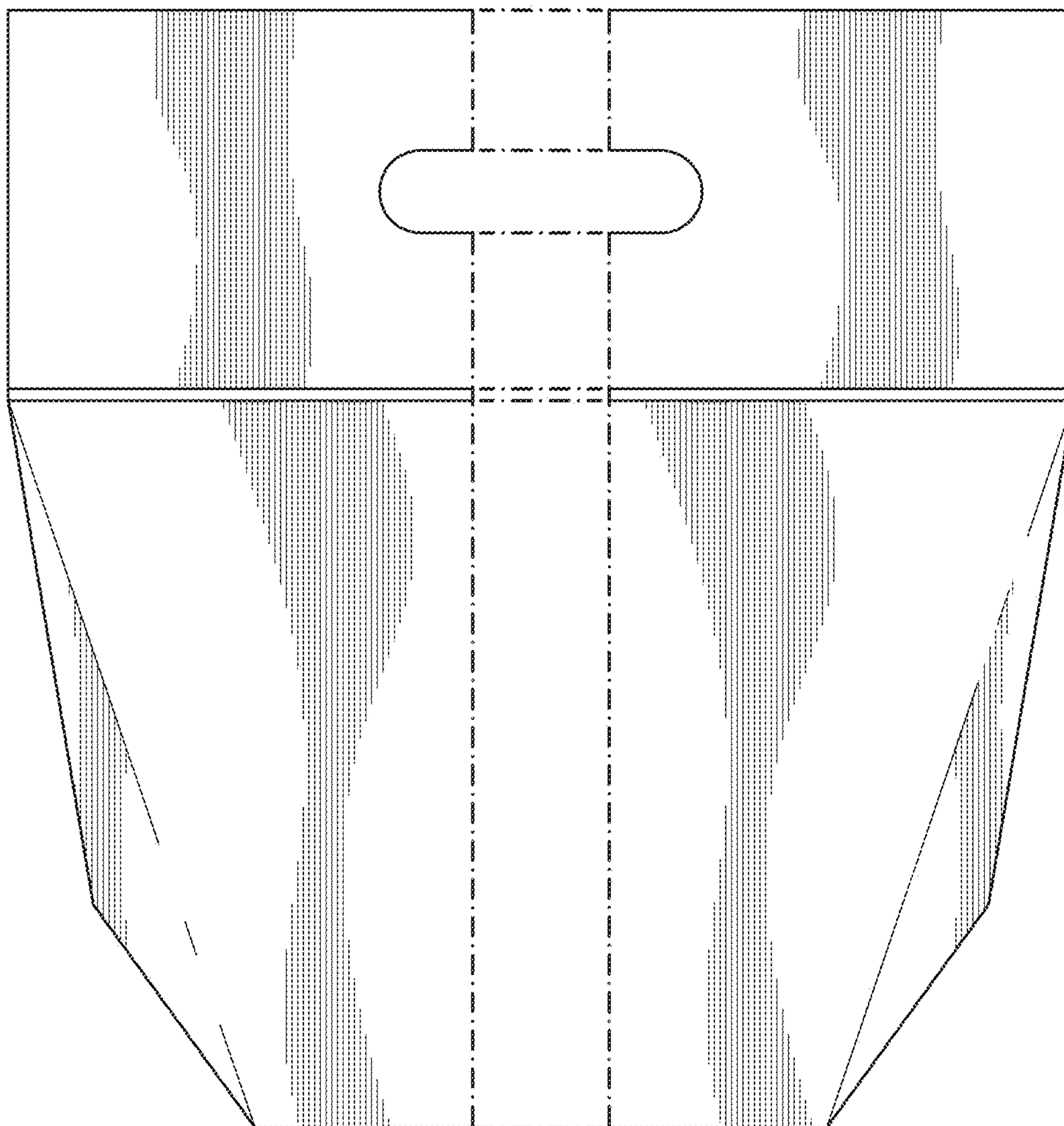


FIG. 10

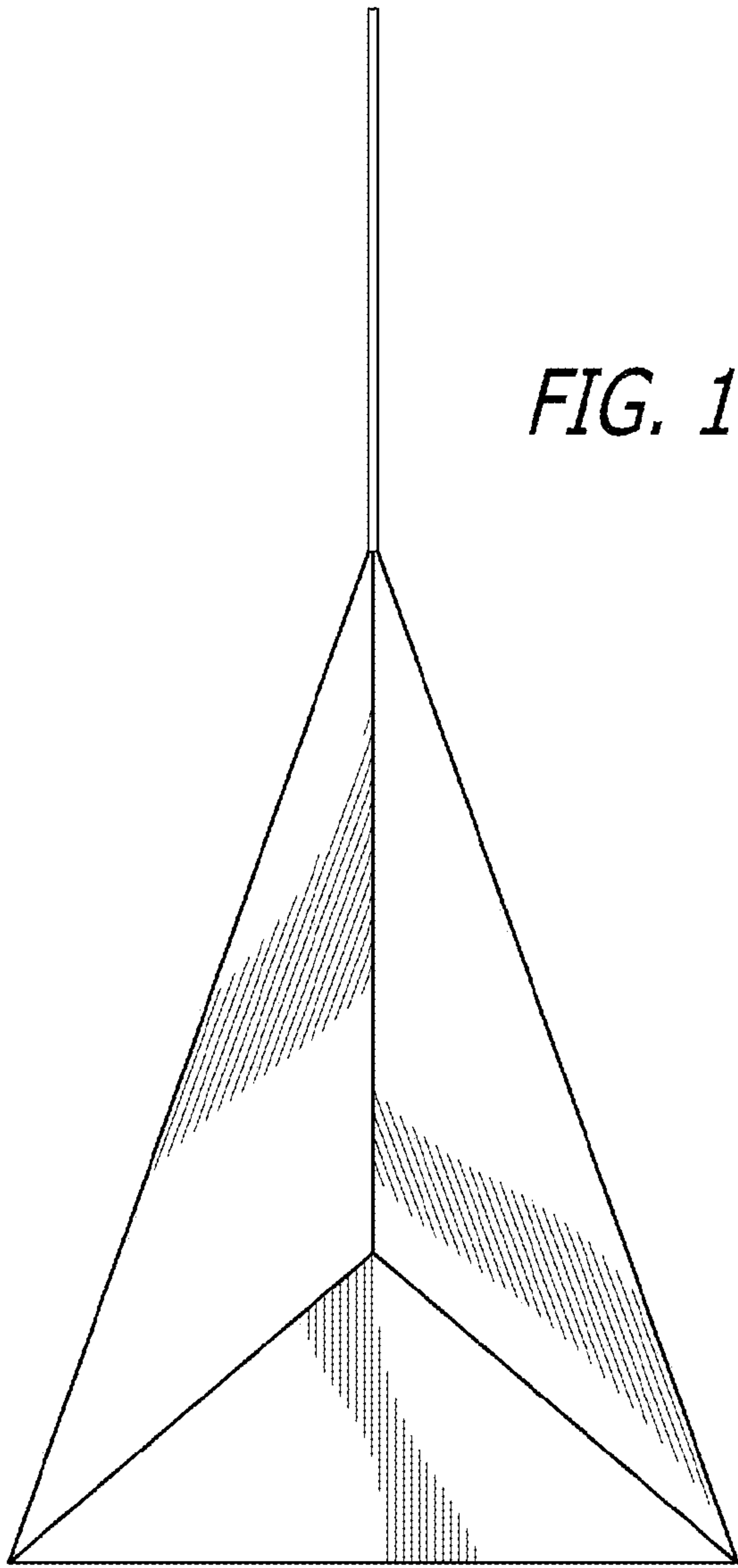


FIG. 11

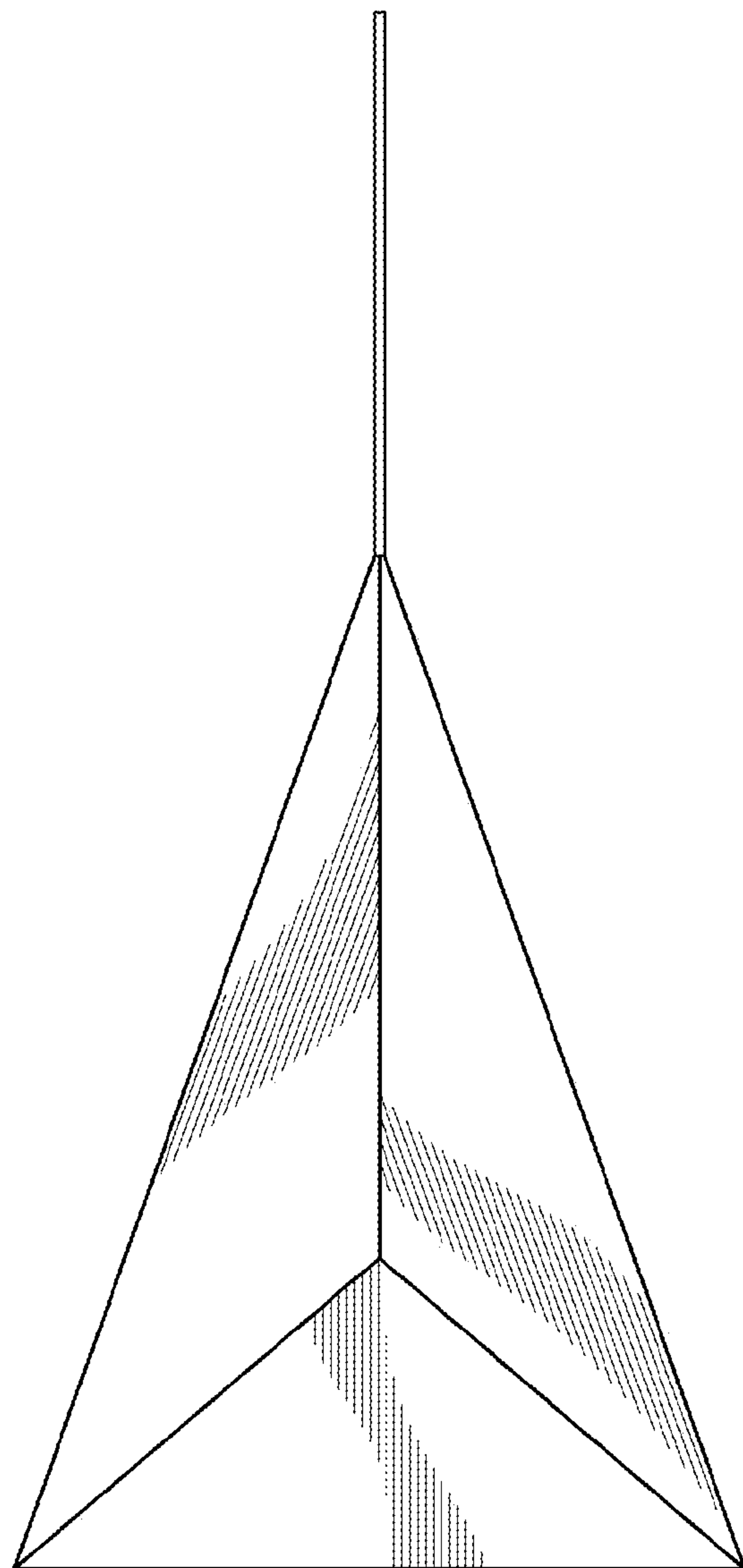


FIG. 12

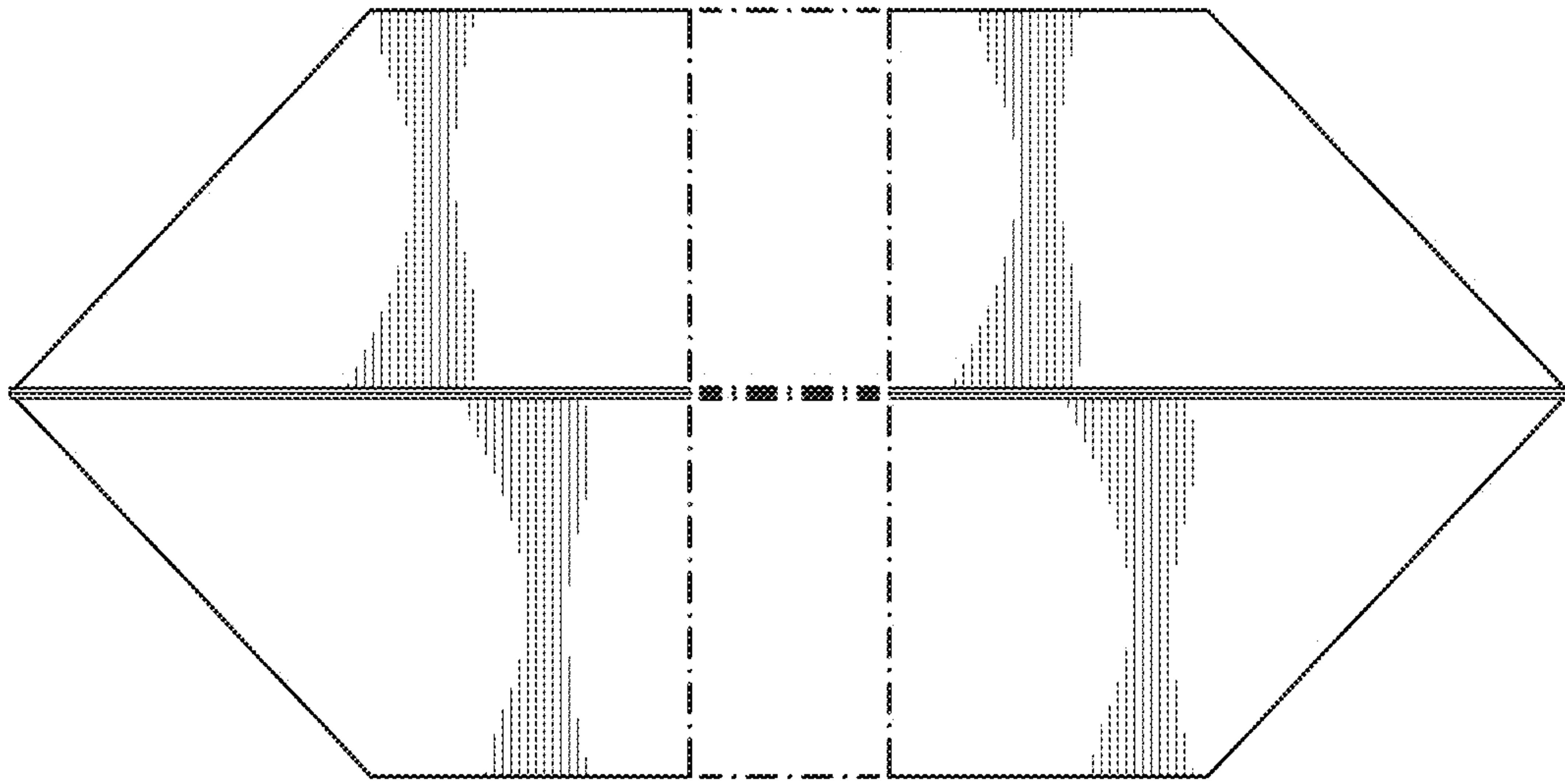


FIG. 13

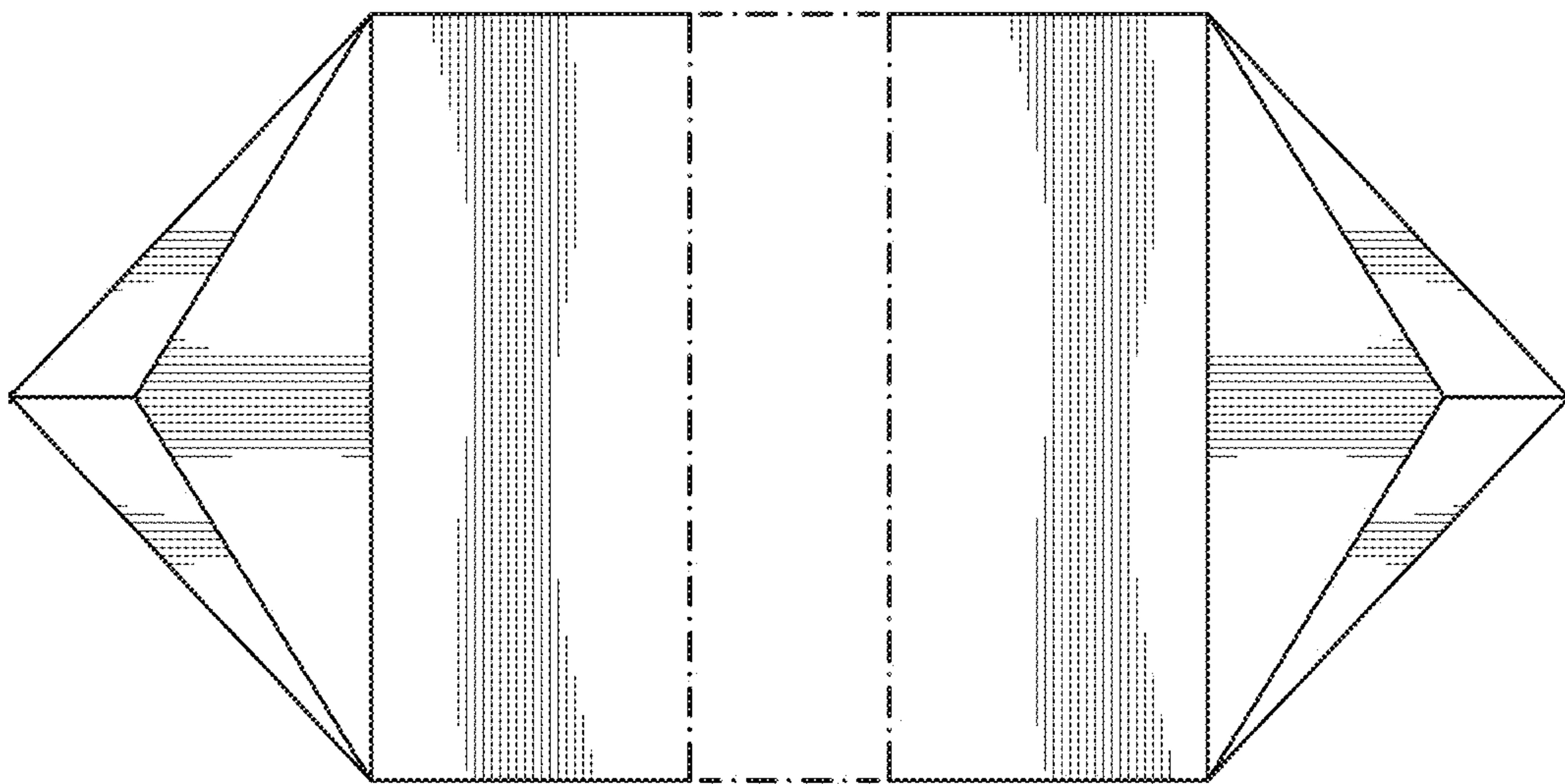


FIG. 14