



US00D953875S

(12) **United States Design Patent** (10) **Patent No.:** **US D953,875 S**
Losovski et al. (45) **Date of Patent:** **** Jun. 7, 2022**

(54) **ELONGATED CONTAINER**

81/365; B65D 81/366; B65D 81/368;
B65D 2203/00; B65D 2203/02

(71) Applicant: **Combie Engineering, LTD**, Ramat Gan (IL)

See application file for complete search history.

(72) Inventors: **Alexander Losovski**, Ramat Gan (IL);
Elad Shalom, Tel Aviv (IL)

(56) **References Cited**

U.S. PATENT DOCUMENTS

(73) Assignee: **Combie Engineering LTD.**, Ramat Gan (IL)

2,876,775	A *	3/1959	Barr, Sr.	A61B 5/15003 600/577
3,017,050	A *	1/1962	Barr, Sr.	A61B 5/150213 215/247
D618,362	S *	6/2010	Giraud	D24/224
D732,684	S *	6/2015	Ooi	D24/224
D862,246	S *	10/2019	Basak-Smith	D9/711
D899,268	S *	10/2020	Hwang	D9/711

(**) Term: **15 Years**

* cited by examiner

(21) Appl. No.: **29/720,414**

(22) Filed: **Jan. 13, 2020**

Primary Examiner — Abraham Bahta

(51) **LOC (13) Cl.** **09-05**

(74) *Attorney, Agent, or Firm* — Guy Levi; The IP Law Firm of Guy Levi, LLC

(52) **U.S. Cl.**
USPC **D9/696**

(57) **CLAIM**

(58) **Field of Classification Search**

I claim, the ornamental design for an elongated container, as shown and described herein.

USPC D9/702–714, 695–699, 435, 440, 521,
D9/454, 544, 723–724, 499, 449,
D9/727–728, 442, 447, 504; 222/92, 96,
222/107, 527–529, 215, 491, 206,
222/212–213, 251, 95, 536; 206/438,
206/822, 527; 220/DIG. 7, 669;
215/321, 382, 316, 380; 141/114–115;
D28/91.1, 76–78, 82, 88; D24/114;
D3/202, 205, 203.2, 270, 271.1–271.4;
D7/510, 514–520, 599, 601–602,
D7/612–615, 619.2, 628–629

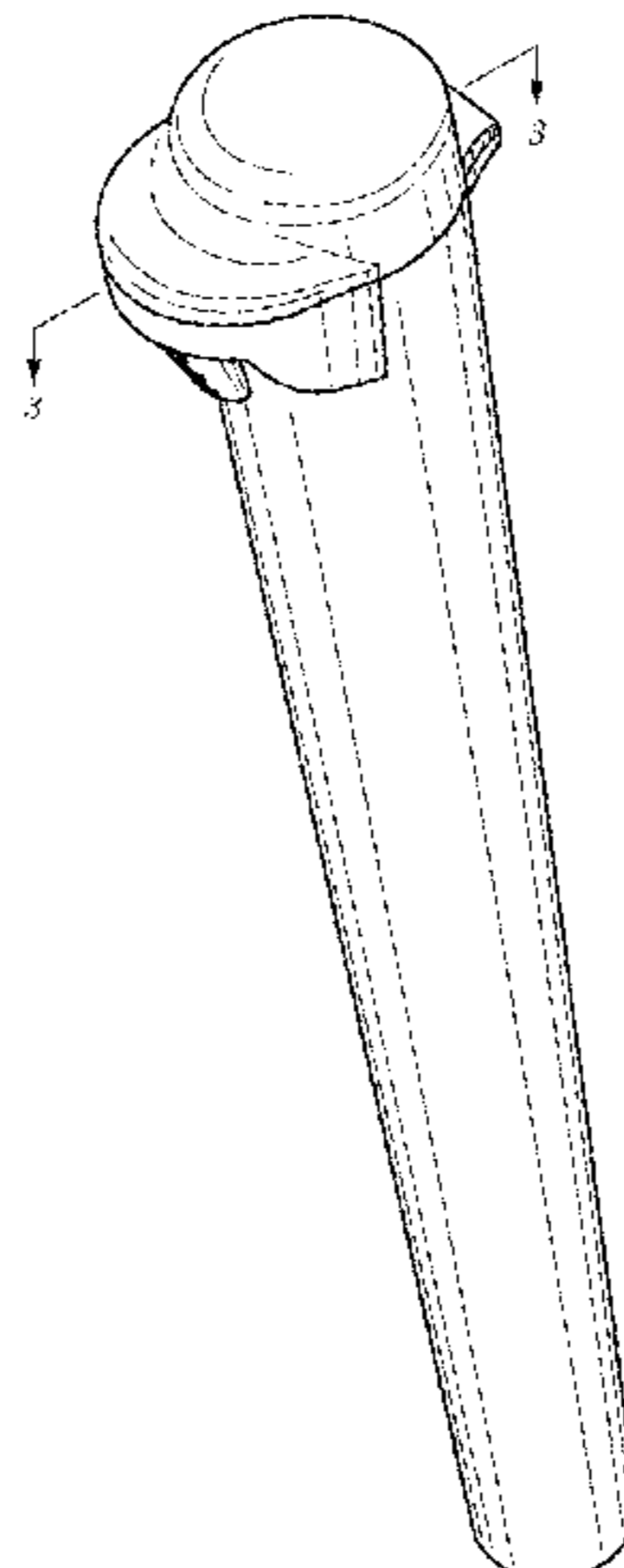
CPC B65D 35/00; B65D 35/28; B65D 35/02;
B65D 35/04; B65D 35/08; B65D 35/36;
B65D 35/38; B65D 5/00; B65D 5/001;
B65D 5/4258; B65D 1/0223; B65D 1/02;
B65D 1/10; B65D 1/46; B65D 23/00;
B65D 2585/00; B65D 81/60; B65D

DESCRIPTION

FIG. 1, shows a front, top right perspective view of the closed elongated container embodying my new design;
FIG. 2, is a front, top right perspective view of an open variation thereof;
FIG. 3, is a cross section thereof along line 3-3 of the closed elongated container of FIG. 1;
FIG. 4, is an enlarged section 4 of FIG. 3 rotated left;
FIG. 5, is a right side elevation view thereof, the left side being a mirror image thereof;
FIG. 6, is a front elevation view thereof;
FIG. 7, is a rear elevation view thereof;
FIG. 8, is top plan view thereof; and,
FIG. 9, is a bottom plan view thereof.

The surface shading on the claimed portion is provided only to indicate the character and/or any contour or curvature of the surfaces. It does not indicate color, texture, markings that

(Continued)



actually exist thereon, indicia, graphic representations, surface treatment, or any other ornamentation applied to the article.

1 Claim, 5 Drawing Sheets

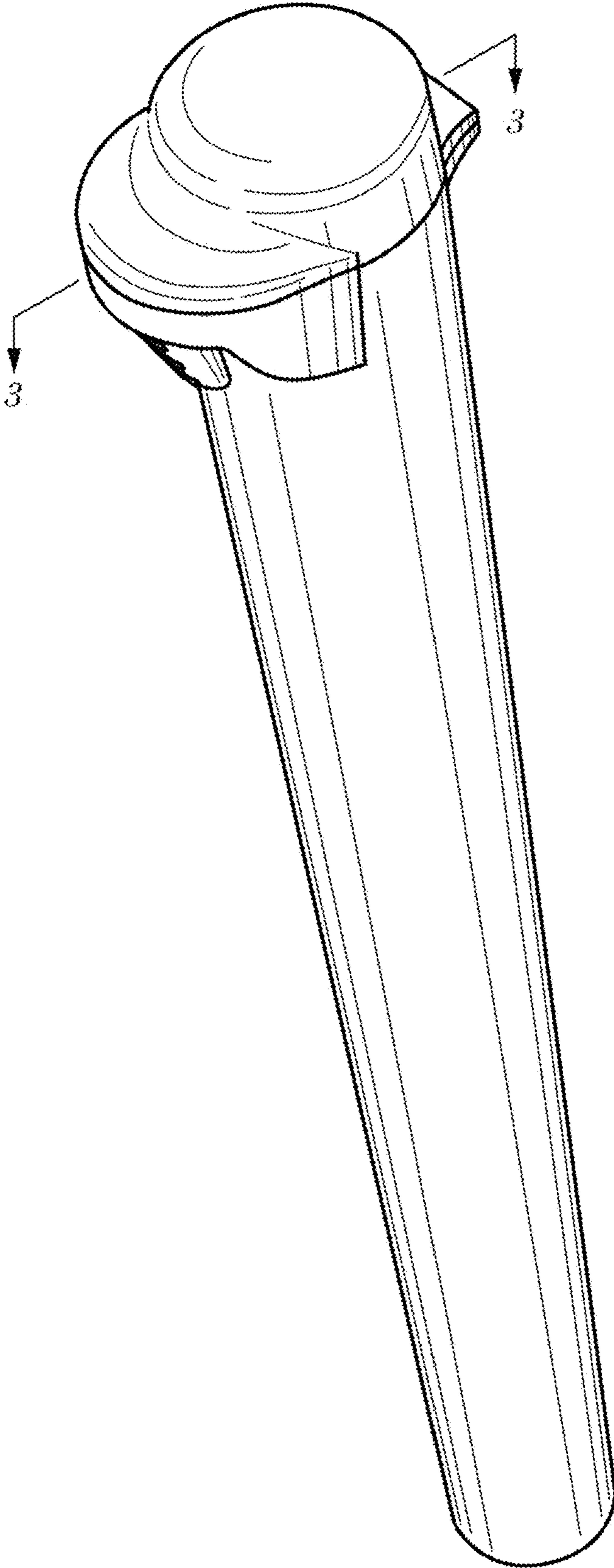


FIG. 1

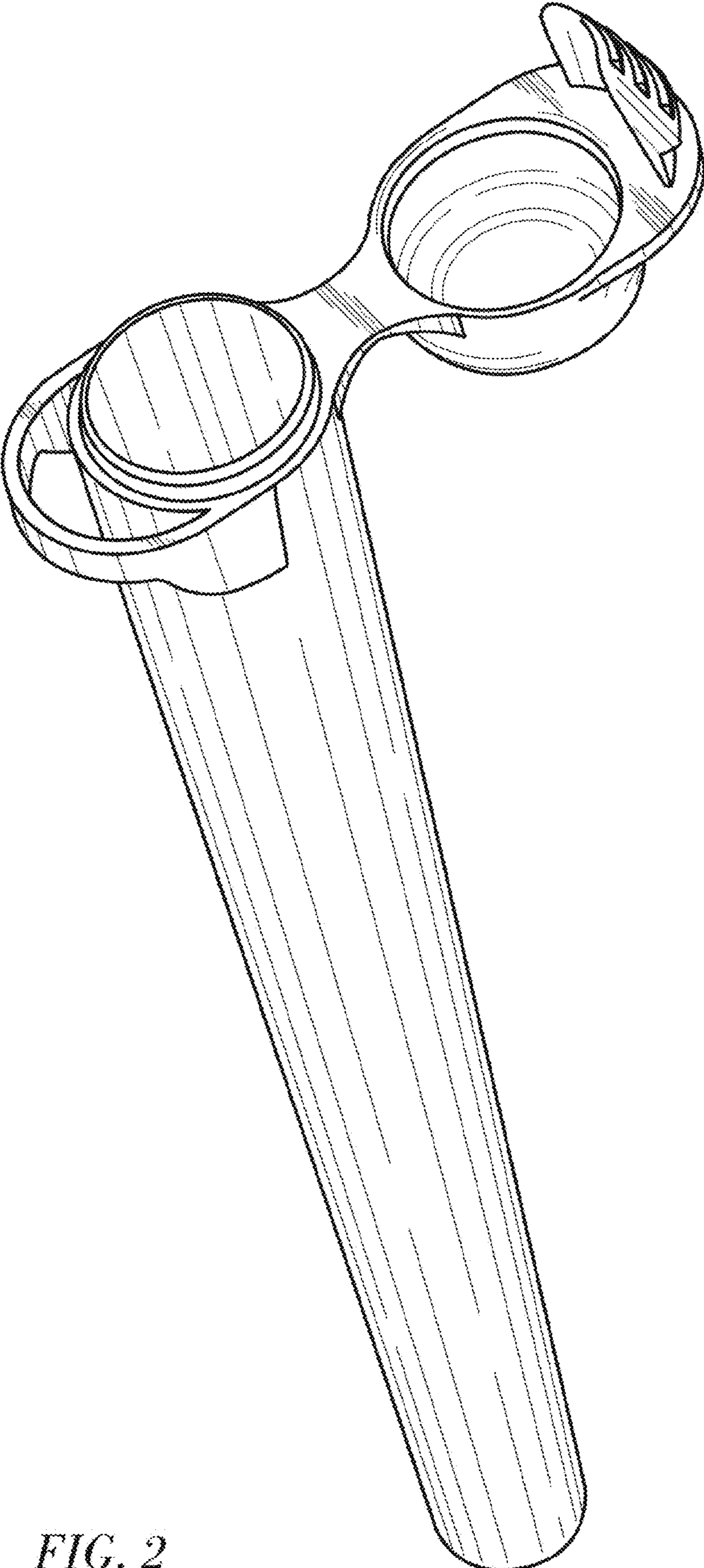


FIG. 2

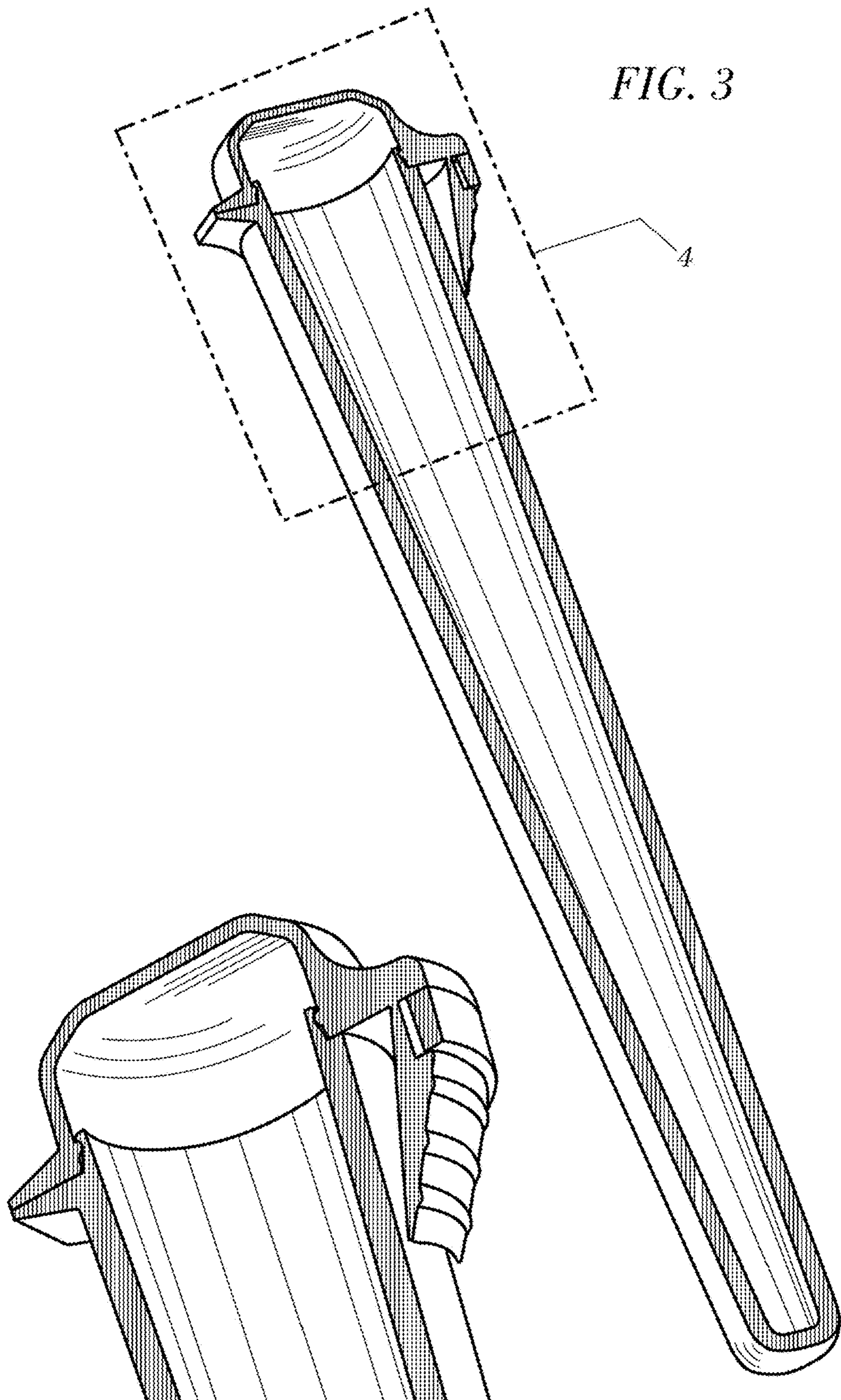


FIG. 3

FIG. 4

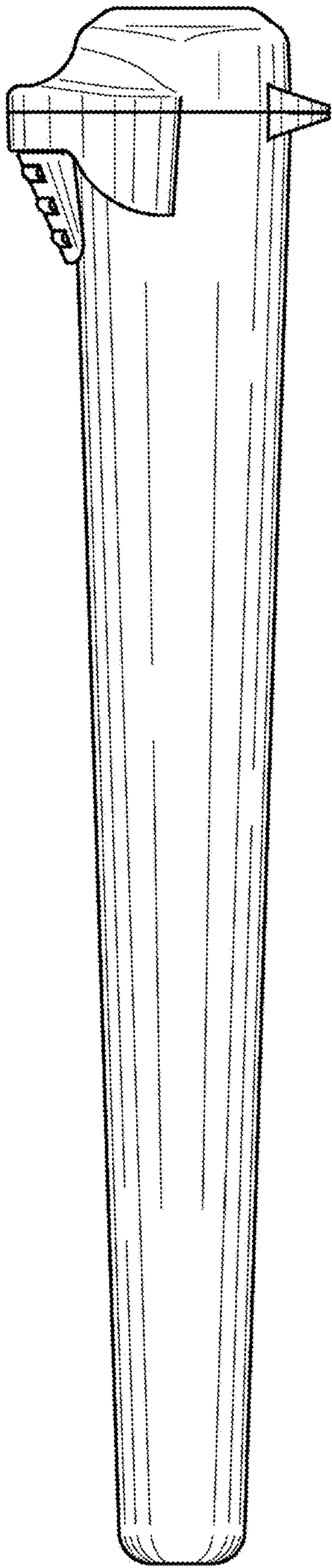


FIG. 5

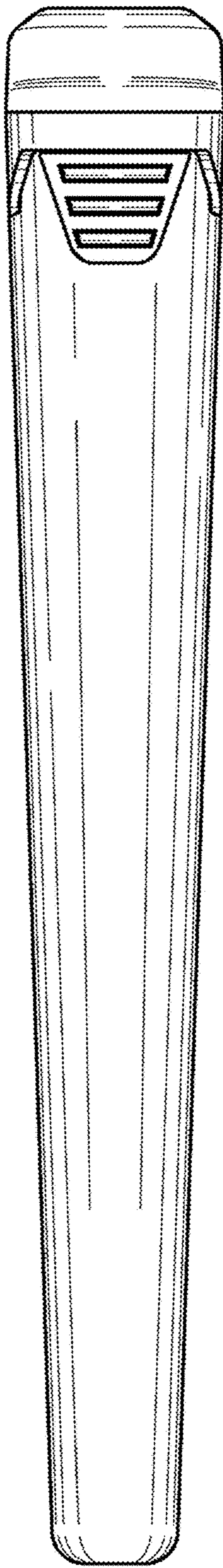


FIG. 6

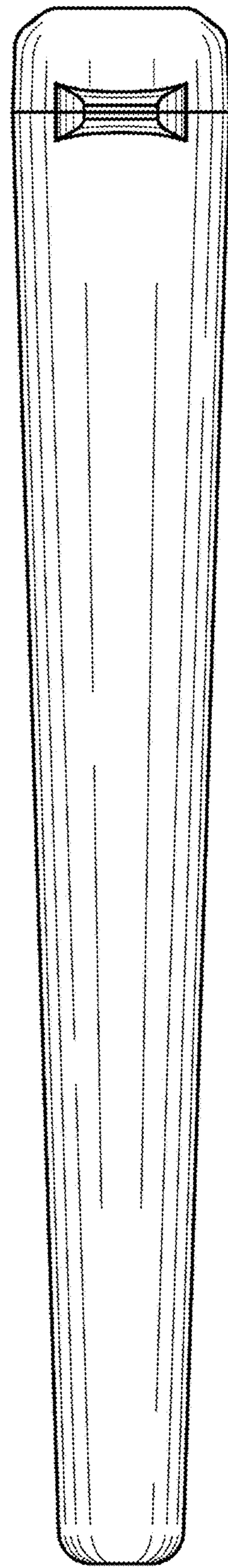


FIG. 7

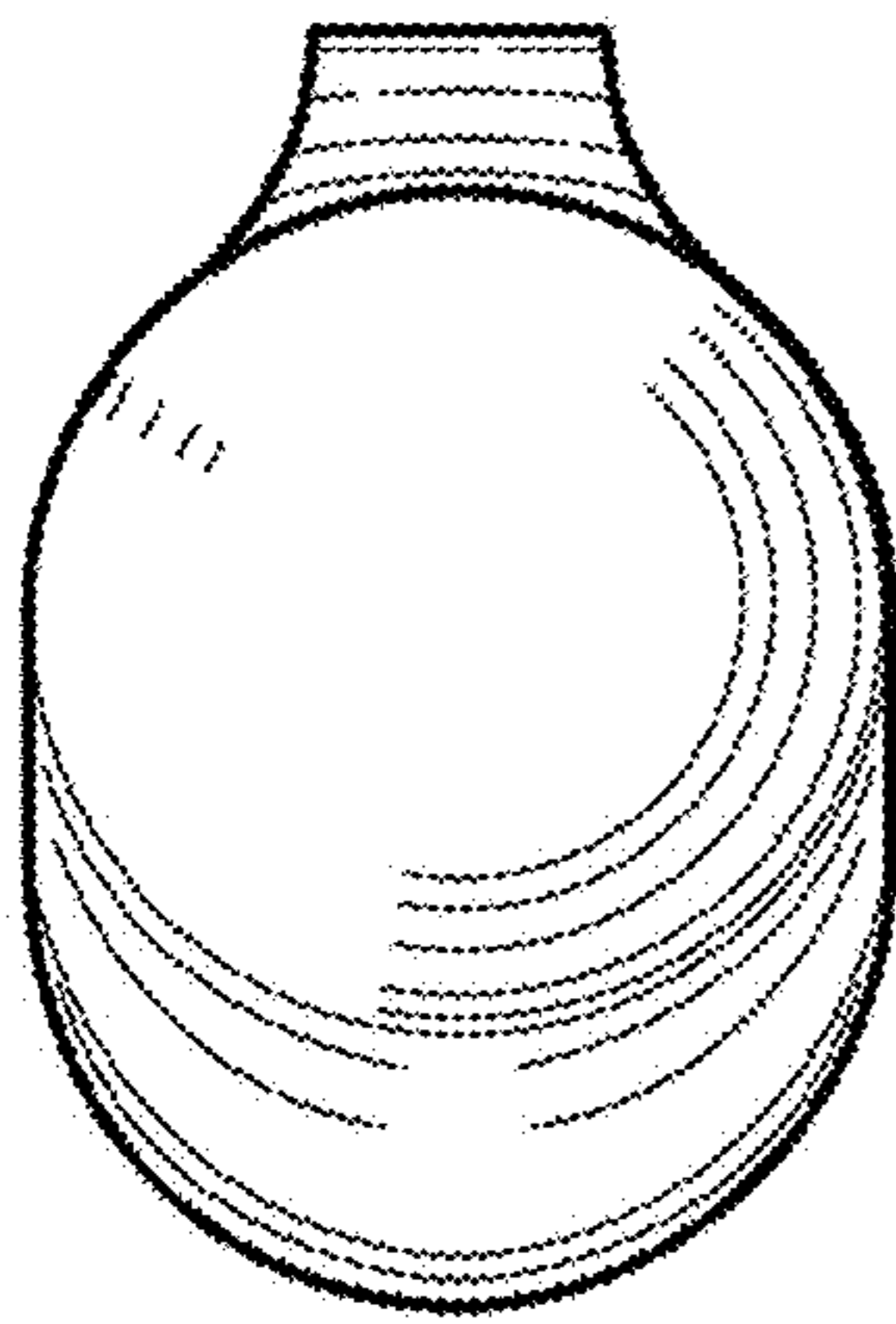


FIG. 8

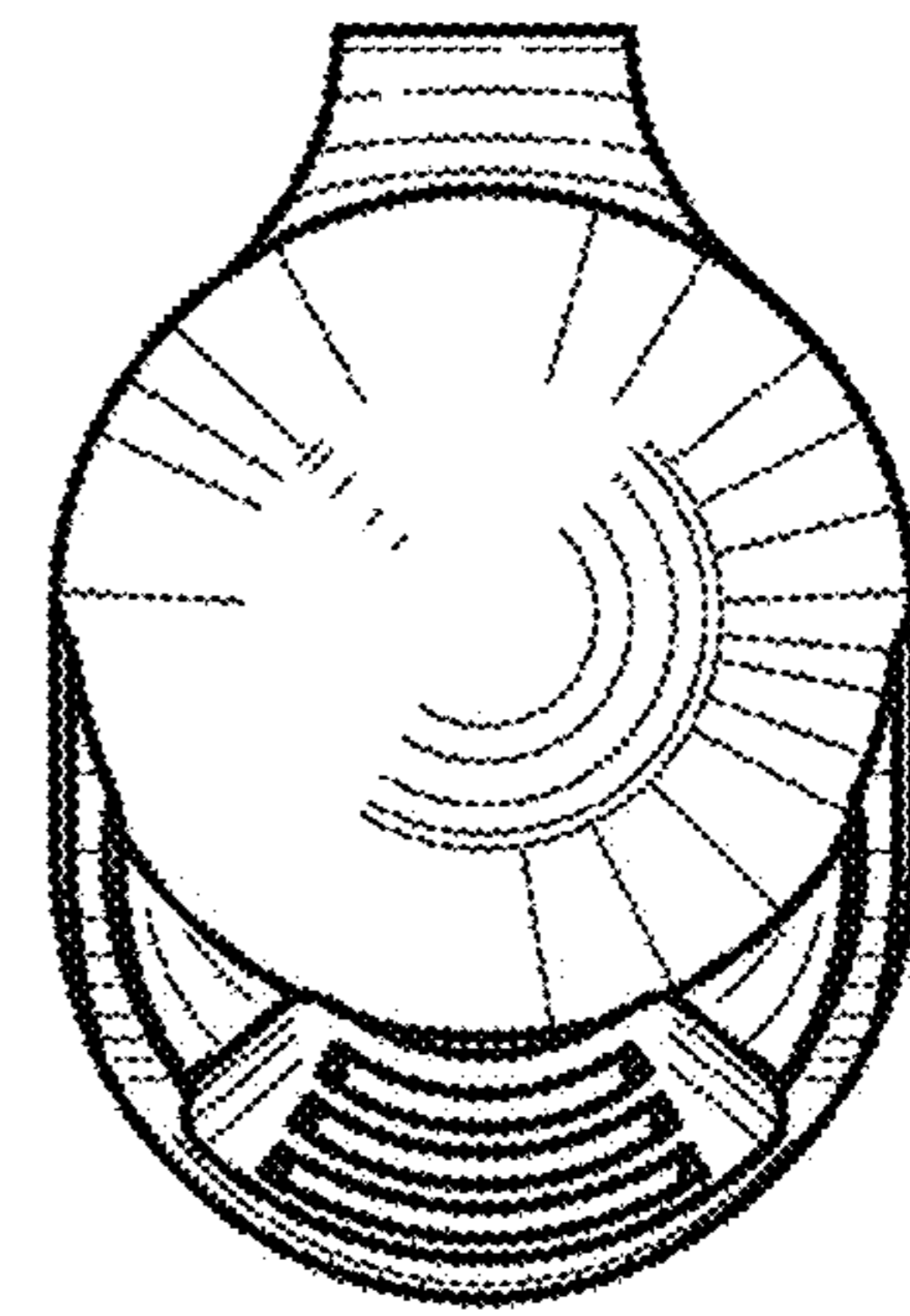


FIG. 9