



US00D953873S

(12) **United States Design Patent**
Delao

(10) **Patent No.:** **US D953,873 S**
(45) **Date of Patent:** **** Jun. 7, 2022**

(54) **SLANT-SIDED DUAL CONTAINER GIFT BOX**

D842,119 S * 3/2019 Delao D9/432
D846,377 S * 4/2019 Delao D9/414
2009/0205992 A1* 8/2009 Williams B65D 81/365
229/116.2

(71) Applicant: **Michael S. Delao**, Oak Ridge, TN (US)

(72) Inventor: **Michael S. Delao**, Oak Ridge, TN (US)

(**) Term: **15 Years**

(21) Appl. No.: **29/721,852**

(22) Filed: **Jan. 23, 2020**

(51) **LOC (13) Cl.** **09-01**

(52) **U.S. Cl.**
USPC **D9/629**; D9/414

(58) **Field of Classification Search**
USPC D9/629, 423, 414, 600, 628; D7/571,
D7/675; 229/116.2
CPC B65D 43/02; B65D 1/34; B65D 81/3813;
B65D 3/02; B65D 2543/00; B65D
21/0234; B65D 2251/00; B65D
2543/0012; B65D 85/60; B65D 81/365;
B65B 5/06

See application file for complete search history.

(56) **References Cited**

U.S. PATENT DOCUMENTS

D65,224 S * 7/1924 Connor 229/116.2
D98,237 S * 1/1936 Cohen D9/629
D498,668 S * 11/2004 Counts D9/624
D508,166 S * 8/2005 Liu D3/271.3
D523,757 S * 6/2006 Garcia D9/418
D540,691 S * 4/2007 Davies D9/417
D645,710 S * 9/2011 Alimenti D7/628
D699,120 S * 2/2014 Kraai D9/629
D700,844 S * 3/2014 Staller D9/629
D734,162 S * 7/2015 Delao D9/629
D817,588 S * 5/2018 Fraser D99/5

OTHER PUBLICATIONS

Target Valentine's Day Gift Box Red Spritz [online] First available 2021. 10 pages. Retrieved Feb. 2, 2022 from URL: <https://www.target.com/p/valentine-39-s-day-gift-box-red-spritz-8482/-/A-83434636> (Year: 2021).*

* cited by examiner

Primary Examiner — Vy N Koenig
Assistant Examiner — Anastasia E Longoria

(74) *Attorney, Agent, or Firm* — Egbert, McDaniel & Swartz, PLLC

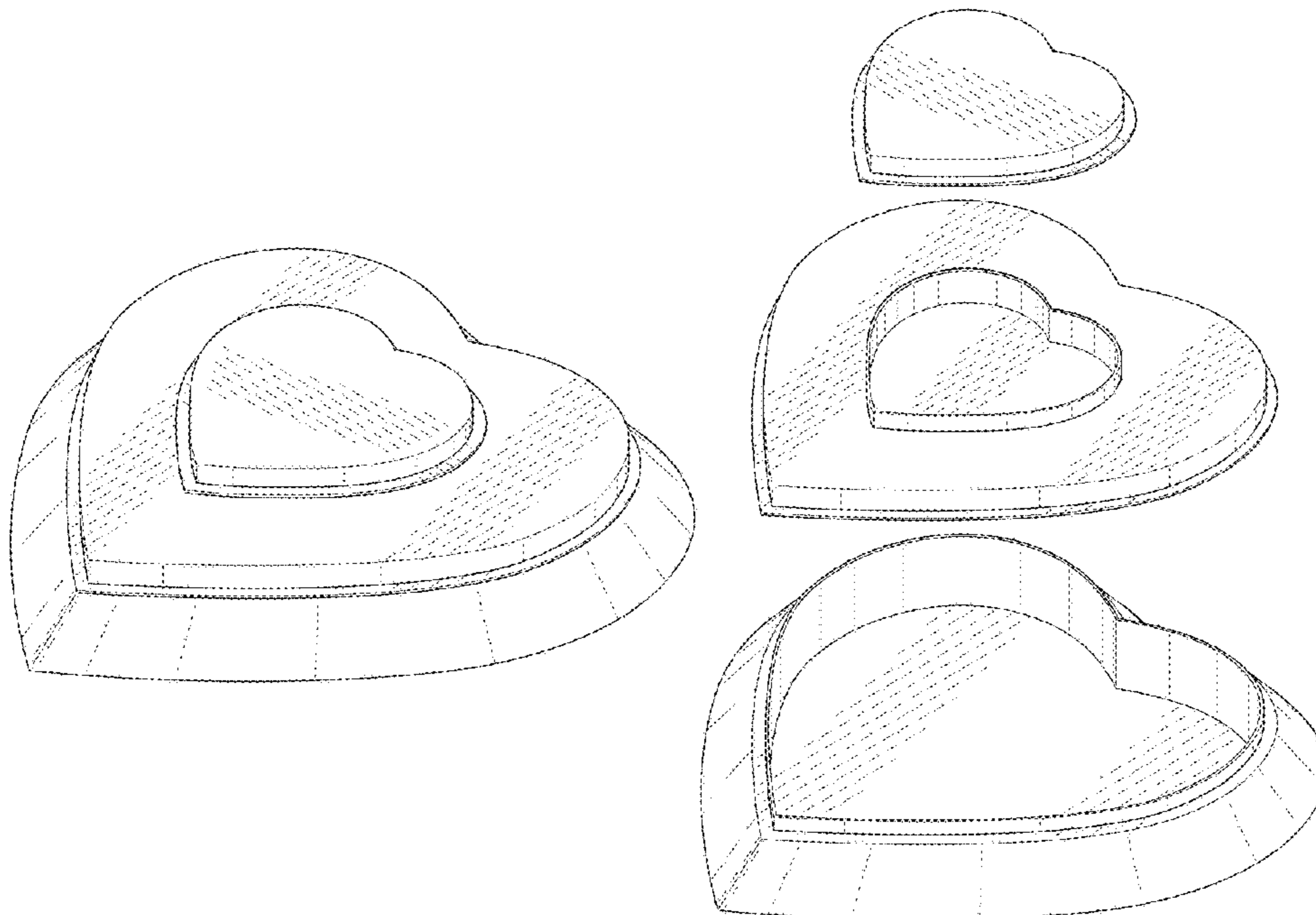
(57) **CLAIM**

The ornamental design for a slant-sided dual container gift box, as shown and described.

DESCRIPTION

FIG. 1 is a perspective view of a slant-sided dual container gift box showing my design.
FIG. 2 is a top view thereof;
FIG. 3 is a front view thereof;
FIG. 4 is a rear view thereof;
FIG. 5 is a left side view thereof;
FIG. 6 is a right side view thereof;
FIG. 7 is a bottom view thereof; and,
FIG. 8 is an exploded view thereof.
The broken lines of FIG. 7 illustrate portions of the slant-sided dual container gift box that form no part of the claimed design.

1 Claim, 5 Drawing Sheets



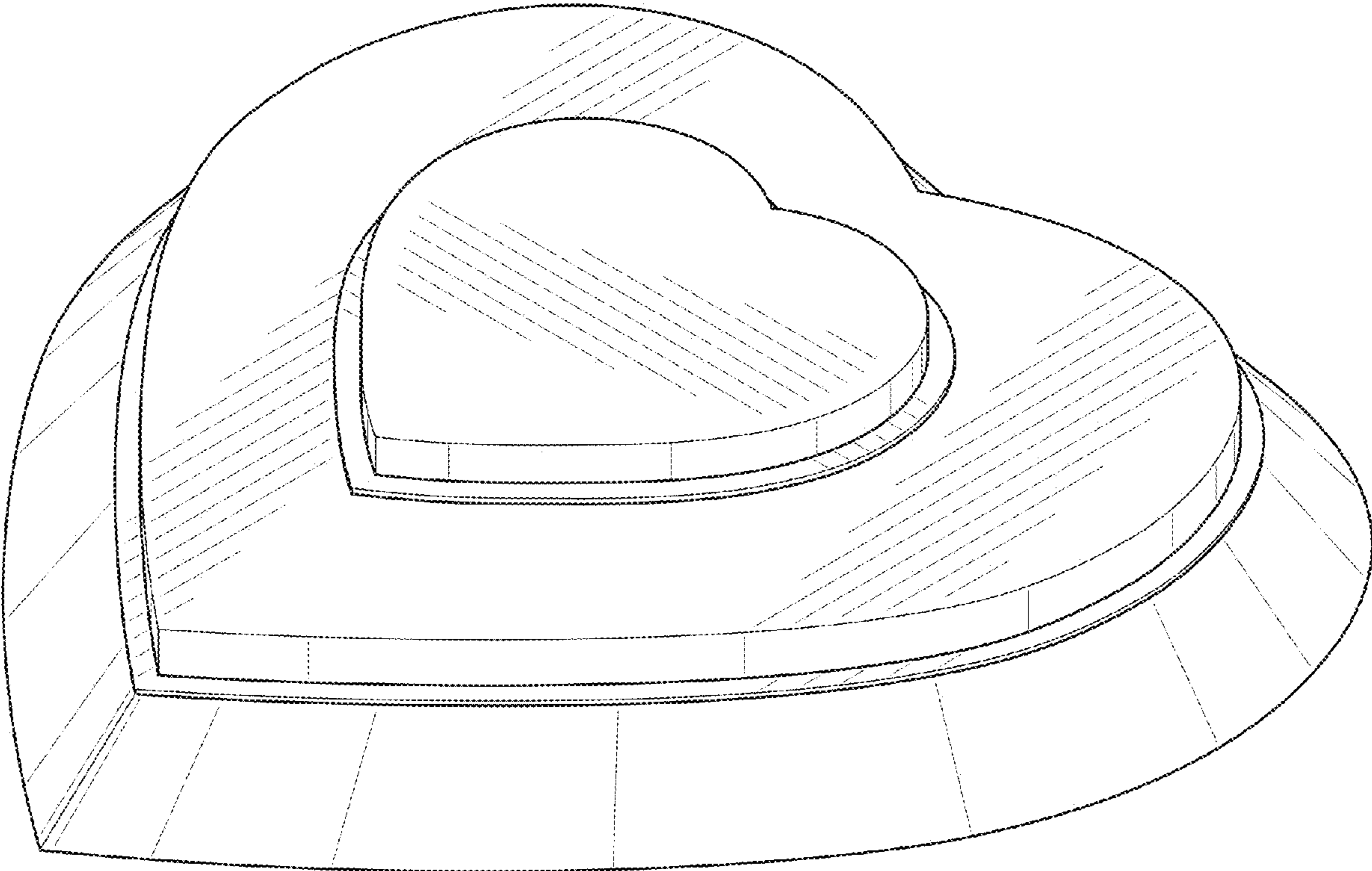


FIG. 1

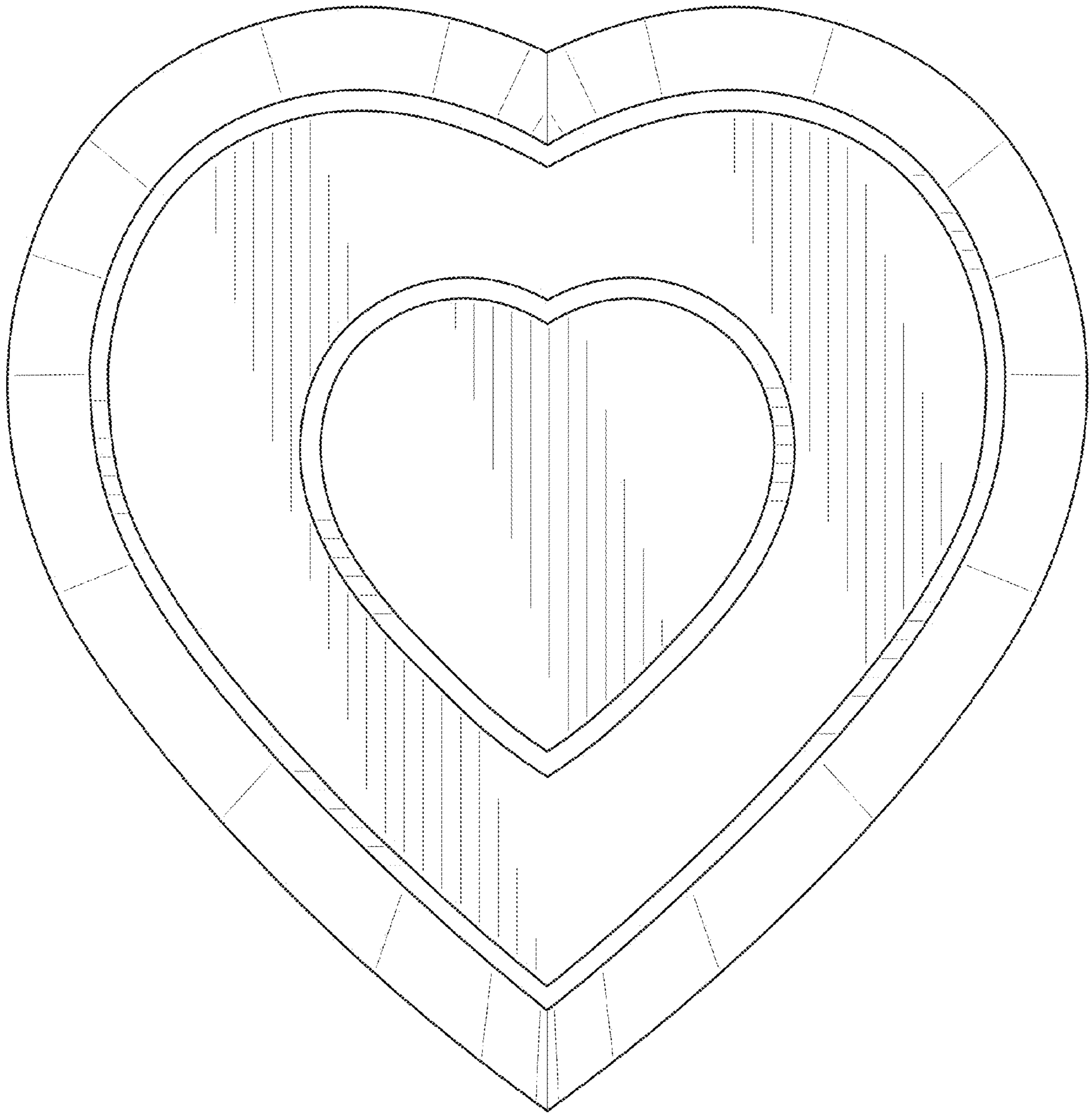


FIG. 2

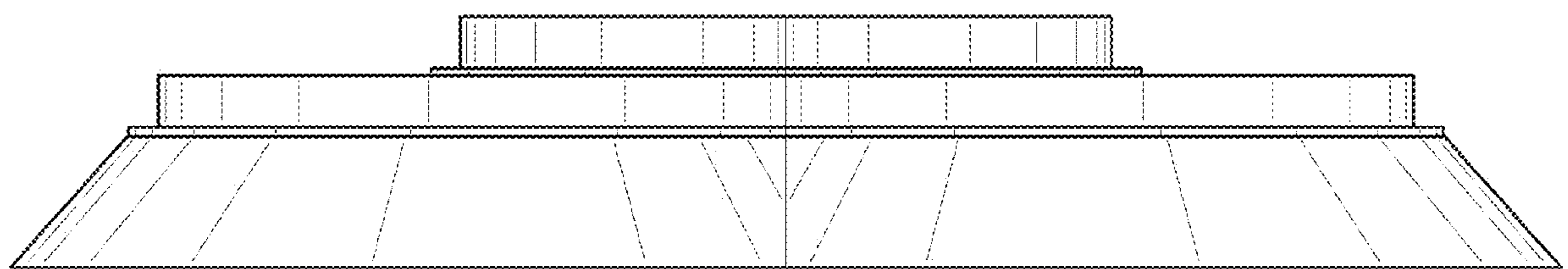


FIG. 3

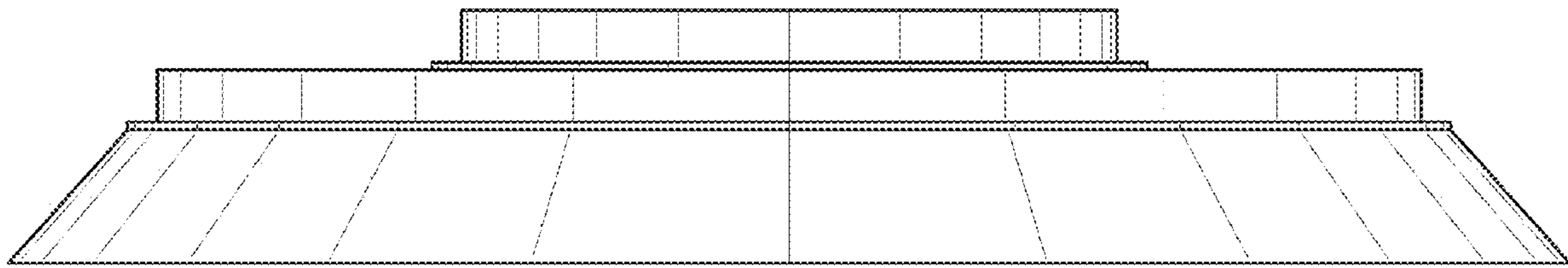


FIG. 4

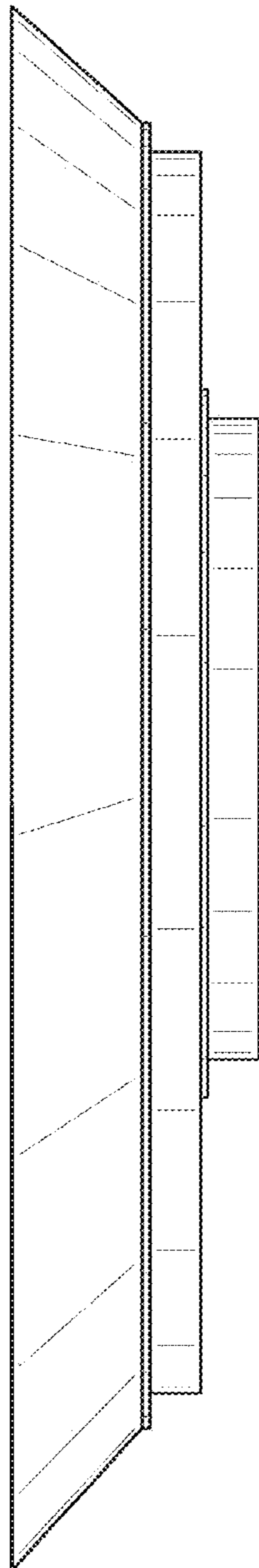


FIG. 5

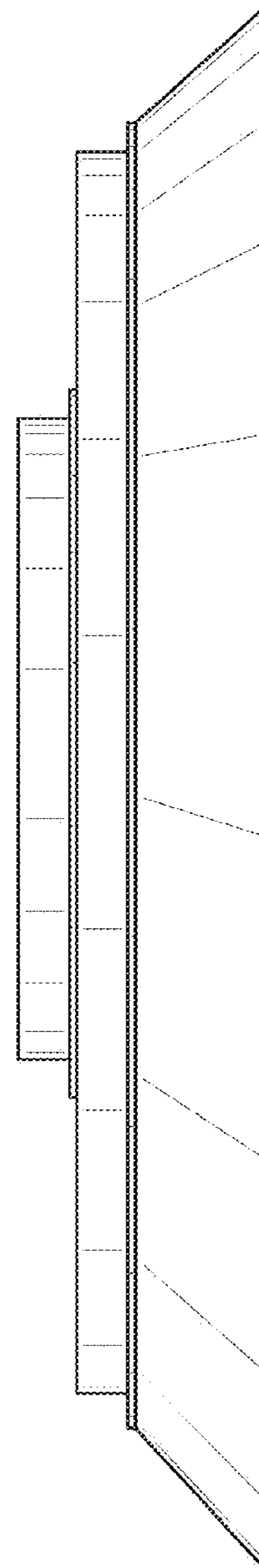


FIG. 6

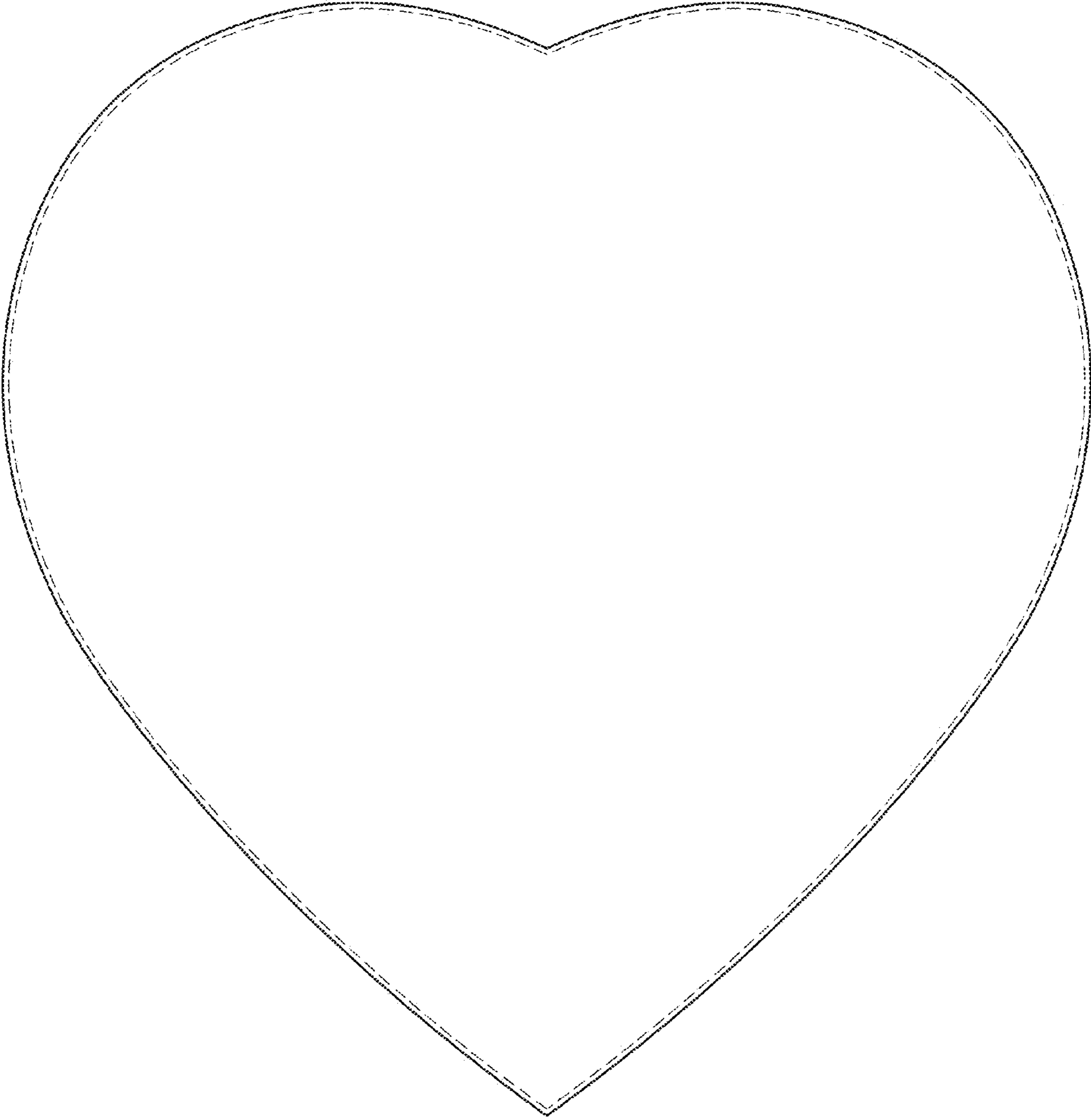


FIG. 7

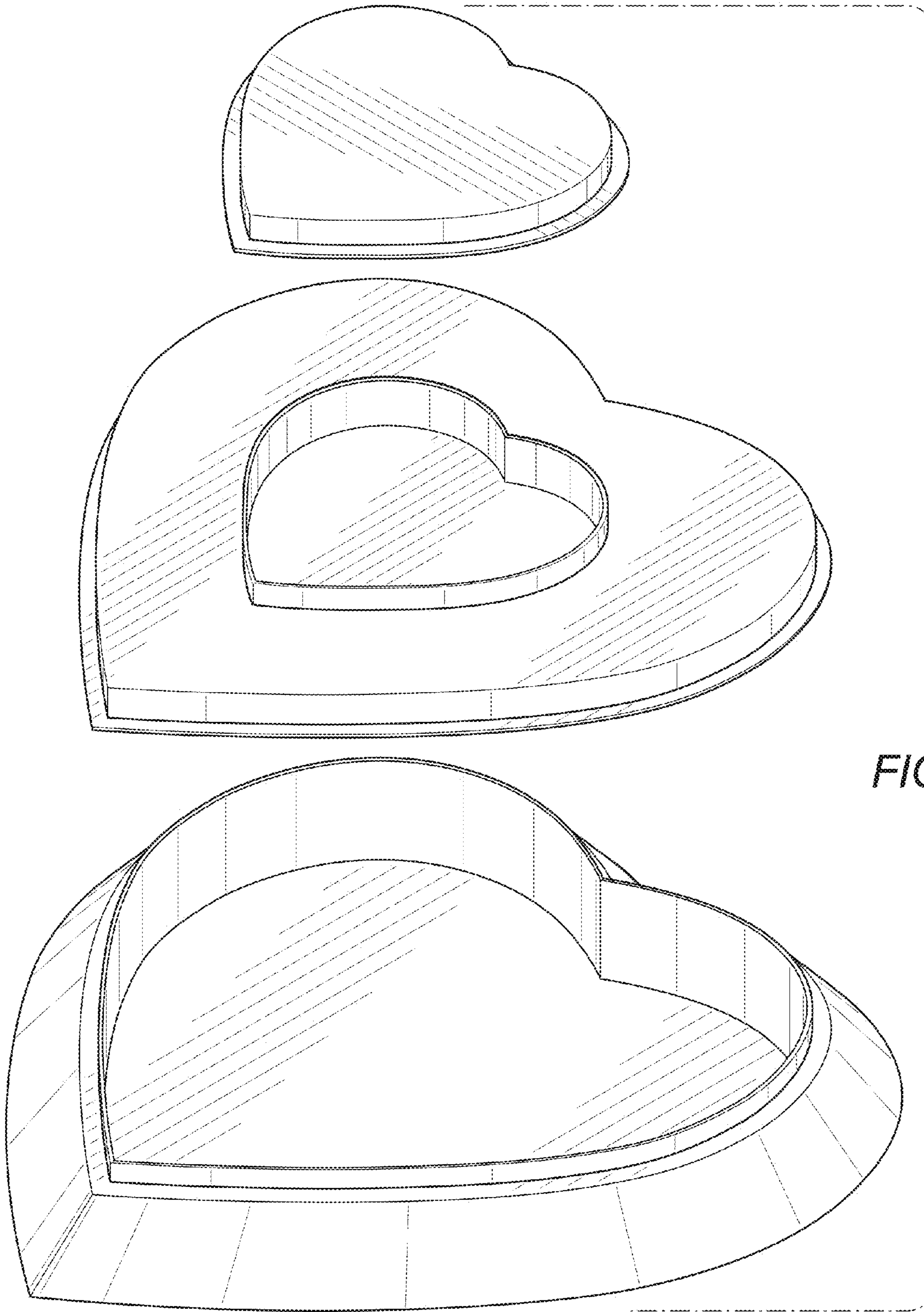


FIG. 8