



US00D953872S

(12) **United States Design Patent** (10) **Patent No.:** **US D953,872 S**  
**Delgado Carmona** (45) **Date of Patent:** **\*\* Jun. 7, 2022**

(54) **BOTTLE WITH PIRATE SHAPE**  
(71) Applicant: **Dart Industries Inc.**, Orlando, FL (US)  
(72) Inventor: **Sara L. Delgado Carmona**, Orlando, FL (US)  
(73) Assignee: **Dart Industries Inc.**, Orlando, FL (US)  
(\*\*) Term: **15 Years**

(21) Appl. No.: **29/730,983**  
(22) Filed: **Apr. 10, 2020**  
(51) **LOC (13) Cl.** ..... **09-01**  
(52) **U.S. Cl.**  
USPC ..... **D9/614; D9/516**  
(58) **Field of Classification Search**  
USPC ..... D3/270, 271.1-271.4; D7/514-520, 599, D7/604, 613, 619.2, 623, 628; D9/499, D9/544, 554, 567, 600-601, 605-613, D9/614-623; D21/655  
CPC ..... B65D 81/36; B65D 81/60; B65D 81/365; B65D 81/366; B65D 81/368; B65D 2203/00; B65D 2203/02; B65D 23/00; B65D 67/00; B65D 77/00; B65D 5/42; B65D 5/4208

See application file for complete search history.

(56) **References Cited**

U.S. PATENT DOCUMENTS

D342,020	S	*	12/1993	Orosz	.....	D9/607
D401,141	S	*	11/1998	Carroll	.....	D9/608
D433,337	S	*	11/2000	Cautereels	.....	D9/539
D712,272	S	*	9/2014	Veletakos	.....	D9/601
D713,261	S	*	9/2014	Delgado Carmona	.....	D9/604
D739,254	S	*	9/2015	Delgado Carmona	.....	D9/605
D766,094	S	*	9/2016	Delgado Carmona	.....	D9/607
D766,729	S	*	9/2016	Delgado Carmona	.....	D9/602
D766,730	S	*	9/2016	Delgado Carmona	.....	D9/608
D809,875	S	*	2/2018	Delgado Carmona	.....	D7/564
D809,876	S	*	2/2018	Delgado Carmona	.....	D9/608
D815,953	S	*	4/2018	Delgado Carmona	.....	D9/611
D866,339	S	*	11/2019	Delgado Carmona	.....	D9/617

D889,979	S	*	7/2020	Delgado Carmona	.....	D9/617
D920,126	S	*	5/2021	Badawy	.....	D9/614
D946,414	S	*	3/2022	Delgado Carmona	.....	D9/516

OTHER PUBLICATIONS

Tupperware Nordic EcoPure2 Buffalo Facebook [Online] 3 pgs. Published on Jan. 12, 2021. Retrieved Apr. 2, 2022 from URL: <https://m.facebook.com/TupperwareNordic/videos/ecopure2-buffalo/1066505130482818/> (Year: 2021).\*  
Amazon Bekith 12 Pk 9 oz Glass Honey Bear Jar with Silver Lids [Online] 10 pgs. Published on May 14, 2021. Retrieved Apr. 2, 2022 from URL: <https://www.amazon.com/Bekith-Silver-Wedding-Favors-Magnetic/dp/B094XZWWRT/ref=sr\_1\_16?crd=2LSWOEMORXCGH&keywords=bear+shape%E2%80%A6> (Year: 2021).\*

\* cited by examiner

*Primary Examiner* — Vy N Koenig  
*Assistant Examiner* — Anastasia Longoria  
(74) *Attorney, Agent, or Firm* — Taylor J. Ross

(57) **CLAIM**

The ornamental design for a bottle with pirate shape, as shown and described.

**DESCRIPTION**

FIG. 1 is a top, front and left side isometric view of a bottle with pirate shape showing my new design;  
FIG. 2 is a bottom, left and rear isometric view thereof;  
FIG. 3 is a top plan view thereof;  
FIG. 4 is a bottom plan view thereof;  
FIG. 5 is a front elevation view thereof;  
FIG. 6 is a rear elevation view thereof;  
FIG. 7 is a left side elevation view thereof;  
FIG. 8 is a right side elevation view thereof;  
FIG. 9 is a cross-sectional view taken along line 9-9 of FIG. 3; and,  
FIG. 10 is a cross-sectional view taken along line 10-10 of FIG. 3.

**1 Claim, 9 Drawing Sheets**

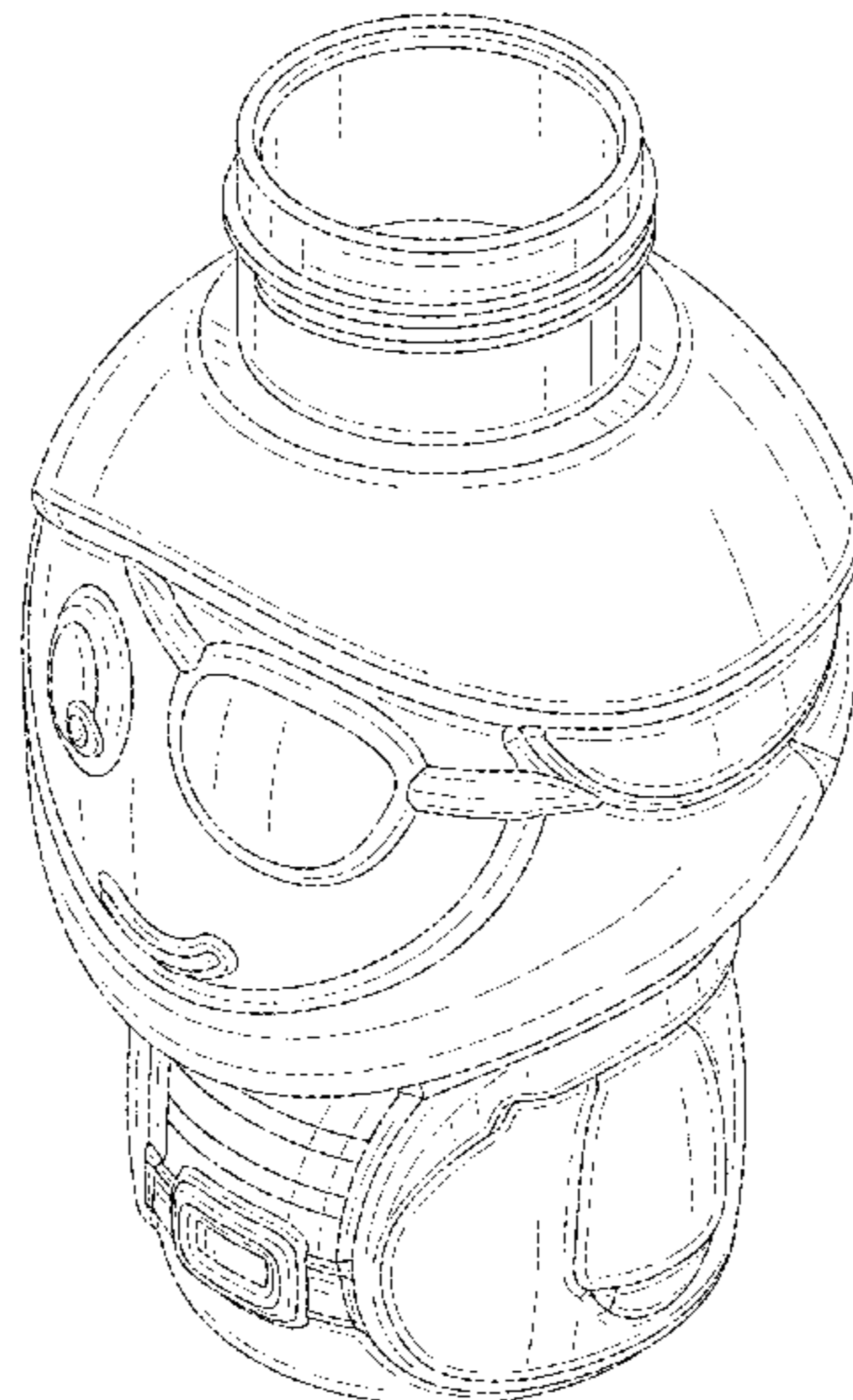


FIG. 1

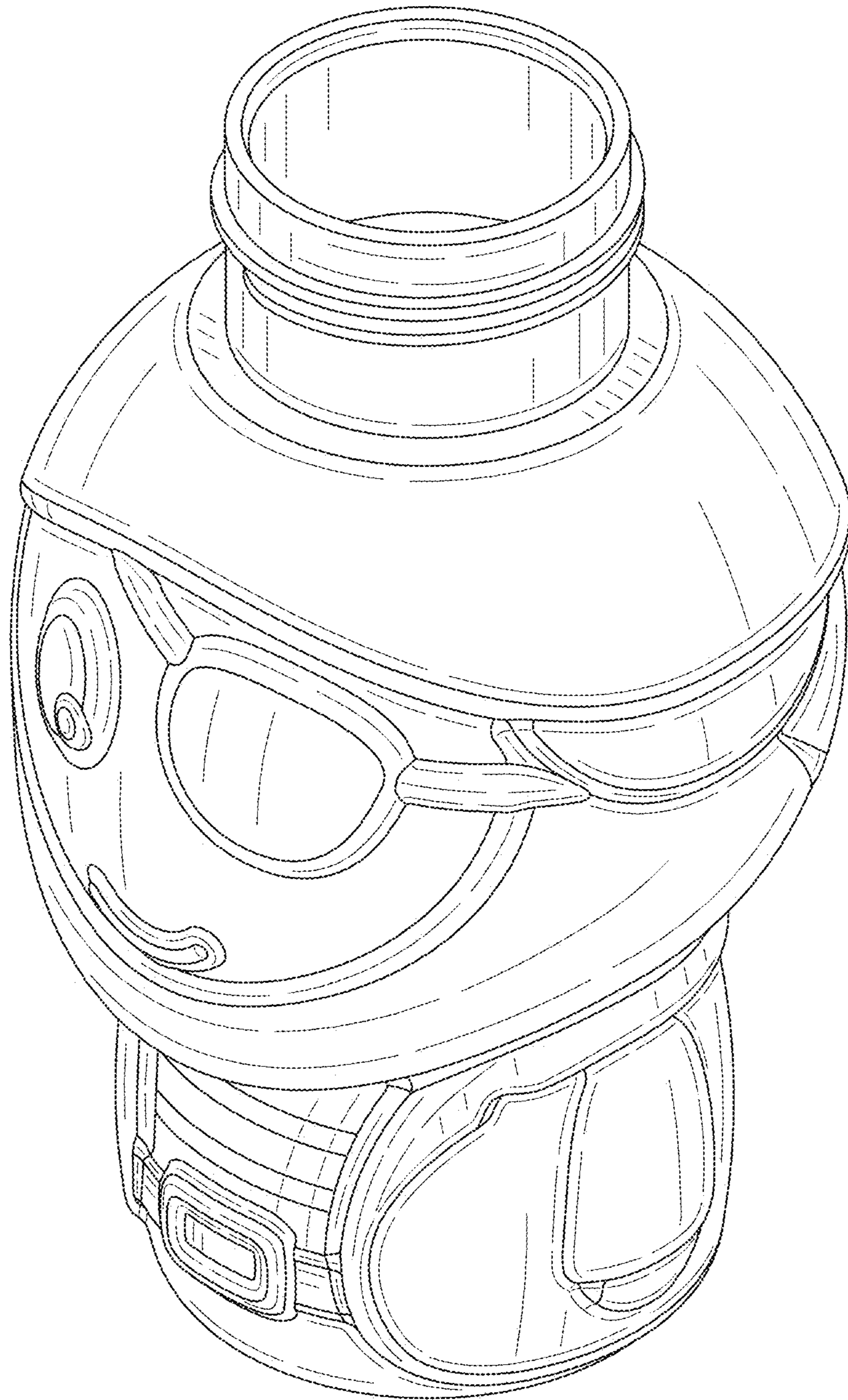


FIG. 2

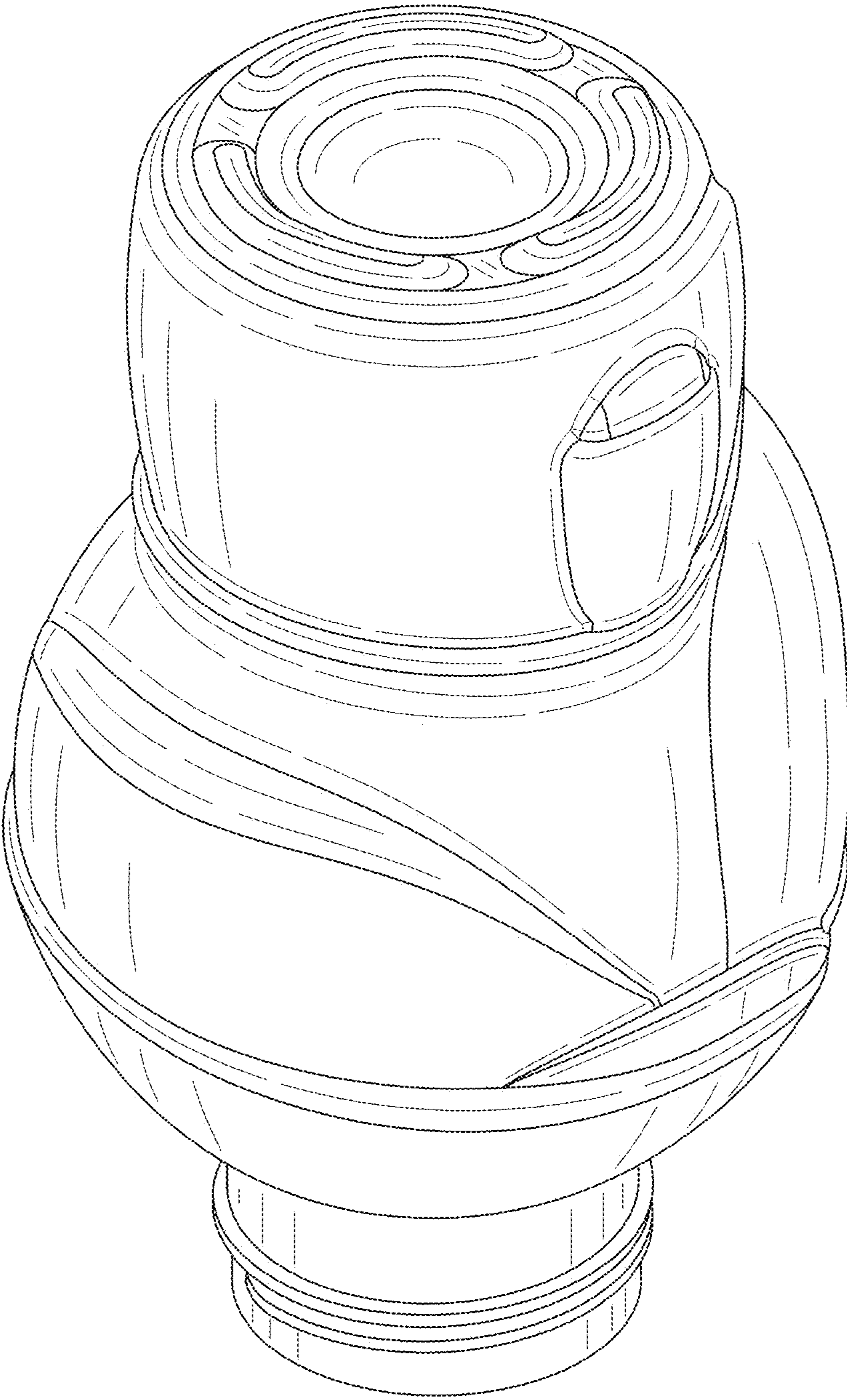


FIG. 3

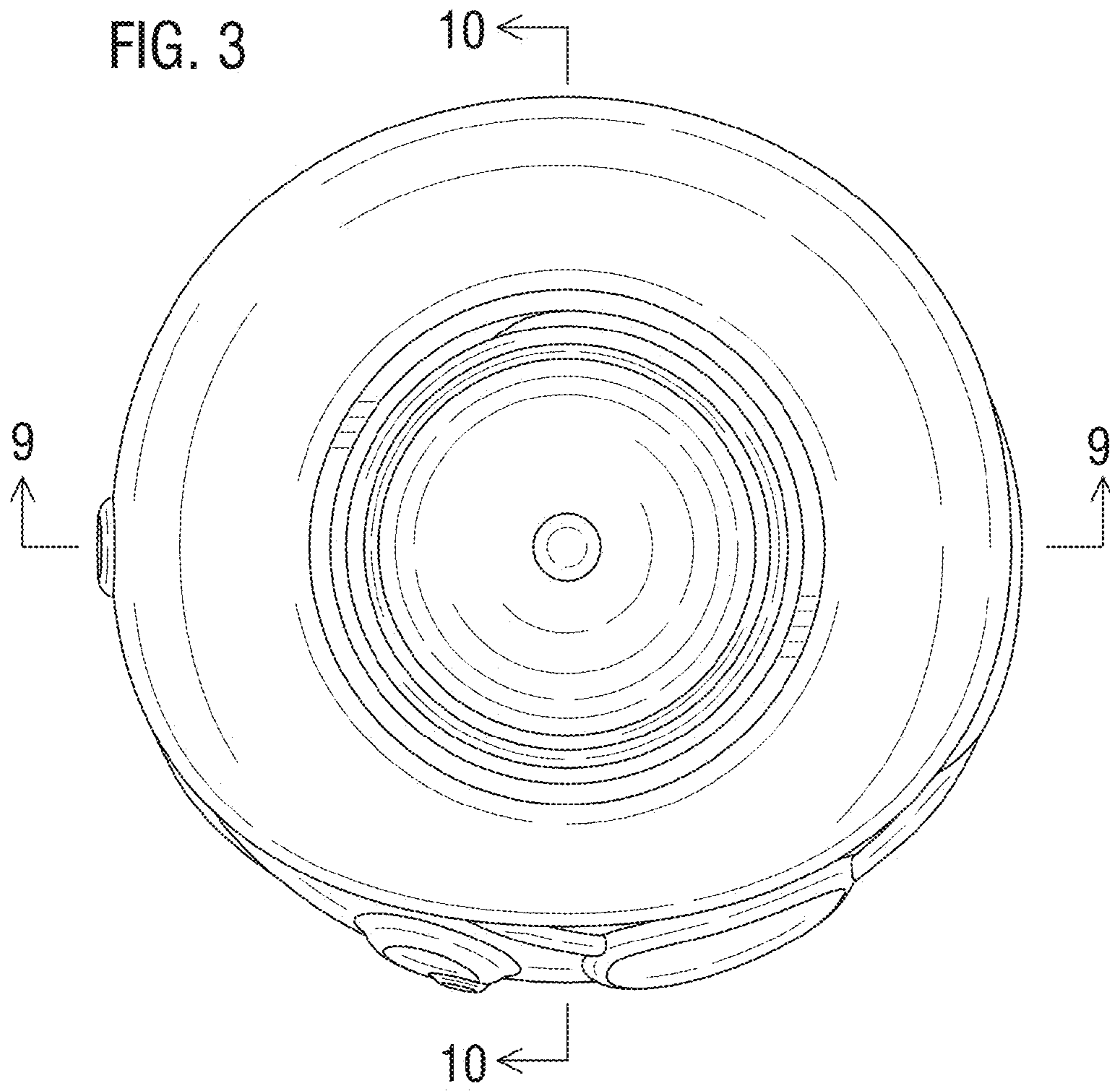


FIG. 4

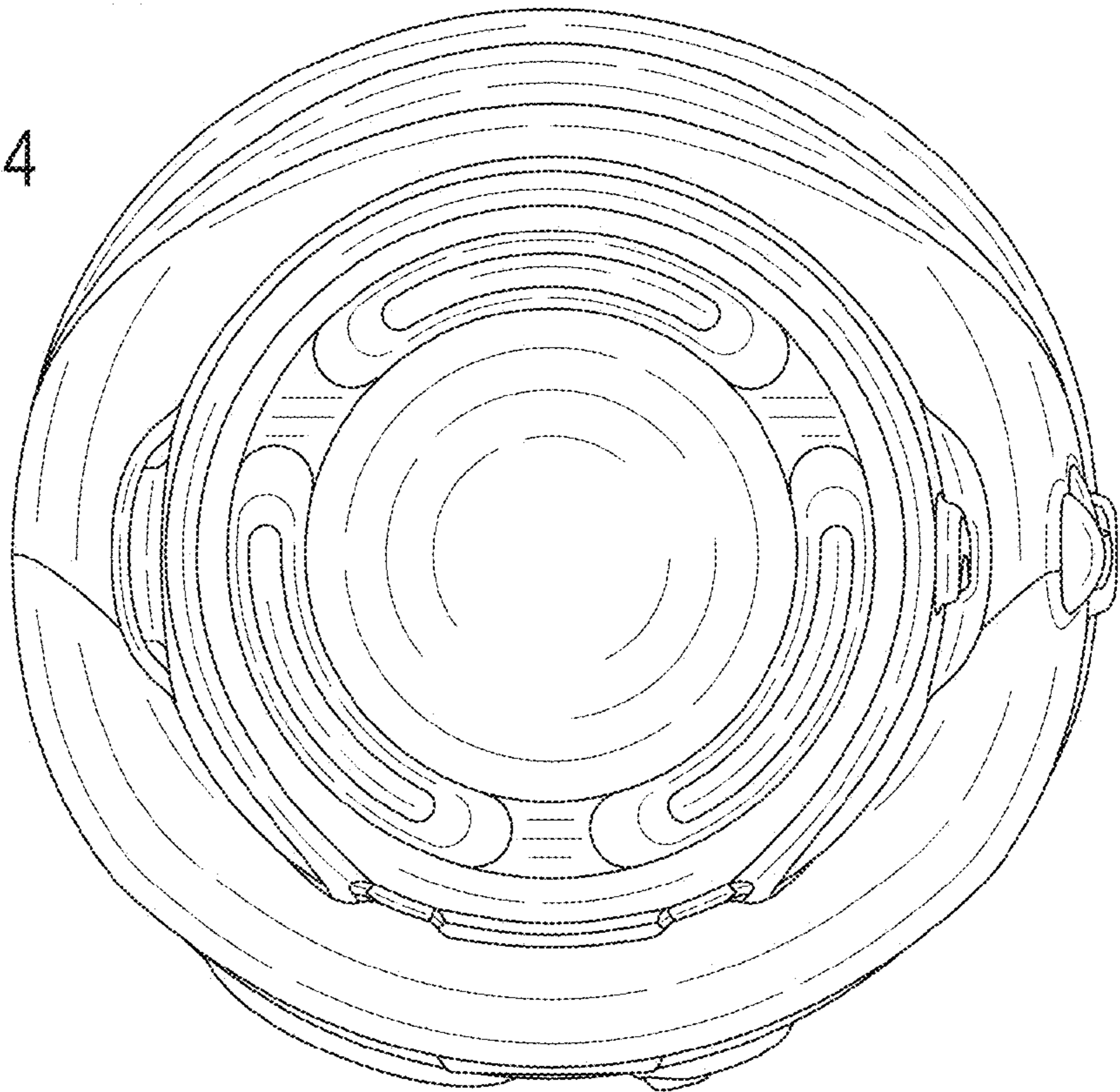


FIG. 5

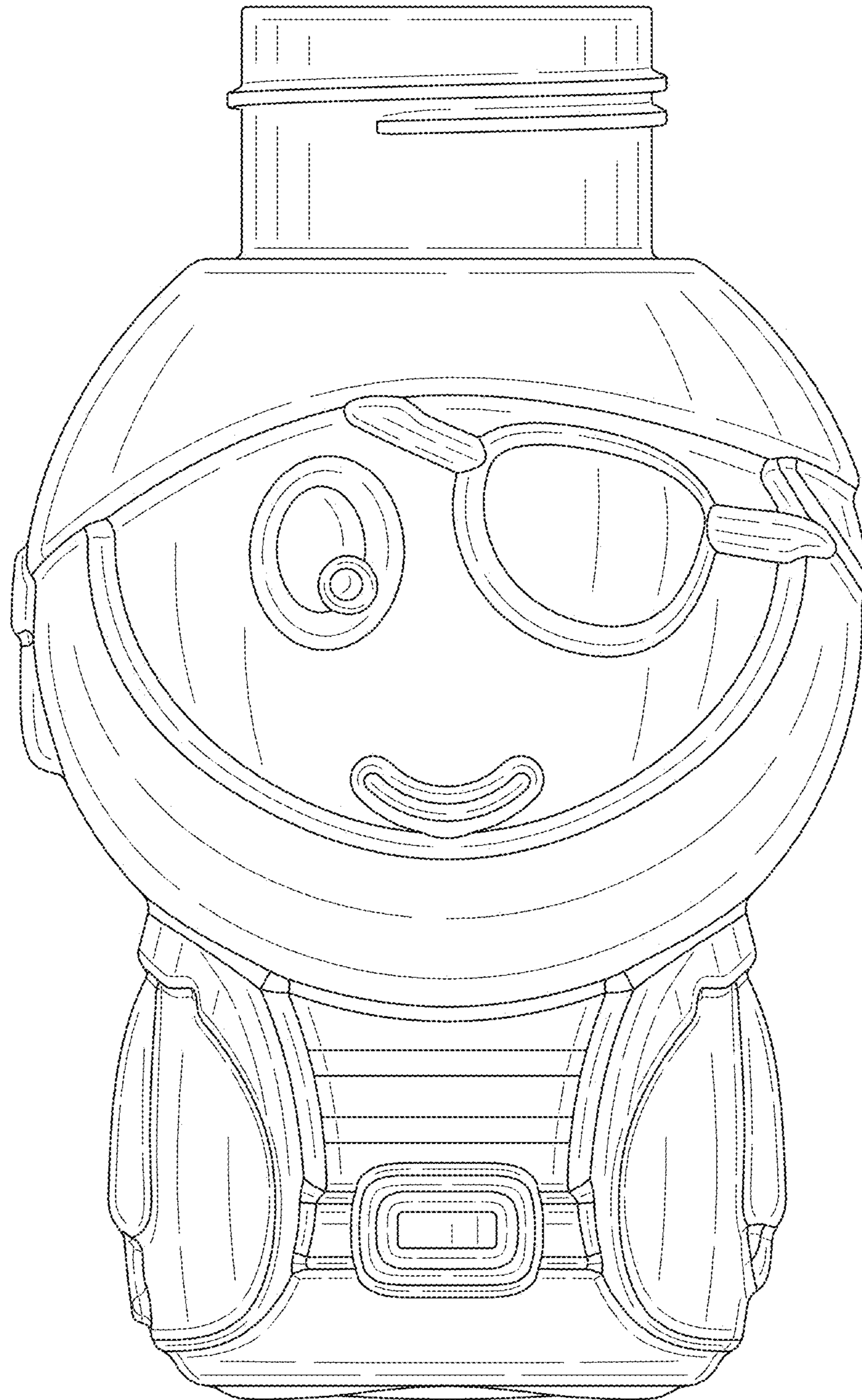


FIG. 6

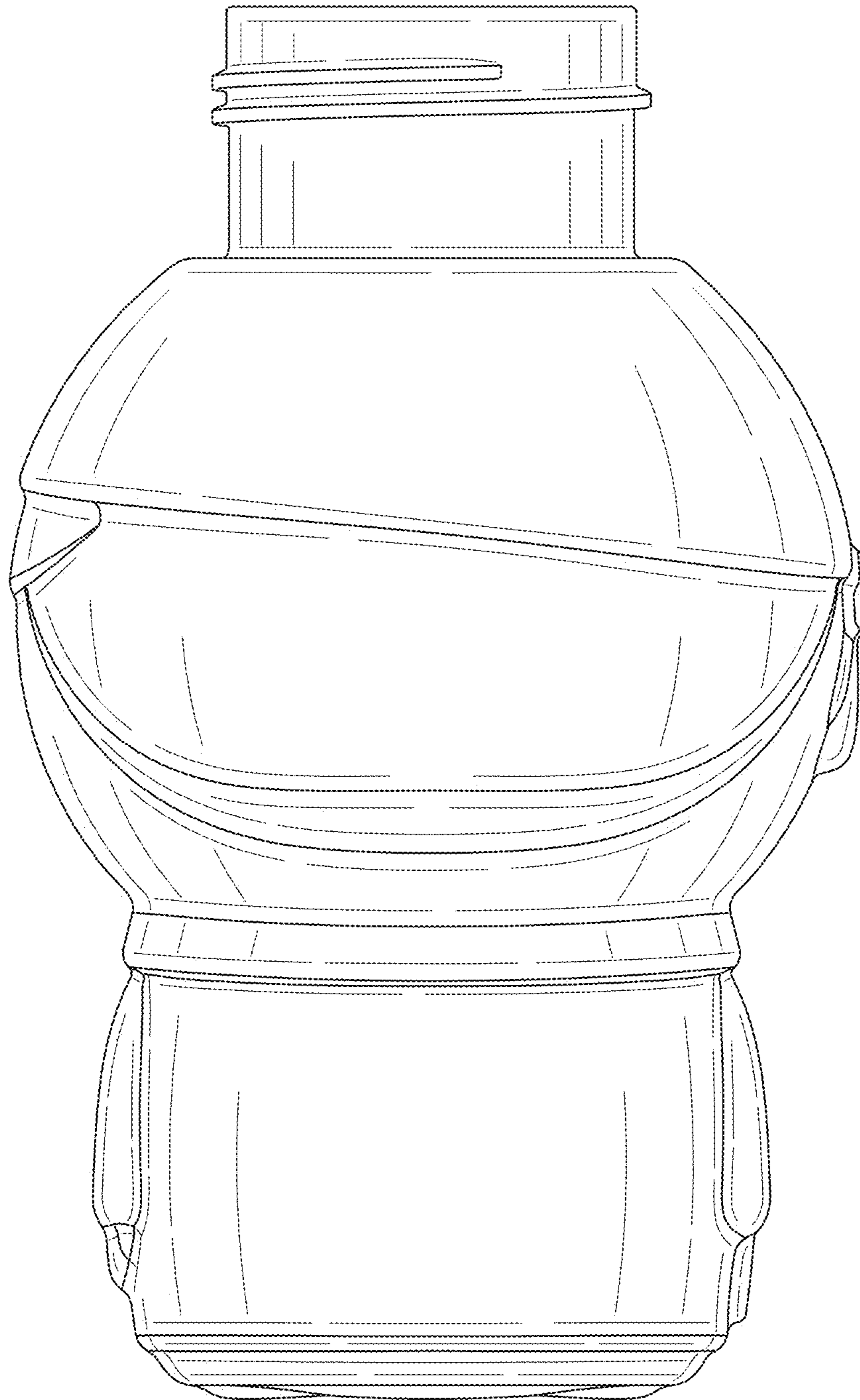


FIG. 7

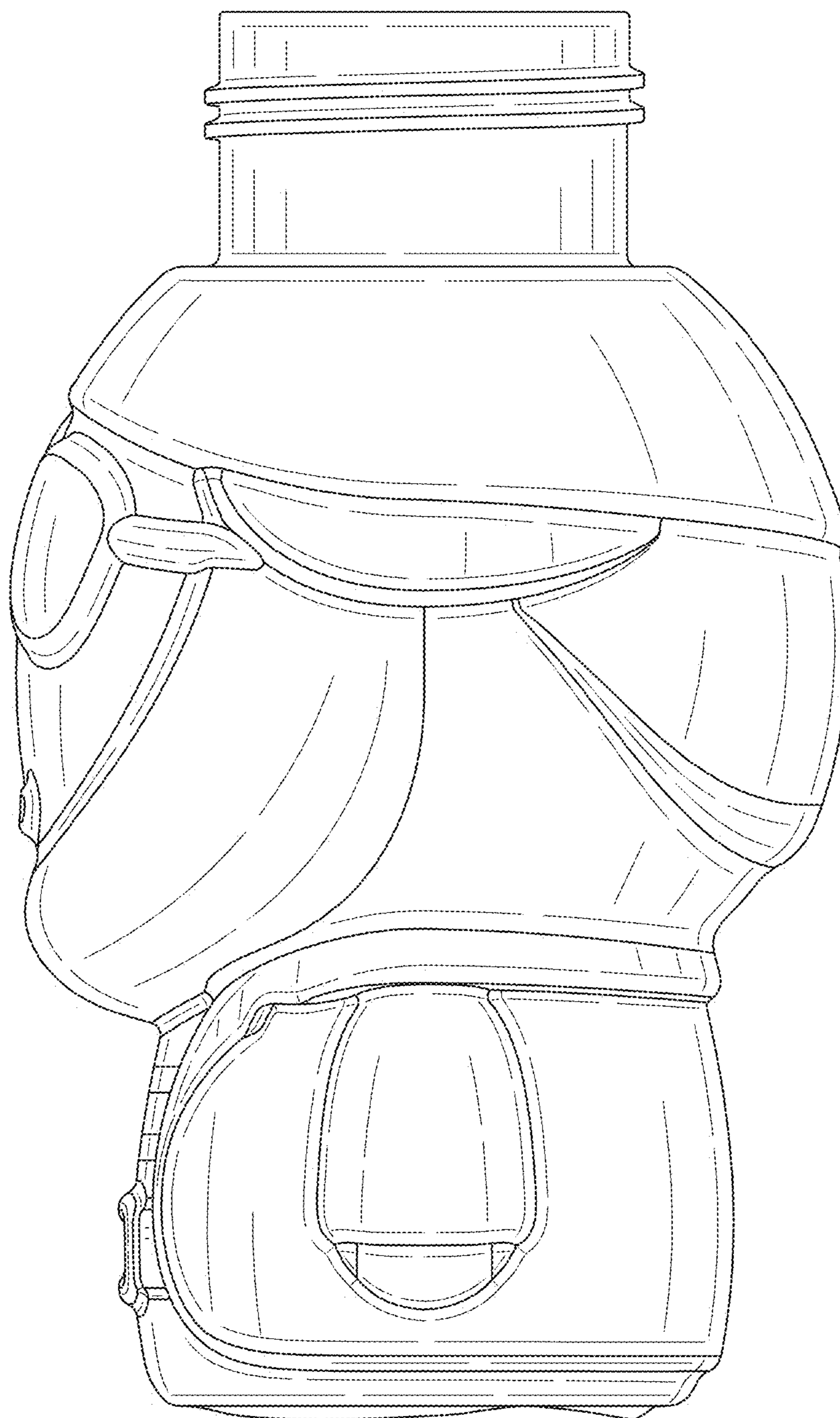


FIG. 8

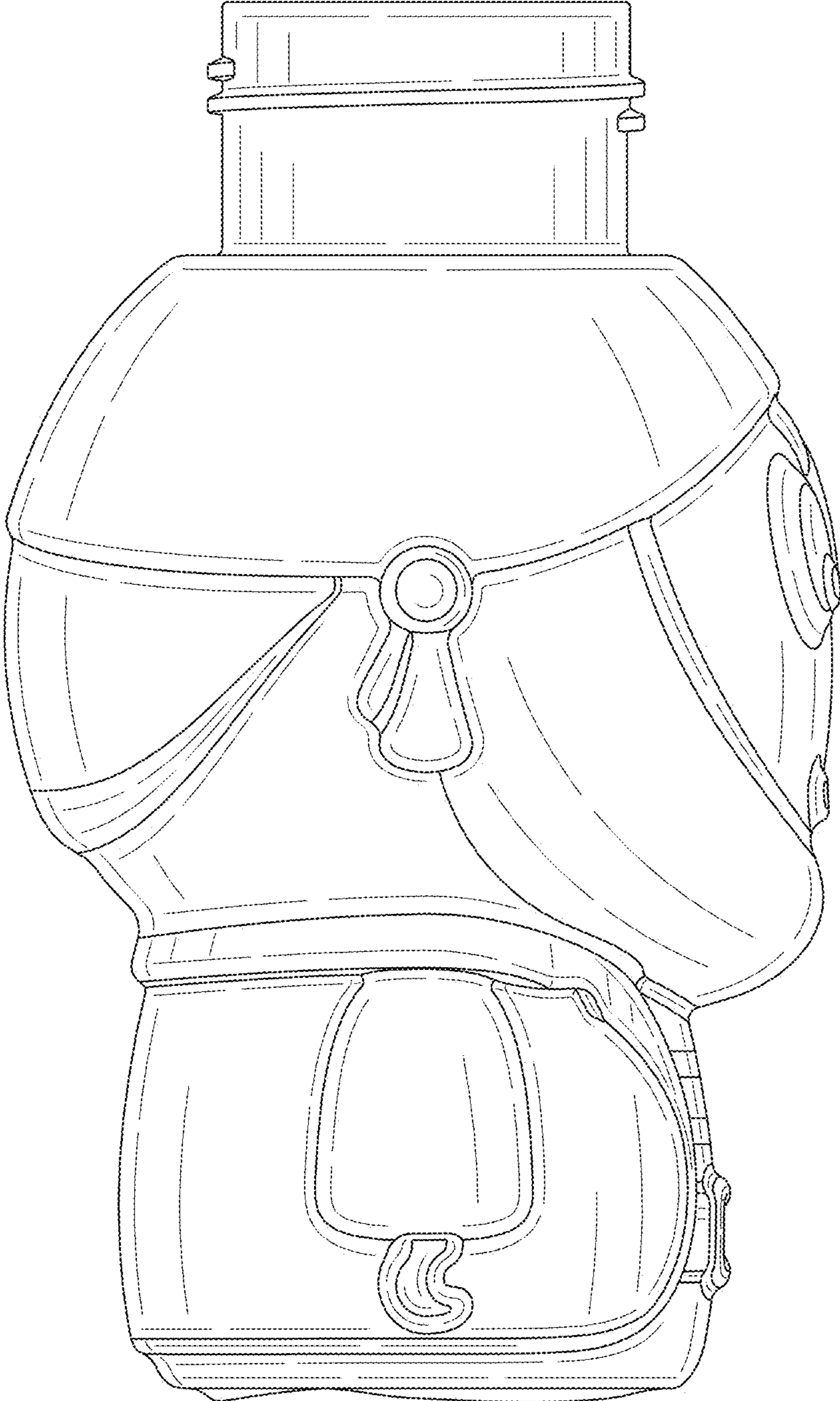




FIG. 9

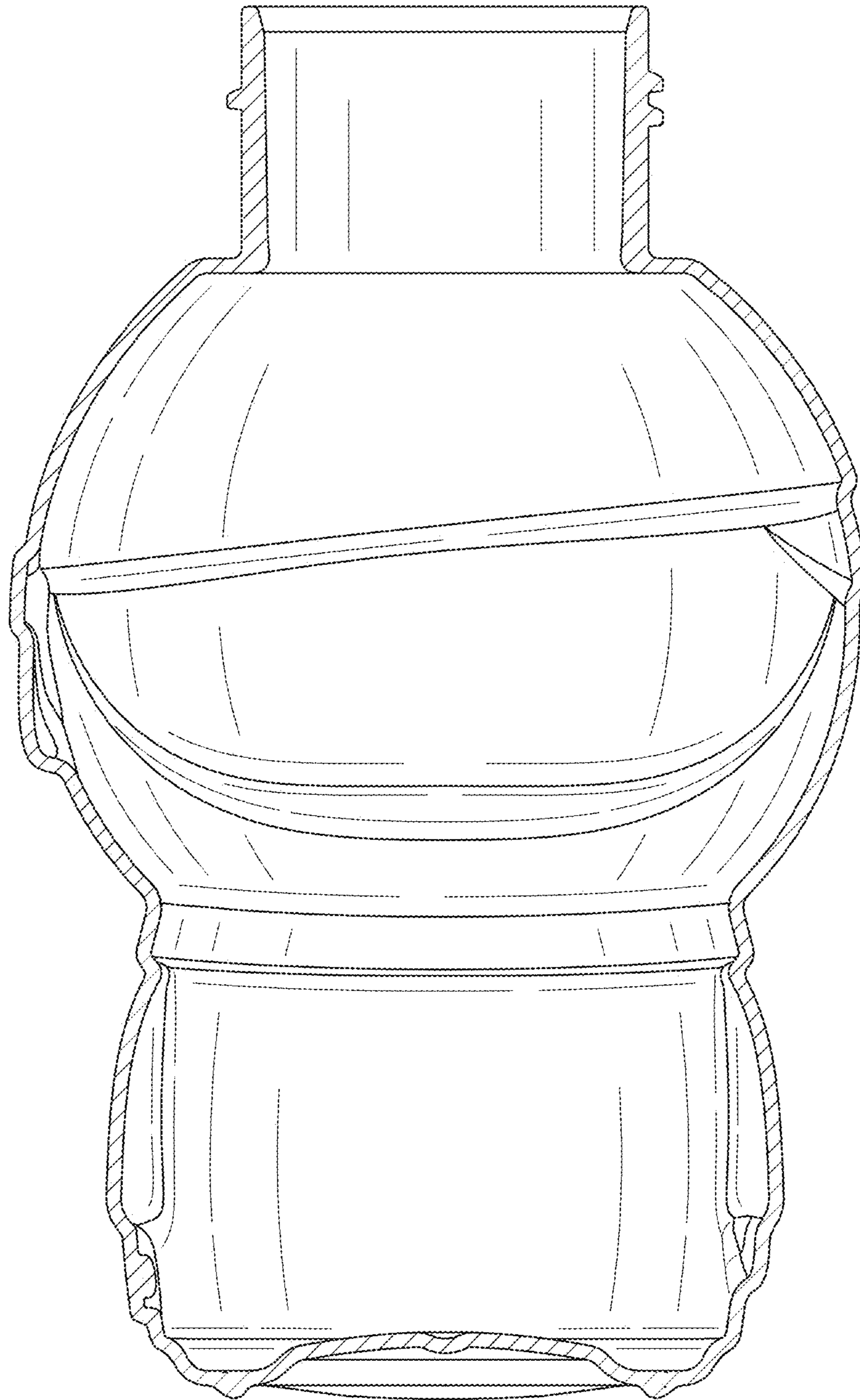


FIG. 10

