



US00D953869S

(12) **United States Design Patent**  
**Shea**

(10) **Patent No.:** **US D953,869 S**  
(45) **Date of Patent:** **\*\* Jun. 7, 2022**

(54) **CONTAINER**

(71) Applicant: **Joseph Shea**, Shrewsbury, MA (US)

(72) Inventor: **Joseph Shea**, Shrewsbury, MA (US)

(\*\*) Term: **15 Years**

(21) Appl. No.: **29/759,341**

(22) Filed: **Nov. 22, 2020**

(51) **LOC (13) Cl.** ..... **09-01**

(52) **U.S. Cl.**  
USPC ..... **D9/540**; D9/454; D9/503; D9/575;  
D9/645

(58) **Field of Classification Search**

USPC ..... D9/434, 454, 500, 502-504, 516, 530,  
D9/537, 539-540, 549, 558, 575, 645,  
D9/682, 686, 690, 693, 715, 719  
CPC ..... B65D 1/00; B65D 1/02; B65D 1/0223;  
B65D 2501/00; B65D 2501/0009; A45D  
34/042; A45D 34/045

See application file for complete search history.

(56) **References Cited**

**U.S. PATENT DOCUMENTS**

D462,010 S \* 8/2002 Brown, III ..... D9/503  
D520,363 S \* 5/2006 Perez ..... D9/500

D537,362 S \* 2/2007 Ivankovic ..... D9/691  
D577,601 S \* 9/2008 Kao ..... D9/500  
D689,368 S \* 9/2013 Kim ..... D9/645  
D795,697 S \* 8/2017 Reggiani ..... D9/503  
D815,532 S \* 4/2018 Zhou ..... D9/504  
D833,874 S \* 11/2018 Harrison ..... D9/500  
D833,875 S \* 11/2018 Harrison ..... D9/503  
D837,962 S \* 1/2019 Gobber ..... D23/366  
D848,847 S \* 5/2019 Friel ..... D9/503

\* cited by examiner

*Primary Examiner* — Dana Meyrow

(74) *Attorney, Agent, or Firm* — Brian M. Dingman;  
Dingman IP Law, PC

(57) **CLAIM**

I claim the ornamental design for a container, as shown and described.

**DESCRIPTION**

FIG. 1 is a perspective view of a container showing the new design.

FIG. 2 is a front elevational view thereof.

FIG. 3 is a rear elevational view thereof.

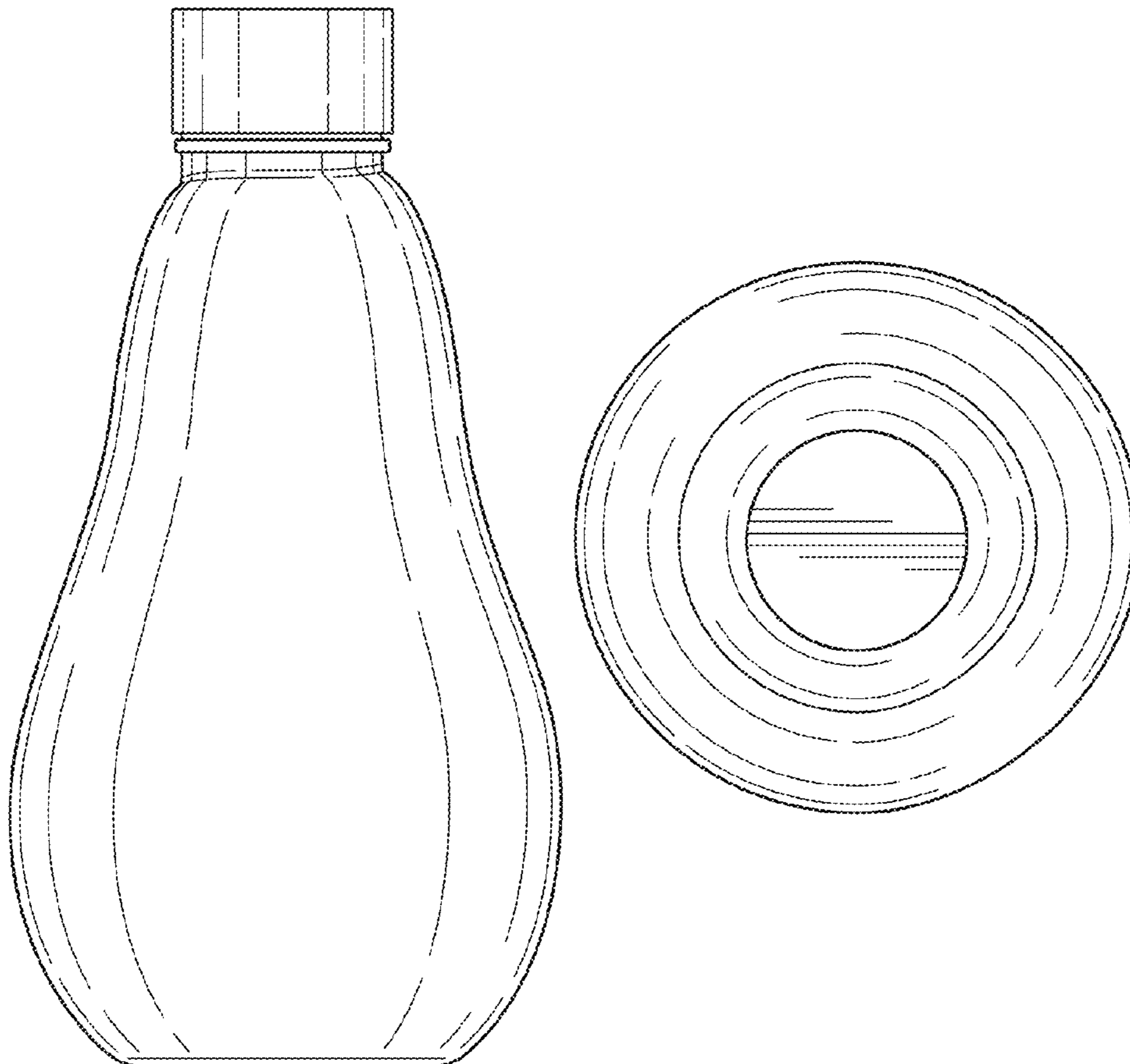
FIG. 4 is a left side elevational view thereof.

FIG. 5 is a right side elevational view thereof.

FIG. 6 is a top plan view thereof; and,

FIG. 7 is a bottom plan view thereof.

**1 Claim, 6 Drawing Sheets**



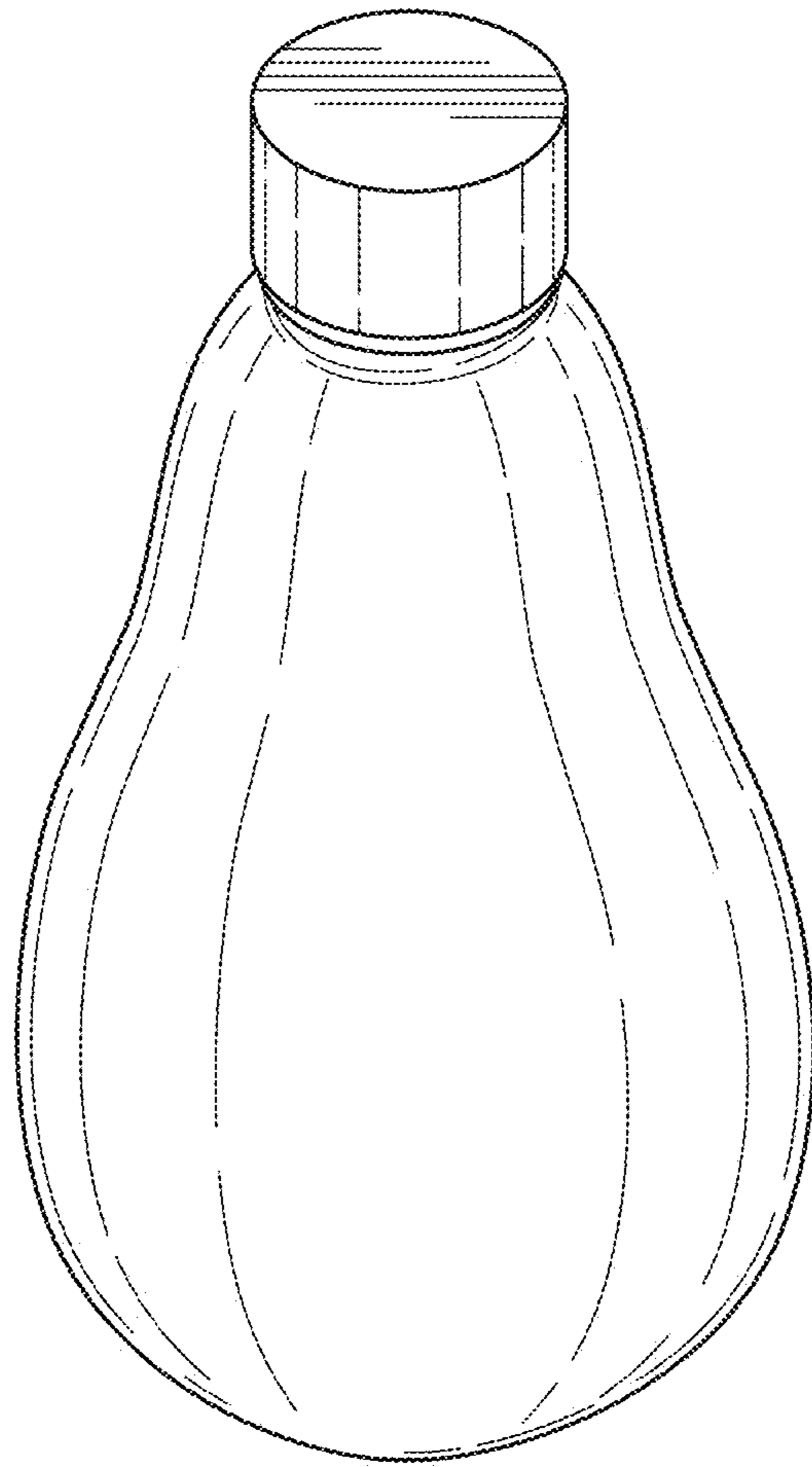


FIG. 1

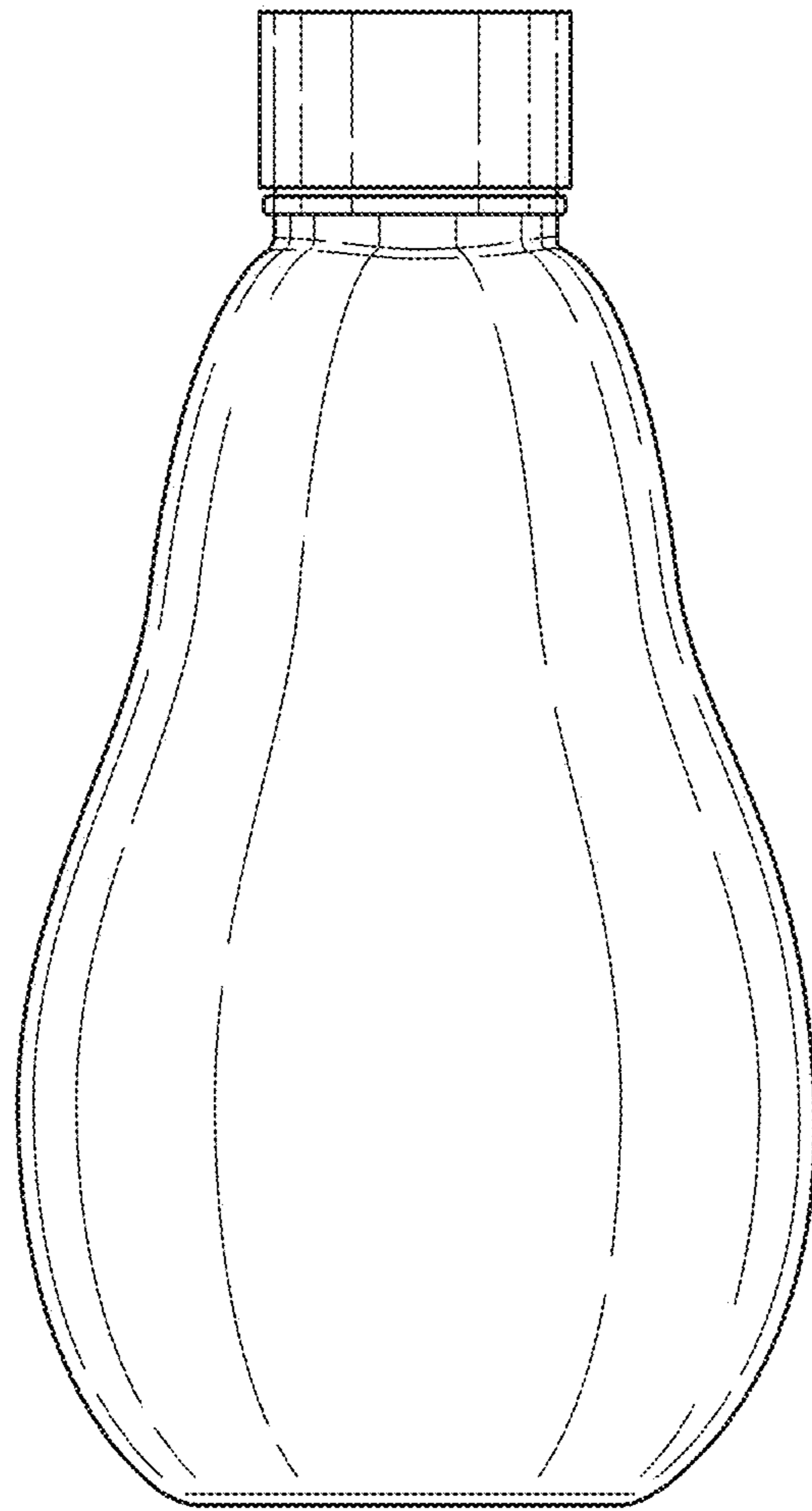


FIG. 2

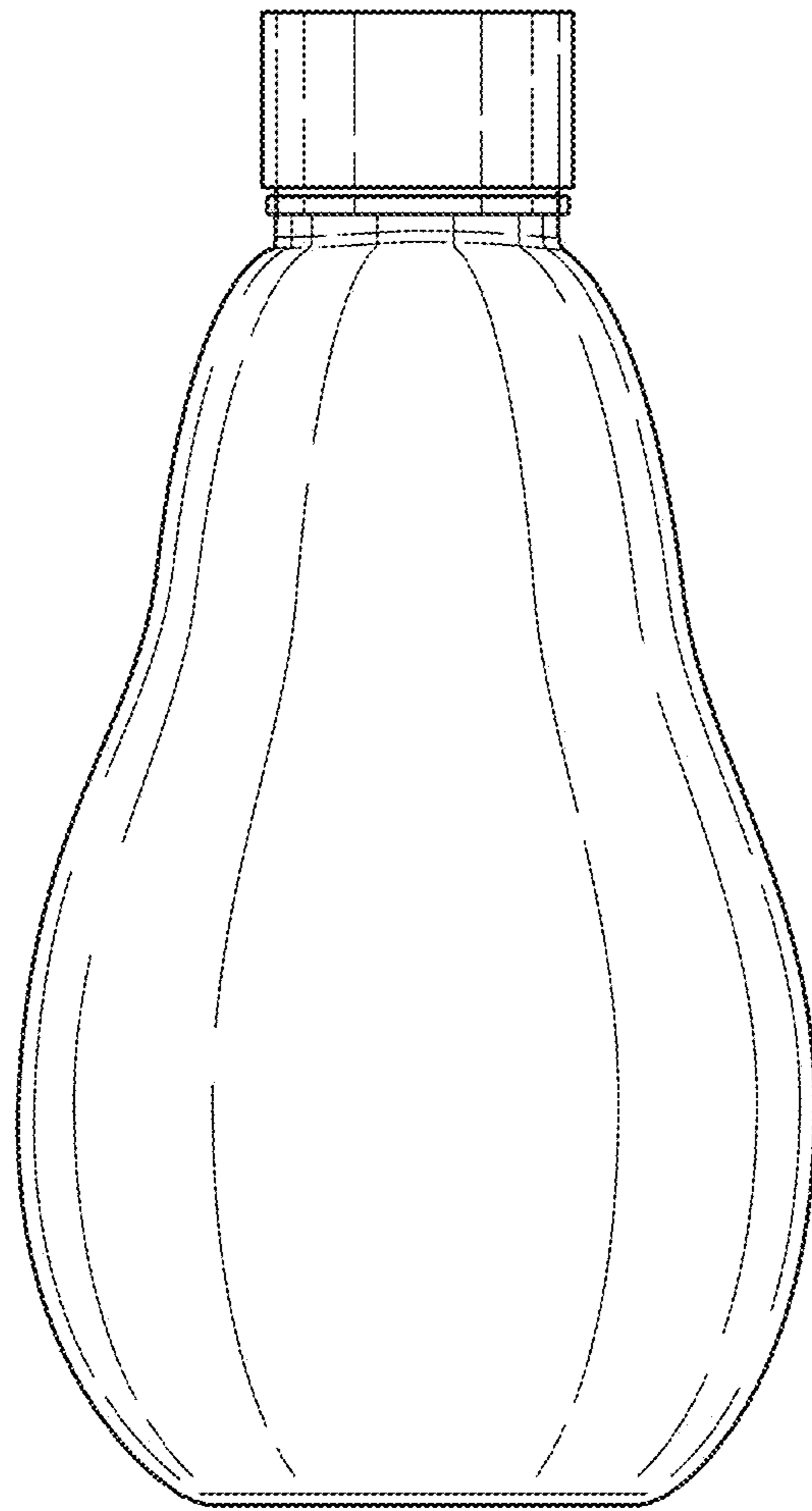


FIG. 3

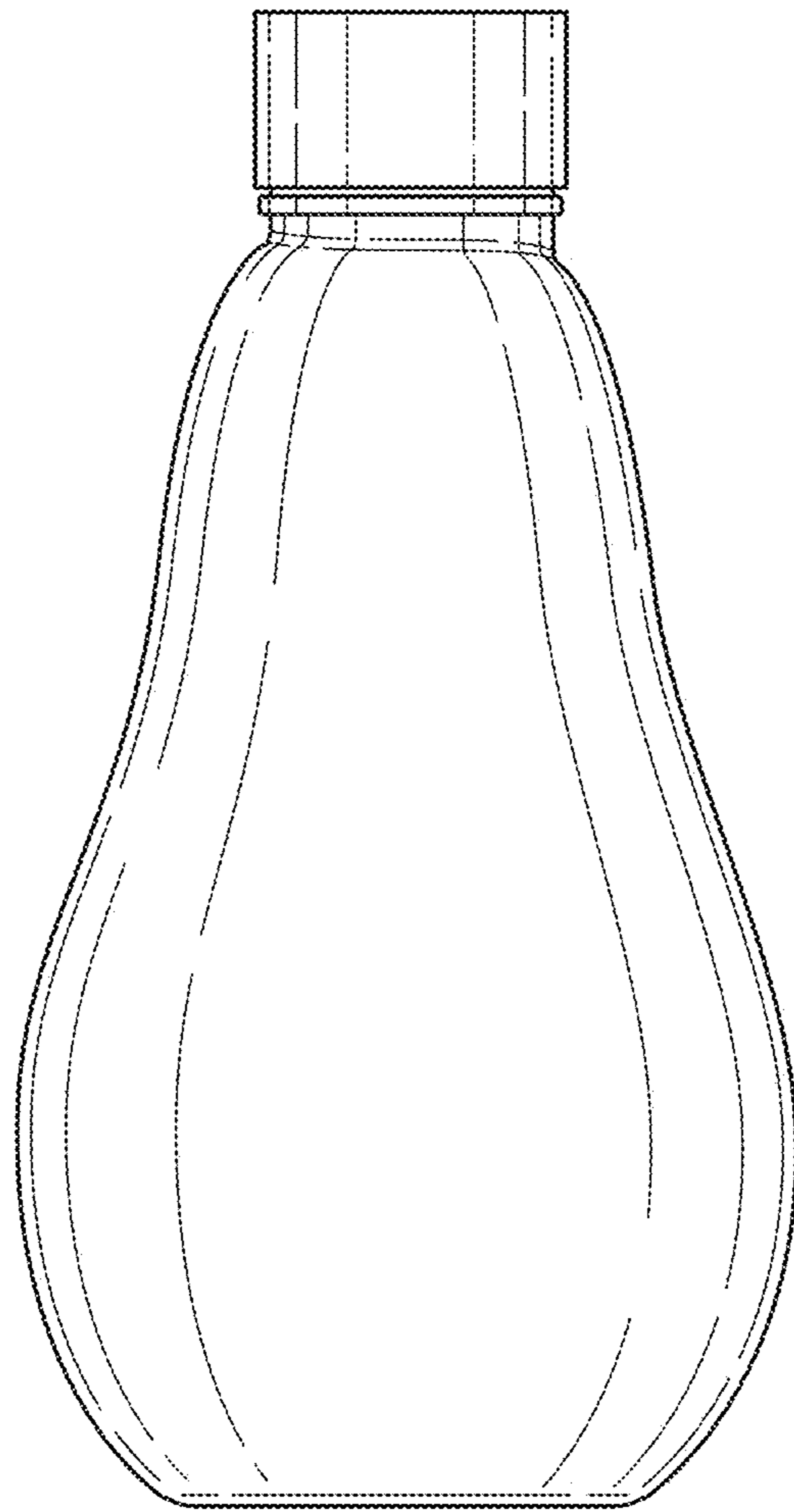


FIG. 4

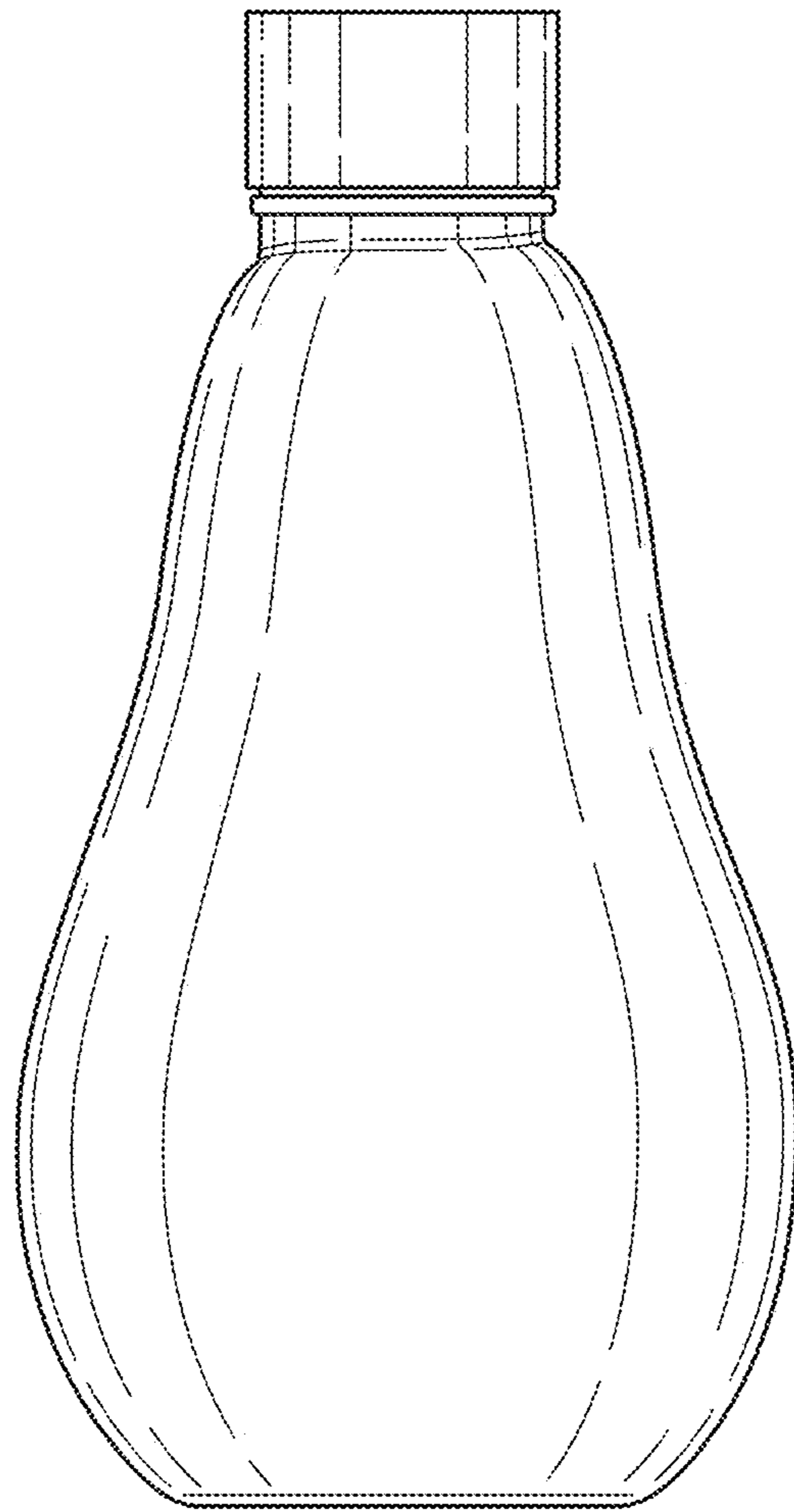


FIG. 5

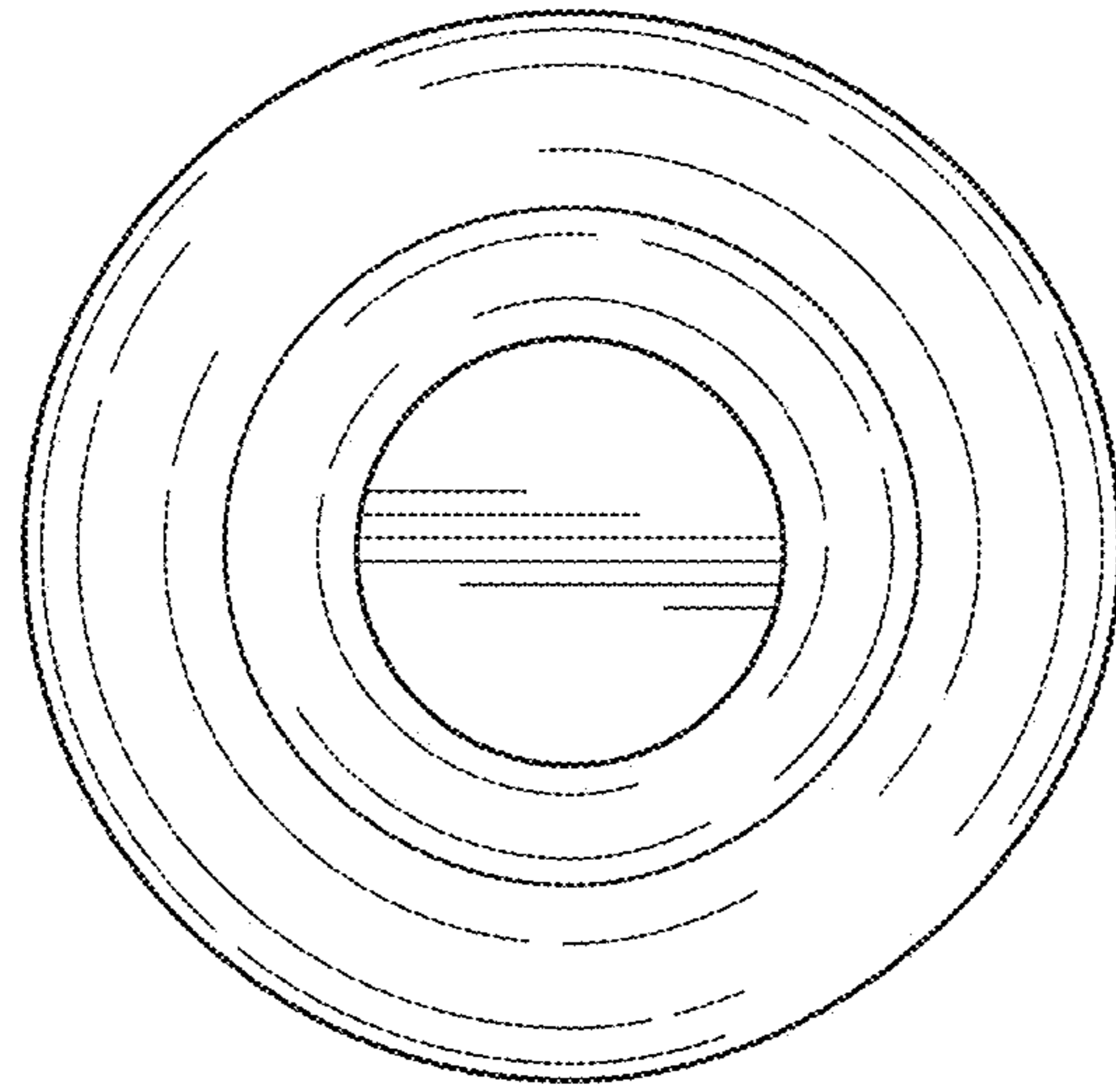


FIG. 6

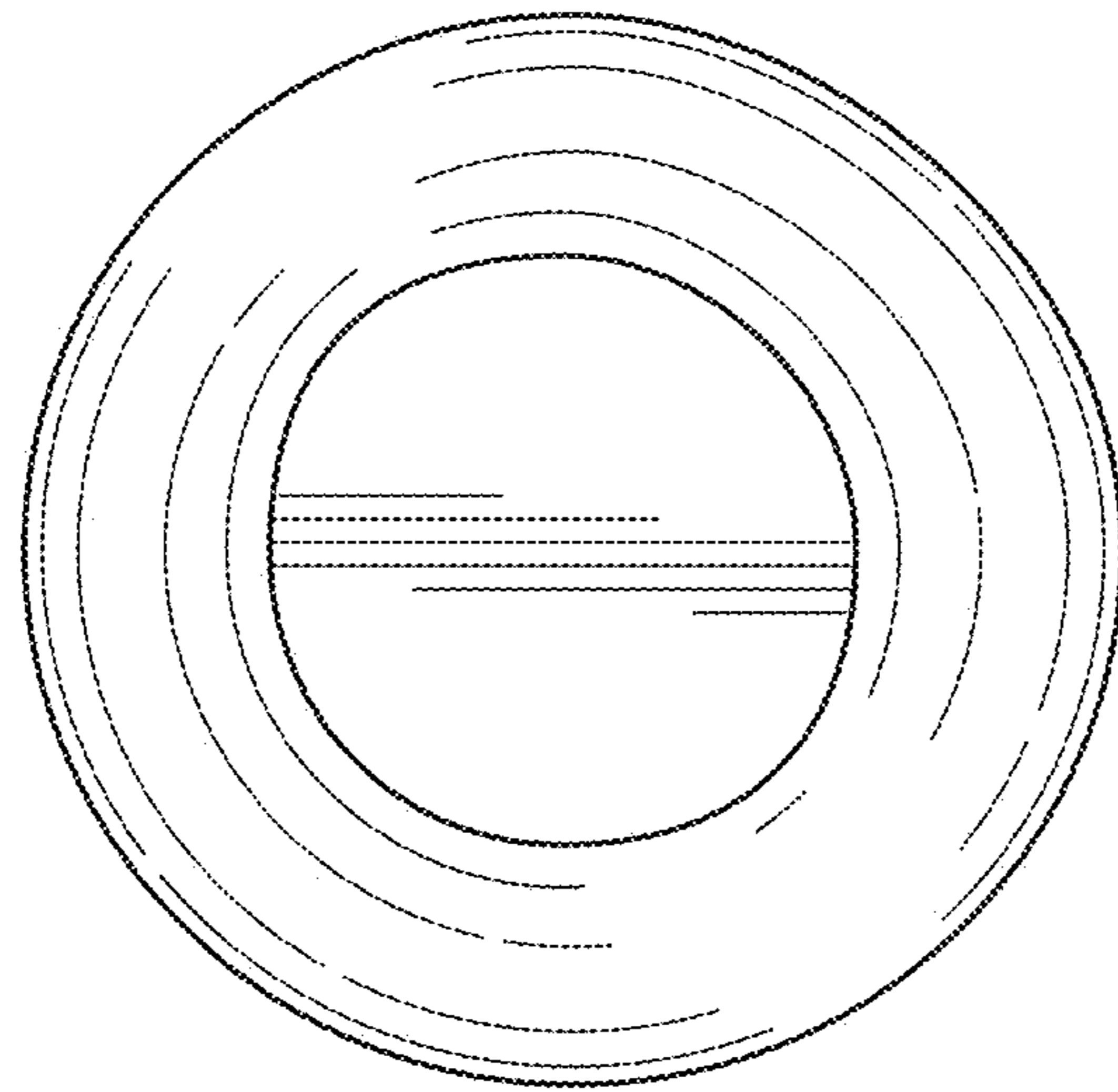


FIG. 7