



US00D953863S

(12) **United States Design Patent**  
**Ou**

(10) **Patent No.:** **US D953,863 S**

(45) **Date of Patent:** **\*\* Jun. 7, 2022**

(54) **GLASS CONTAINER TOP**

(71) Applicant: **R.Y.L. Inc.**, Commerce, CA (US)

(72) Inventor: **Suk Hwan Ou**, Commerce, CA (US)

(73) Assignee: **R.Y.L. INC.**, Commerce, CA (US)

(\*\*) Term: **15 Years**

(21) Appl. No.: **29/751,018**

(22) Filed: **Sep. 17, 2020**

**Related U.S. Application Data**

(63) Continuation-in-part of application No. 29/739,220, filed on Jun. 23, 2020.

(51) **LOC (13) Cl.** ..... **09-01**

(52) **U.S. Cl.**  
USPC ..... **D9/503; D9/454**

(58) **Field of Classification Search**  
USPC ..... D9/434, 454, 500, 502-504, 516, 530,  
D9/537, 539-540, 548-549, 558, 645,  
D9/682, 686, 690, 715, 719; D28/73, 88  
CPC ..... B65D 1/00; B65D 1/02; B65D 1/0223;  
B65D 2501/00; B65D 2501/0009; A45D  
34/042; A45D 34/045  
See application file for complete search history.

(56) **References Cited**

**U.S. PATENT DOCUMENTS**

D57,488 S \* 4/1921 Vivaudou ..... D9/503  
D446,456 S \* 8/2001 Adachi ..... D9/504

D500,678 S \* 1/2005 Park ..... D9/502  
D563,795 S \* 3/2008 Canamasas Puigbo ..... D9/573  
D566,388 S \* 4/2008 Nevins ..... D3/263  
D659,539 S \* 5/2012 Bakic ..... D9/503  
D733,555 S \* 7/2015 Brady ..... D9/428  
D852,630 S \* 7/2019 Nagata ..... D9/503

\* cited by examiner

*Primary Examiner* — Dana Meyrow

(74) *Attorney, Agent, or Firm* — Womble Bond Dickinson (US) LLP

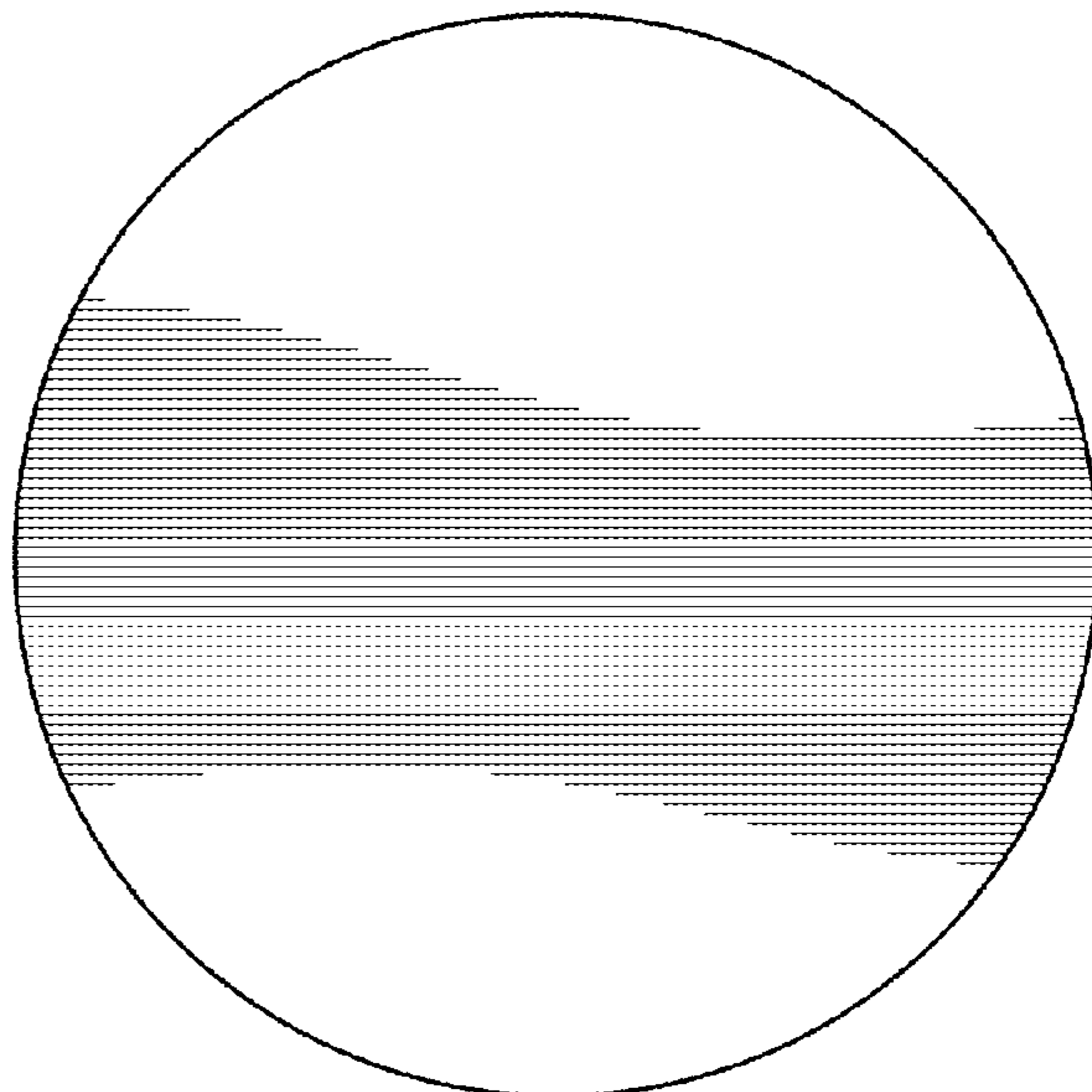
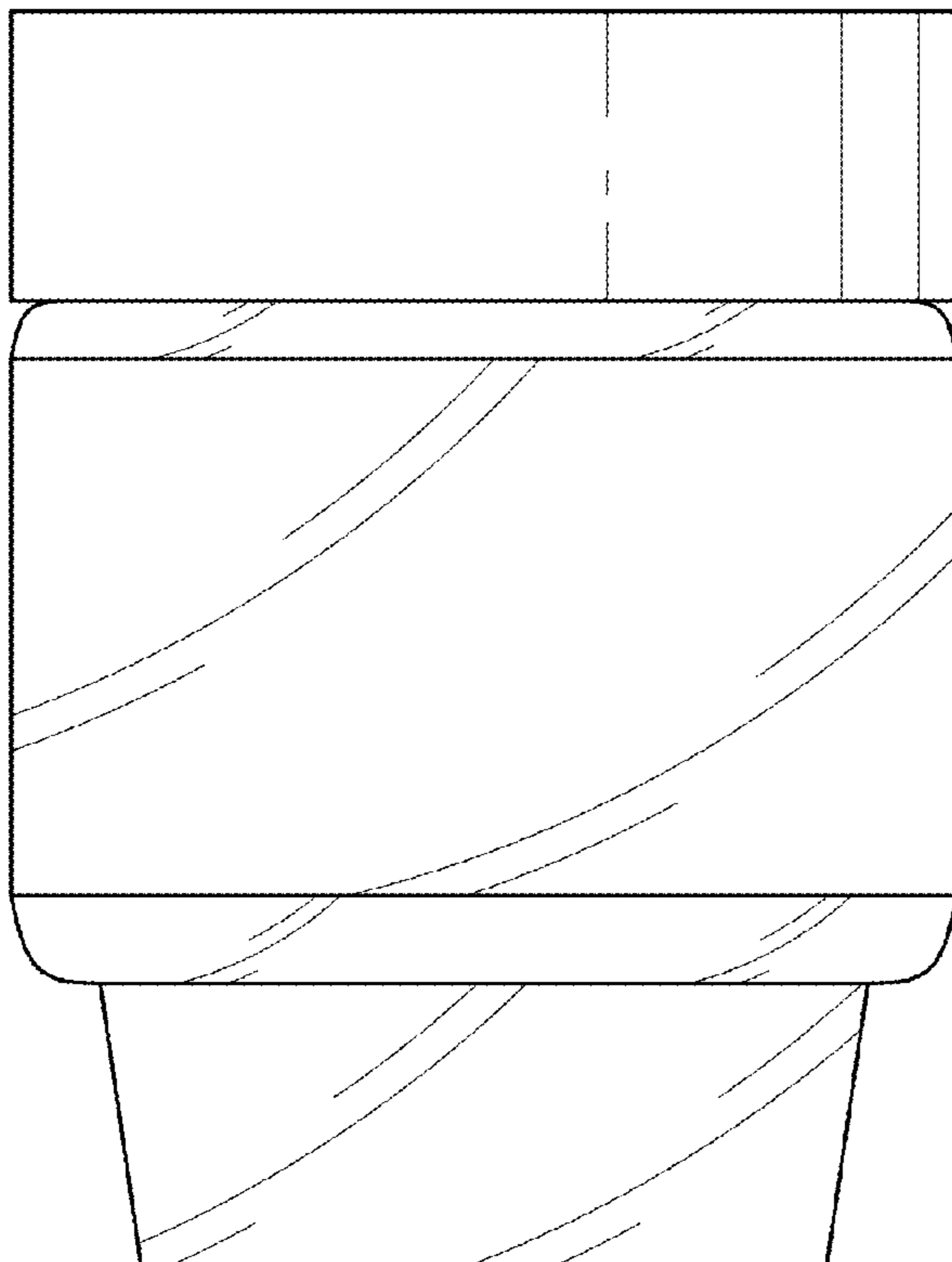
(57) **CLAIM**

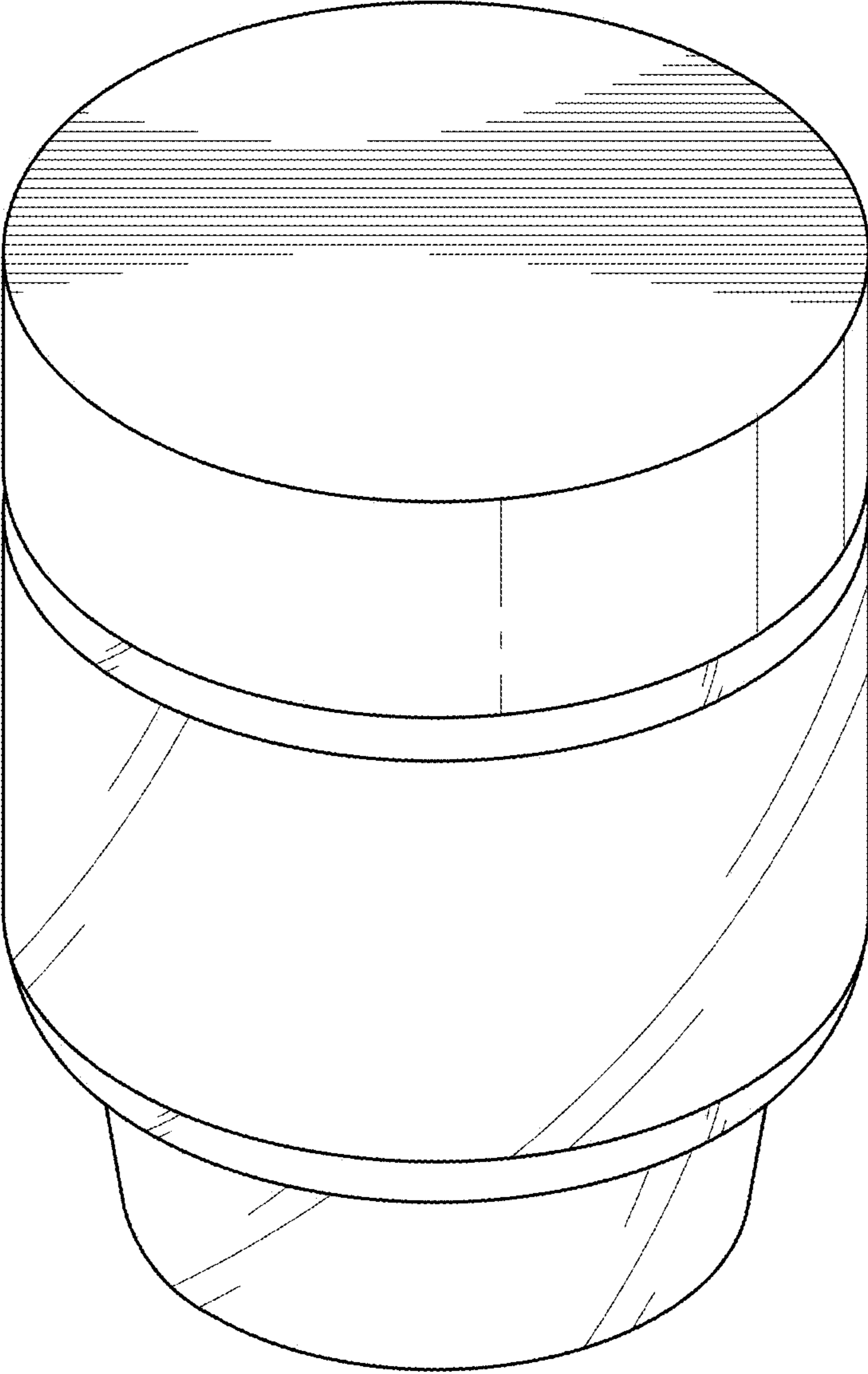
The ornamental design for glass container top, as shown and described.

**DESCRIPTION**

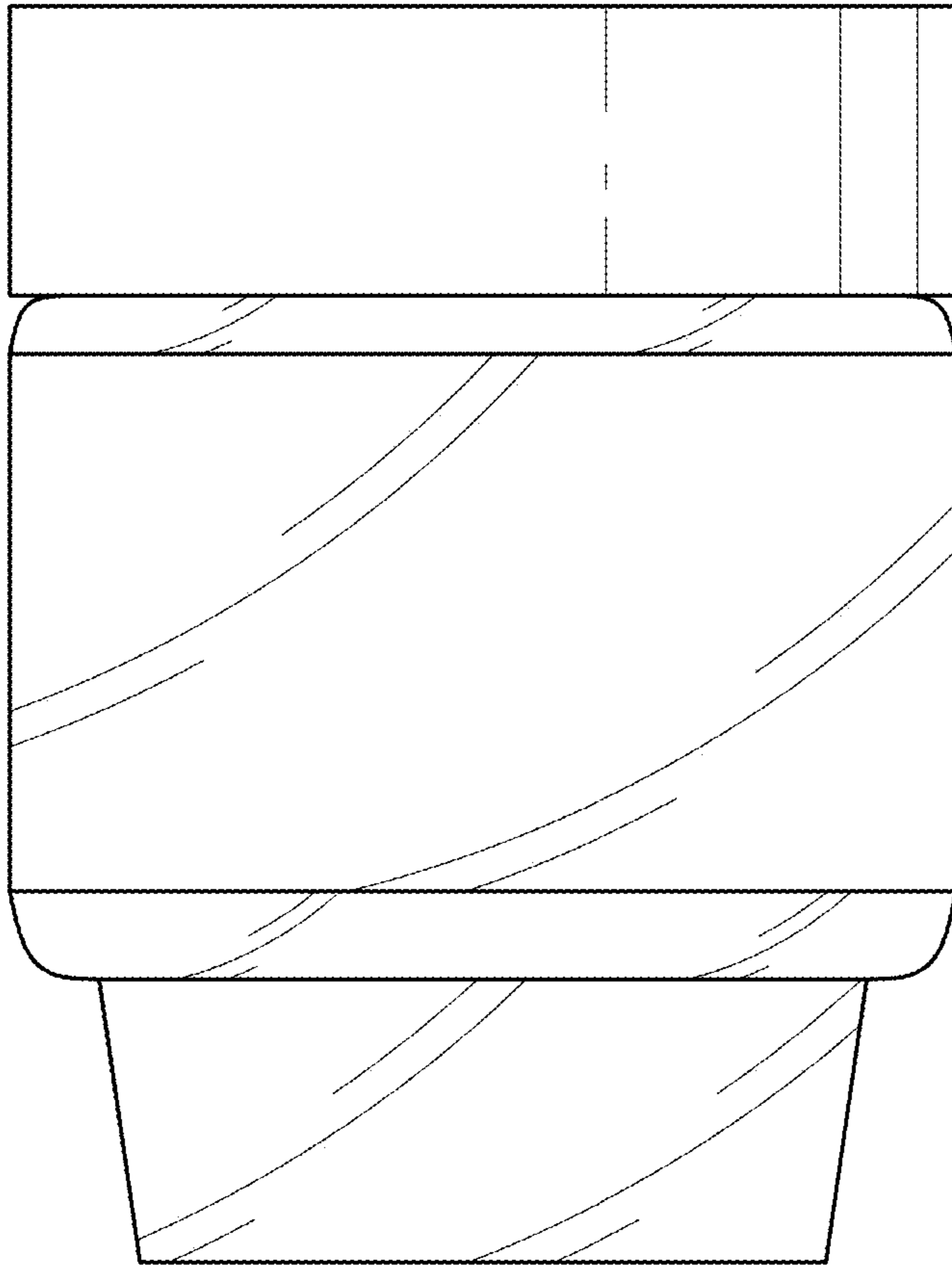
FIG. 1 is a perspective view showing my new design with cap and container attached;  
FIG. 2 is a front elevation view thereof, a rear elevation view thereof being the same;  
FIG. 3 is a side elevation view thereof, other side elevation views thereof being the same;  
FIG. 4 is a top plan view thereof;  
FIG. 5 is a bottom plan view thereof; and,  
FIG. 6 is a perspective view thereof with cap and container separated.

**1 Claim, 4 Drawing Sheets**

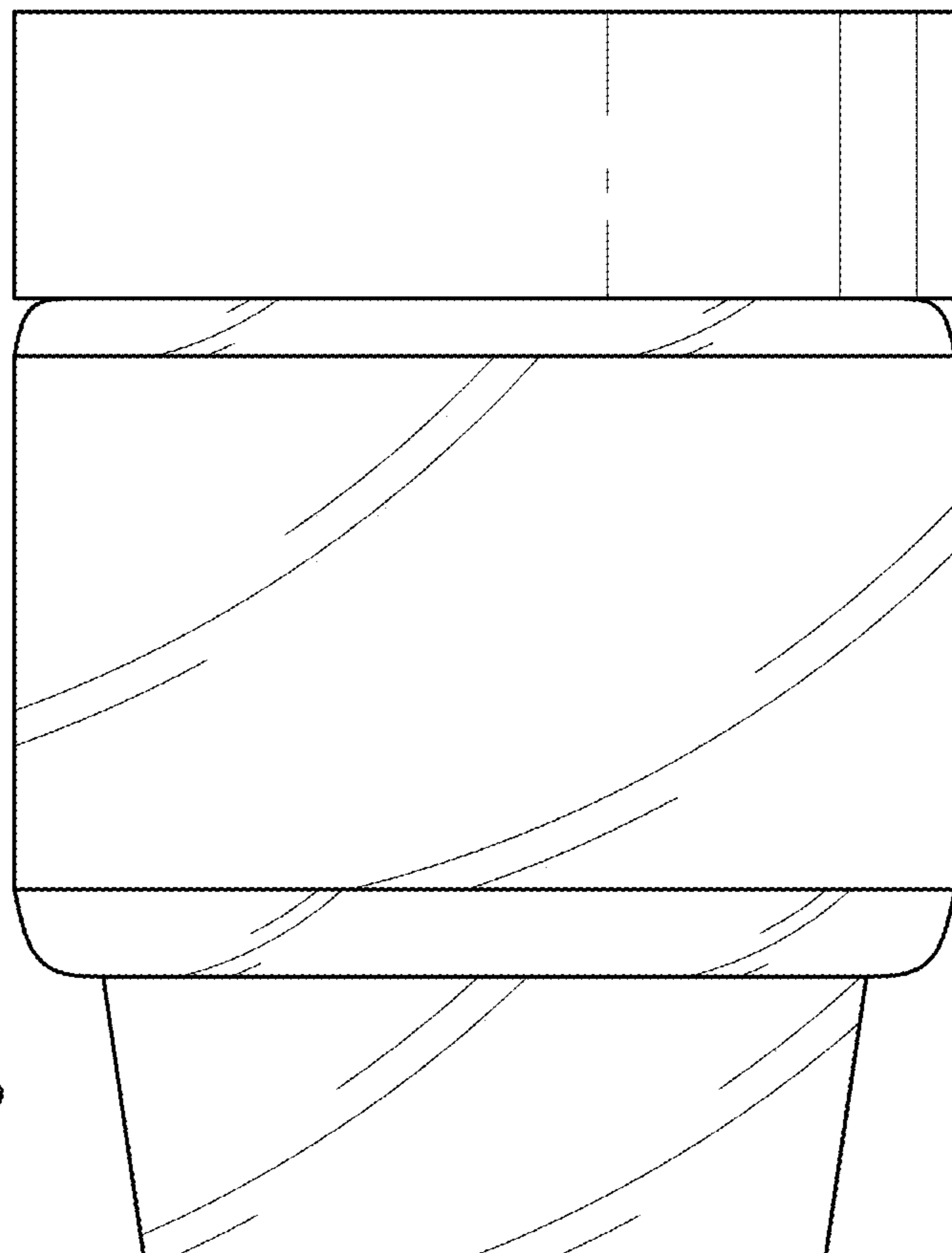




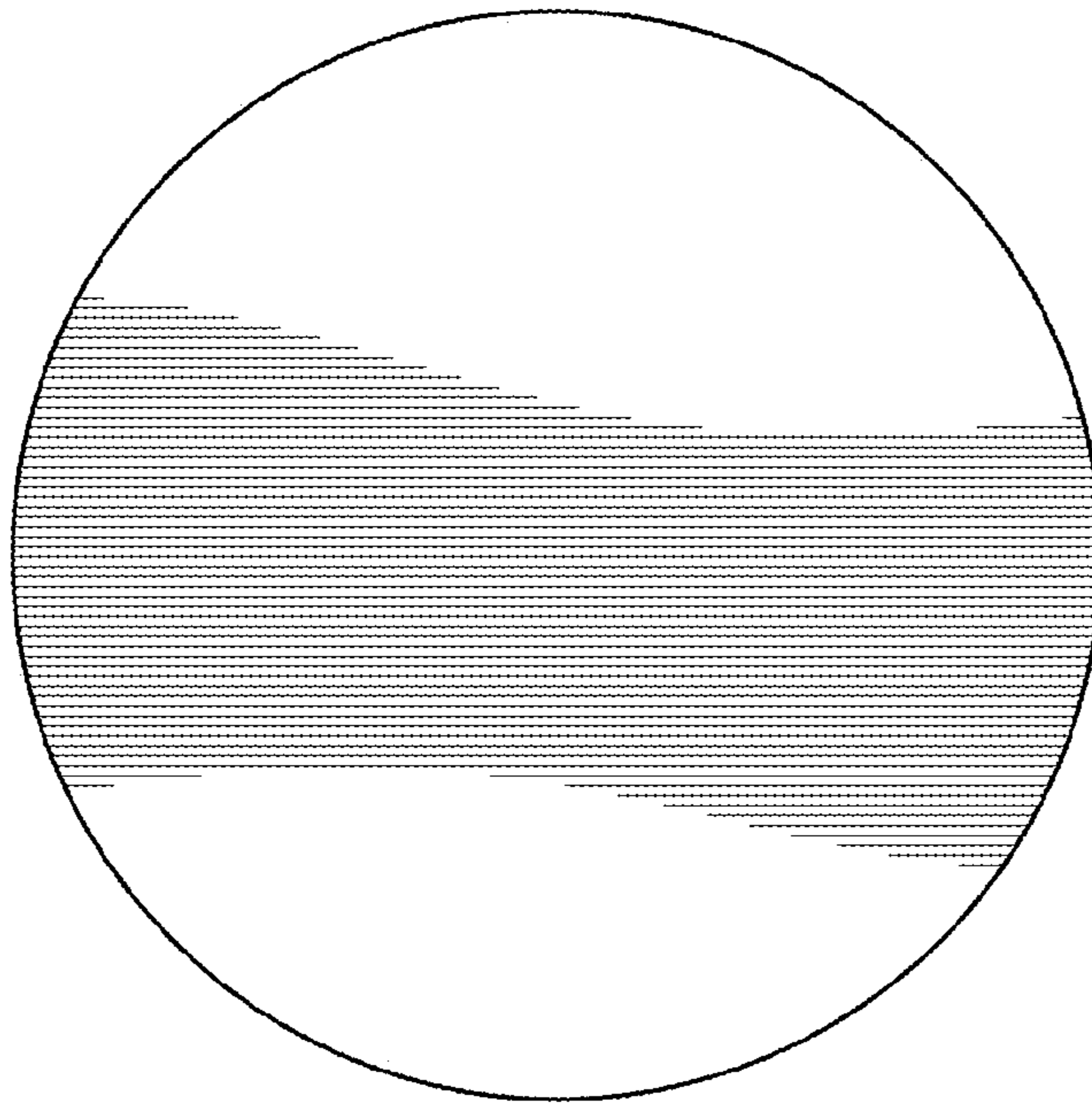
*FIG. 1*



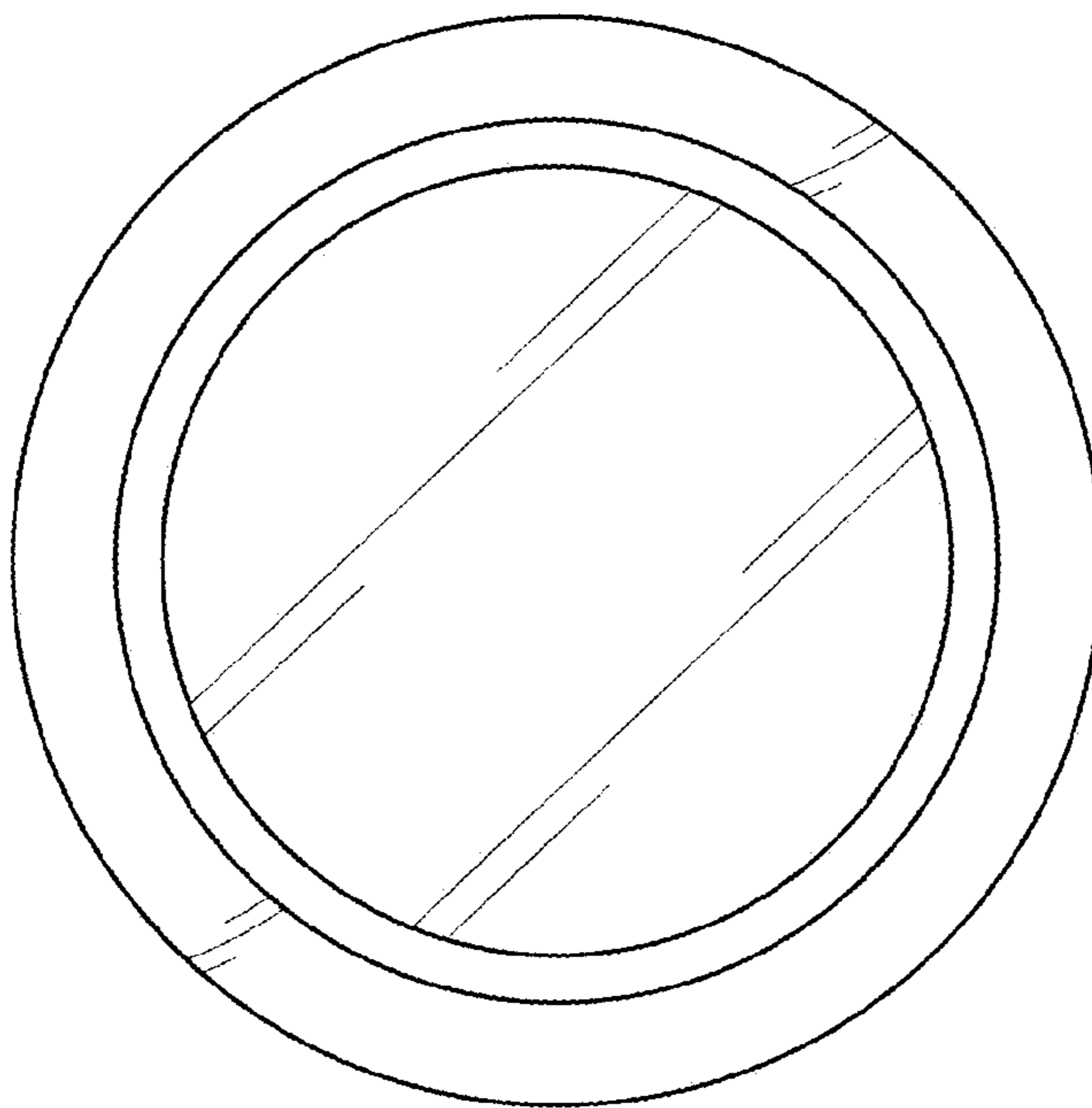
*FIG. 2*



*FIG. 3*



*FIG. 4*



*FIG. 5*

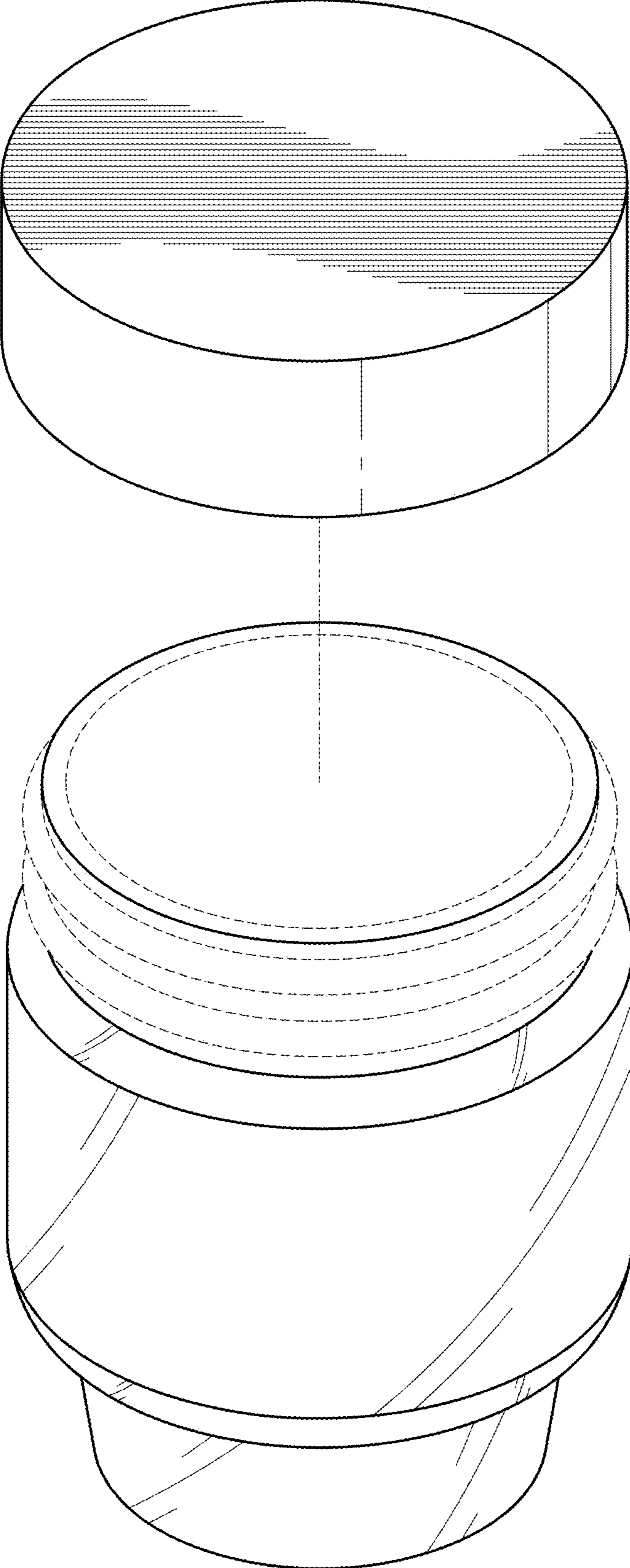


FIG. 6