



US00D953862S

(12) **United States Design Patent**
LaPierre

(10) **Patent No.:** **US D953,862 S**
(45) **Date of Patent:** **** Jun. 7, 2022**

(54) **DISPENSING CAP**

- (71) Applicant: **Zarbee's Inc.**, Greenwich, CT (US)
- (72) Inventor: **Melissa LaPierre**, Greenwich, CT (US)
- (73) Assignee: **Johnson & Johnson Consumer, Inc.**, Skillman, NJ (US)
- (**) Term: **15 Years**
- (21) Appl. No.: **29/735,864**
- (22) Filed: **May 26, 2020**

Related U.S. Application Data

- (62) Division of application No. 29/709,515, filed on Oct. 15, 2019, now Pat. No. Des. 887,845.

(51) **LOC (13) Cl.** **09-01**

(52) **U.S. Cl.**
USPC **D9/452; D9/444; D9/454**

(58) **Field of Classification Search**

USPC D9/434-436, 444-445, 447, 451-452, D9/454, 500, 503-505, 516, 530, D9/537-540, 544-545, 549, 558, D9/715-716, 719; D7/608; D10/46.2, D10/96, 101

CPC B65D 1/00; B65D 1/02; B65D 1/0223; B65D 1/023; B65D 2501/00; B65D 2501/0009

See application file for complete search history.

(56) **References Cited**

U.S. PATENT DOCUMENTS

D58,689 S	*	8/1921	Senften	D9/600
D182,000 S	*	1/1958	Reed	D9/600
D197,308 S	*	1/1964	Reed	D9/502
D215,704 S	*	10/1969	Vuilleminot	D9/452
D220,995 S	*	6/1971	Plummer	D9/500
D258,045 S	*	1/1981	Collins	D9/500

D302,790 S	*	8/1989	Roe	D9/640
D319,178 S	*	8/1991	Katada	D9/697
D321,643 S	*	11/1991	Katada	D9/502
D321,644 S	*	11/1991	Katada	D9/503
D321,645 S	*	11/1991	Katada	D9/503
D326,223 S	*	5/1992	Dova	D9/452
D362,389 S	*	9/1995	Frye	D9/452
D405,372 S	*	2/1999	Yucknut	D9/504
D407,632 S	*	4/1999	Kunesh	D9/445
D415,031 S	*	10/1999	Mahlmann	D9/520
D461,420 S	*	8/2002	Kerman	D10/46.2
D499,026 S	*	11/2004	Kunesh	D9/521
D536,277 S	*	2/2007	Cabeza	D11/152
D614,030 S	*	4/2010	Kuzma	D9/500
D685,637 S	*	7/2013	Colon	D9/500
D739,782 S	*	9/2015	Pettigrew	D11/152
D761,112 S	*	7/2016	Komai	D9/529
D800,560 S	*	10/2017	Lang	D9/500
D801,179 S	*	10/2017	McGreevy	D9/500
D836,459 S	*	12/2018	Thuesen	D9/716
D839,741 S	*	2/2019	Hawry	D9/504

(Continued)

Primary Examiner — Dana Meyrow

(74) *Attorney, Agent, or Firm* — Michelle A. Cristaldi

(57) **CLAIM**

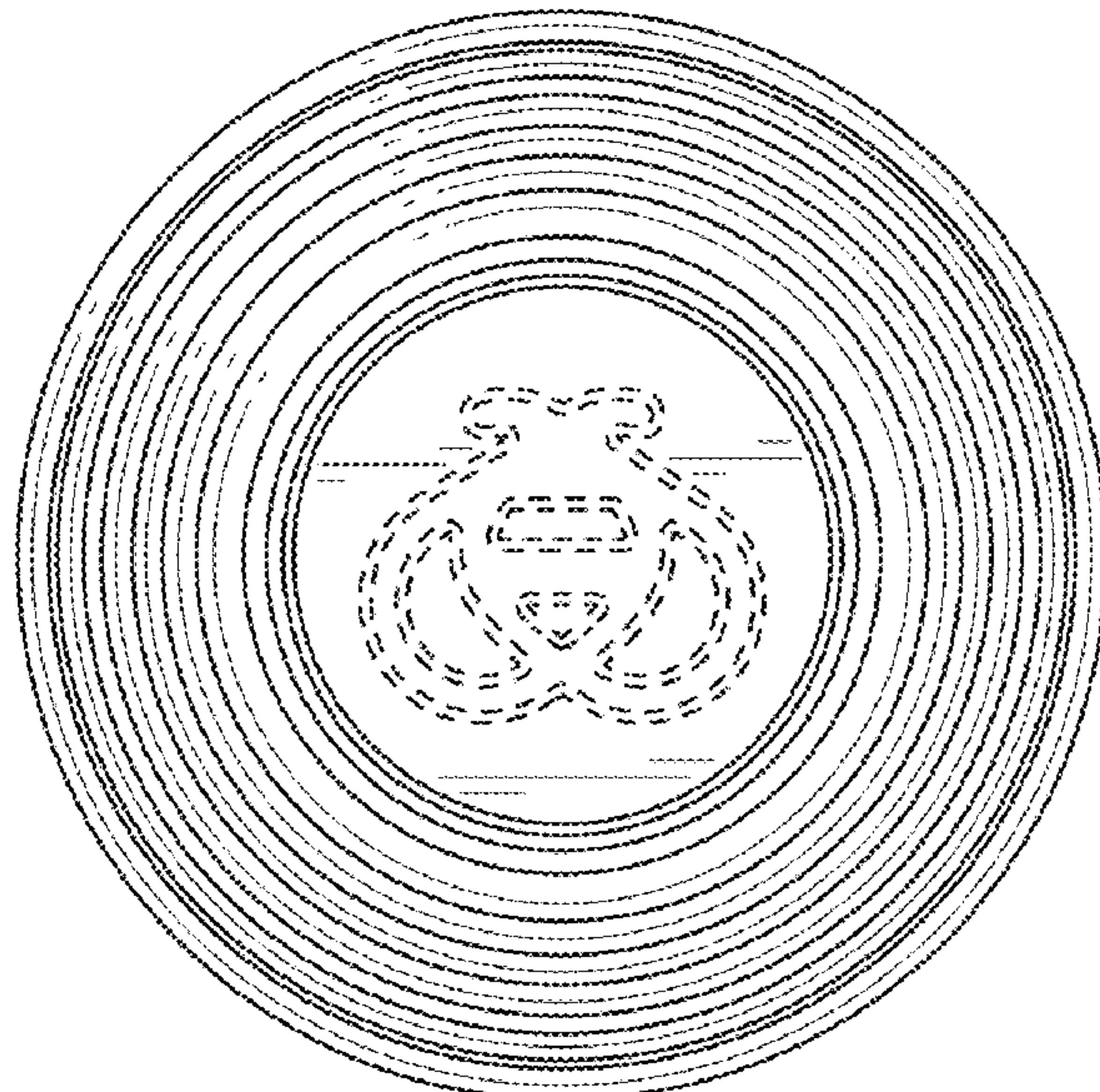
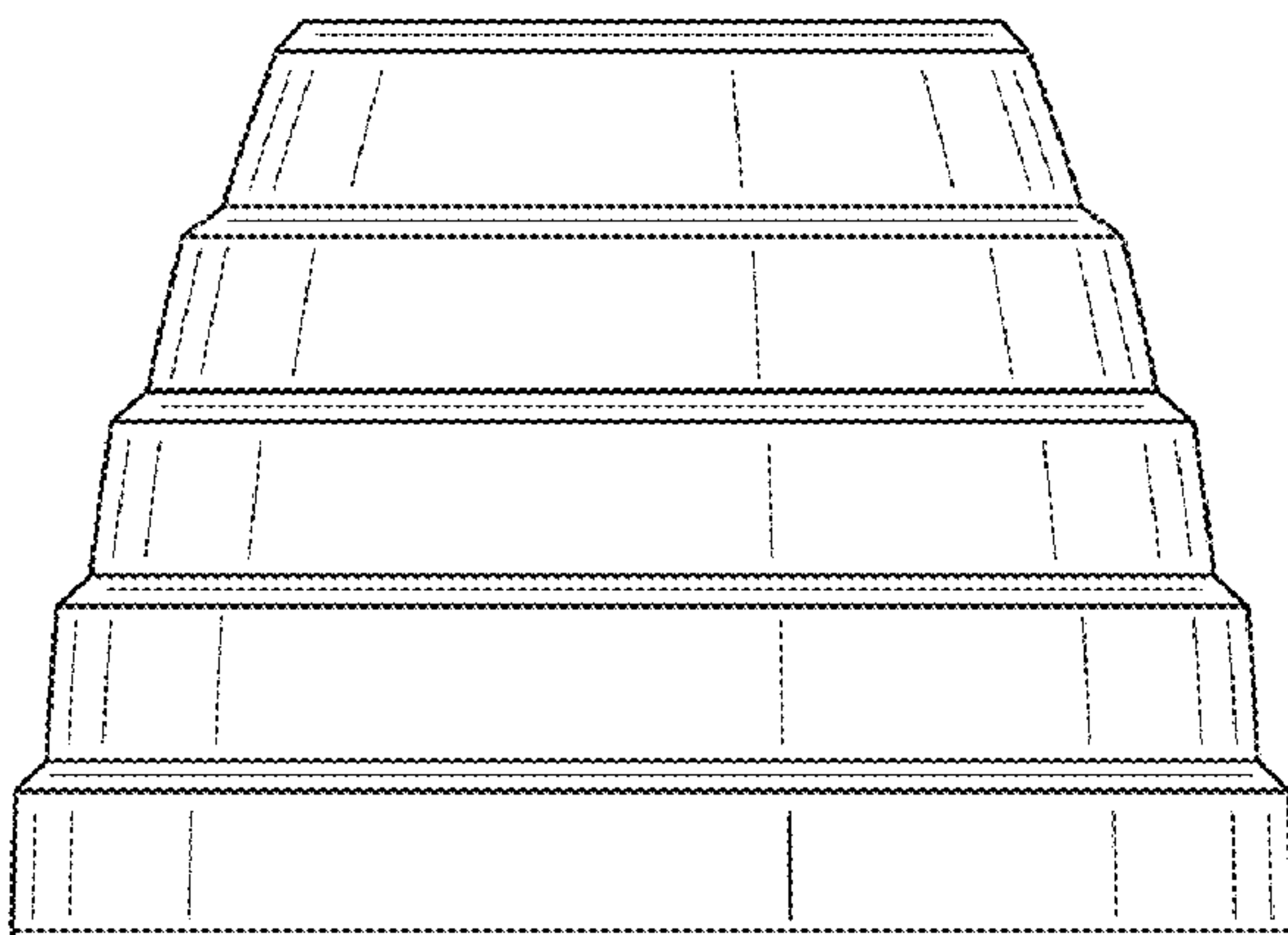
The ornamental design for a dispensing cap, substantially as shown and described.

DESCRIPTION

FIG. 1 is a perspective view of a dispensing cap in showing my new design;
 FIG. 2 is a front elevation view thereof, the rear elevation view being identical;
 FIG. 3 is a top plan view thereof; and,
 FIG. 4 is a bottom plan view thereof.

The ornamental design which is claimed is shown in solid lines in the drawings. The broken lines are shown for the purpose of illustrating portions of the dispensing cap and form no part of the claimed design.

1 Claim, 3 Drawing Sheets



(56)

References Cited

U.S. PATENT DOCUMENTS

D871,151 S	*	12/2019	Hudson	D7/532
D873,070 S	*	1/2020	Frings	D7/392
D887,845 S	*	6/2020	LaPierre	D9/503
D907,499 S	*	1/2021	Margetis	D9/503

* cited by examiner

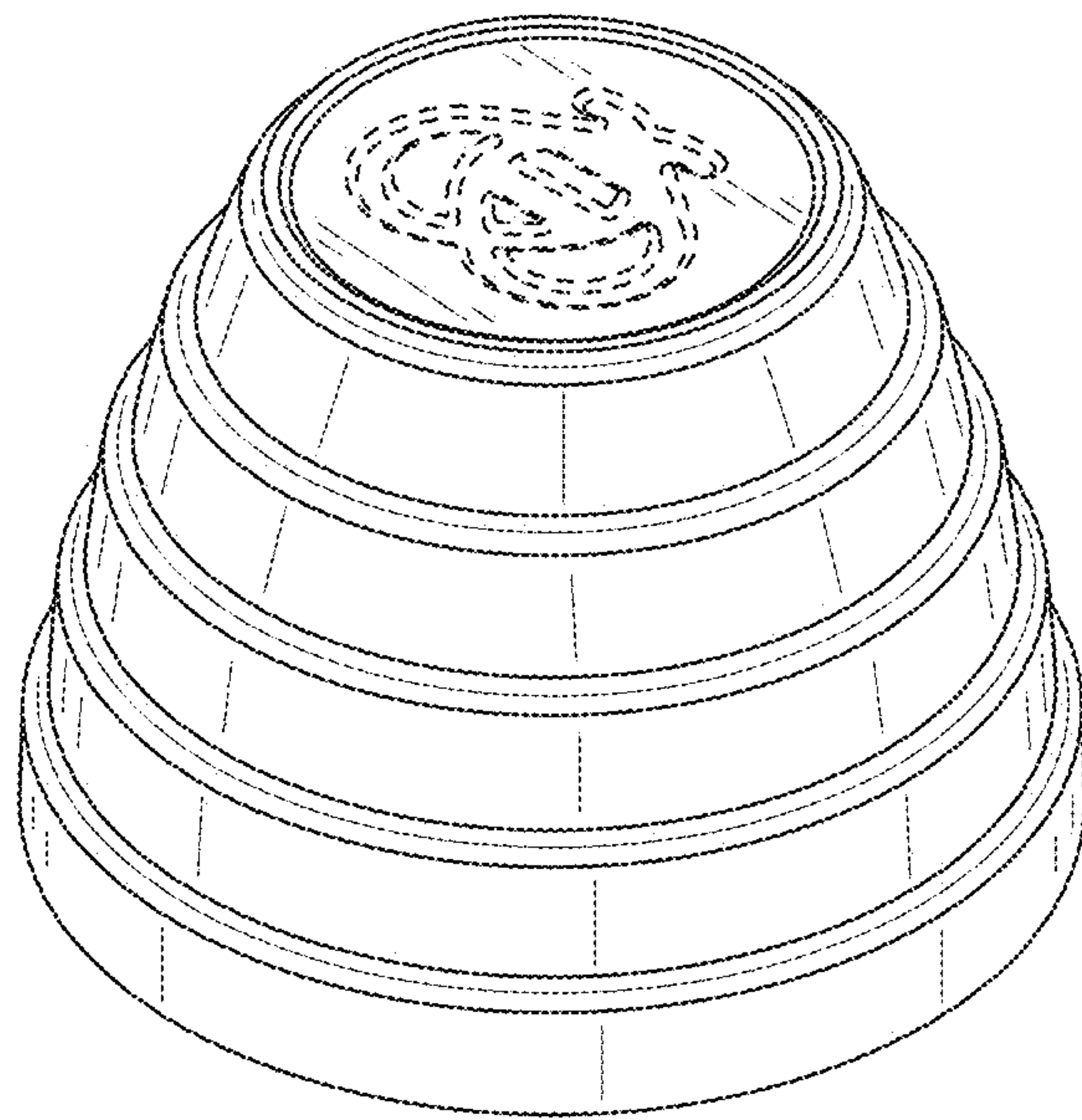


FIG. 1

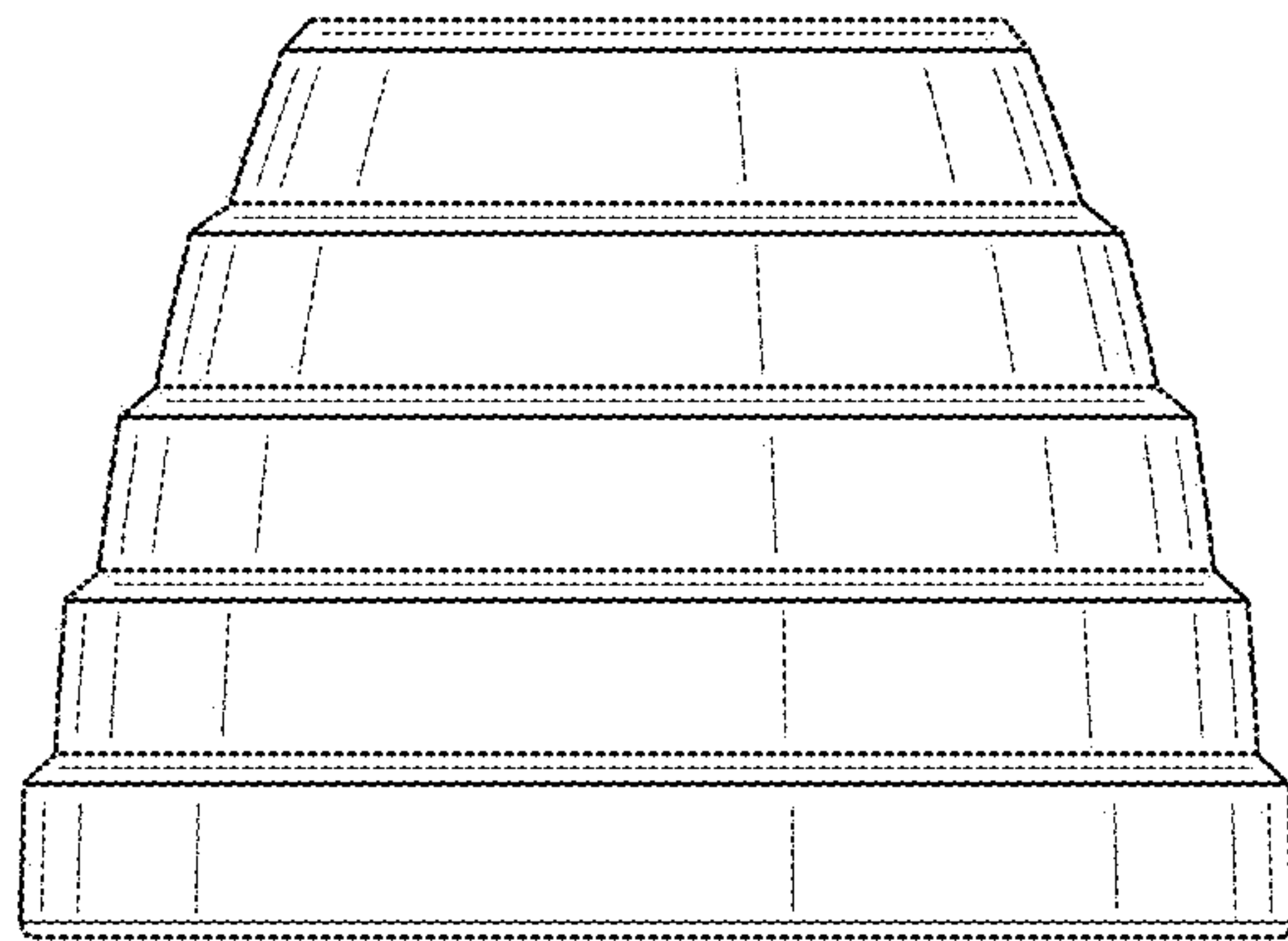


FIG. 2

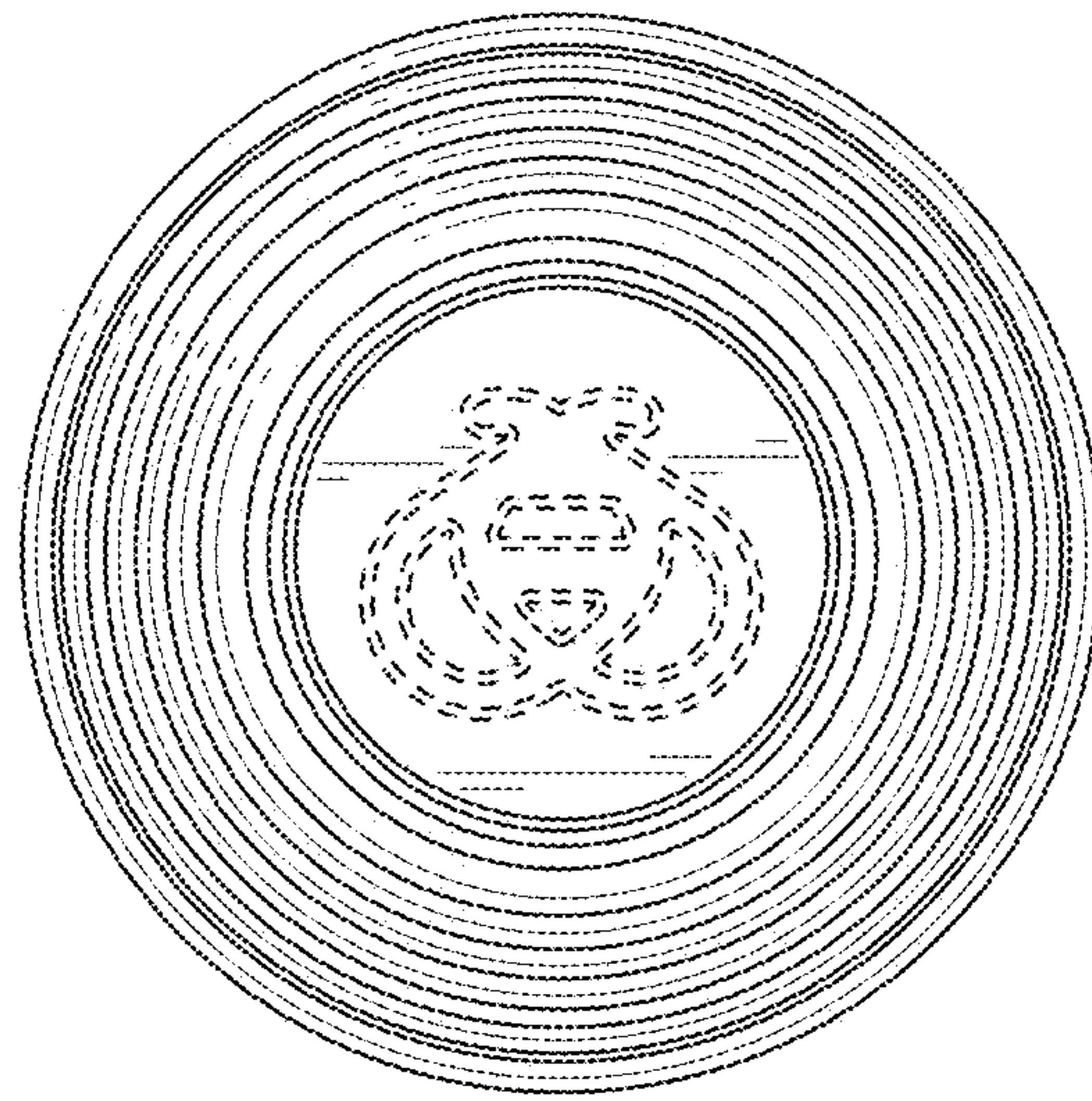


FIG. 3

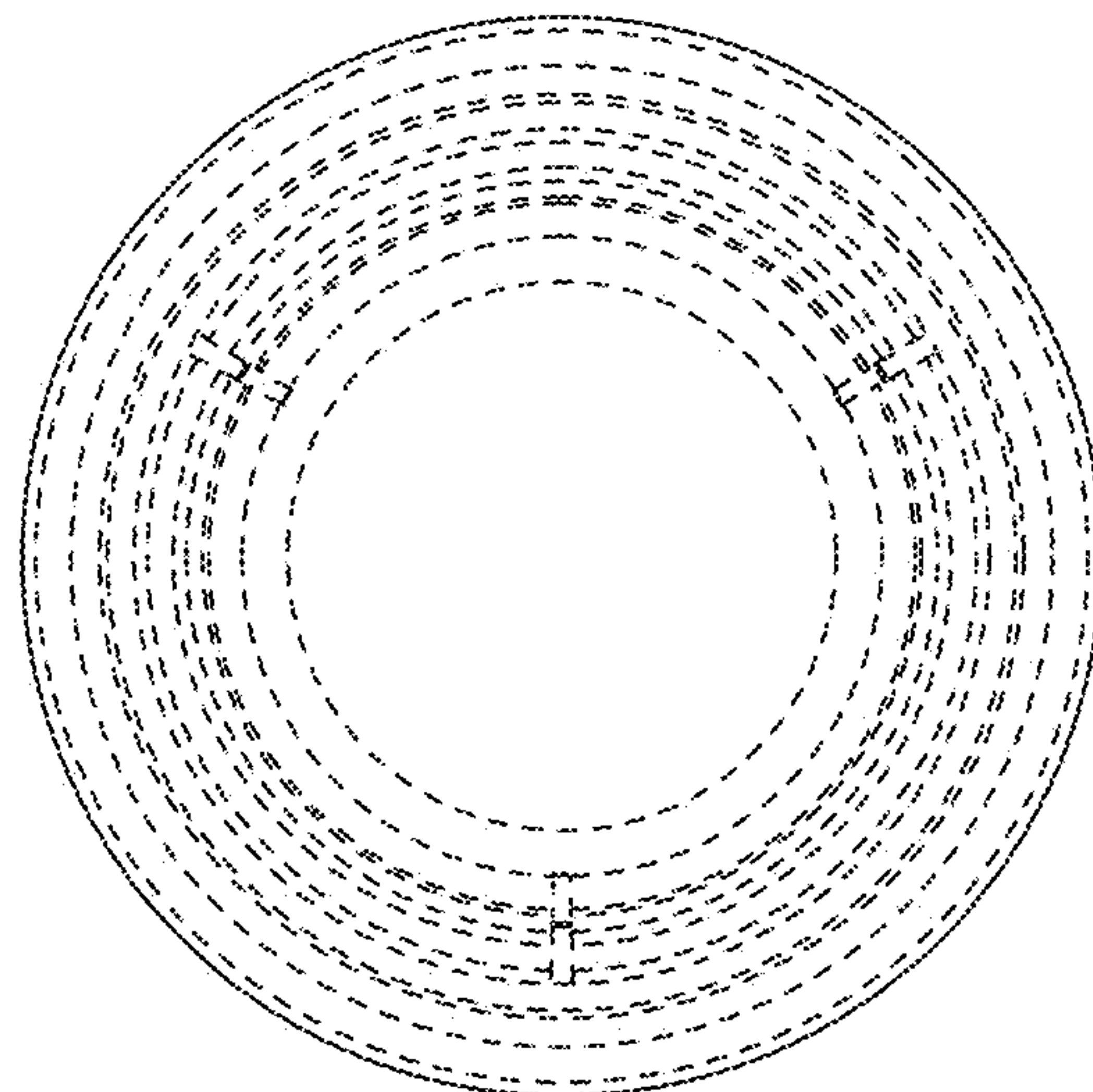


FIG. 4