



US00D953860S

(12) **United States Design Patent** (10) **Patent No.:** **US D953,860 S**
Sines (45) **Date of Patent:** **** Jun. 7, 2022**

(54) **BEVERAGE CAN COVER**
(71) Applicant: **Randy D. Sines**, Tucson, AZ (US)
(72) Inventor: **Randy D. Sines**, Tucson, AZ (US)
(**) Term: **15 Years**
(21) Appl. No.: **29/800,932**
(22) Filed: **Jul. 25, 2021**

D368,032 S * 3/1996 Couto D9/435
5,720,412 A * 2/1998 Ficken B65D 17/4012
220/730
5,813,559 A 9/1998 Ho Cho
6,247,608 B1 * 6/2001 Chang B65D 17/4012
220/269
D458,131 S * 6/2002 Weber D9/434
D458,844 S * 6/2002 Shea D9/447
D459,992 S * 7/2002 Olsen D9/447
D460,359 S * 7/2002 Olsen D9/447
6,443,323 B1 9/2002 De Rose
D471,808 S * 3/2003 de Castro Couto D9/435
D488,376 S * 4/2004 Chung D9/447

(Continued)

Related U.S. Application Data

(63) Continuation-in-part of application No. 17/377,741,
filed on Jul. 16, 2021.
(51) **LOC (13) Cl.** **09-01**
(52) **U.S. Cl.**
USPC **D9/447**; D9/434; D9/435; D9/454
(58) **Field of Classification Search**
USPC D9/434, 435, 443, 445, 447, 449, 450,
D9/453, 454, 763-783; D7/392.1
CPC A47G 19/2272; A47G 23/0266; A47G
19/2205; A47G 19/2211; B65D
2543/00046; B65D 43/02; B65D 51/18;
B65D 43/26
See application file for complete search history.

FOREIGN PATENT DOCUMENTS

CN 303611373 * 3/2016
GB 6084450 * 3/2020

Primary Examiner — Brett Miller
Assistant Examiner — Rani J Abdallah
(74) *Attorney, Agent, or Firm* — Eugene Vamos

(57) **CLAIM**

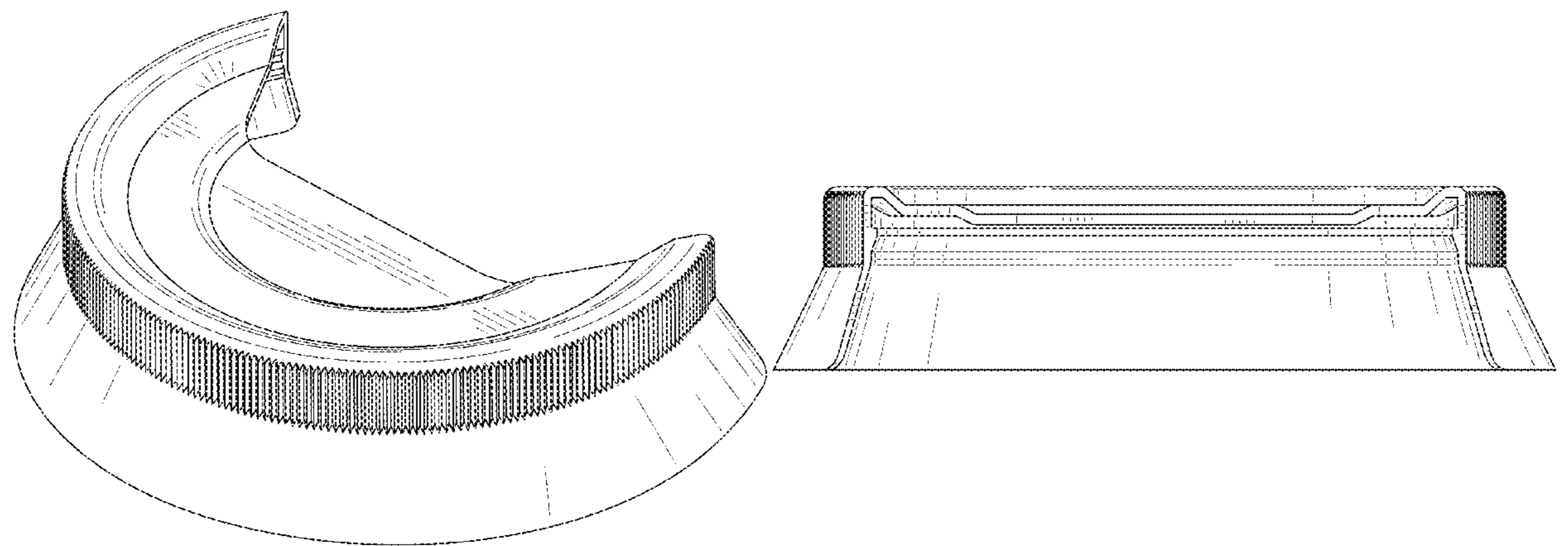
The ornamental design for a beverage can cover, as shown and described.

DESCRIPTION

FIG. 1 is a front left perspective view of a beverage can cover that fastens to the lid of a beverage can;
FIG. 2 is a front elevation view thereof;
FIG. 3 is a back elevation view thereof;
FIG. 4 is a right side elevation view thereof;
FIG. 5 is a left side elevation view thereof;
FIG. 6 is a top plan view thereof;
FIG. 7 is a bottom plan view thereof; and,
FIG. 8 is a front left perspective view thereof showing fastened environmental structure.
The broken lines are for environmental purposes only and form no part of the claimed design.

1 Claim, 6 Drawing Sheets

(56) **References Cited**
U.S. PATENT DOCUMENTS
D207,051 S * 2/1967 Bainbridge D9/447
D229,675 S * 12/1973 Kunez, Jr. D9/447
D233,124 S * 10/1974 Hawk D9/447
D286,268 S * 10/1986 Wolff D9/447
D296,080 S * 6/1988 Conte D9/434
4,852,763 A 8/1989 Dimberio
4,938,379 A * 7/1990 Kellner B65D 25/48
220/370
D312,785 S * 12/1990 Tucker D9/435
5,110,002 A * 5/1992 Tucker B65D 71/50
220/717
D363,666 S * 10/1995 Goto D9/449



(56)

References Cited

U.S. PATENT DOCUMENTS

D494,470 S * 8/2004 Guyot D9/435
6,910,598 B2 6/2005 Gotz
D571,164 S * 6/2008 Yelland D9/447
D612,237 S * 3/2010 Richey D9/447
D690,988 S * 10/2013 Audette D7/392.1
D696,954 S * 1/2014 Carro D9/434
D772,713 S * 11/2016 Chapman D9/434
D786,673 S * 5/2017 Moffat D7/392.1
D789,140 S * 6/2017 Joseph D7/392.1
D865,520 S * 11/2019 Löfholm D9/447
RE48,037 E * 6/2020 Marina B65D 41/18
D9/454
D906,807 S * 1/2021 Löfholm D9/447
D920,115 S * 5/2021 Lee D9/454
D930,474 S * 9/2021 Faragher D9/453
2003/0209512 A1 * 11/2003 Guyot A47G 19/2266
215/388
2009/0032531 A1 * 2/2009 Navare B65D 17/4014
220/254.1
2011/0108561 A1 * 5/2011 Bonin B65D 51/20
220/718
2012/0138621 A1 * 6/2012 Bratsch B65D 17/4014
220/780
2013/0221005 A1 8/2013 Raymond
2015/0041480 A1 * 2/2015 Ramsey B65D 51/007
220/758
2015/0197366 A1 * 7/2015 Chapin B65D 25/205
220/254.1
2018/0127154 A1 * 5/2018 Perez B65D 17/34
2018/0222641 A1 * 8/2018 Gilbert B65D 51/1683

* cited by examiner

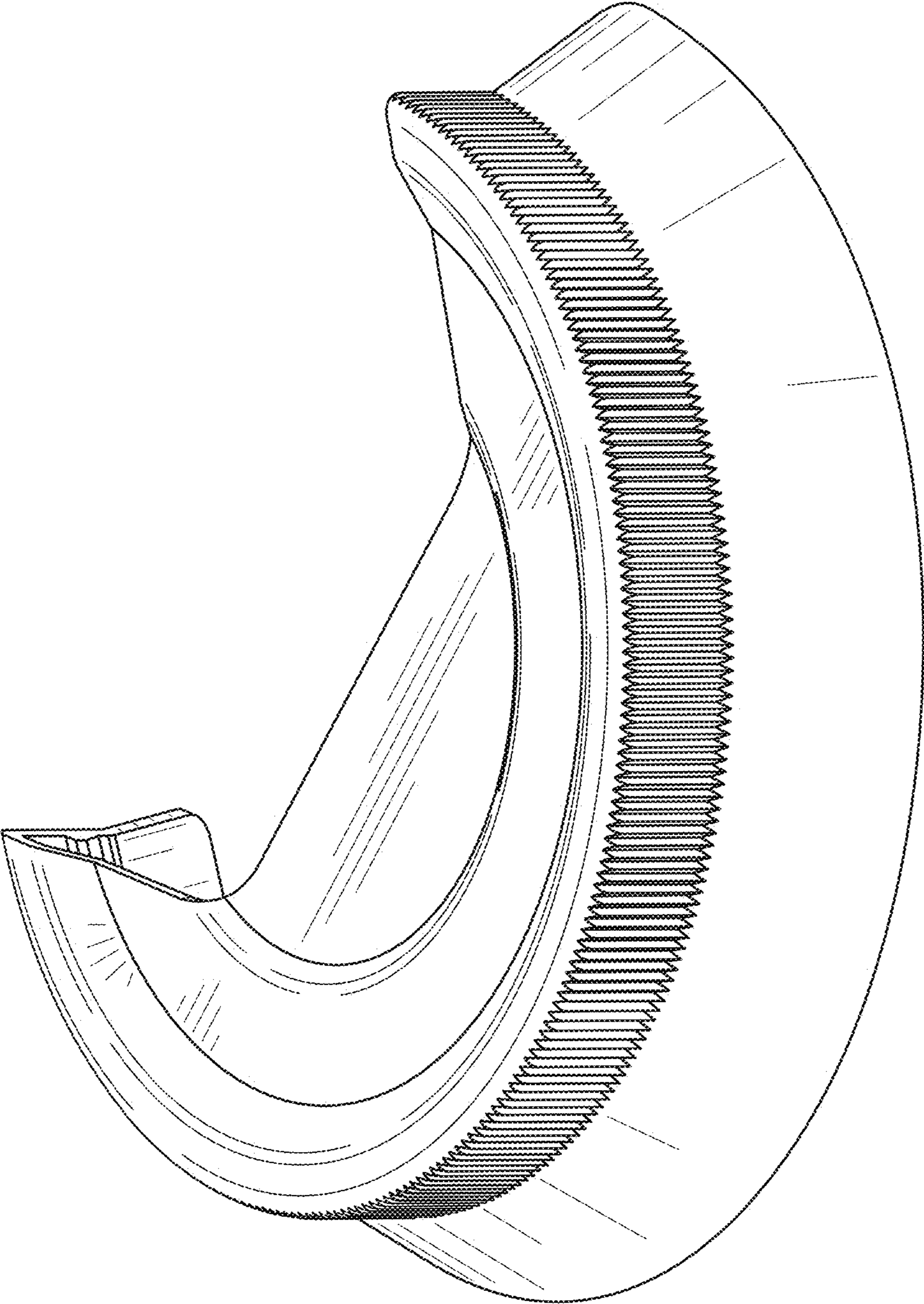


FIG. 1

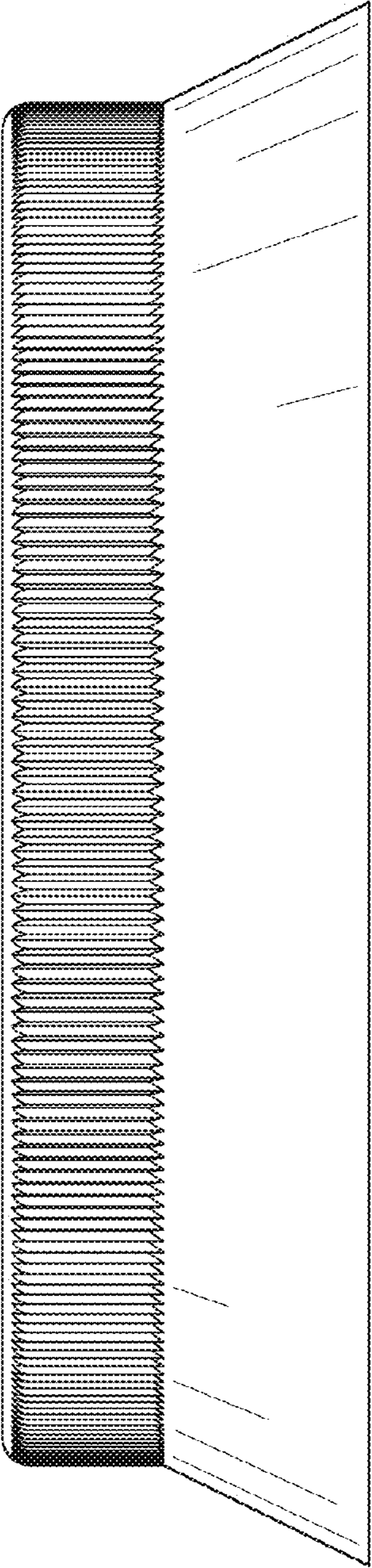


FIG. 2

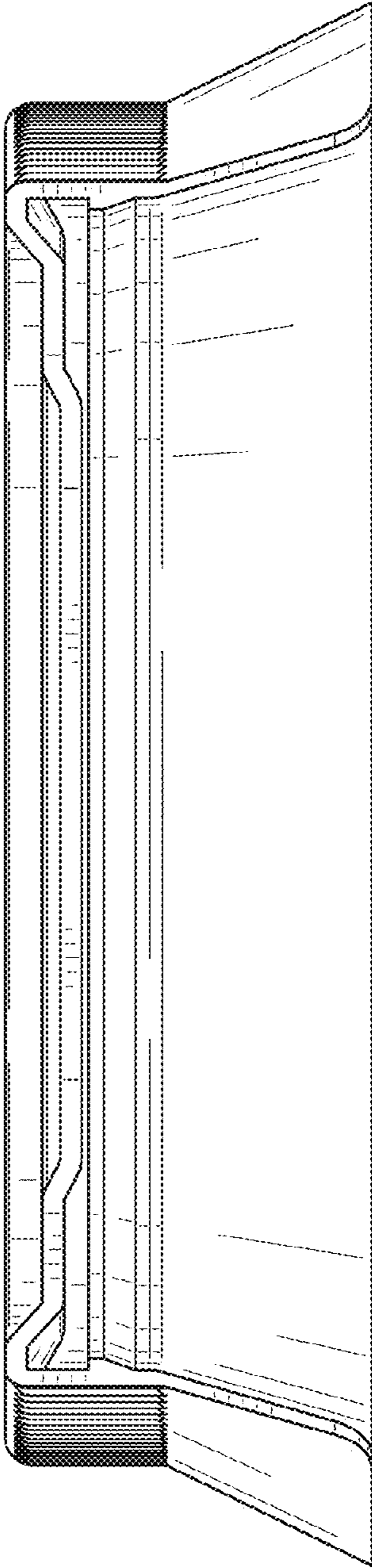


FIG. 3

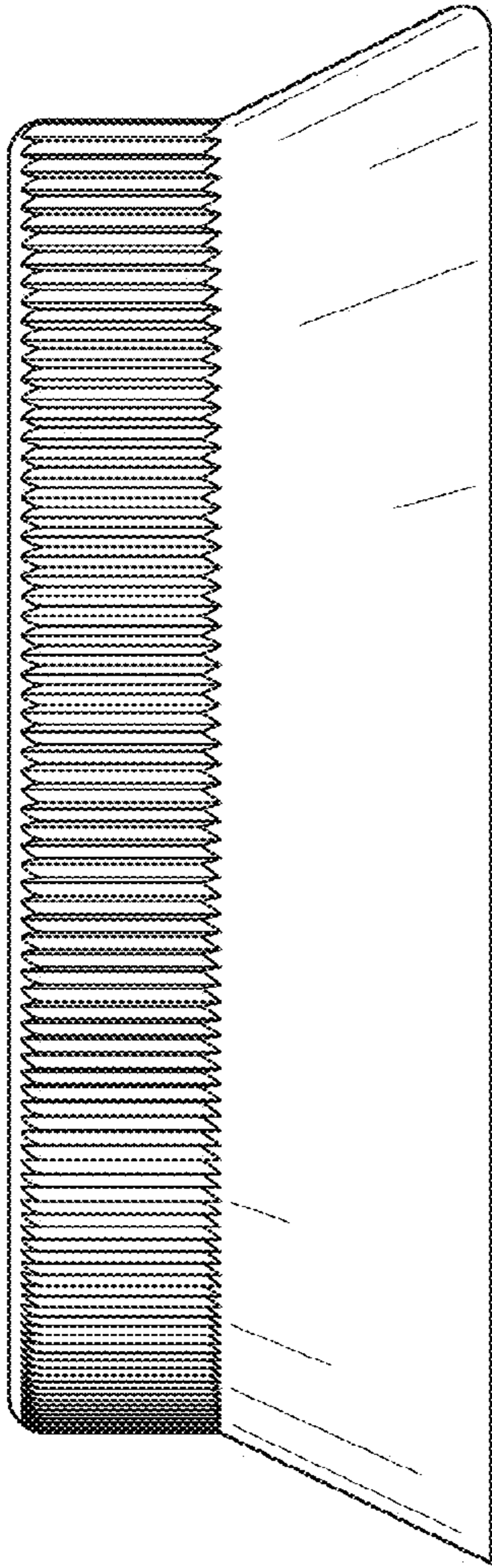


FIG. 4

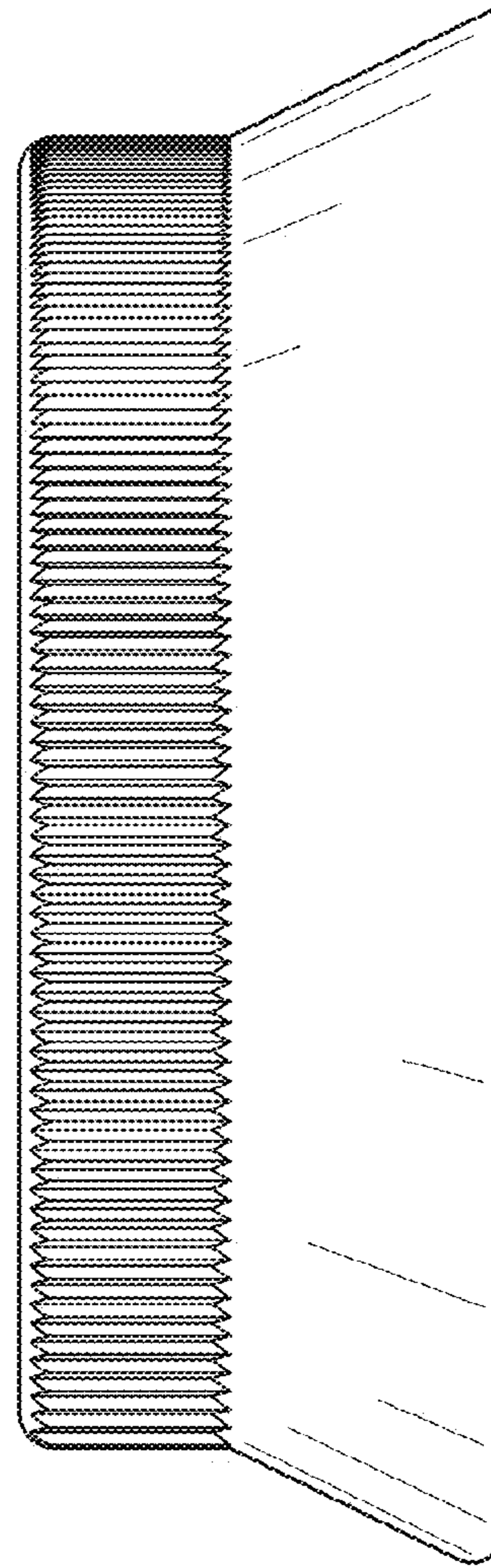


FIG. 5

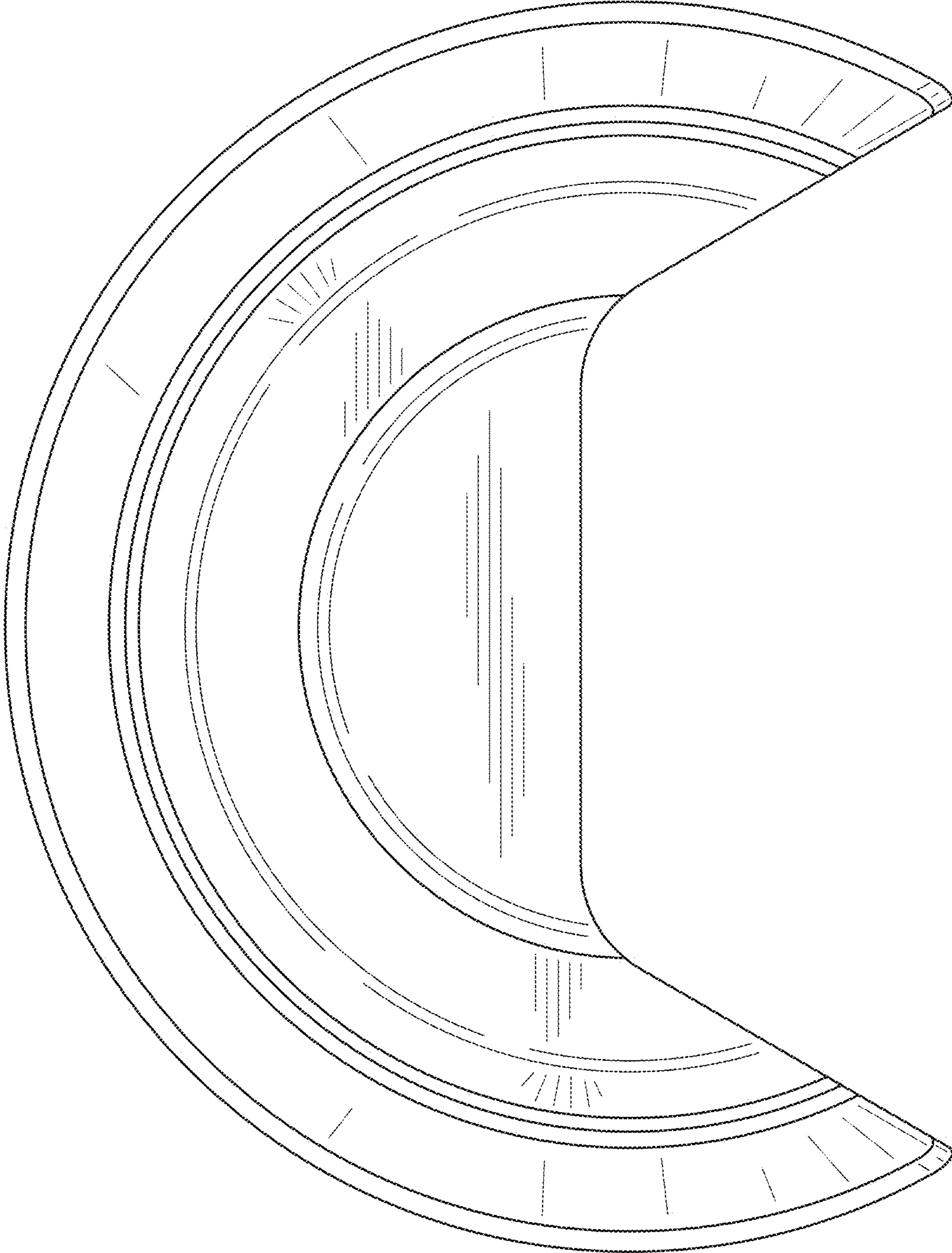


FIG. 6

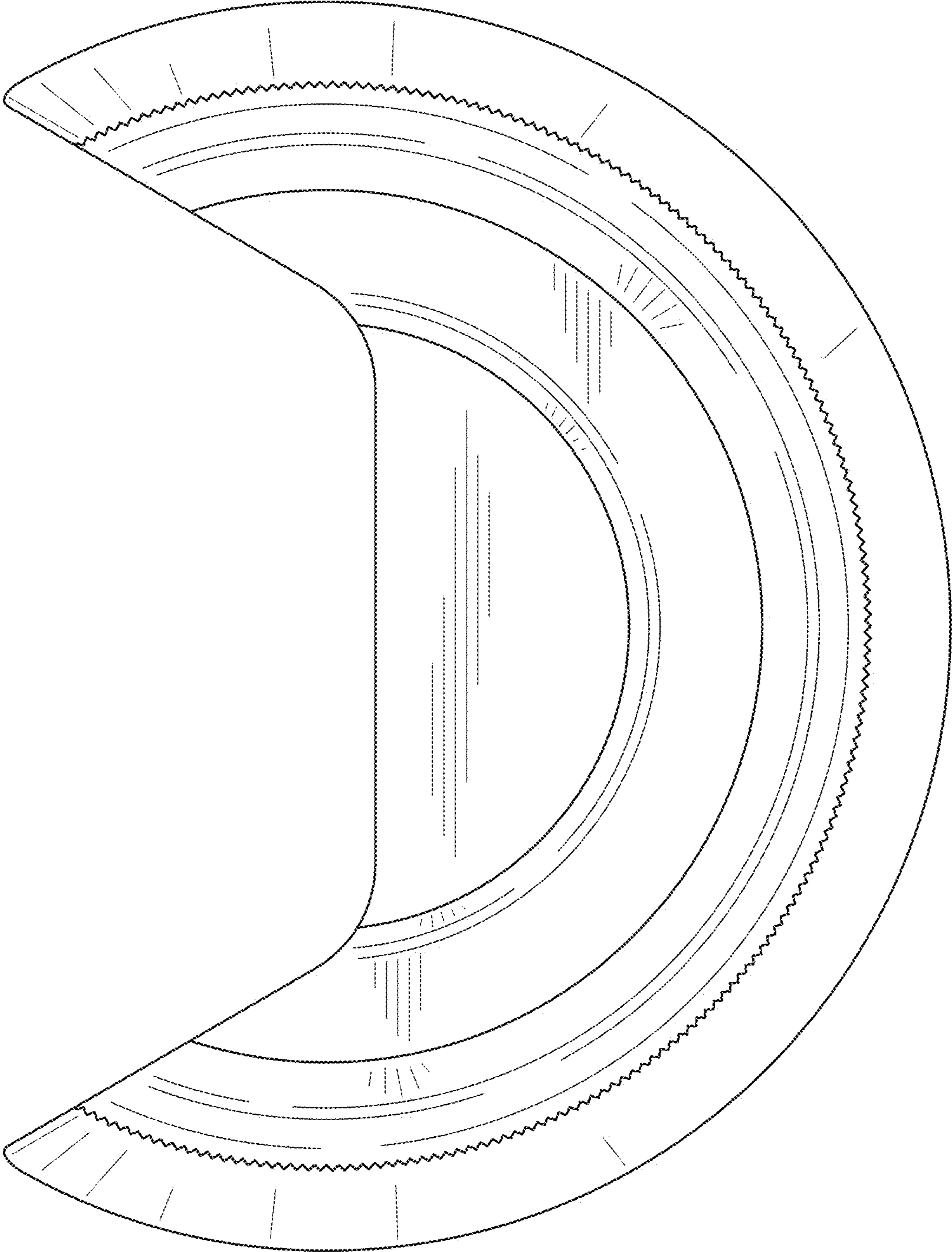


FIG. 7

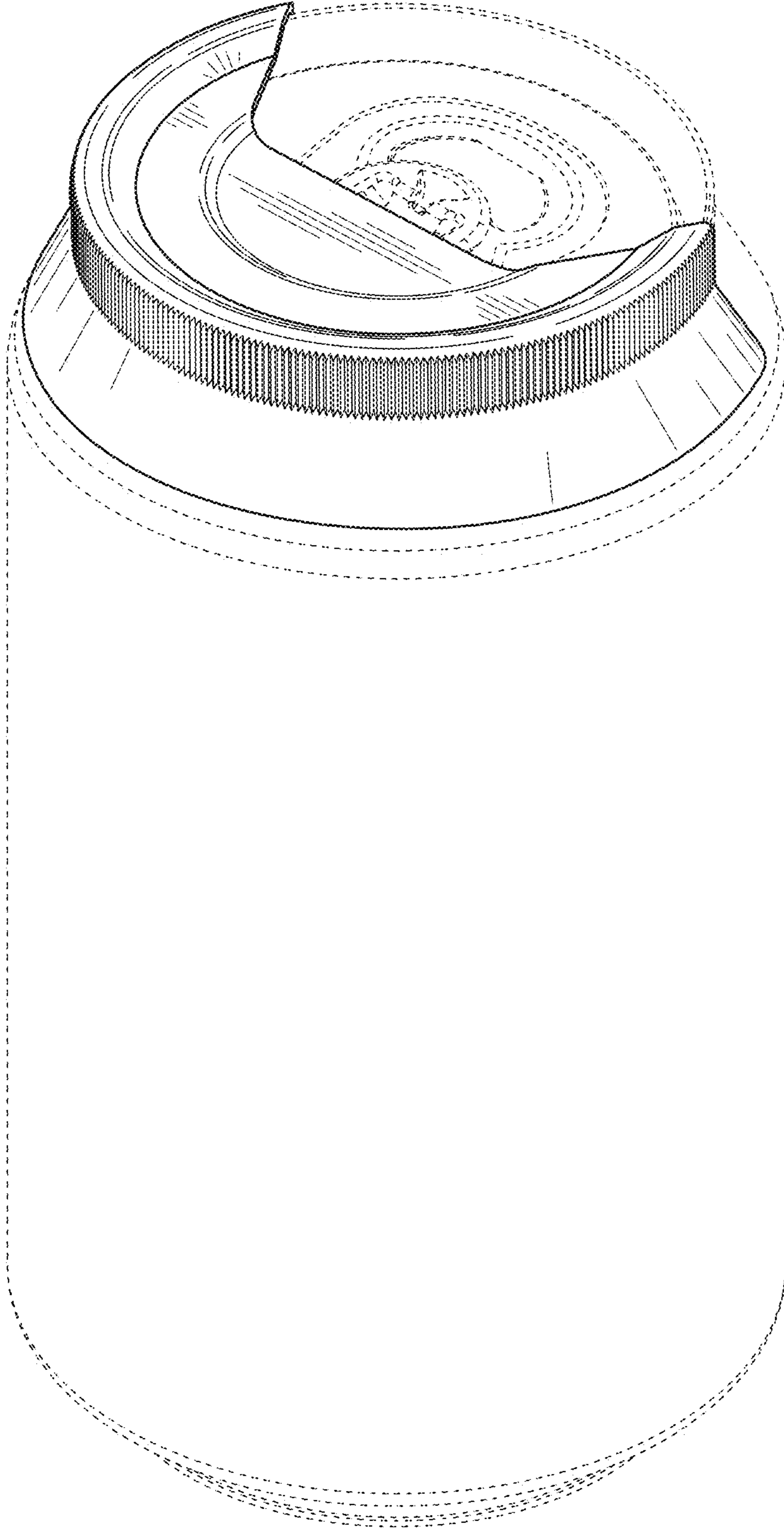


FIG. 8