



US00D953859S

(12) **United States Design Patent**
Macrellino

(10) **Patent No.:** **US D953,859 S**
(45) **Date of Patent:** **** Jun. 7, 2022**

- (54) **CAP FOR CONTAINER**
- (71) Applicants: **DrinkStation, Inc.**, Torrance, CA (US);
PepsiCo, Inc., Purchase, NY (US)
- (72) Inventor: **Diego Macrellino**, Torrance, CA (US)
- (73) Assignees: **DrinkStation, Inc.**, Torrance, CA (US);
PepsiCo, Inc., Purchase, NY (US)
- (**) Term: **15 Years**
- (21) Appl. No.: **29/757,017**
- (22) Filed: **Nov. 2, 2020**

- D581,211 S * 11/2008 Lapsker D7/396.2
- D625,951 S * 10/2010 Baek D7/396.2
- D690,988 S * 10/2013 Audette D7/392.1
- D716,656 S * 11/2014 Carregui D9/440
- D742,229 S * 11/2015 Wisniewski D9/449
- D827,363 S * 9/2018 Matsui D7/392.1
- D852,625 S * 7/2019 Meyers D9/447
- D876,230 S * 2/2020 Hagg D9/454
- D876,891 S * 3/2020 Finell D7/509
- D880,231 S * 4/2020 Edlund Tjernberg D7/396.2
- D891,924 S * 8/2020 Mitchell D9/454
- D917,955 S * 5/2021 Yao D7/392
- D920,115 S * 5/2021 Lee D9/454
- D934,680 S * 11/2021 Schultz D7/392.1

Related U.S. Application Data

- (63) Continuation of application No. 16/416,001, filed on May 17, 2019, now Pat. No. 10,899,507.
- (51) **LOC (13) Cl.** **09-07**
- (52) **U.S. Cl.**
USPC **D9/447; D9/454**
- (58) **Field of Classification Search**
USPC D9/435, 439, 440, 442-449, 450, 454,
D9/531, 682-694, 723, 575; D7/321,
D7/391, 392, 392.1, 396.2, 507, 509-511,
D7/523, 608, 900; D6/515
CPC B65D 83/205; B65D 83/206; B65D 83/40;
B65D 2543/00046; A47G 19/2272
See application file for complete search history.

References Cited

U.S. PATENT DOCUMENTS

- 3,085,710 A * 4/1963 McIlroy A47G 19/2272
220/711
- D285,515 S * 9/1986 Papciak D7/509
- D562,065 S * 2/2008 Smaldone D7/387

FOREIGN PATENT DOCUMENTS

CN 303885951 * 12/2016

* cited by examiner

Primary Examiner — Brett Miller

Assistant Examiner — Rani J Abdallah

(74) *Attorney, Agent, or Firm* — Sterne, Kessler,
Goldstein & Fox P.L.L.C.

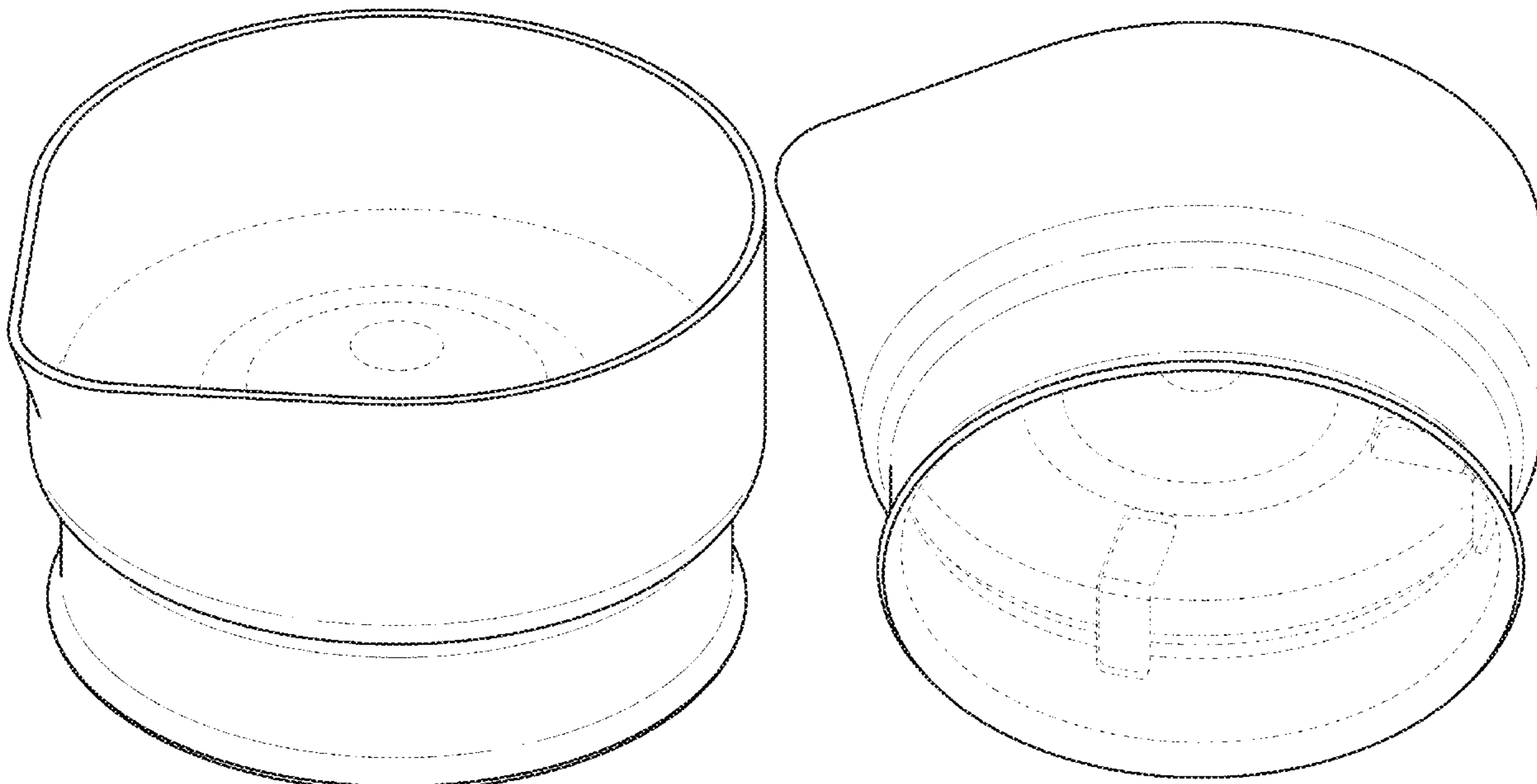
(57) **CLAIM**

The ornamental design for a cap for container, as shown and described.

DESCRIPTION

FIG. 1 is a top perspective view of a cap for container showing the claimed design;
 FIG. 2 is a bottom perspective view thereof;
 FIG. 3 is a top view thereof;
 FIG. 4 is a side view thereof; and,
 FIG. 5 is another side view thereof.
 The broken lines in the figures show portions of the cap for container that form no part of the claimed design.

1 Claim, 5 Drawing Sheets



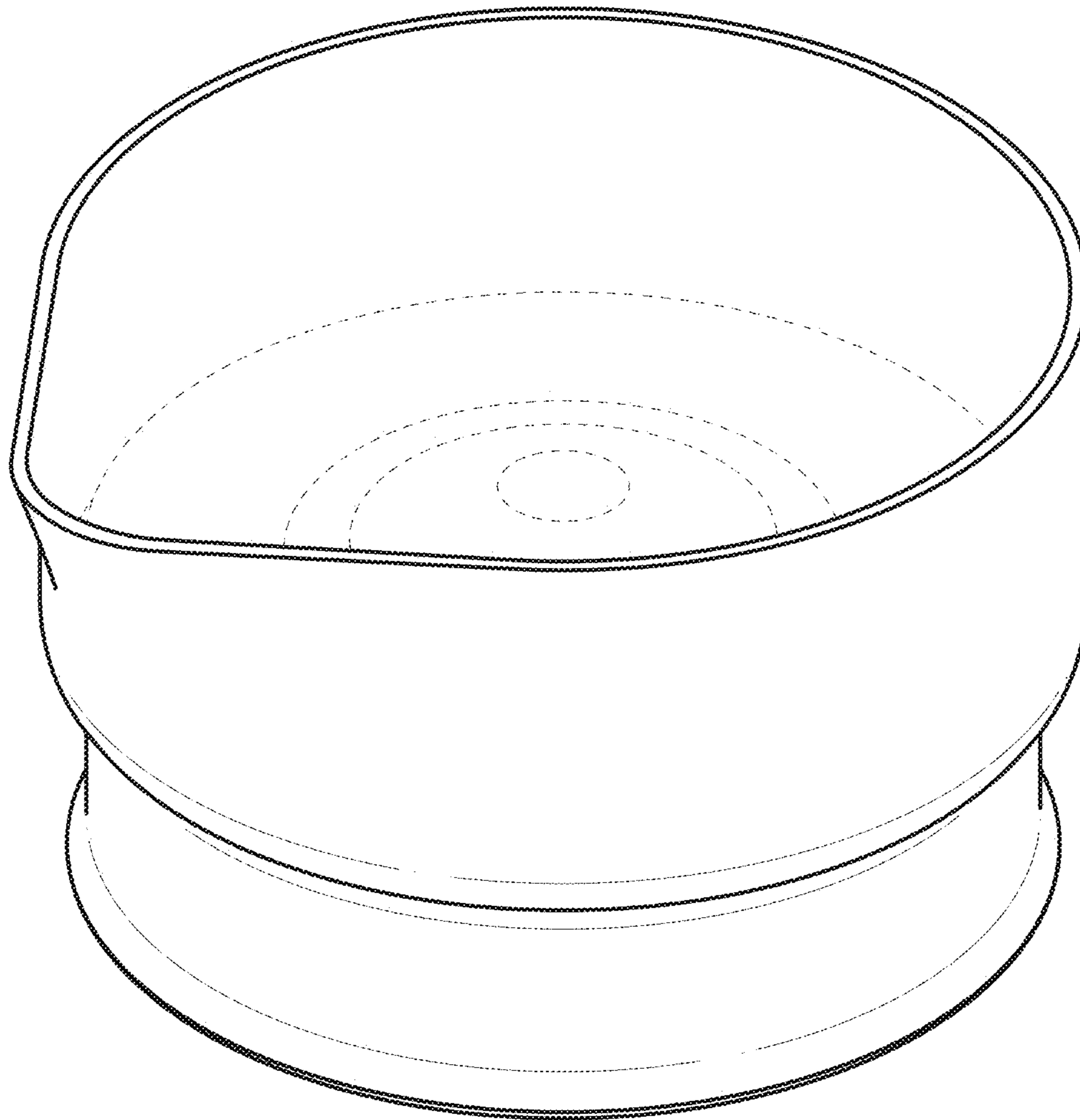


FIG. 1

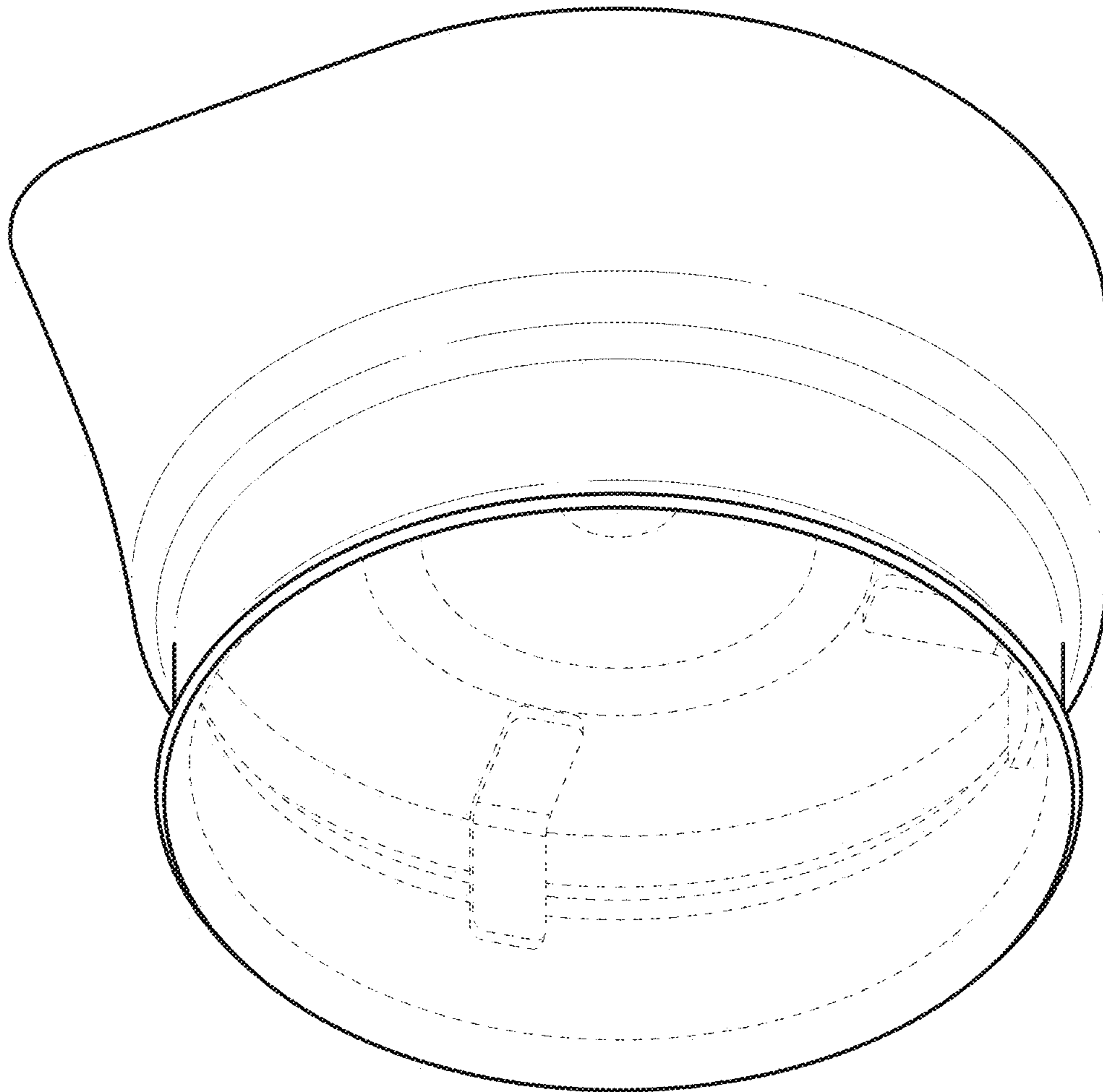


FIG. 2

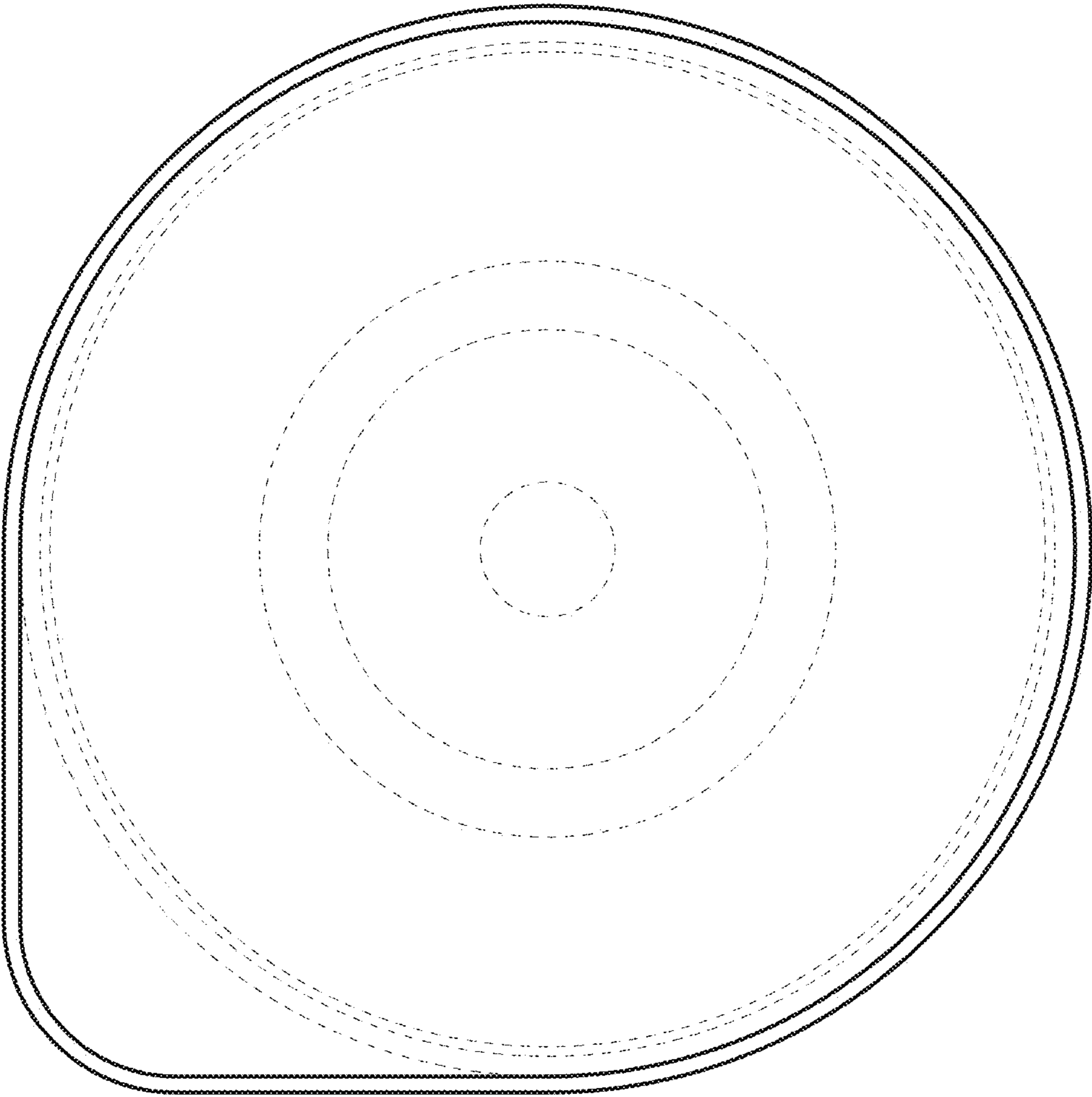


FIG. 3

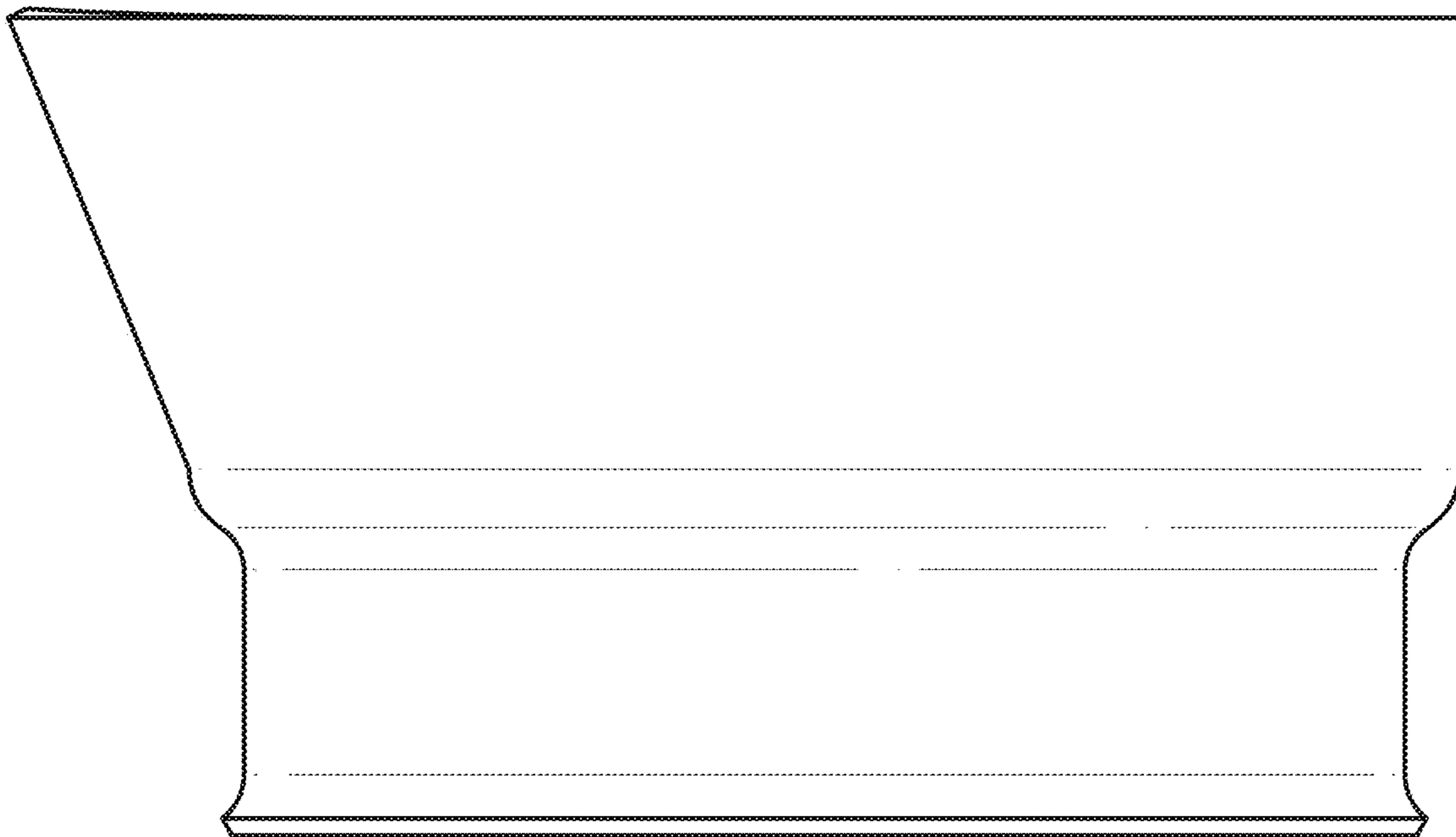


FIG. 4

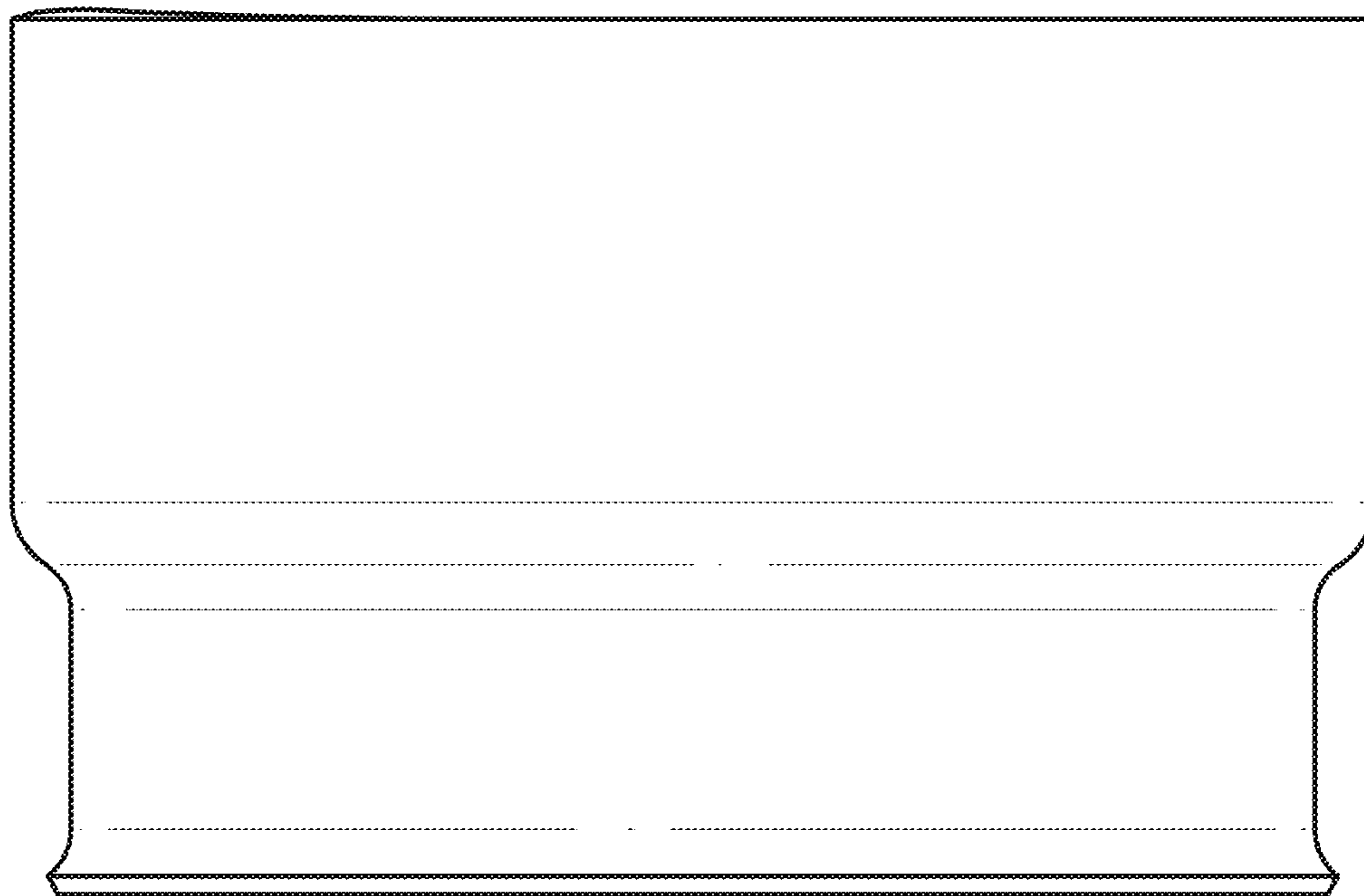


FIG. 5