



US00D953855S

(12) **United States Design Patent**  
**Oishi**

(10) **Patent No.:** **US D953,855 S**

(45) **Date of Patent:** **\*\* \*Jun. 7, 2022**

- (54) **D-SHAPED TUBE PACKAGE**
- (71) Applicant: **Mark Jiro Oishi**, Coquitlam (CA)
- (72) Inventor: **Mark Jiro Oishi**, Coquitlam (CA)
- (\*) Notice: This patent is subject to a terminal disclaimer.
- (\*\*) Term: **15 Years**
- (21) Appl. No.: **29/717,760**
- (22) Filed: **Dec. 19, 2019**
- (51) **LOC (13) Cl.** ..... **09-03**
- (52) **U.S. Cl.**  
USPC ..... **D9/415; D9/418**
- (58) **Field of Classification Search**  
USPC ..... D9/414-418, 711, 425, 424, 722, 517,  
D9/457, 732, 737, 735, 707, 456, 419;  
D19/1, 86; D3/265; D7/691  
CPC ..... B65D 75/366; B41J 2/17533  
See application file for complete search history.

- D565,403 S \* 4/2008 Caine ..... D9/415
- D567,077 S \* 4/2008 Jackel ..... D9/415
- D584,139 S \* 1/2009 Himeda ..... D9/415
- 7,475,779 B2 \* 1/2009 Kellar ..... B41J 2/17533  
206/462
- D590,257 S \* 4/2009 Matsumoto ..... D9/457
- D601,009 S \* 9/2009 Shinn ..... D9/415
- D616,299 S \* 5/2010 Mayo ..... D9/418
- D618,089 S \* 6/2010 L'Hoste ..... D9/415
- D632,955 S \* 2/2011 Smith, III ..... D9/415
- D658,055 S \* 4/2012 Kurita ..... D9/415
- D668,532 S \* 10/2012 Bowler ..... D9/415
- D669,347 S \* 10/2012 Anderson ..... D9/415
- D670,161 S \* 11/2012 Birgers ..... D9/415
- 8,376,137 B2 \* 2/2013 Laurienzo ..... B65D 75/366  
206/457
- D682,671 S \* 5/2013 Gottschalk ..... D9/415
- D699,103 S \* 2/2014 Rathbone ..... D9/418
- D703,268 S \* 4/2014 Harvey Pennaz ..... D19/86
- D703,739 S \* 4/2014 Pacquette ..... D19/1
- D720,212 S \* 12/2014 Gonzalez ..... D9/419
- D723,365 S \* 3/2015 Mitchell ..... D9/416
- D724,946 S \* 3/2015 Atkinson ..... D9/457
- D733,552 S \* 7/2015 Whalen, Jr. .... D9/415
- D743,272 S \* 11/2015 Rasgon ..... D9/707
- D781,695 S \* 3/2017 Schouten ..... D9/415
- D786,677 S \* 5/2017 Griffith ..... D9/456
- D791,585 S \* 7/2017 Stronski ..... D9/415

(Continued)

(56) **References Cited**

**U.S. PATENT DOCUMENTS**

- 3,273,702 A \* 9/1966 Palmer ..... B65D 5/4204  
229/102.5
- D369,547 S \* 5/1996 Dahlheimer ..... D9/415
- D382,475 S \* 8/1997 Cooper ..... D9/415
- D430,488 S \* 9/2000 Ito ..... D9/415
- D433,613 S \* 11/2000 Jialin ..... D8/71
- D434,654 S \* 12/2000 McCool ..... D9/415
- D441,646 S \* 5/2001 Adkins ..... D9/415
- D456,249 S \* 4/2002 Pearson ..... D9/415
- D469,010 S \* 1/2003 Valdez ..... D9/415
- D494,228 S \* 8/2004 Lane ..... D21/415
- D508,843 S \* 8/2005 Lane ..... D3/265
- D515,811 S \* 2/2006 Liu ..... D3/295
- D544,788 S \* 6/2007 Brittain ..... D9/415
- D556,600 S \* 12/2007 Galantai ..... D9/722

*Primary Examiner* — Rhea Shields

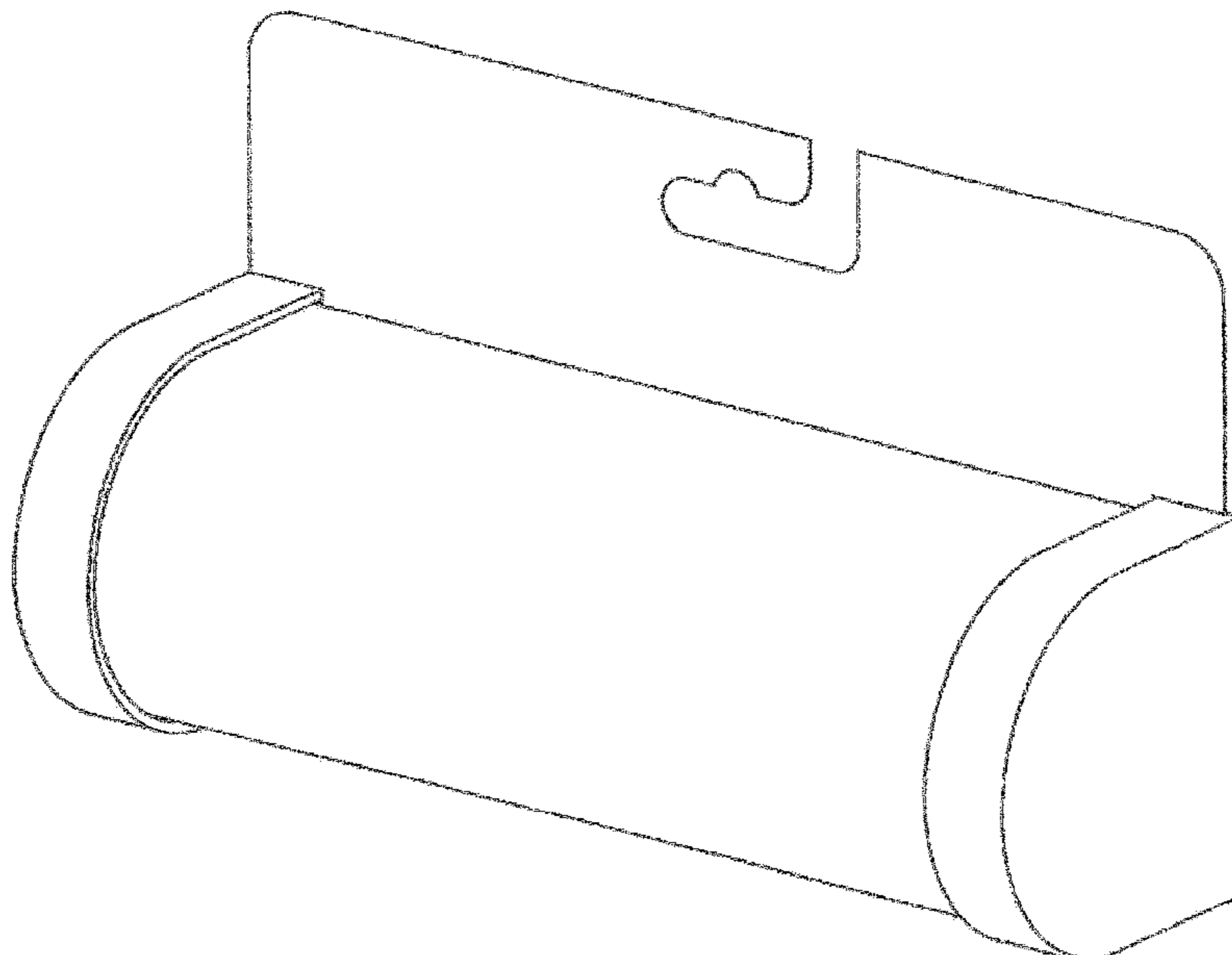
(57) **CLAIM**

The ornamental design for a D-shaped tube package, as shown.

**DESCRIPTION**

FIG. 1 is a perspective view showing my new design; FIG. 2 is a front elevational view thereof; FIG. 3 is a top elevational view thereof; and, FIG. 4 is a right side elevational view thereof, the left side being a mirror image.

**1 Claim, 3 Drawing Sheets**



(56)

**References Cited**

U.S. PATENT DOCUMENTS

D806,548 S *	1/2018	Barrett	.....	D9/457
D810,558 S *	2/2018	Yuan	.....	D9/424
D826,733 S *	8/2018	Medhurst	.....	D9/735
D850,289 S *	6/2019	McCay	.....	D9/737
D871,204 S *	12/2019	Park	.....	D9/415
D871,231 S *	12/2019	Kuwa	.....	D9/732
D876,217 S *	2/2020	Nouri	.....	D9/425
D881,012 S *	4/2020	Salow	.....	D9/457
D887,262 S *	6/2020	Chang	.....	D9/415
D900,637 S *	11/2020	Baker	.....	D9/722
D904,181 S *	12/2020	Leegwater	.....	D9/418
D904,182 S *	12/2020	Leegwater	.....	D9/418
D906,772 S *	1/2021	Jacobs	.....	D7/691
D908,478 S *	1/2021	Nelson	.....	D9/415
D915,207 S *	4/2021	Leegwater	.....	D9/517
D920,131 S *	5/2021	Oishi	.....	D9/711
D929,240 S *	8/2021	Choi	.....	D9/722

\* cited by examiner

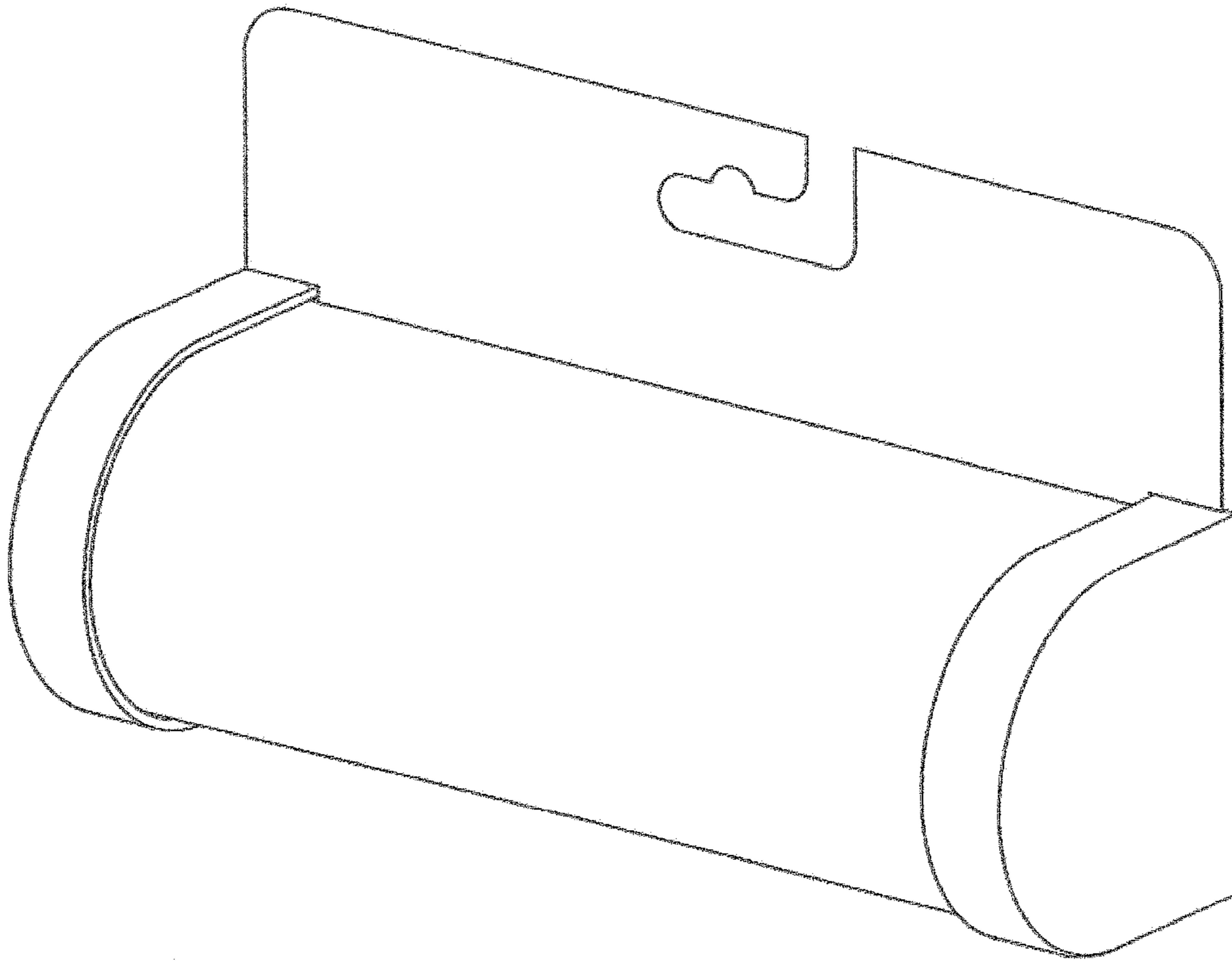


FIG. 1

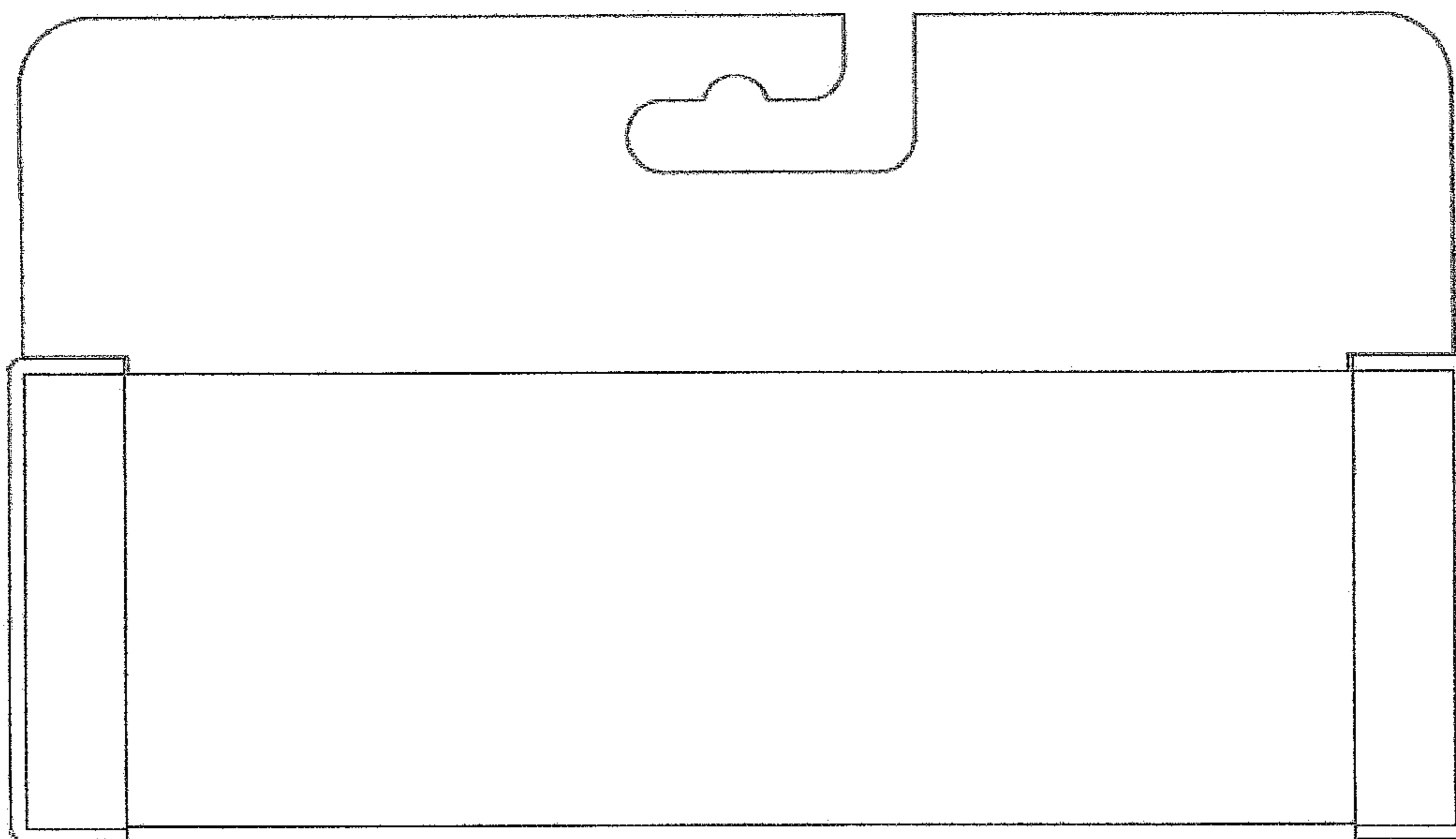


FIG. 2

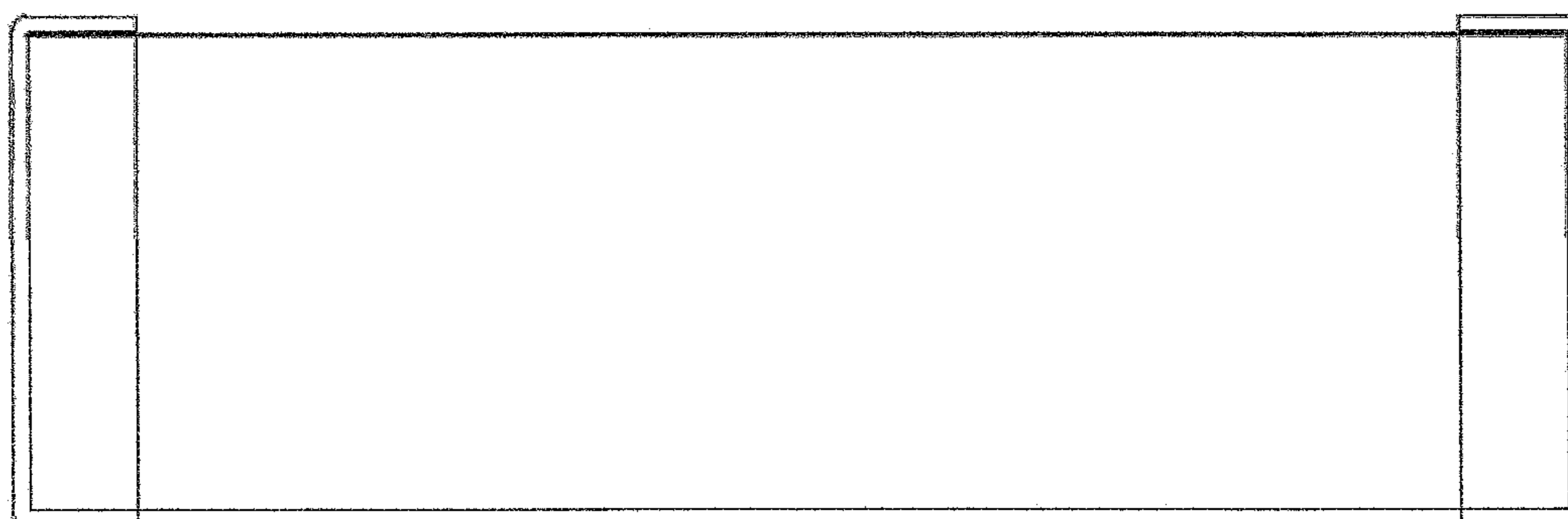


FIG. 3

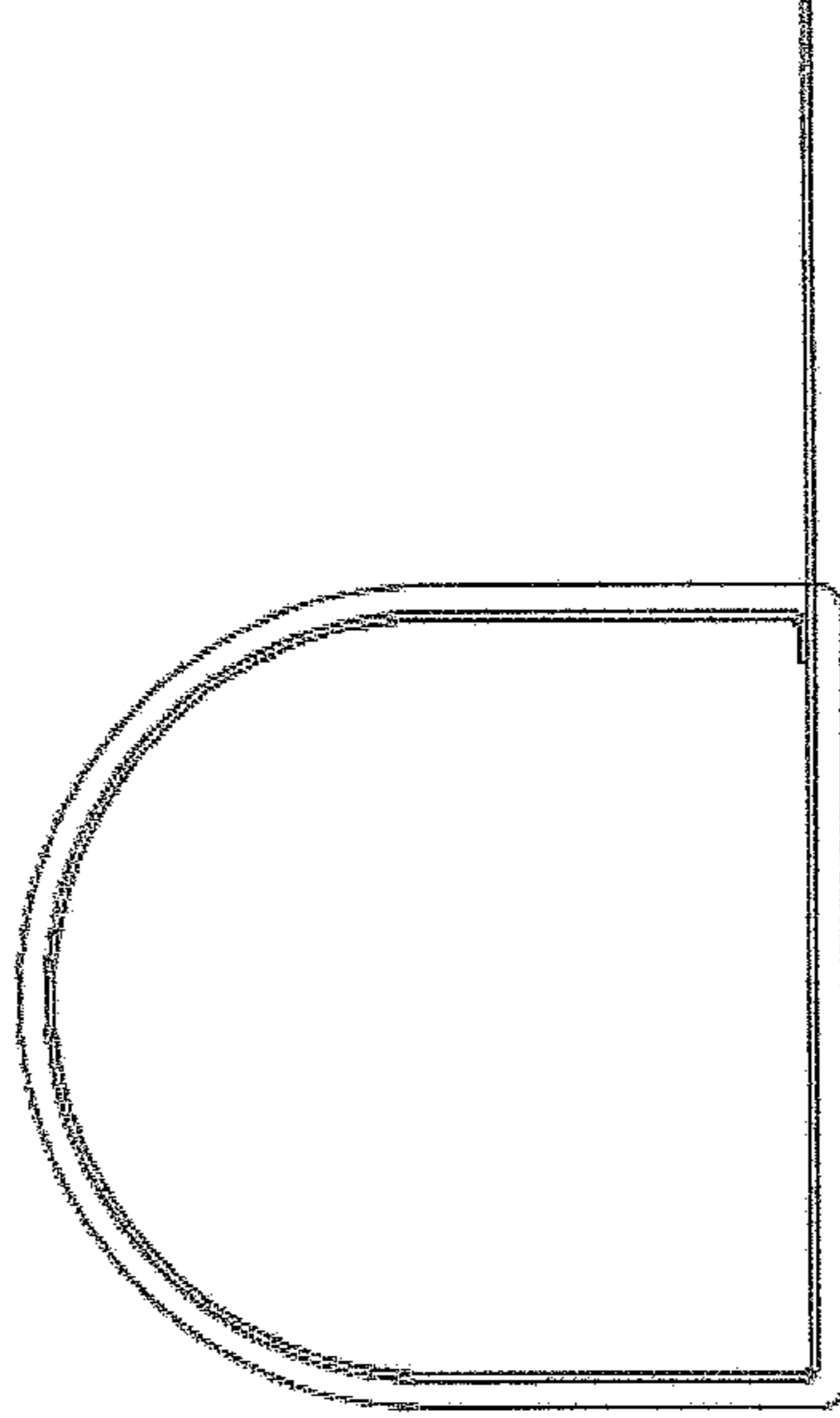


FIG. 4