



US00D953854S

(12) **United States Design Patent**
Yoon et al.

(10) **Patent No.:** **US D953,854 S**
(45) **Date of Patent:** **** Jun. 7, 2022**

(54) **SAFETY PAD FOR ANGLE SHELF**

(71) Applicant: **Speedrack Co., Ltd.**, Gimpo-si (KR)

(72) Inventors: **Hyo Sang Yoon**, Gimpo-si (KR); **Yoon Ki Kim**, Gimpo-si (KR); **Jae Koon Han**, Gimpo-si (KR)

(73) Assignee: **SPEEDRACK CO., LTD.**, Gimpo-si (KR)

(**) Term: **15 Years**

(21) Appl. No.: **29/761,404**

(22) Filed: **Dec. 9, 2020**

(30) **Foreign Application Priority Data**

Oct. 8, 2020 (KR) 30-2020-0048407

(51) **LOC (13) Cl.** **08-09**

(52) **U.S. Cl.**
USPC **D8/403**

(58) **Field of Classification Search**
USPC D8/354, 373, 382, 402, 403, 499;
D25/55, 60, 61, 102, 133, 199
CPC A47B 91/06
See application file for complete search history.

(56) **References Cited**

U.S. PATENT DOCUMENTS

3,099,891 A * 8/1963 Handler A47B 91/06
248/188.9
D221,958 S * 9/1971 Finebaum D8/403
D325,835 S * 5/1992 Sollner D8/403

D412,436 S * 8/1999 Tsui D8/403
D431,772 S * 10/2000 Tsui D8/403
D481,304 S * 10/2003 Drake D8/403
D844,426 S * 4/2019 Mueller D8/403
D852,614 S * 7/2019 Schloss D8/403
D860,058 S * 9/2019 Norfleet D12/106
D925,348 S * 7/2021 Norfleet D8/403
D936,473 S * 11/2021 Huang D8/403
2018/0220799 A1 * 8/2018 Mueller A47B 95/043

* cited by examiner

Primary Examiner — Keli L Hill

Assistant Examiner — Harold E Blackwell, II

(74) *Attorney, Agent, or Firm* — Cantor Colburn LLP

(57) **CLAIM**

The ornamental design for a safety pad for angle shelf, as shown and described.

DESCRIPTION

FIG. 1 is a front side perspective view of a safety pad for angle shelf showing our new design; FIG. 2 is a rear side perspective view thereof; FIG. 3 is a front elevational view thereof; FIG. 4 is a rear elevational view thereof; FIG. 5 is a left side elevational view thereof; FIG. 6 is a right side elevational view thereof; FIG. 7 is a top plan view thereof; FIG. 8 is a bottom plan view thereof; FIG. 9 is a reference view when in use thereof; and, FIG. 10 is another reference view when in use thereof. The broken lines in the drawings illustrate portions of the safety pad for angle shelf that form no part of the claimed design.

1 Claim, 6 Drawing Sheets

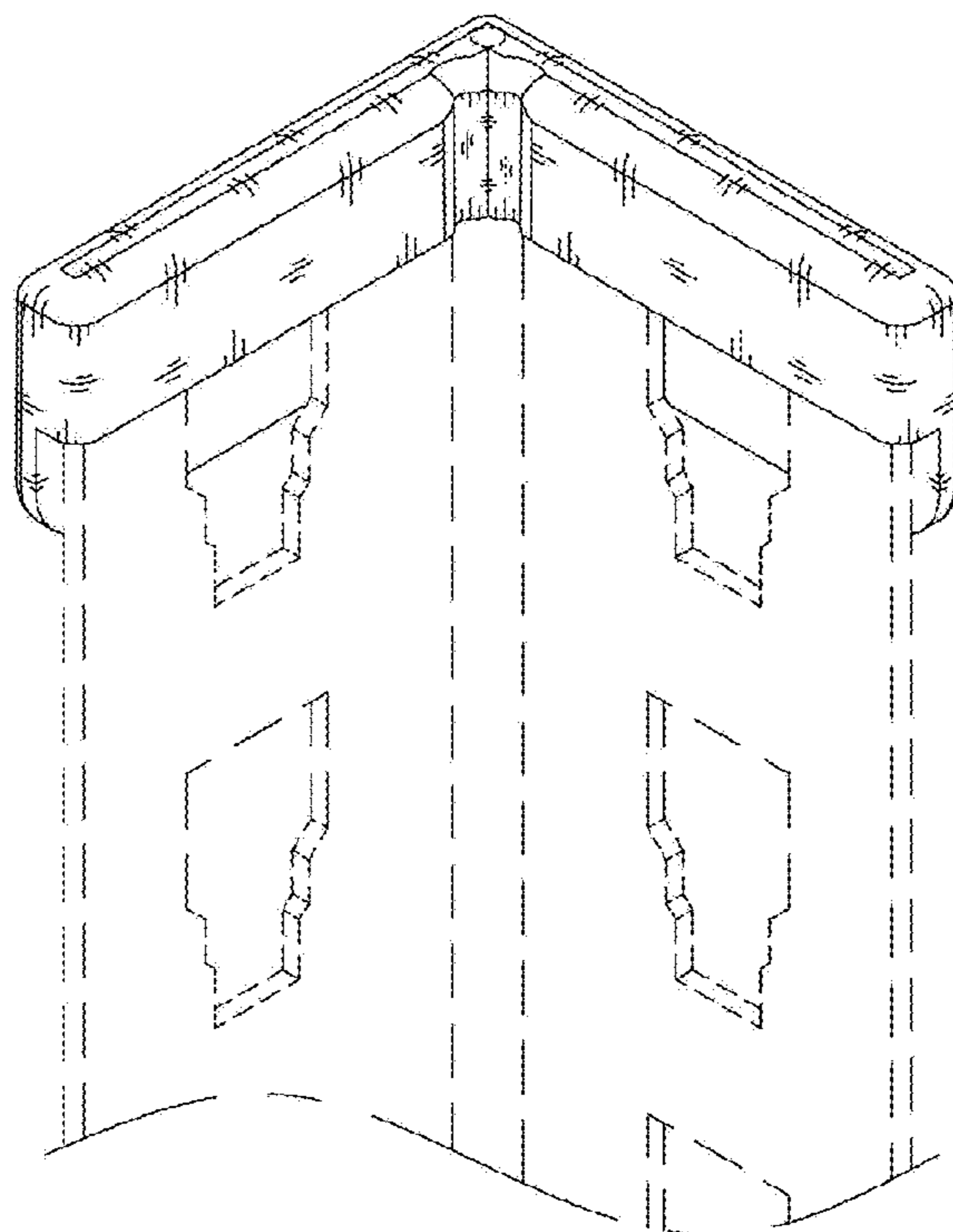
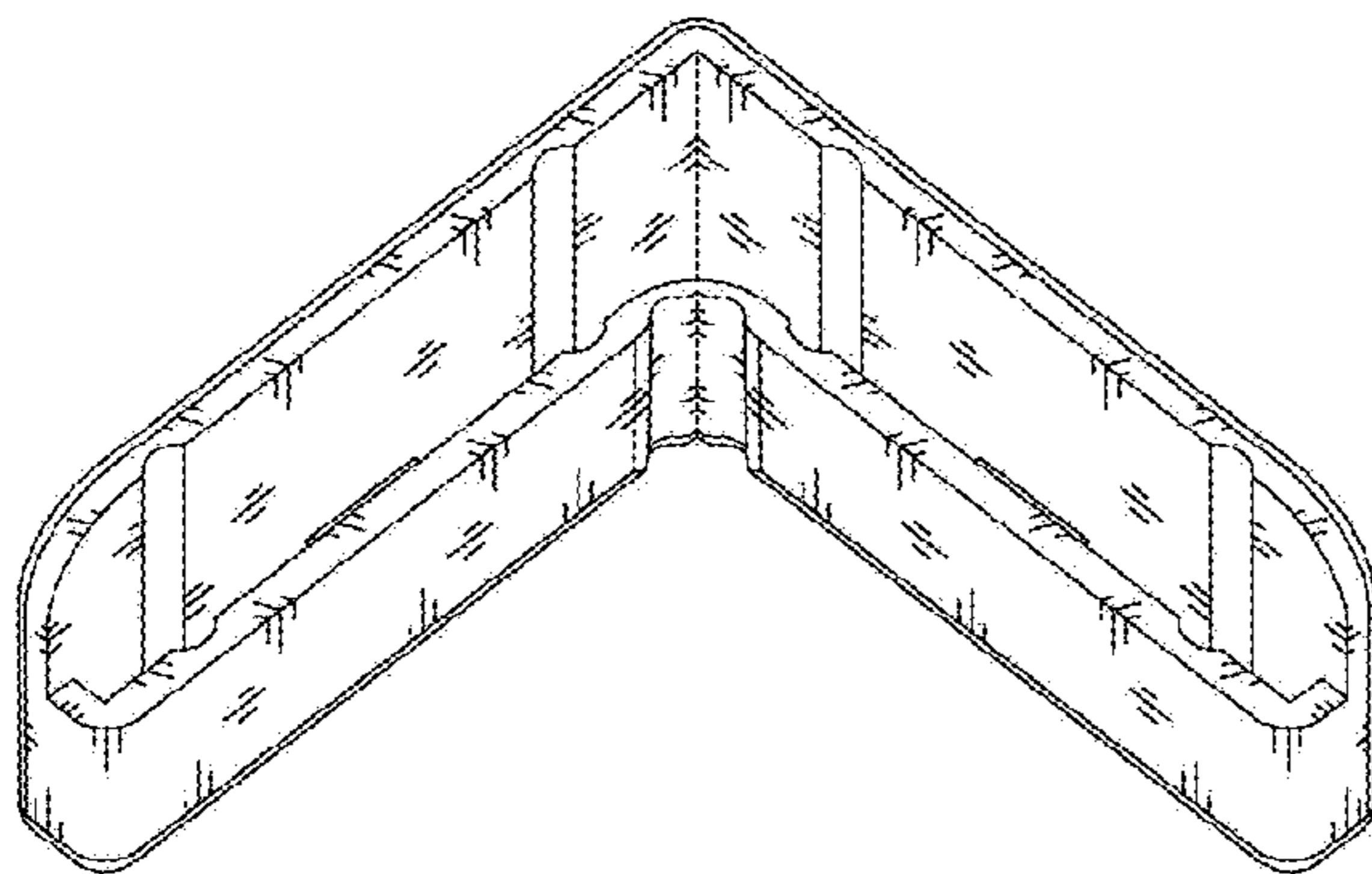


FIG. 1

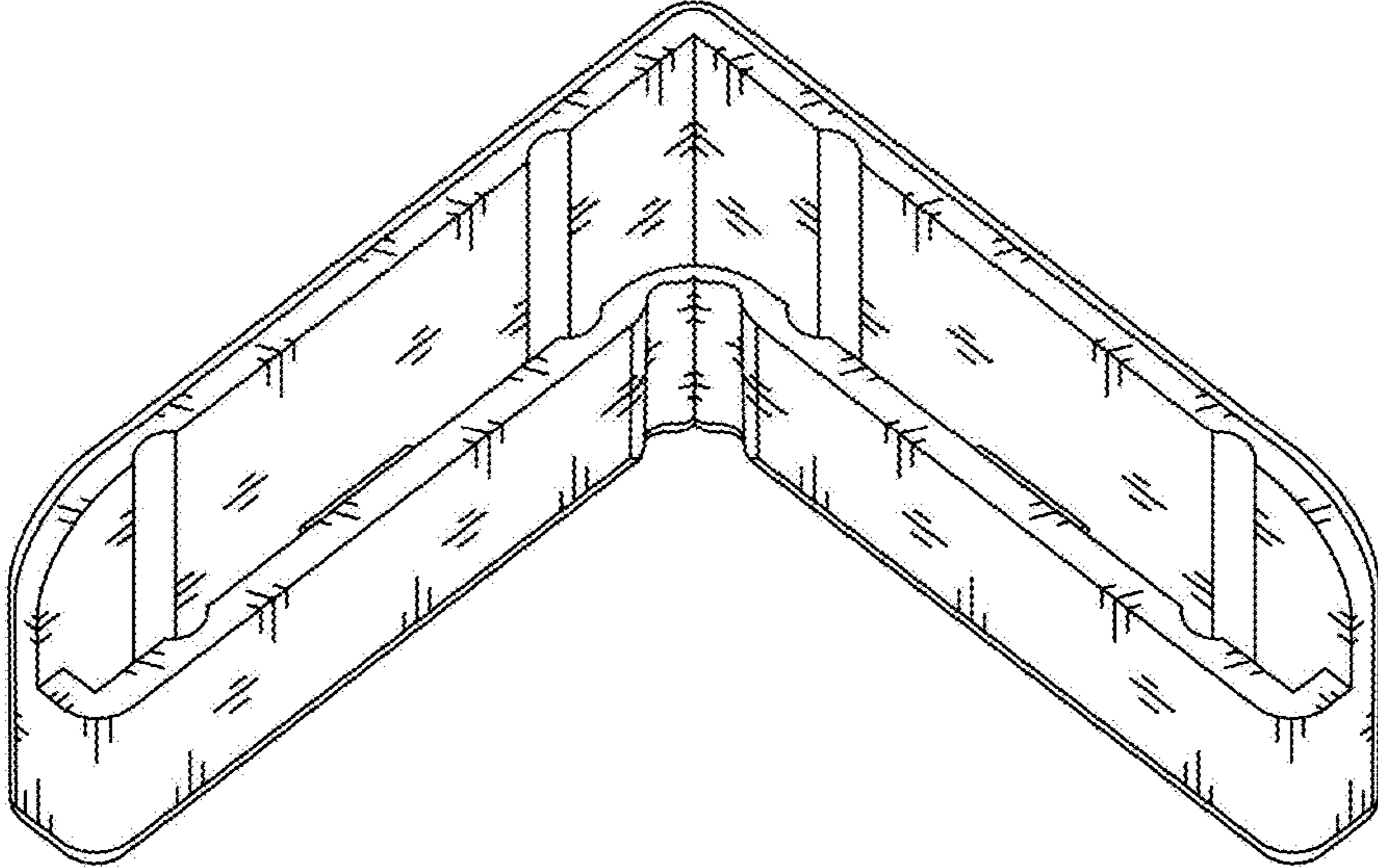


FIG. 2

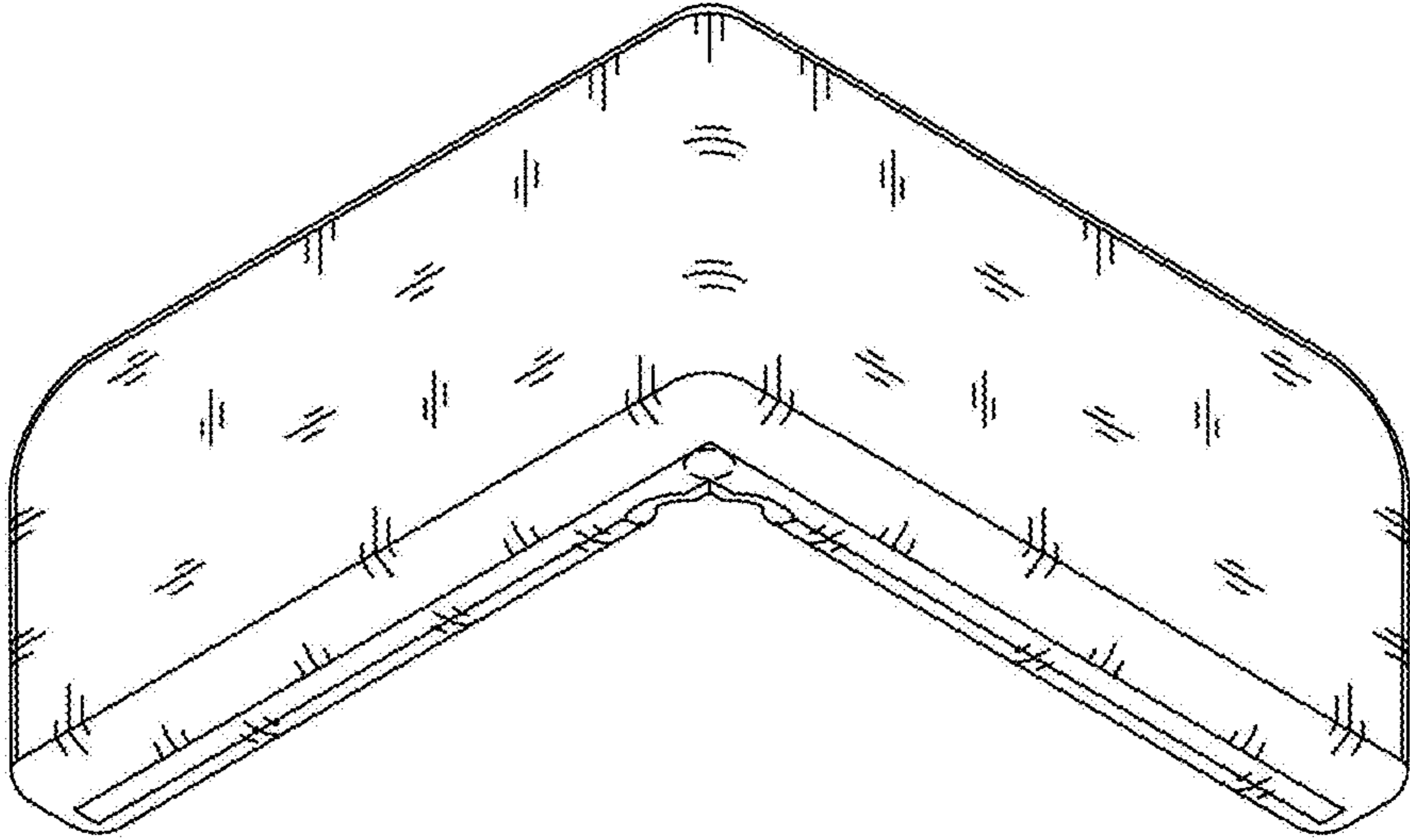


FIG. 3

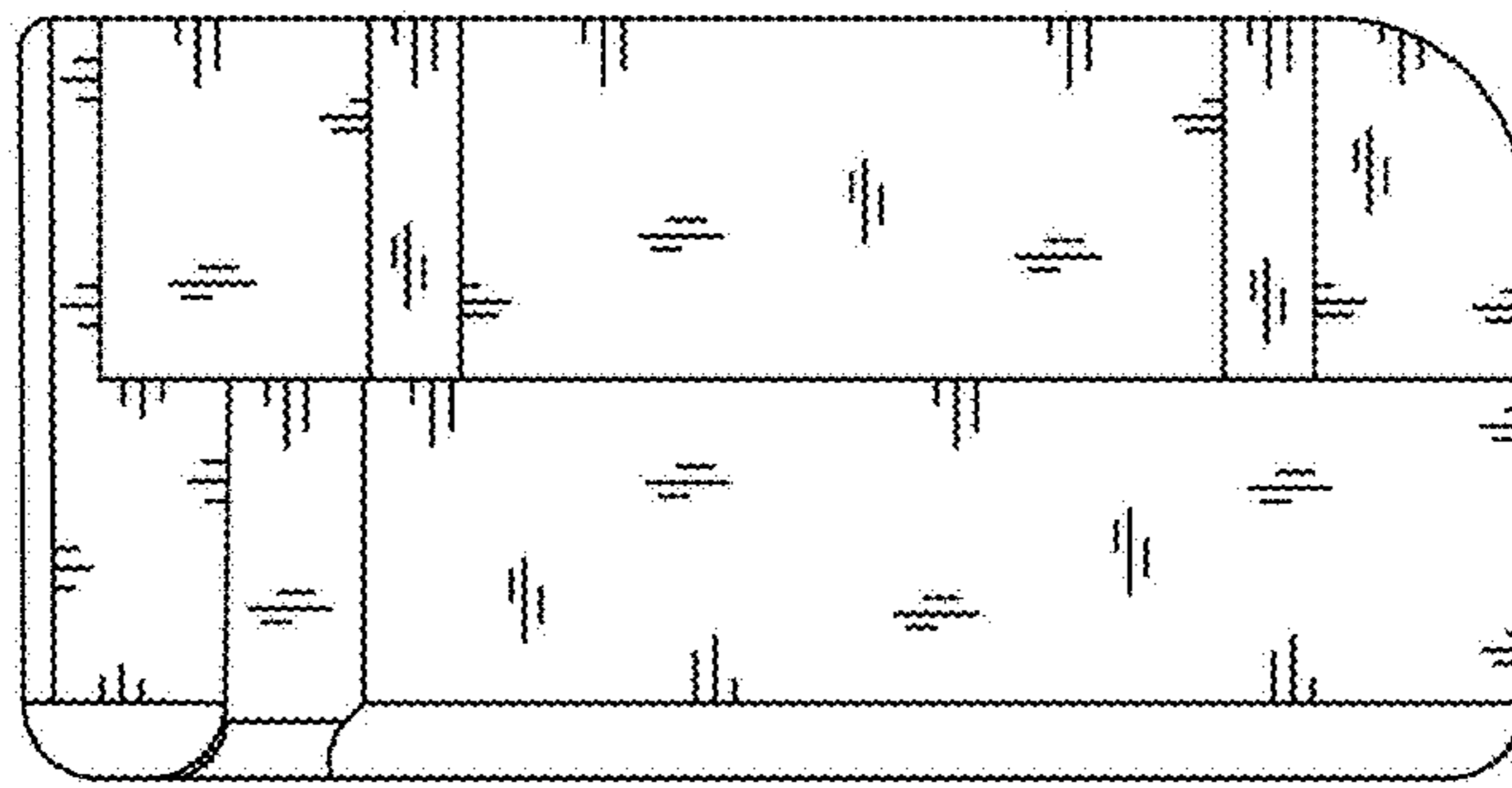


FIG. 4

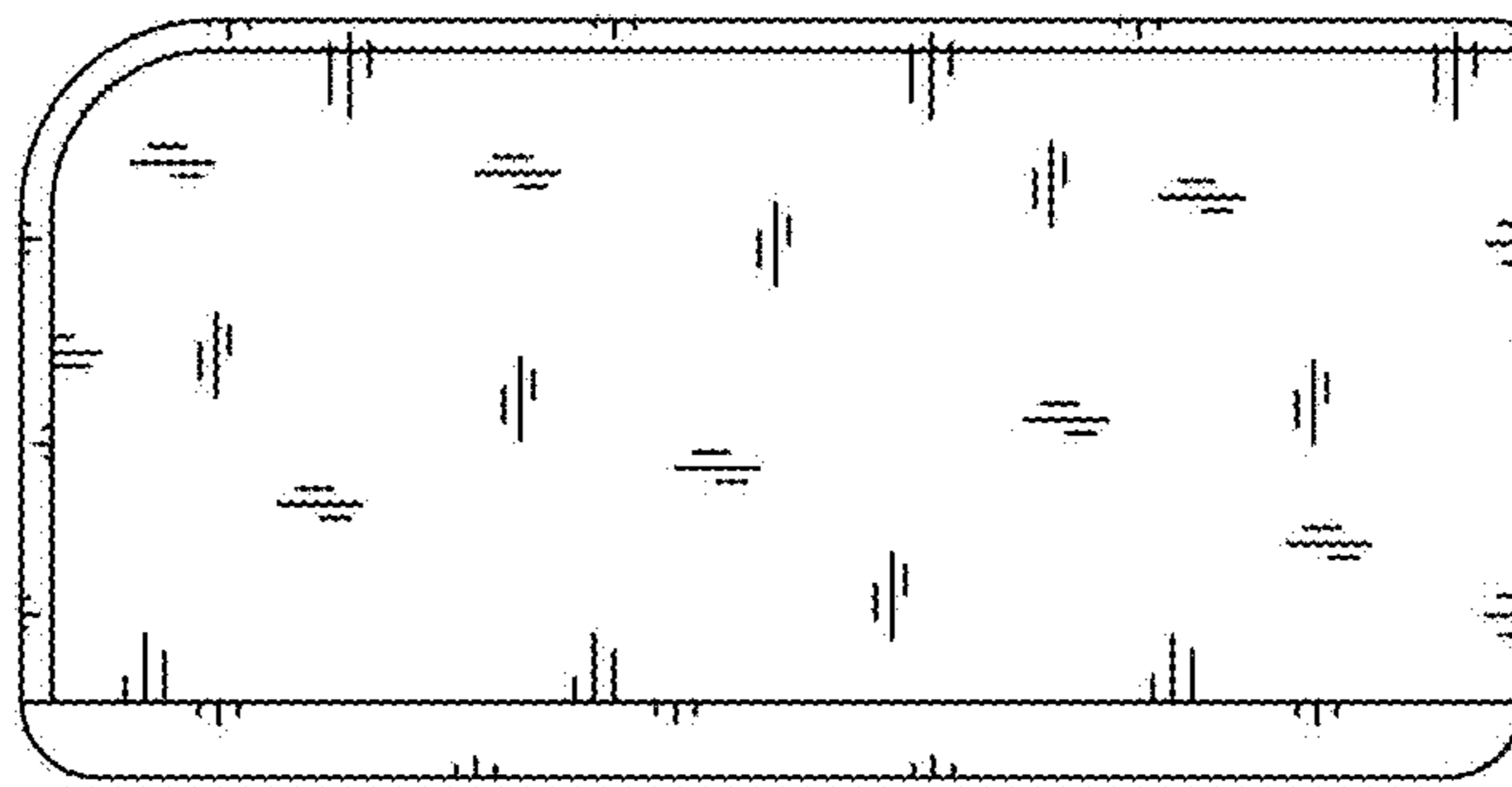


FIG. 5

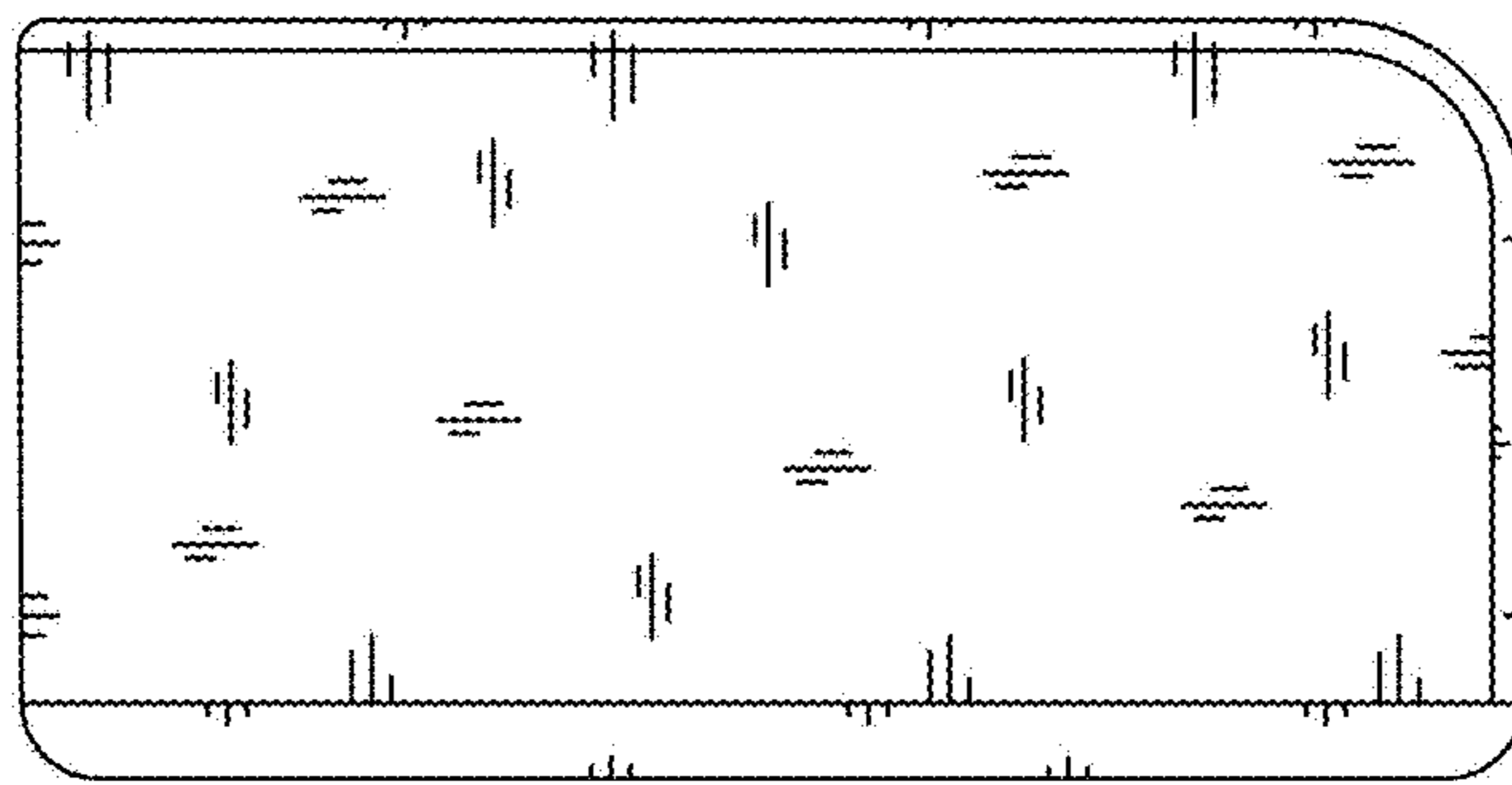


FIG. 6

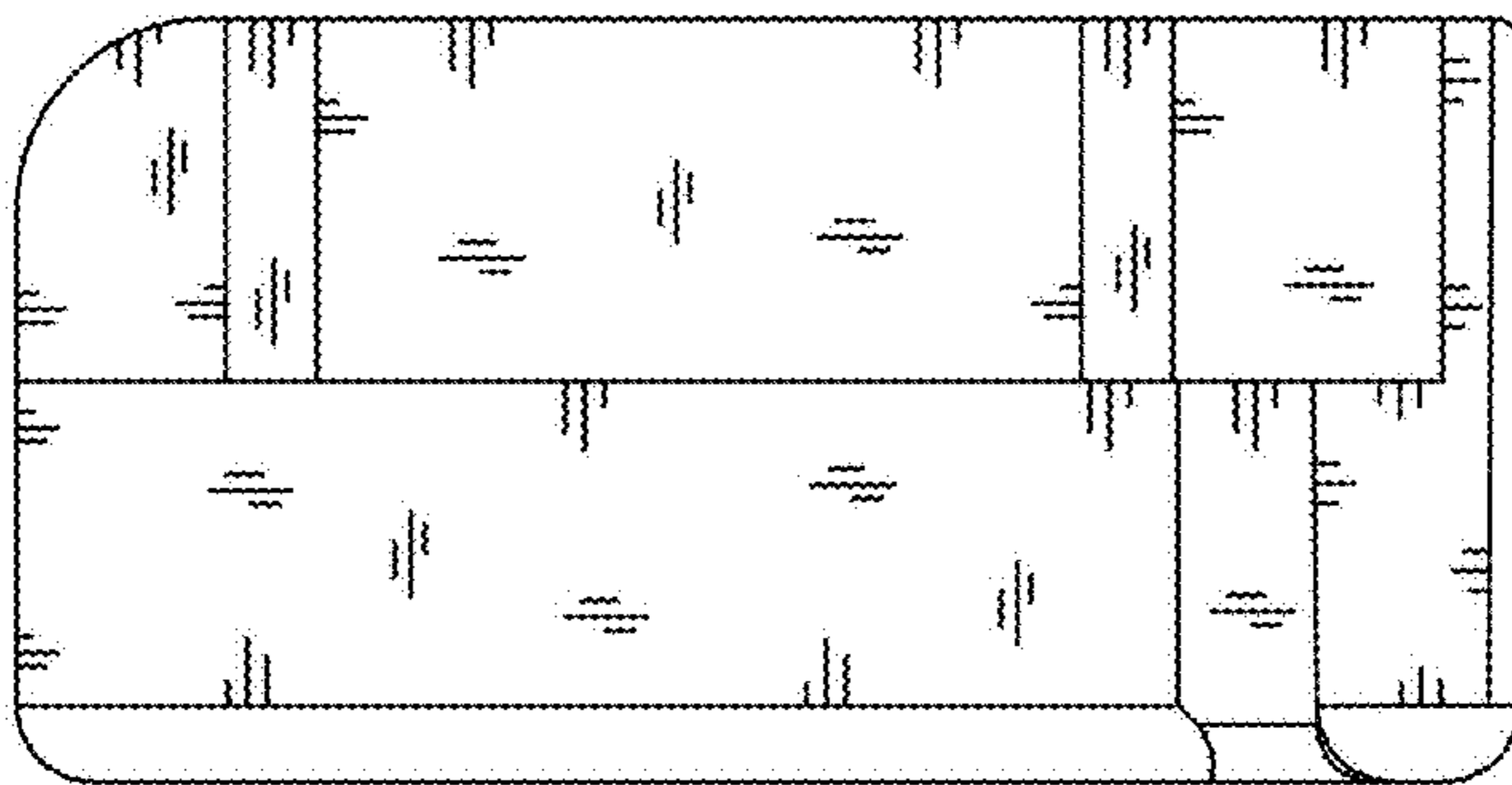


FIG. 7

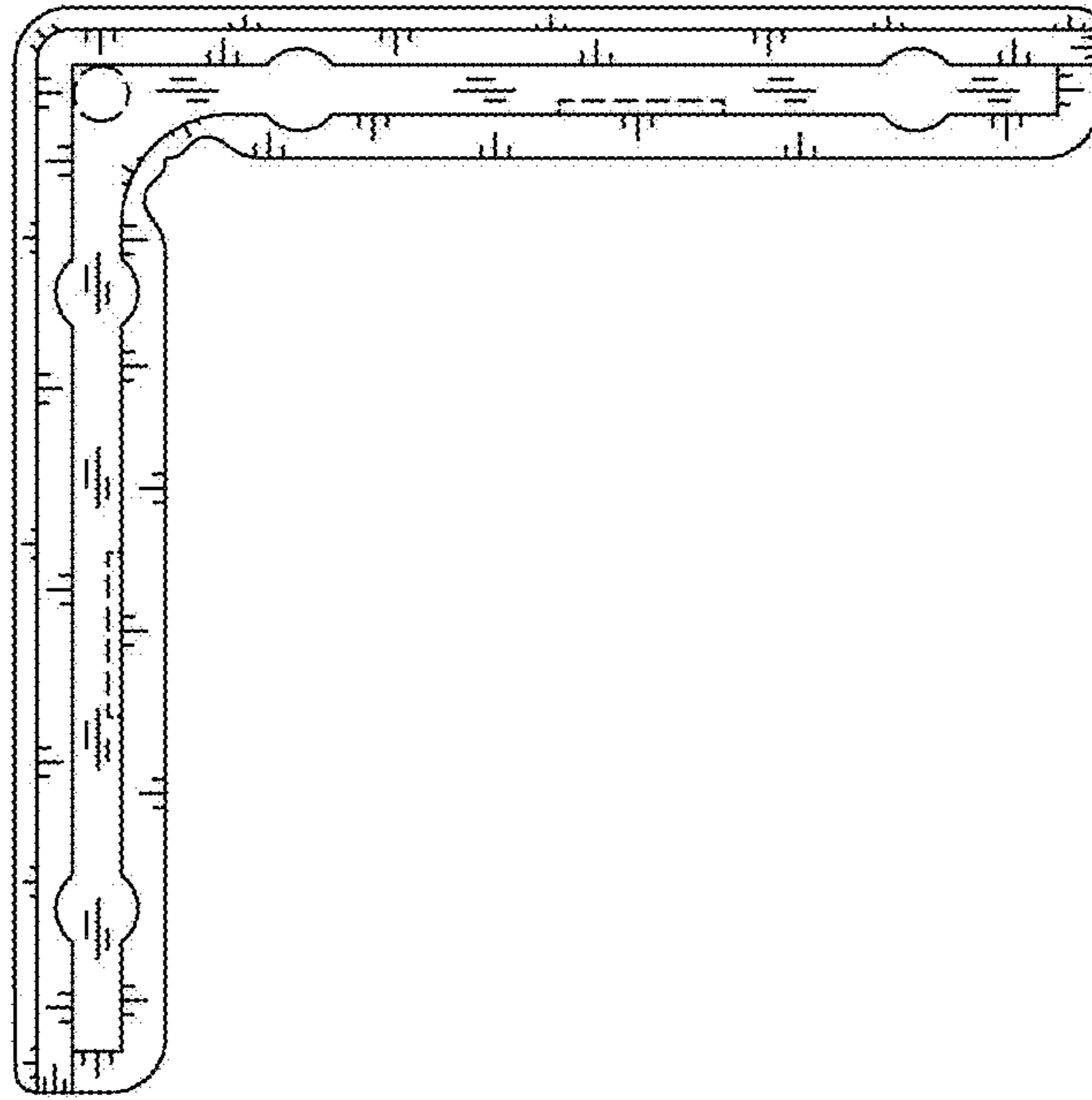


FIG. 8

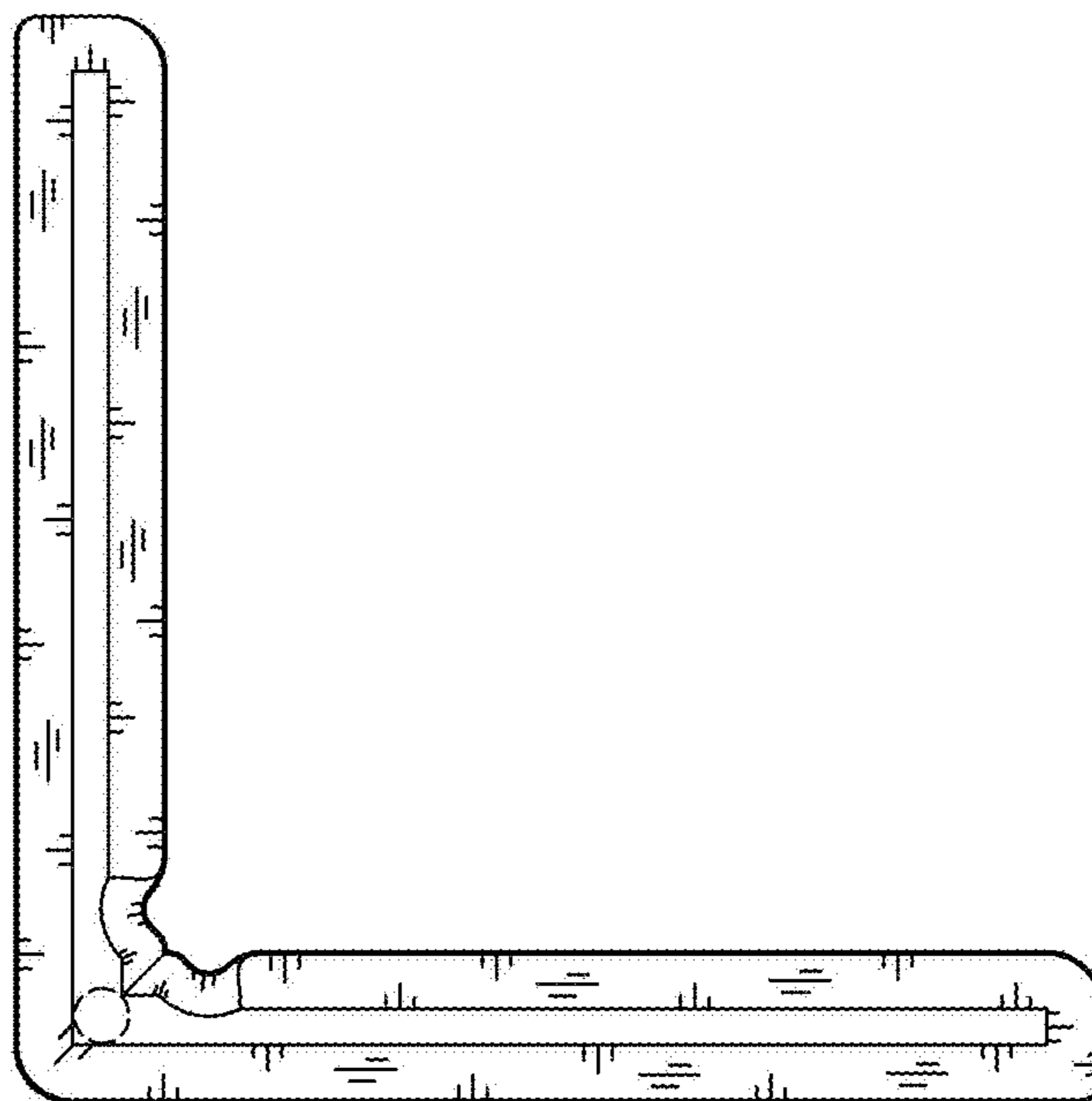


FIG. 9

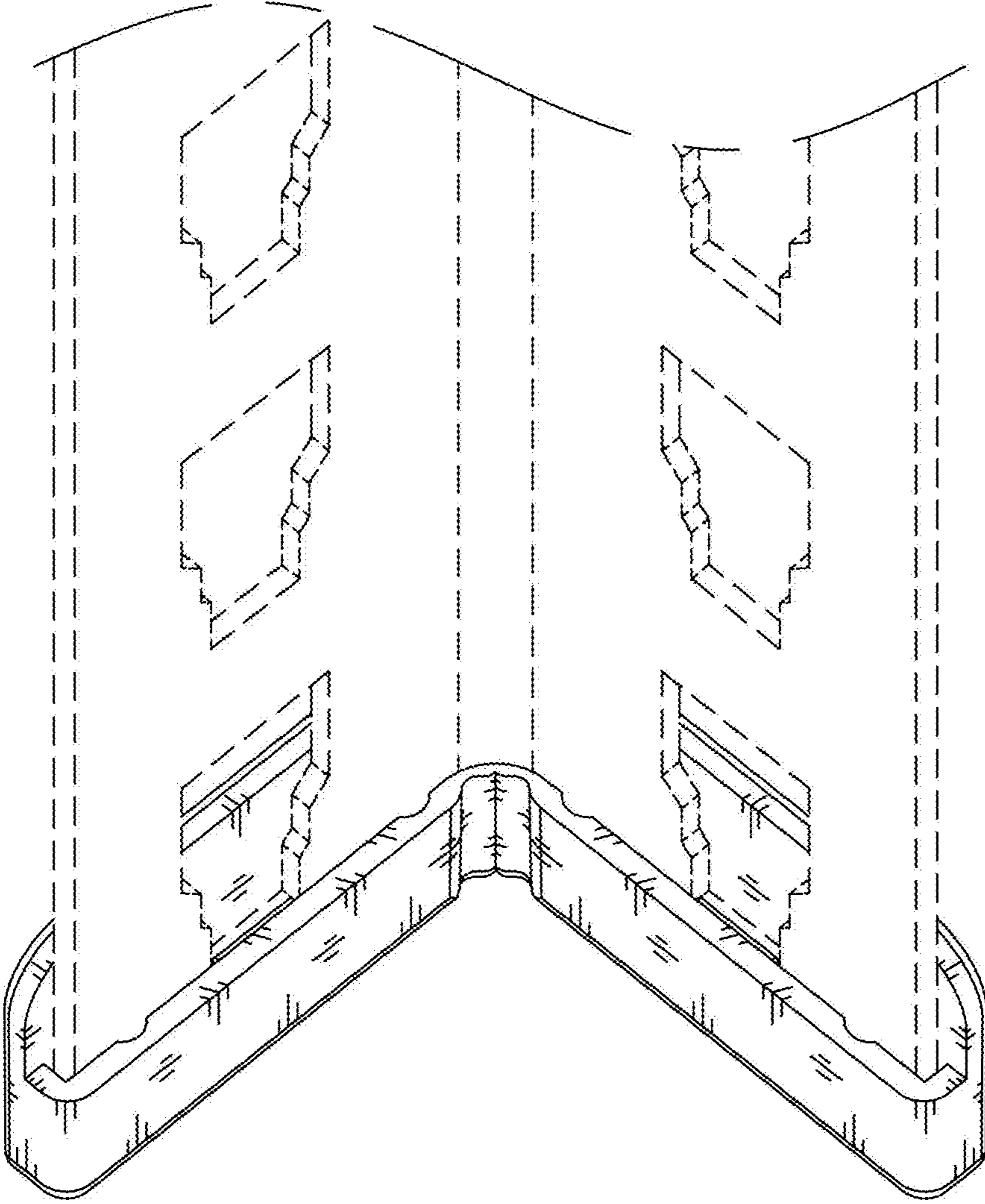


FIG. 10

