



US00D953853S

(12) **United States Design Patent**  
**Karlsson**

(10) **Patent No.:** **US D953,853 S**

(45) **Date of Patent:** **\*\* Jun. 7, 2022**

(54) **FASTENING DEVICE**

(71) Applicant: **Troax AB**, Hillerstorp (SE)

(72) Inventor: **Adam Karlsson**, Åsenhöga (SE)

(73) Assignee: **TROAX AB** (SE)

(\*\*) Term: **15 Years**

(21) Appl. No.: **35/510,635**

(22) Filed: **Oct. 13, 2020**

(80) **Hague Agreement Data**

Int. Filing Date: **Oct. 13, 2020**

Int. Reg. No.: **DM/210832**

Int. Reg. Date: **Oct. 13, 2020**

Int. Reg. Pub. Date: **Oct. 30, 2020**

(51) **LOC (13) Cl.** ..... **08-08**

(52) **U.S. Cl.**  
USPC ..... **D8/382**

(58) **Field of Classification Search**  
USPC ..... D8/349, 354, 382  
CPC ..... F16B 21/09; F16B 17/00  
See application file for complete search history.

(56) **References Cited**

U.S. PATENT DOCUMENTS

D486,791 S *	2/2004	Franks, Jr. ....	D13/133
D487,427 S *	3/2004	Franks, Jr. ....	D13/133
D508,676 S *	8/2005	Franks, Jr. ....	D13/133
D535,985 S *	1/2007	Sergi .....	D14/238
D545,304 S *	6/2007	Sergi .....	D14/238
D556,015 S *	11/2007	Muchnik .....	D8/349
D558,039 S *	12/2007	Skinner .....	D8/354
D558,041 S *	12/2007	Skinner .....	D8/354
D586,201 S *	2/2009	Day .....	D8/354
D595,115 S *	6/2009	Royer .....	D8/354
D646,955 S *	10/2011	Sanders .....	D8/354
D649,015 S *	11/2011	Honda .....	D8/349

D660,133 S *	5/2012	Yoder .....	D8/354
D701,108 S *	3/2014	Rodgers .....	D8/354
D702,532 S *	4/2014	Garrido .....	D8/354
D732,373 S *	6/2015	Wagner .....	D8/349
D732,374 S *	6/2015	Herbertsson .....	D8/349
D732,929 S *	6/2015	Harrow .....	D8/354
D737,664 S *	9/2015	Kobayashi .....	D8/354
D742,720 S *	11/2015	Perry .....	D8/349
D747,954 S *	1/2016	Maeda .....	D8/354
D764,894 S *	8/2016	Pernu .....	D8/349
D767,370 S *	9/2016	Yato .....	D8/354
D768,466 S *	10/2016	Simmons .....	D8/354
D775,512 S *	1/2017	White .....	D8/354
D780,557 S *	3/2017	Foley .....	D8/354
D781,681 S *	3/2017	Nagaki .....	D8/354
D815,042 S *	4/2018	Jenrich .....	D13/133
D819,428 S *	6/2018	Ng .....	D8/354
D820,665 S *	6/2018	DeDios-Shirley .....	D8/354
D829,079 S *	9/2018	Halling .....	D8/349
D848,819 S *	5/2019	French .....	D8/349
D853,377 S *	7/2019	Crandon .....	D14/253
D856,784 S *	8/2019	Zeilinger .....	D8/354
D858,255 S *	9/2019	Fox .....	D8/354
D859,957 S *	9/2019	Flederbach .....	D8/349
D860,762 S *	9/2019	Gibson .....	D8/354
D860,763 S *	9/2019	Allen .....	D8/354

(Continued)

*Primary Examiner* — Deanna L Pratt

(74) *Attorney, Agent, or Firm* — Tucker Ellis LLP

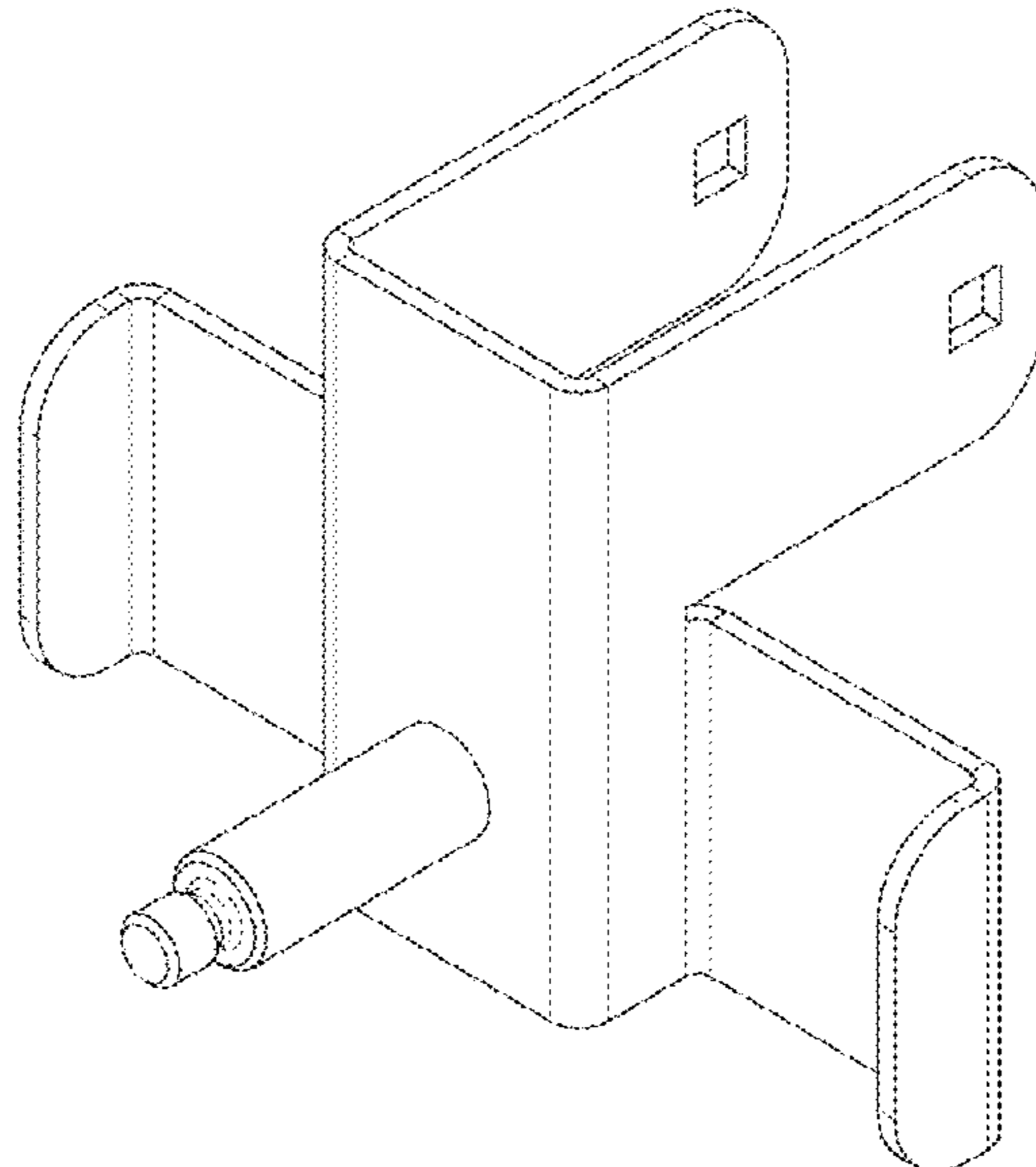
(57) **CLAIM**

The ornamental design for a fastening device, as shown and described.

**DESCRIPTION**

- 1.1 Perspective view
- 1.2 Front view
- 1.3 Right side view
- 1.4 Left side view
- 1.5 Rear view
- 1.6 Top view
- 1.7 Bottom view

**1 Claim, 7 Drawing Sheets**



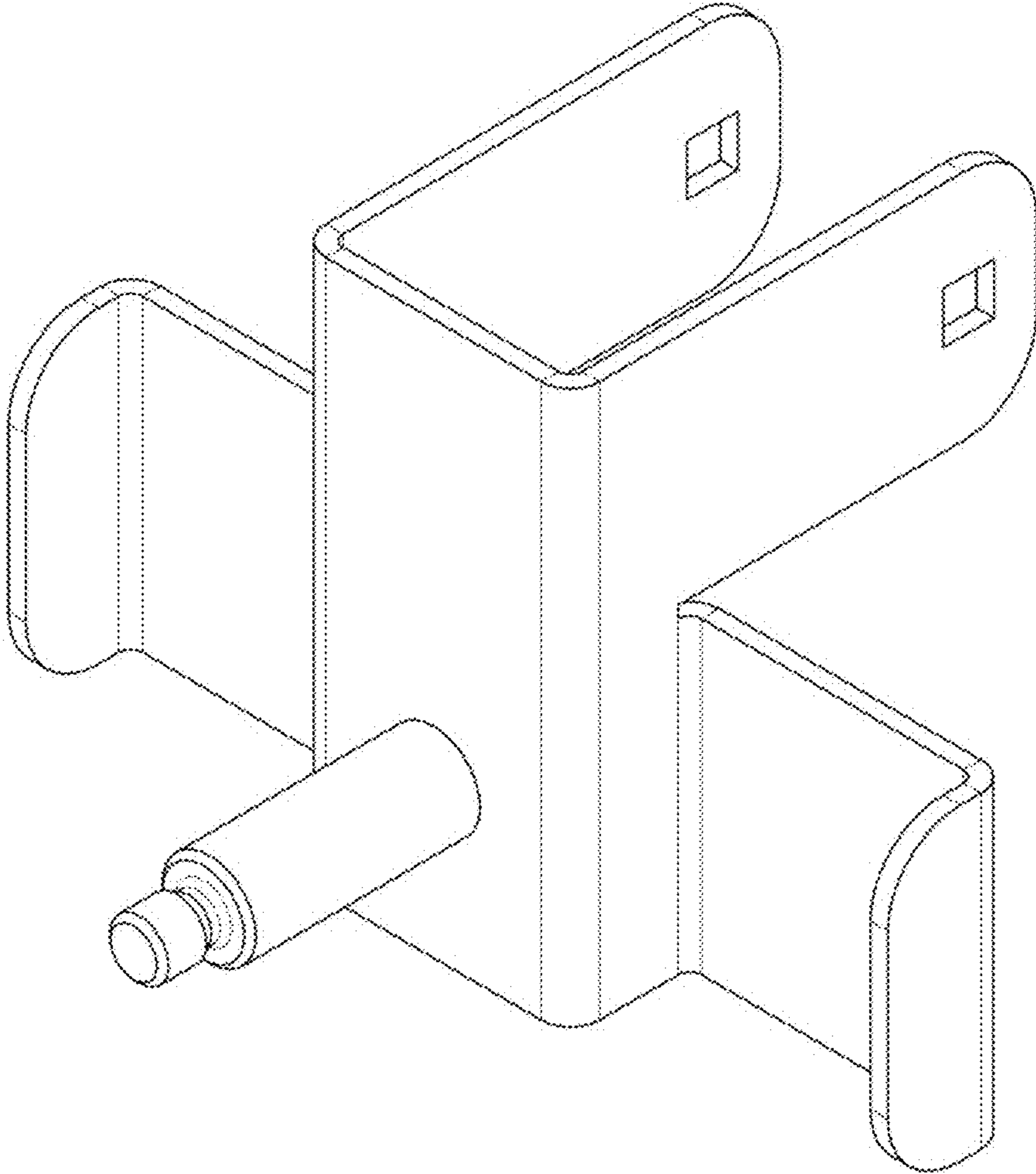
(56)

**References Cited**

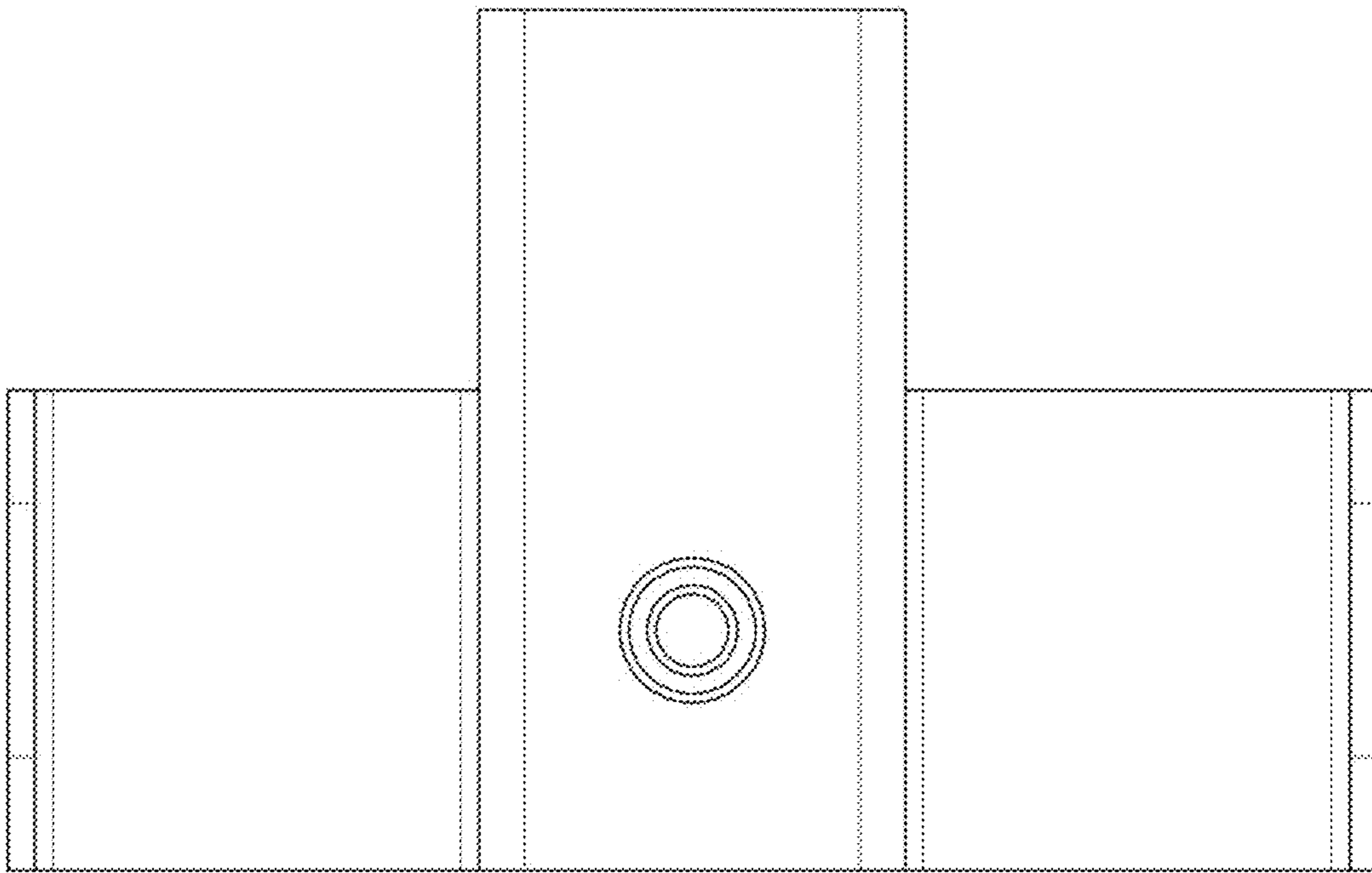
U.S. PATENT DOCUMENTS

D866,298	S	*	11/2019	Kanter	.....	D8/354
D867,106	S	*	11/2019	Blattel	.....	D8/349
D869,936	S	*	12/2019	Smith	.....	D8/349
D872,559	S	*	1/2020	Harms	.....	D8/349
D874,246	S	*	2/2020	Stekr	.....	D8/354
D874,249	S	*	2/2020	Stekr	.....	D8/354
D902,015	S	*	11/2020	Priola	.....	D8/354
D903,468	S	*	12/2020	Gustafsson Salmonsson	.....	D8/349
D906,788	S	*	1/2021	Ochi	.....	D8/354
D912,496	S	*	3/2021	Fox	.....	D8/354
D912,497	S	*	3/2021	Herbertsson	.....	D8/354
D915,180	S	*	4/2021	Priola	.....	D8/354
D925,338	S	*	7/2021	Dedios-Shirley	.....	D8/354
D931,711	S	*	9/2021	Sharma	.....	D8/354
D936,468	S	*	11/2021	Bengtsson	.....	D8/382

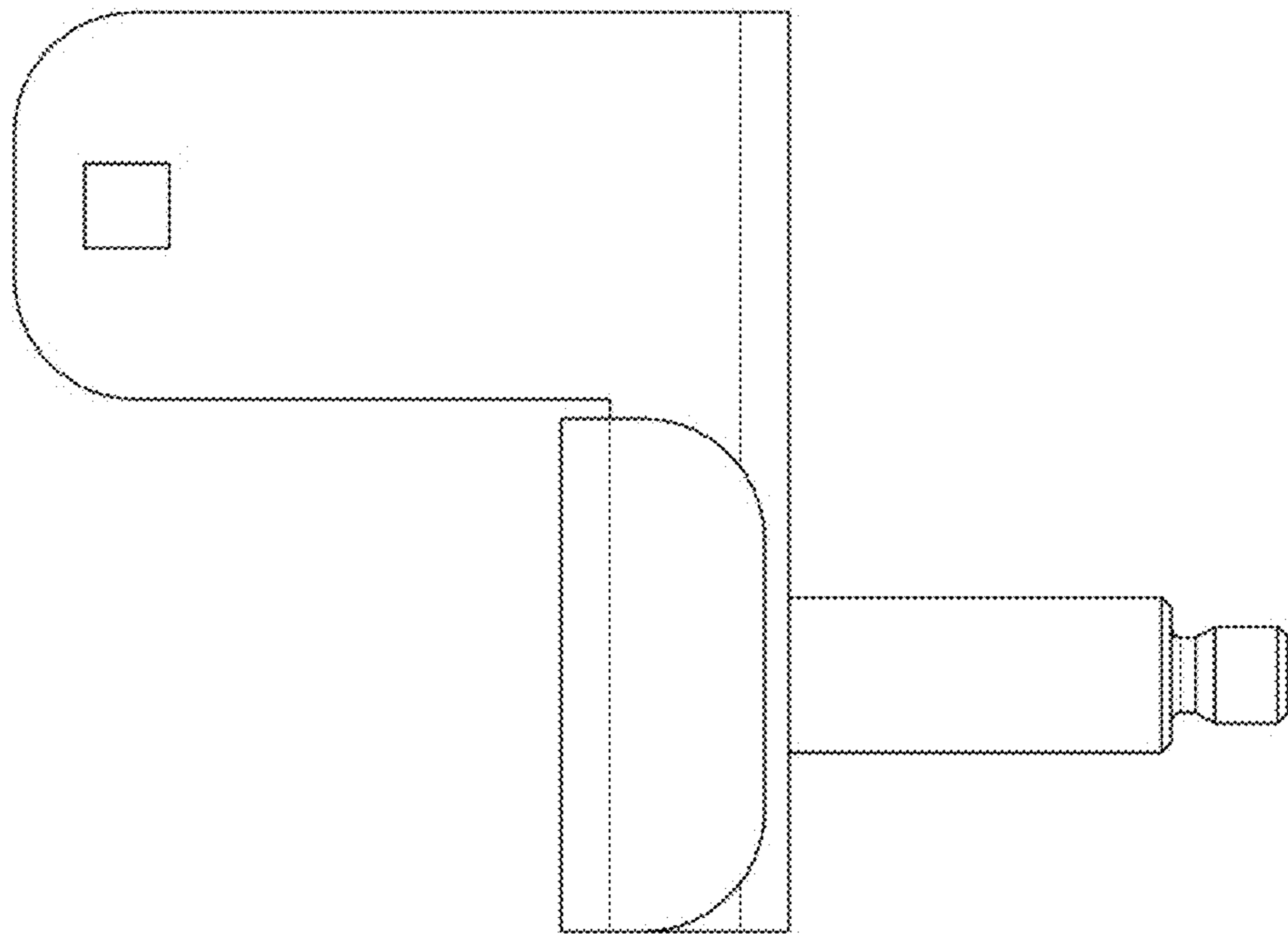
\* cited by examiner



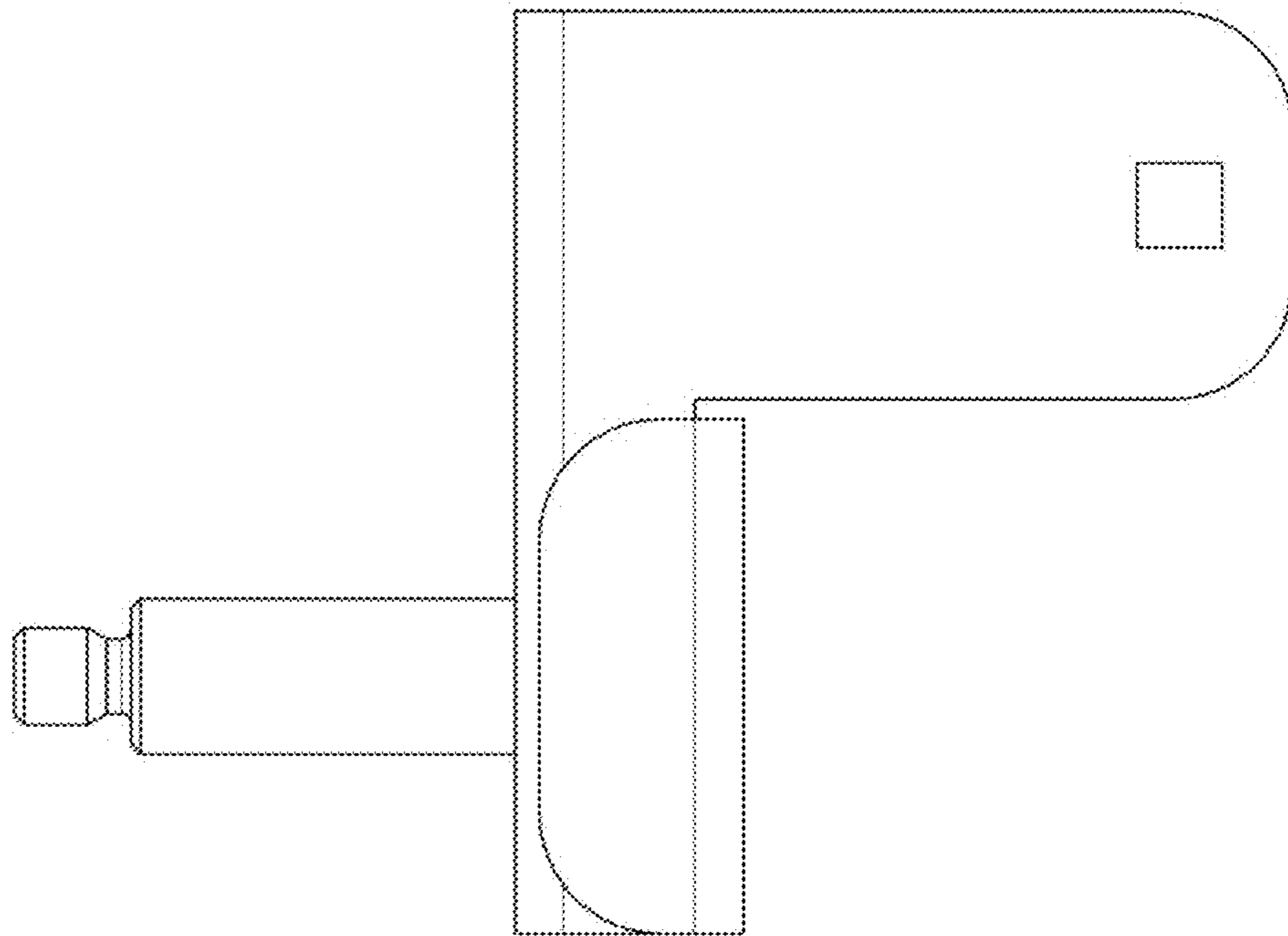
1.1



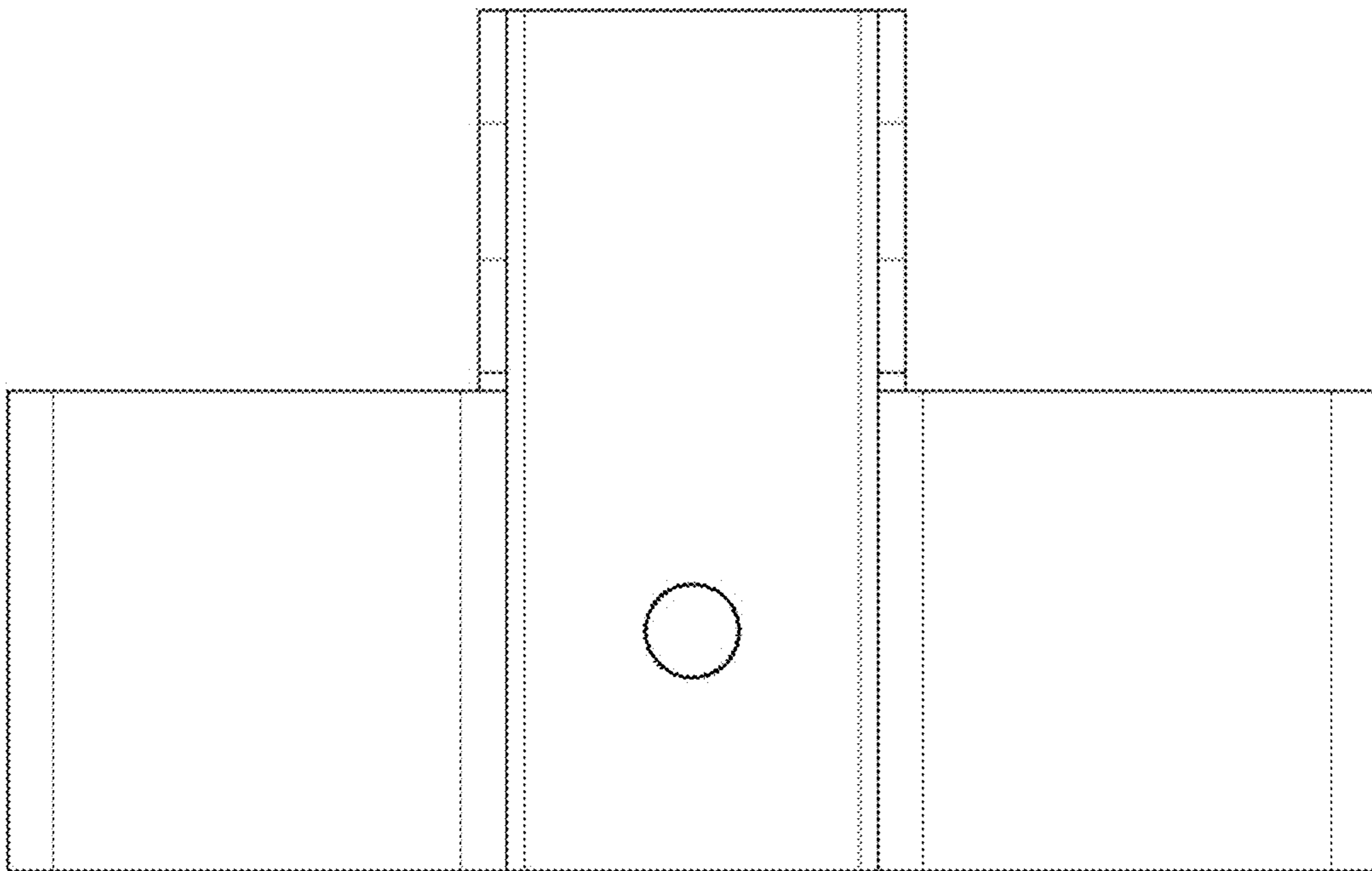
1.2



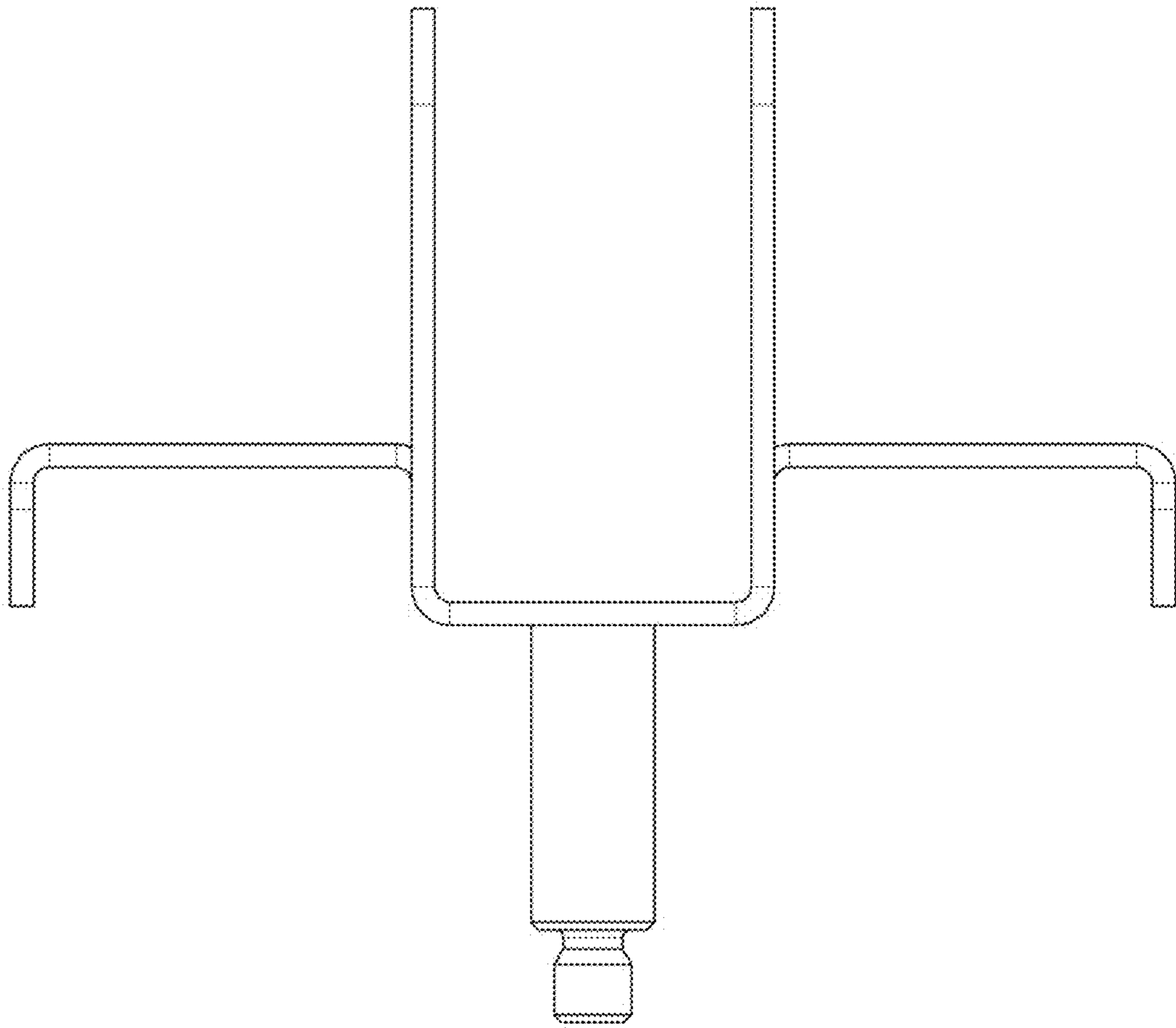
1.3



1.4

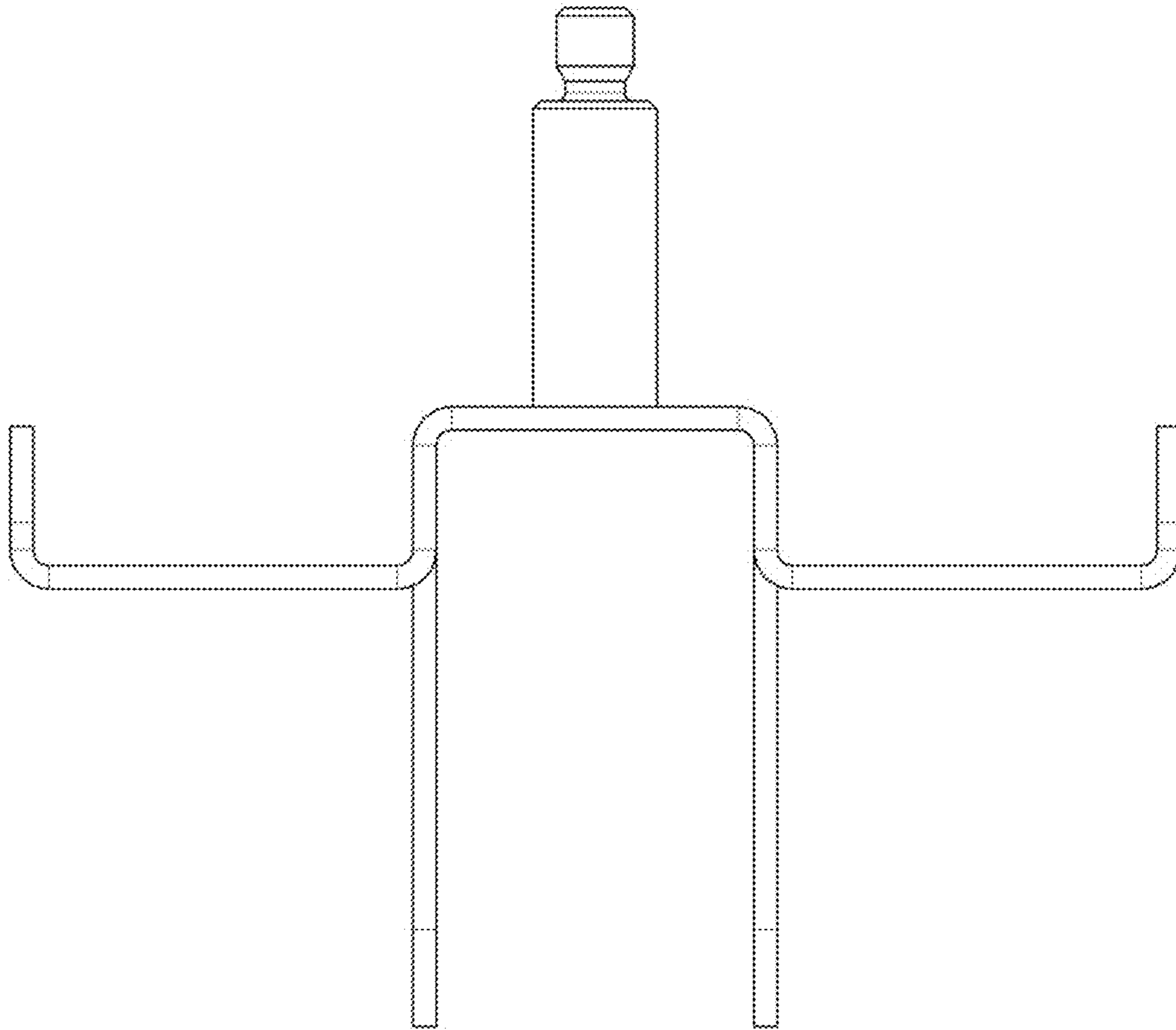


1.5



1.6





1.7