



US00D953852S

(12) **United States Design Patent** (10) **Patent No.:** **US D953,852 S**  
**Sun** (45) **Date of Patent:** **\*\* Jun. 7, 2022**

(54) **SHOWER CURTAIN ROD**

(71) Applicant: **Junjie Sun**, Sichuan (CN)

(72) Inventor: **Junjie Sun**, Sichuan (CN)

(\*\*) Term: **15 Years**

(21) Appl. No.: **29/688,384**

(22) Filed: **Apr. 20, 2019**

(51) **LOC (13) Cl.** ..... **08-11**

(52) **U.S. Cl.**  
USPC ..... **D8/376**

(58) **Field of Classification Search**

USPC ..... D8/354, 16–17, 19, 37, 47, 71, 89, 101,  
D8/363, 373, 376–377, 390–391, 404;  
D6/512, 524, 528, 534, 672; D25/119,  
D25/122–123; D12/190, 195;  
D21/678–679, 701, 808, 803  
CPC ..... E06B 2009/2405; E06B 2009/2458; E06B  
9/24; E06B 9/42; E06B 9/50; A47G  
33/004; A47H 1/00; A47H 13/00; A47H  
15/00; B44C 1/18; B44C 5/02; B44C  
5/04; B44C 5/0415; E01B 11/00

See application file for complete search history.

(56) **References Cited**

**U.S. PATENT DOCUMENTS**

D245,756 S \* 9/1977 McKee ..... D25/57  
D303,887 S \* 10/1989 Reid ..... D6/709.21  
D368,851 S \* 4/1996 Cole ..... D8/376  
D378,491 S \* 3/1997 Chretien ..... D8/376  
D385,178 S \* 10/1997 Poulin ..... D8/376  
D389,038 S \* 1/1998 Rosul ..... D8/376  
D522,845 S \* 6/2006 Suero ..... D8/378  
D522,846 S \* 6/2006 Suero, Jr. .... D8/378  
D522,847 S \* 6/2006 Suero, Jr. .... D8/376  
D525,115 S \* 7/2006 Harwanko ..... D8/376  
D530,132 S \* 10/2006 Ivankovic ..... D6/580  
D549,085 S \* 8/2007 Mevissen ..... D8/376  
D578,871 S \* 10/2008 Rogers ..... D8/376

D592,944 S \* 5/2009 Kollman ..... D8/376  
D604,151 S \* 11/2009 Kollman ..... D8/376  
D630,934 S \* 1/2011 Kollman ..... D8/376  
D681,423 S \* 5/2013 Walker ..... D8/376  
D684,037 S \* 6/2013 Harwanko ..... D8/376  
D691,029 S \* 10/2013 Didehvar ..... D8/376  
D746,668 S \* 1/2016 Keegan ..... D8/376  
D793,734 S \* 8/2017 Liang ..... D8/376

(Continued)

**OTHER PUBLICATIONS**

IMBTECH Shower Curtain Tension Rod, Date Visited: Jan. 29, 2022, Amazon, Date Available: Oct. 26, 2021, <https://www.amazon.co.uk/IMBTECH-Extendable-Telescopic-Drilling-110-200CM/dp/B09KC68XHR> (Year: 2021).\*

(Continued)

*Primary Examiner* — Susan Bennett Hattan

*Assistant Examiner* — Elizabeth S Ko

(57) **CLAIM**

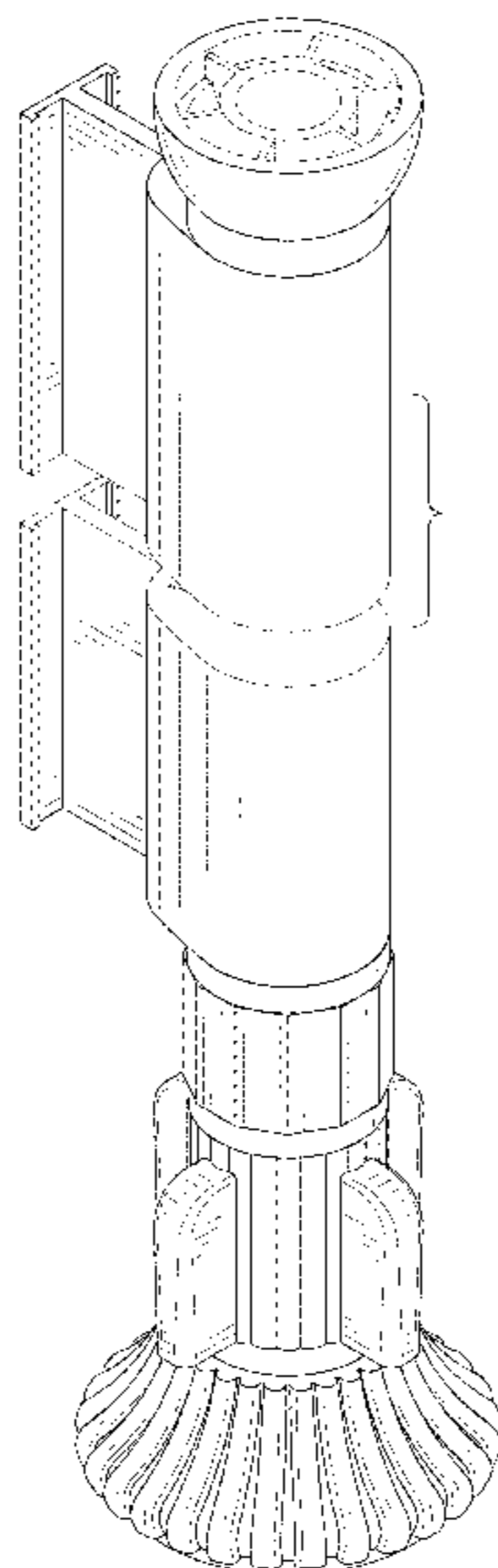
The ornamental design for a shower curtain rod, as shown and described.

**DESCRIPTION**

FIG. 1 is a top, front and right side perspective view of a shower curtain rod showing my new design;  
FIG. 2 is a bottom, rear and left side perspective view thereof;  
FIG. 3 is a front elevational view thereof;  
FIG. 4 is a rear elevational view thereof;  
FIG. 5 is a left side view thereof;  
FIG. 6 is a right side view thereof;  
FIG. 7 is a top plan view thereof;  
FIG. 8 is a bottom plan view thereof; and,  
FIG. 9 is an enlarged view of portion 9 in FIG. 2.

The drawings contain a symbolic break. The portion of the curtain rod between the break lines forms no part of the claimed design.

**1 Claim, 9 Drawing Sheets**



(56)

**References Cited**

U.S. PATENT DOCUMENTS

D864,701 S \* 10/2019 Huang ..... D8/376  
D867,864 S \* 11/2019 Haruta ..... D8/376  
D937,066 S \* 11/2021 Willey ..... D8/71

OTHER PUBLICATIONS

China Head Rail for Roller Blinds factory, Date Visited: Jan. 29, 2022, Group Eve, Date Available: Jan. 29, 2022, <https://www.groupeve.com/bottom-rail-for-roller-blinds-product/> (Year: 2022).\*

G11318 Elegant Bottom Rail for Roller Blind, Date Visited: Jan. 29, 2022, Made in China, Date Available: Jan. 29, 2022, <https://m.made-in-china.com/product/G11318-Elegant-Bottom-Rail-for-Roller-Blind-912321085.html> (Year: 2022).\*

Stainless Steel Spring Tension Rod Extendable 2018, Date Visited: Jan. 29, 2022, Amazon, Date Available: Dec. 7, 2018, <https://www.amazon.co.uk/Frenessa-Stainless-Extendable-Telescopic-Adjustable/dp/B07L4P7P2X/> (Year: 2018).\*

\* cited by examiner

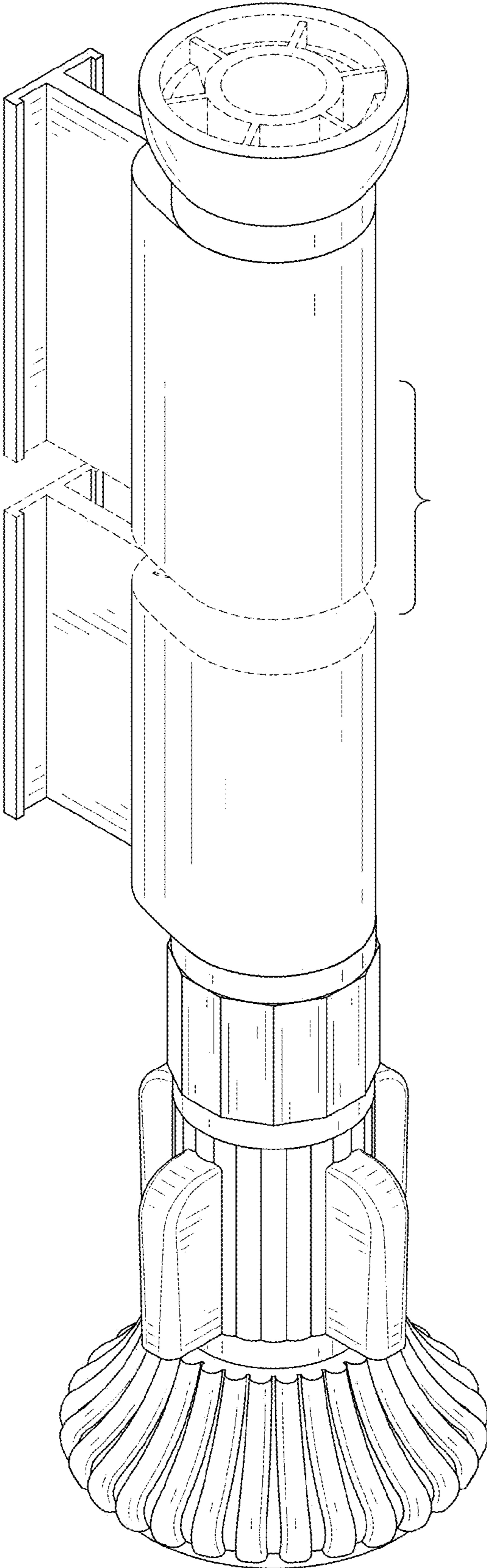


FIG. 1

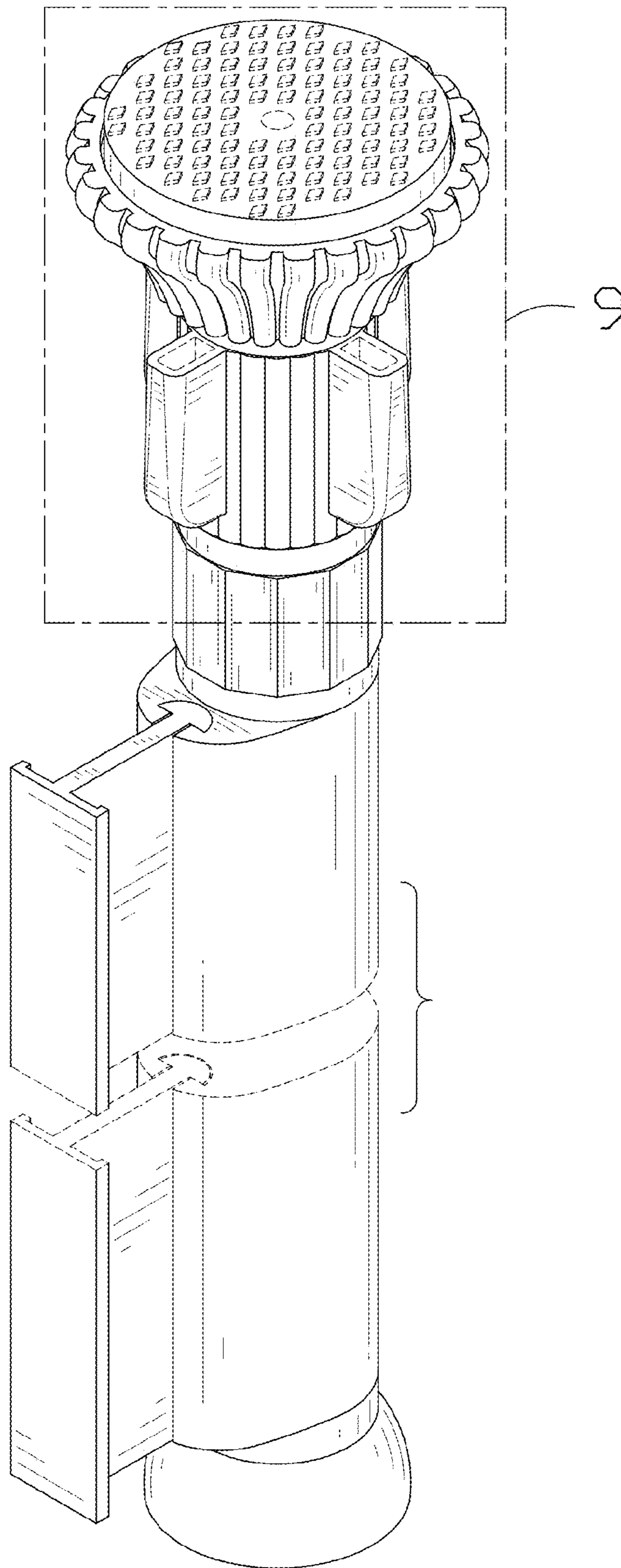


FIG. 2

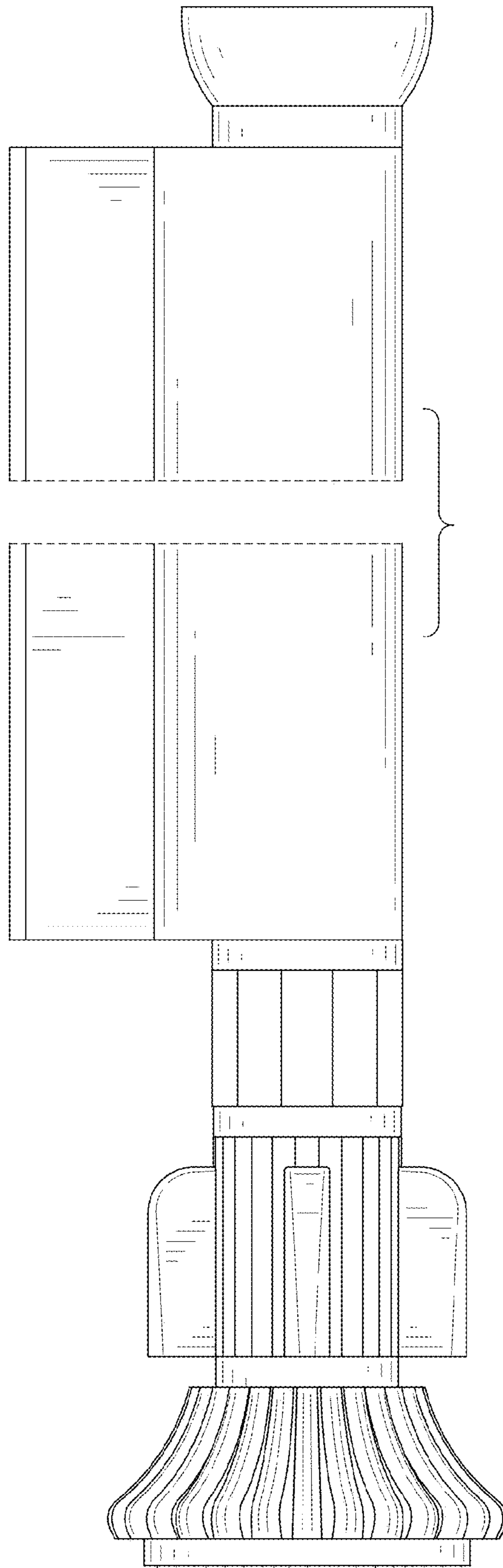


FIG. 3

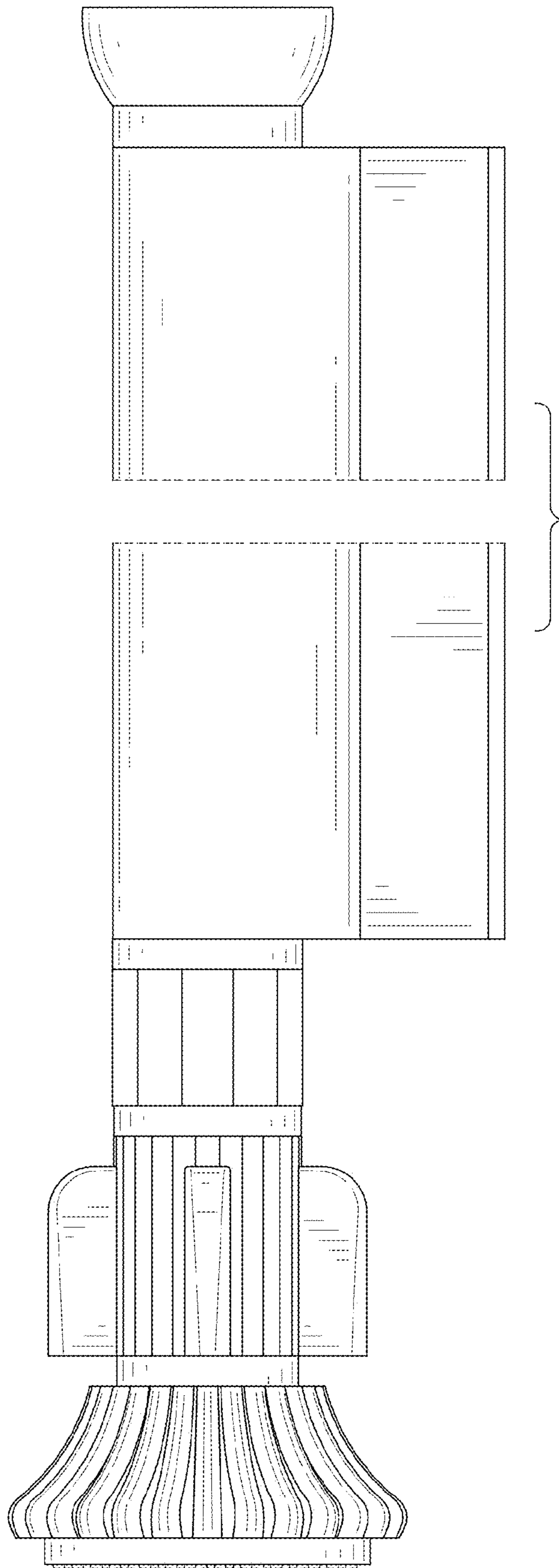


FIG. 4

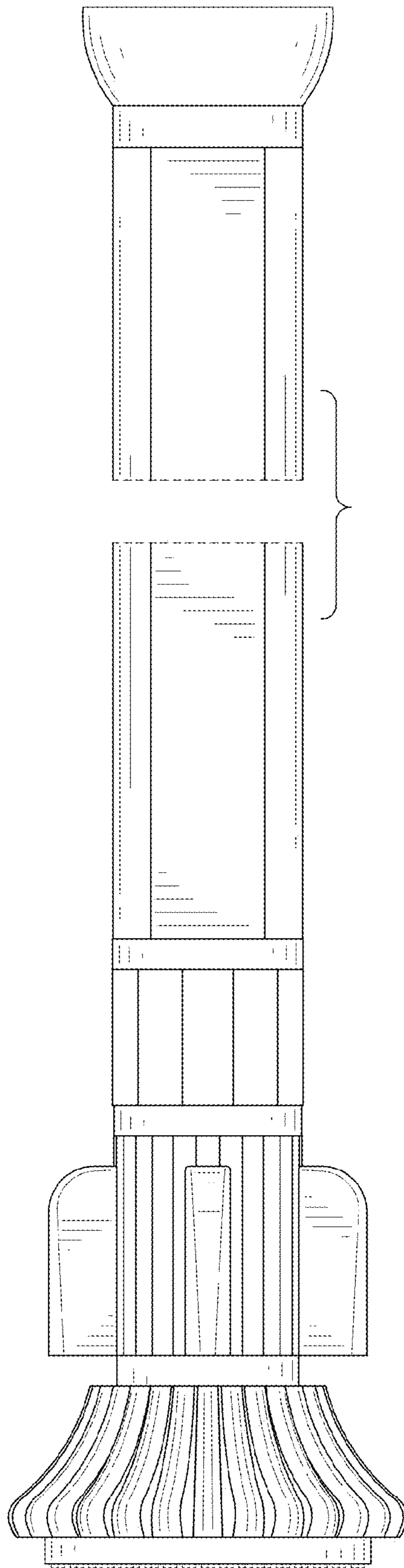


FIG. 5

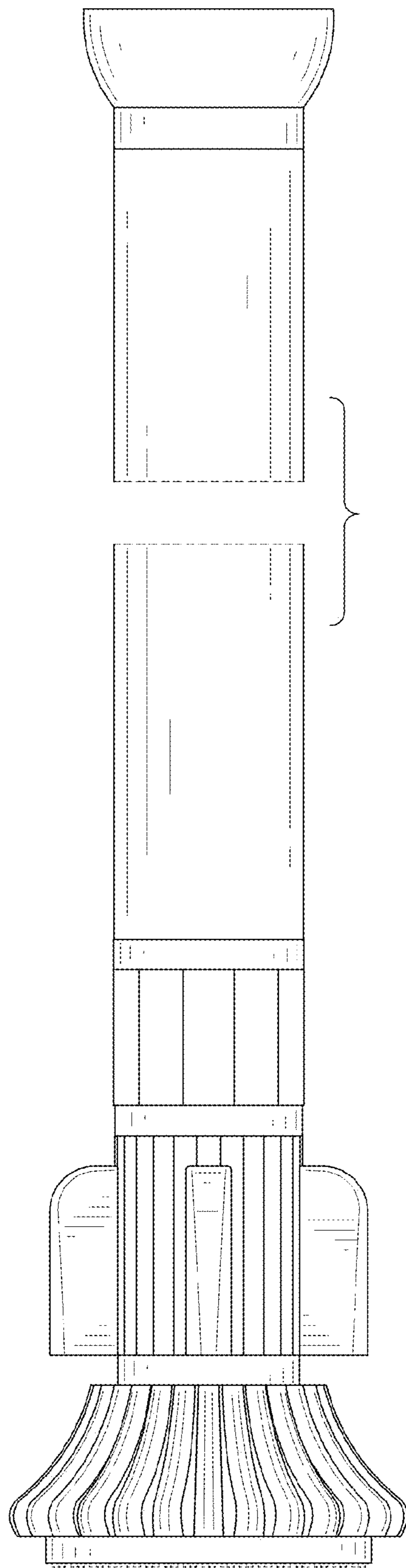


FIG. 6



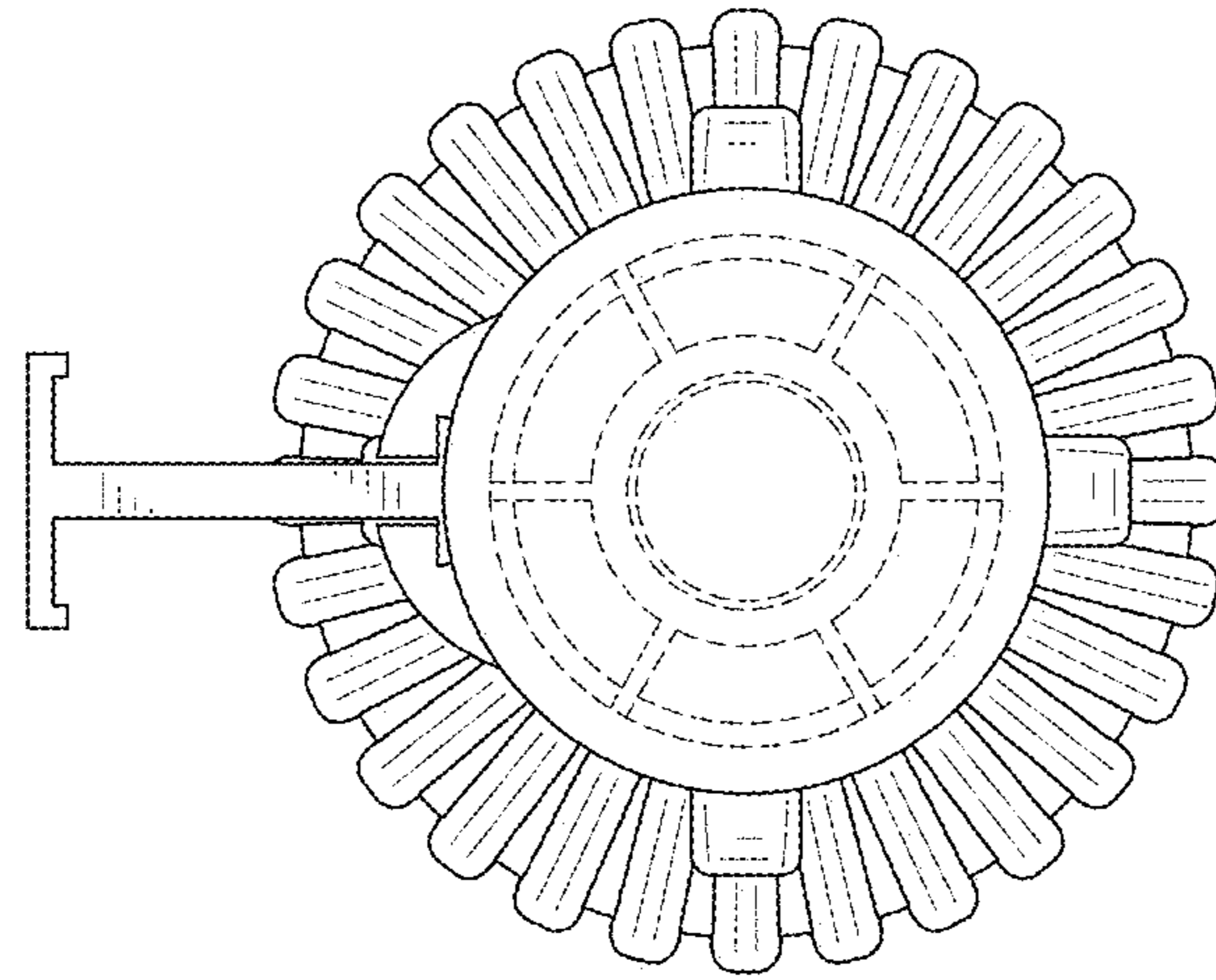


FIG. 7

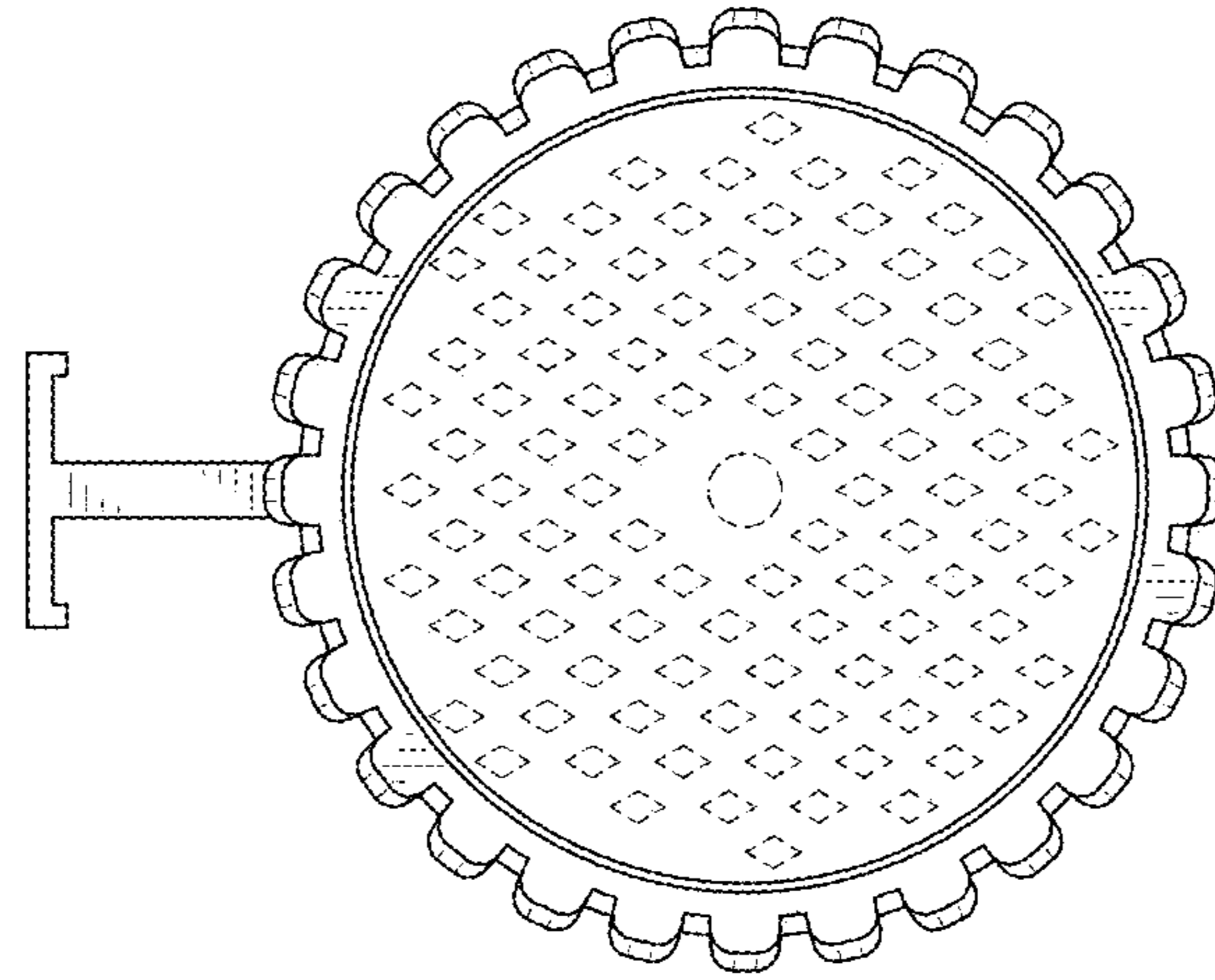


FIG. 8

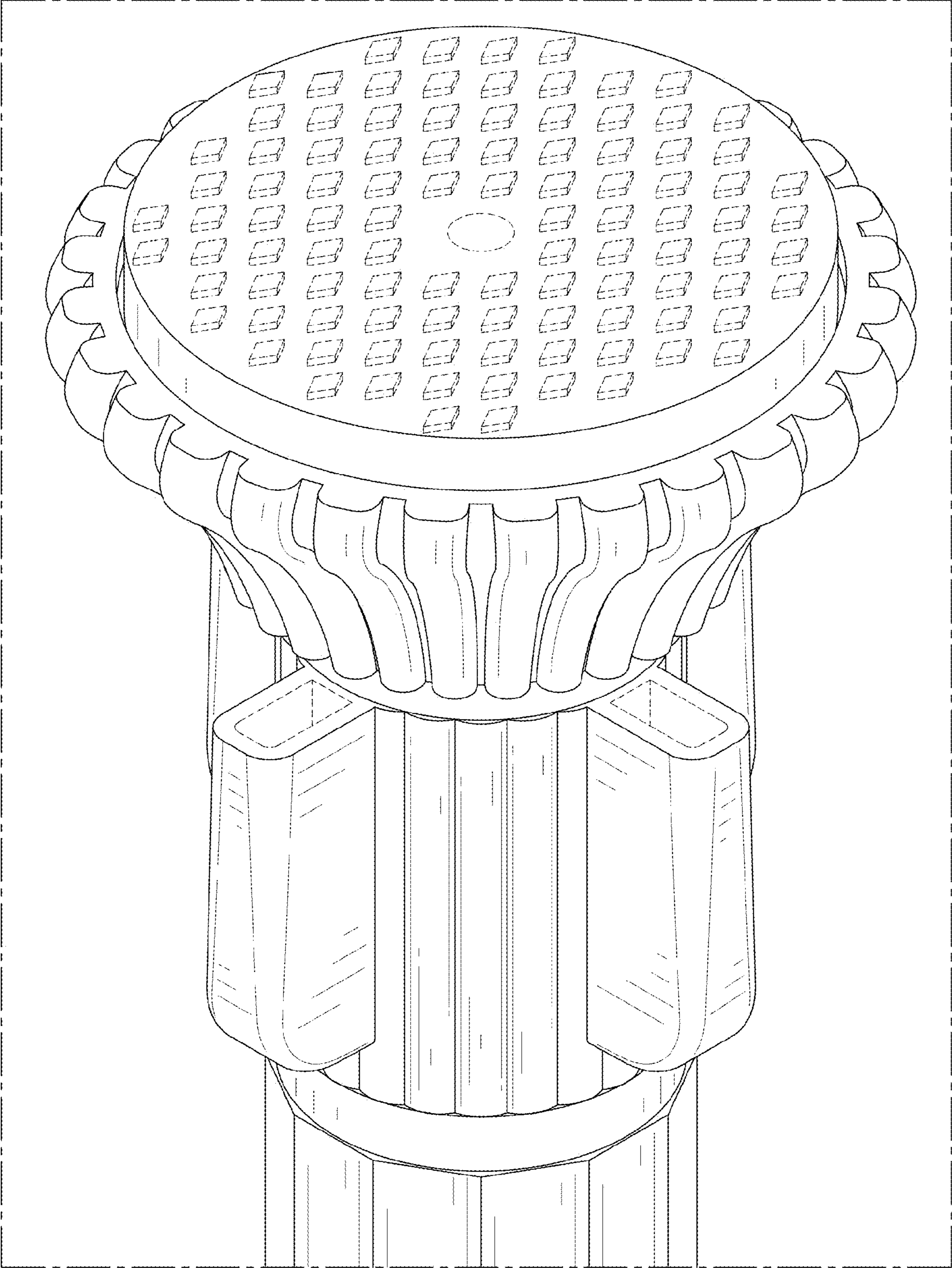


FIG. 9