



US00D953851S

(12) **United States Design Patent** (10) **Patent No.:** **US D953,851 S**
Olsen (45) **Date of Patent:** **** Jun. 7, 2022**

(54) **CASTER WHEEL**

- (71) Applicant: **NGI A/S**, Nørresundby (DK)
- (72) Inventor: **Tomas Hecht Olsen**, Nørresundby (DK)
- (73) Assignee: **NGI A/S**, Nørresundby (DK)
- (**) Term: **15 Years**
- (21) Appl. No.: **29/722,902**
- (22) Filed: **Feb. 3, 2020**
- (51) **LOC (13) Cl.** **08-05**
- (52) **U.S. Cl.**
USPC **D8/375**
- (58) **Field of Classification Search**
USPC D8/315, 321–322, 373–375
CPC B60B 5/00; B60B 33/00; B60B 33/0039;
B60B 33/0049
See application file for complete search history.

(56) **References Cited**

U.S. PATENT DOCUMENTS

D241,611 S *	9/1976	Crescenzi et al.	D8/375
D340,182 S *	10/1993	Soltani	D8/375
D343,788 S *	2/1994	Soltani	D8/375
D456,697 S *	5/2002	Holbrook	D8/375
D457,809 S *	5/2002	Holbrook	D8/375
D463,257 S *	9/2002	Stickel	D8/375
D465,725 S *	11/2002	Holbrook	D8/375
D561,014 S *	2/2008	Brodbeck	D8/375
D576,868 S *	9/2008	Minamiura	D8/375
D603,690 S *	11/2009	Rhein	D8/375
D637,069 S *	5/2011	Venne	D8/375
D653,526 S *	2/2012	Melara	D8/375
D778,146 S *	2/2017	Kausemann	D8/375
D795,045 S *	8/2017	Diz	B60B 33/0028 D8/375
D804,939 S *	12/2017	Starck	D8/375
D917,945 S *	5/2021	DeVries	D6/708.24
2005/0086765 A1 *	4/2005	Melara	B60B 33/0042 16/22
2015/0348347 A1 *	12/2015	Diz	B60B 5/02 340/5.61
2021/0394557 A1 *	12/2021	Hecht Olsen	B60B 33/0028

OTHER PUBLICATIONS

- “Casters for IPU Shower and Commode Chairs”, Jan. 2, 2017, Amazon.com, site visited Nov. 8, 2021: <https://www.amazon.com/Deluxe-Replacement-Casters-IPU-Commode/dp/B01N0WWZUG> (Year: 2017).*
- “Caster Industries S30 Foodhandling Casters”, Nov. 21, 2018, CasterIndustries.com, site visited Nov. 8, 2021: <https://web.archive.org/web/20181121131054/https://www.casterindustries.com/s30-series-foodhandling-casters.html> (Year: 2018).*
- “MUMA 4-inch TPR Medical Wheel Caster”, Sep. 16, 2019, Amazon.com, site visited Nov. 8, 2021: <https://www.amazon.com/MUMA-4-inch-Medical-Furniture-Equipment/dp/B07XY1ZM28> (Year: 2019).*

* cited by examiner

Primary Examiner — Jack Reickel

Assistant Examiner — Michael A Kervin

(74) *Attorney, Agent, or Firm* — Nath, Goldberg & Meyer; Jerald L. Meyer

(57) **CLAIM**

The ornamental design for a caster wheel, as shown and described.

DESCRIPTION

FIG. 1 is a perspective view of the caster wheel;
FIG. 2 is a front view thereof;
FIG. 3 is a rear view thereof;
FIG. 4 is a right side view thereof;
FIG. 5 is a left side view thereof;
FIG. 6 is a top view thereof; and,
FIG. 7 is a bottom view thereof.

The broken line showing of a caster wheel is included for the purpose of illustrating portions of the article and forms no part of the claimed design.

1 Claim, 7 Drawing Sheets

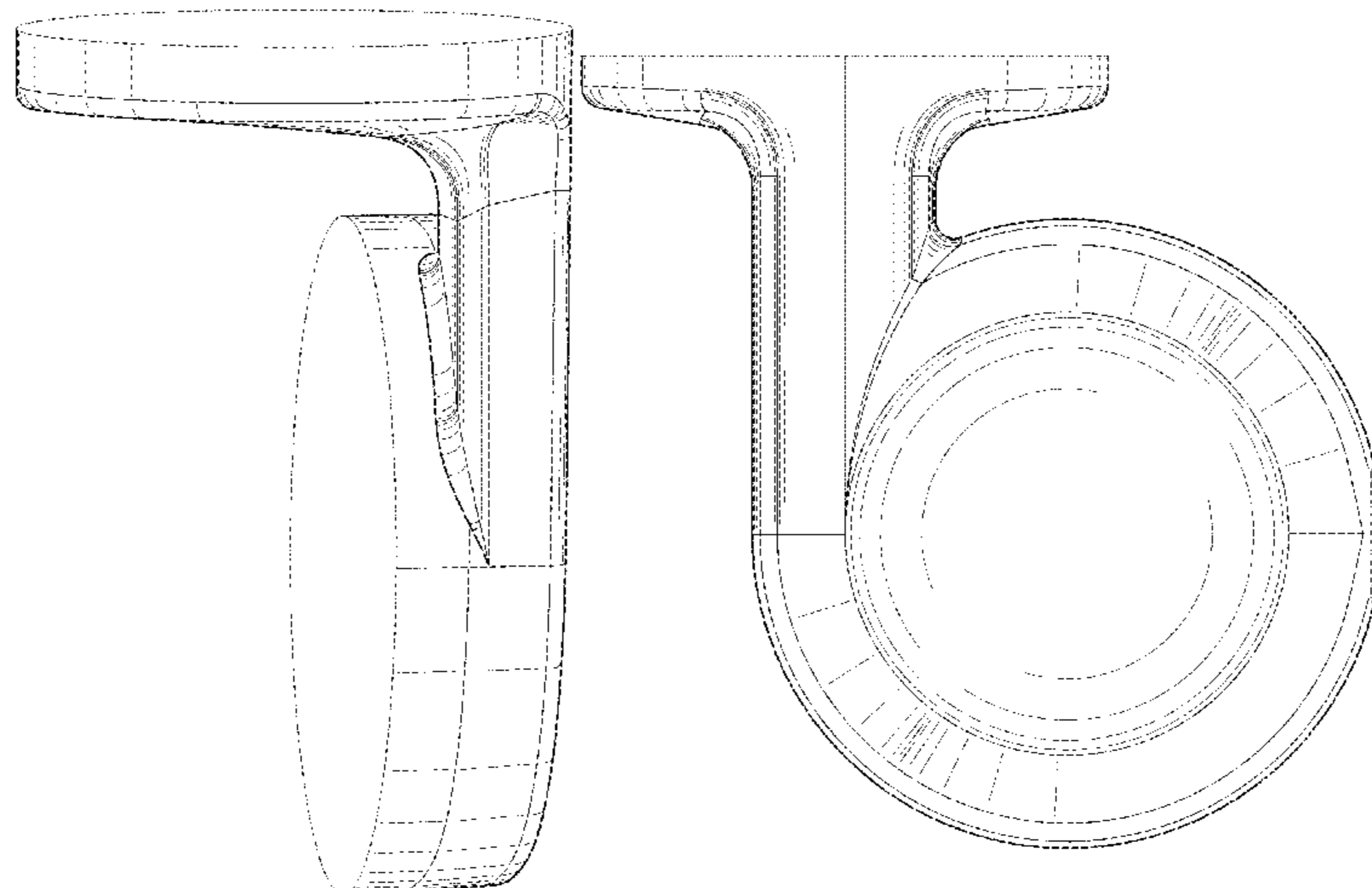


FIG. 1

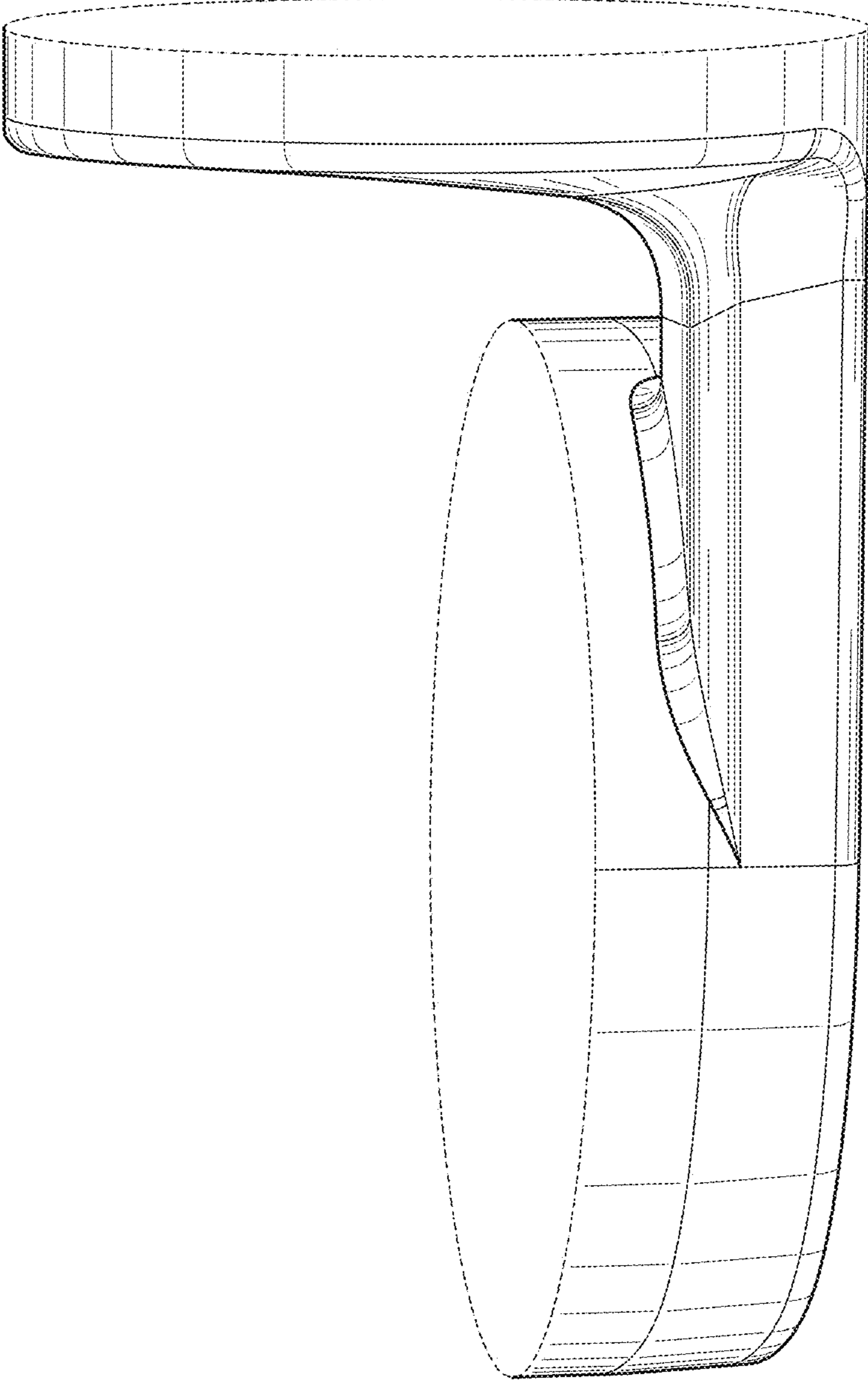


FIG. 2

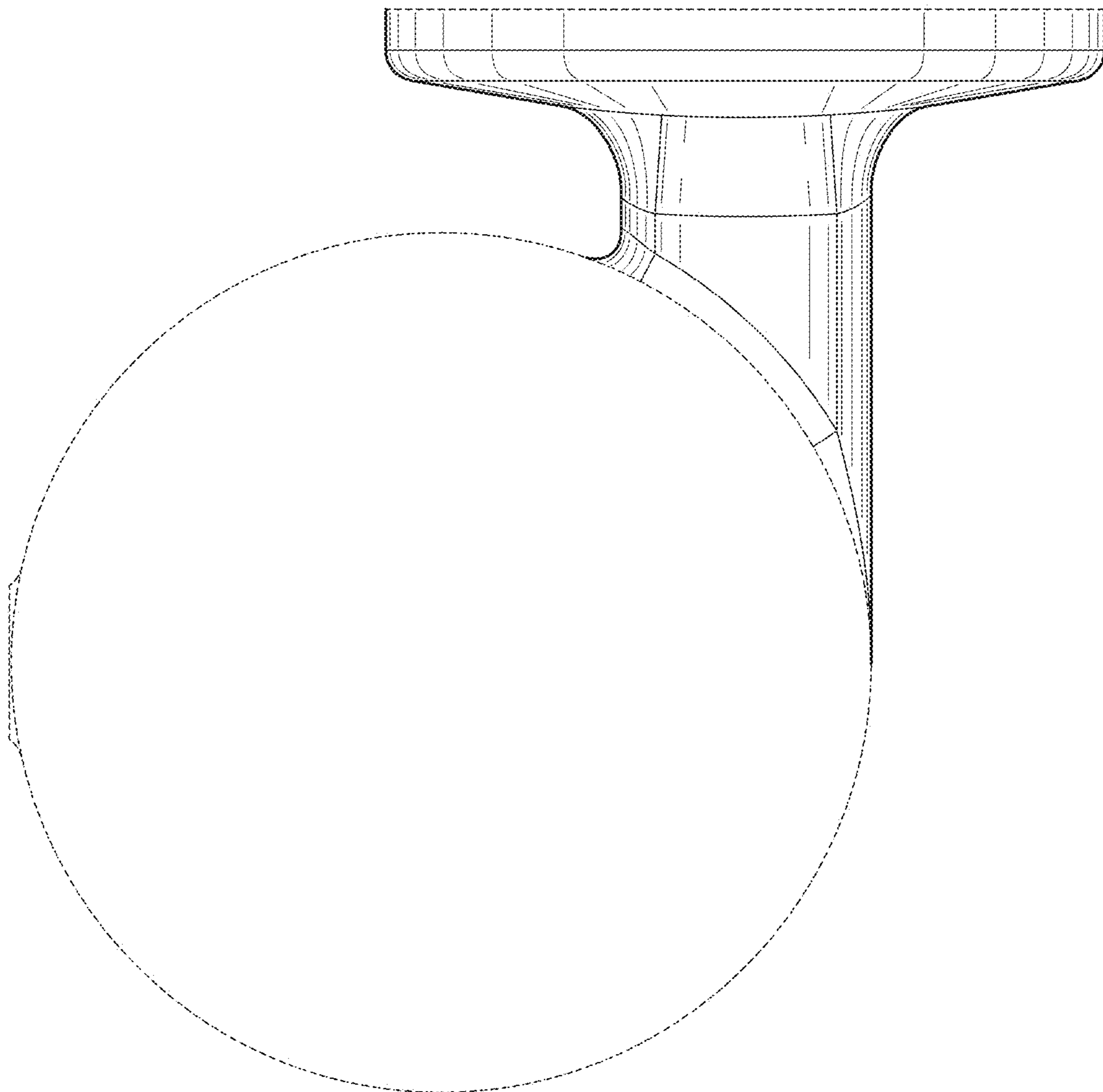


FIG. 3

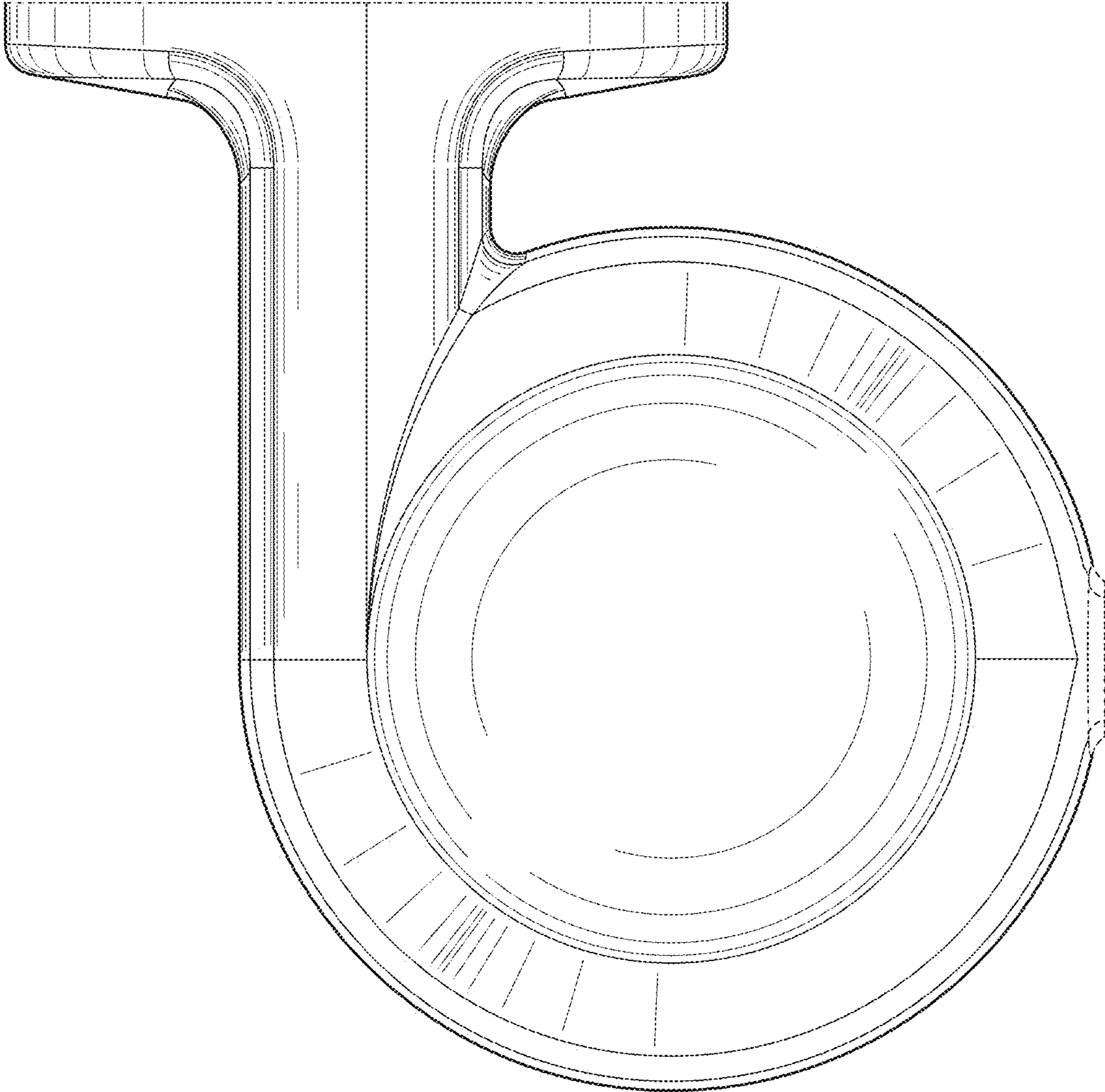


FIG. 4

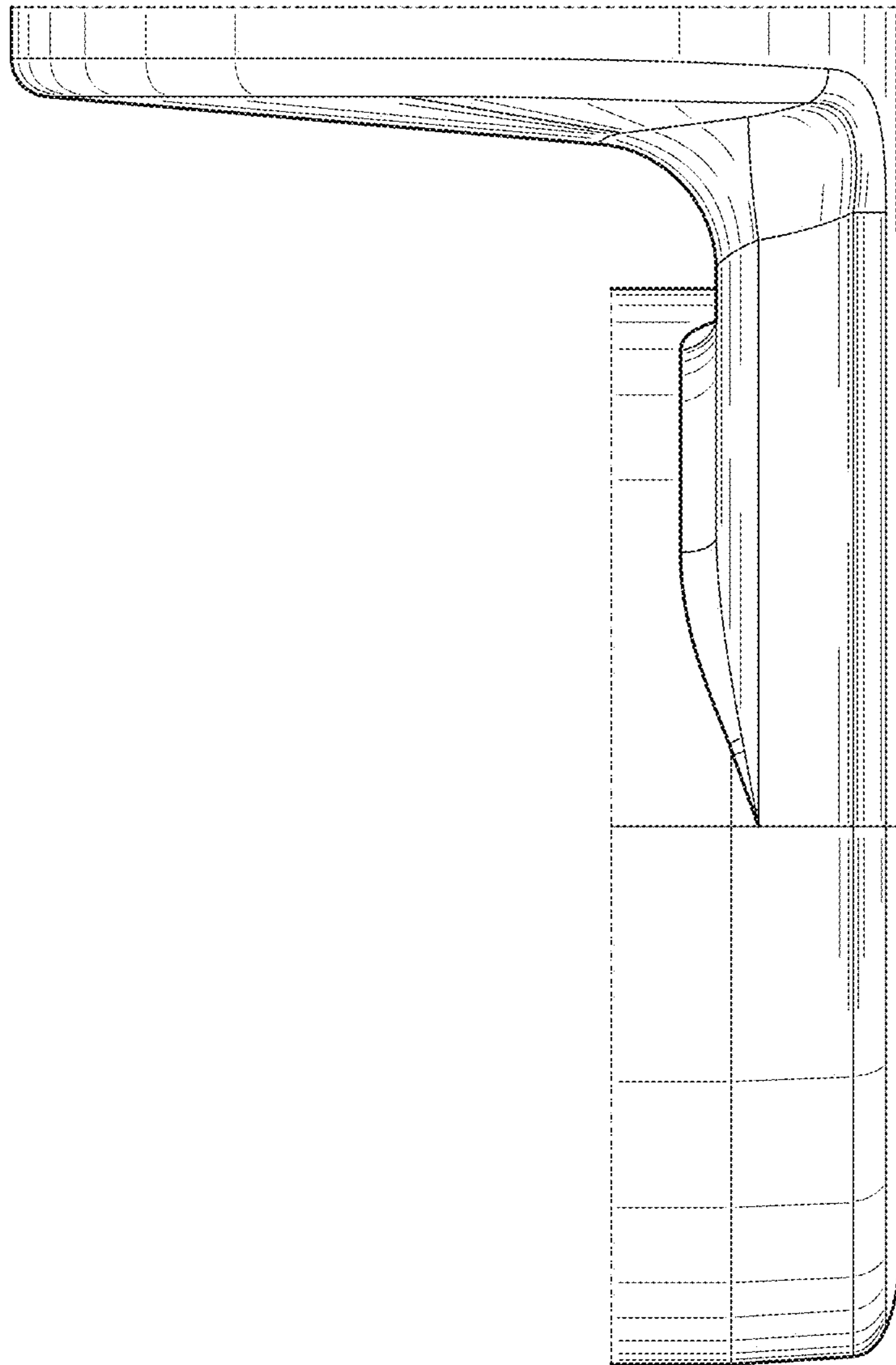


FIG. 5

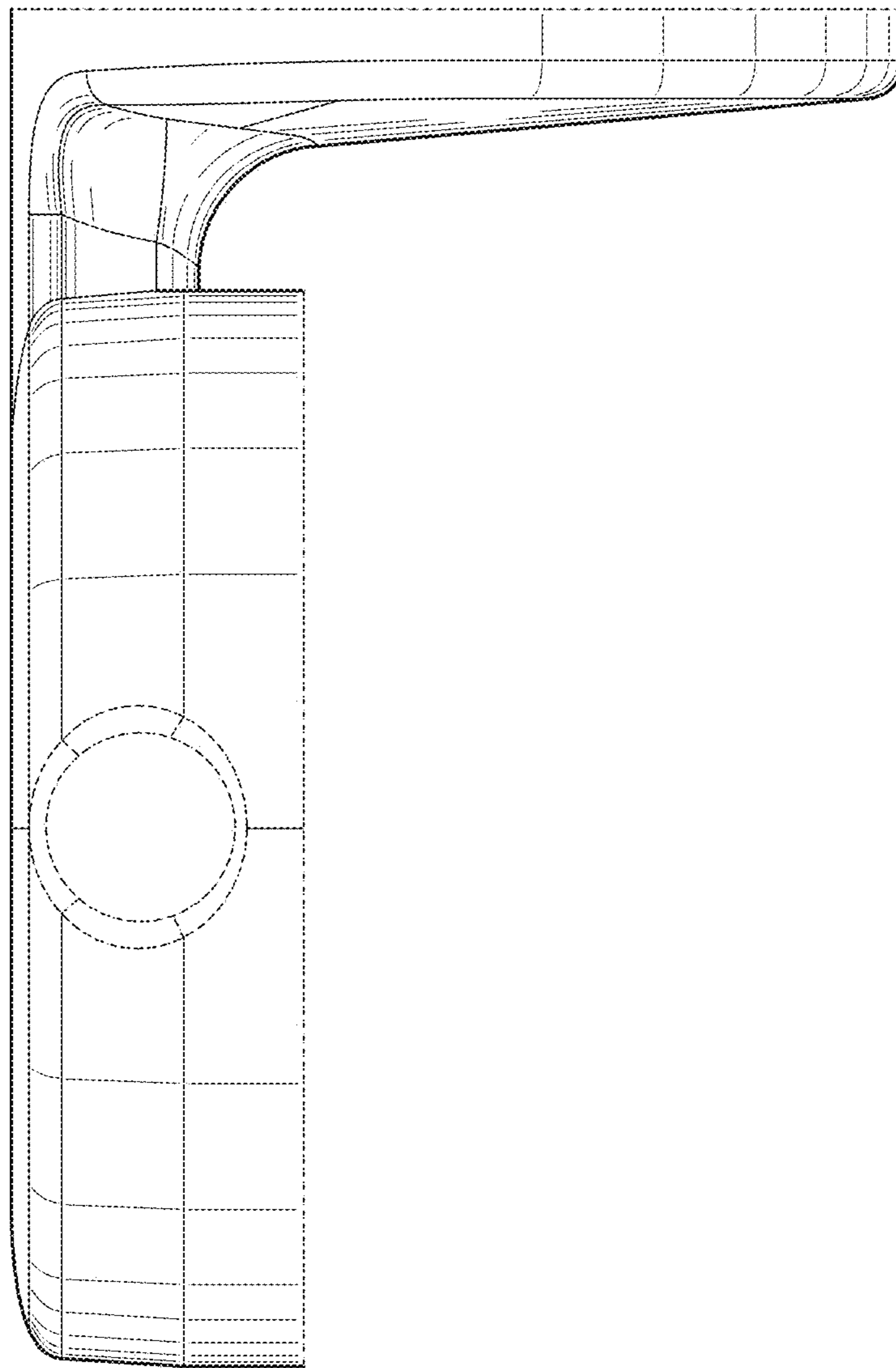


FIG. 6

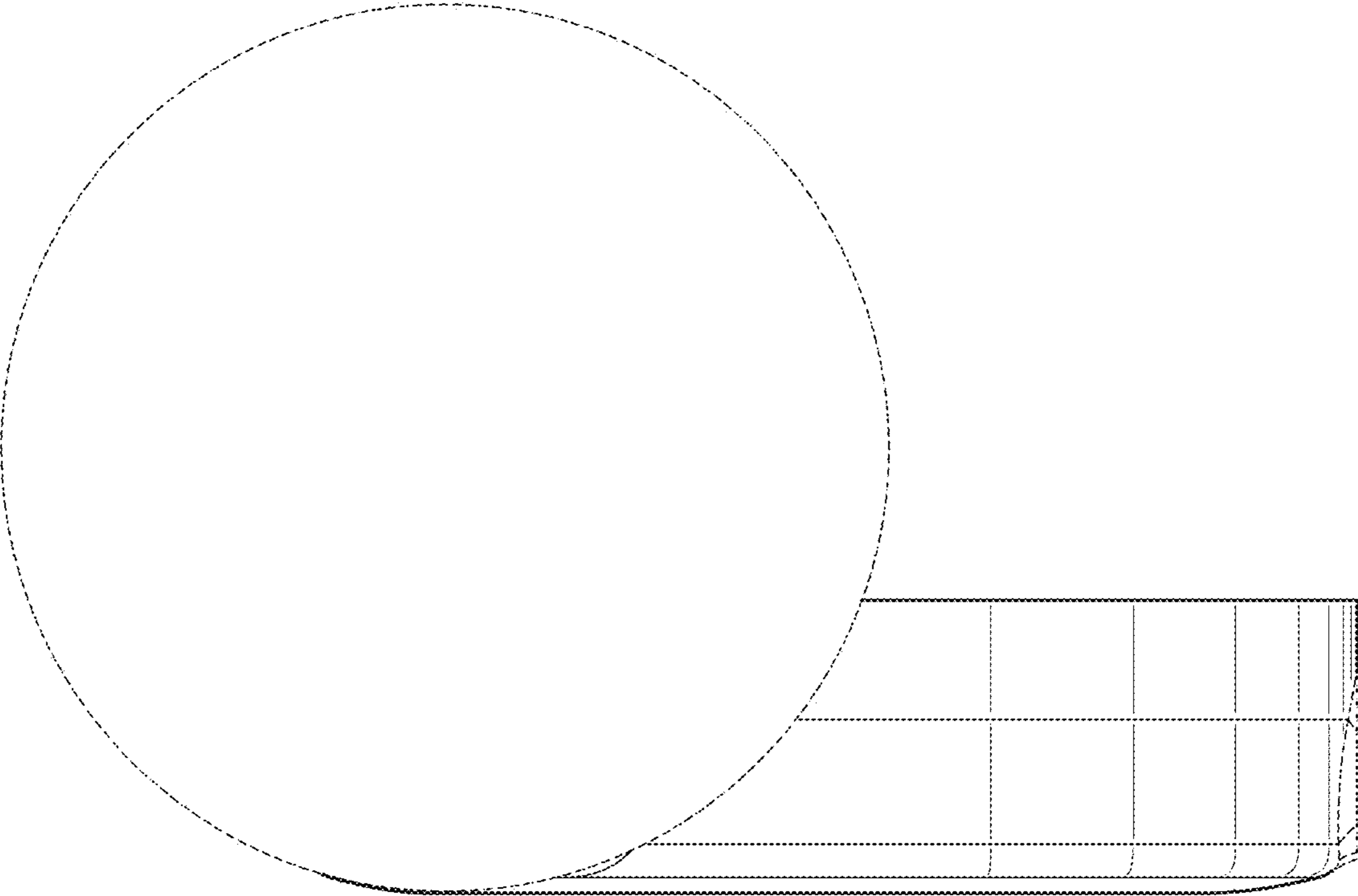


FIG. 7

