



US00D953850S

(12) **United States Design Patent**  
**Egan**

(10) **Patent No.:** **US D953,850 S**  
(45) **Date of Patent:** **\*\* Jun. 7, 2022**

(54) **CARGO CONTAINER FOOTER** 5,797,226 A \* 8/1998 MacKarvich ..... E04B 1/34347  
52/155

(71) Applicant: **CARGOTECTURE, LLC**, Seattle, WA (US) 5,953,874 A \* 9/1999 Hoffman ..... E04B 1/003  
52/299

(72) Inventor: **Joel Egan**, Seattle, WA (US) 6,910,832 B2 6/2005 Gagliano  
7,326,003 B2 2/2008 Gagliano  
2002/0079421 A1\* 6/2002 Harris ..... F16M 7/00  
248/678

(73) Assignee: **Cargotecture LLC**, Seattle, WA (US) 2005/0025577 A1\* 2/2005 Gagliano ..... E02D 27/14  
405/239

(\*\*) Term: **15 Years** 2005/0238441 A1\* 10/2005 Gagliano ..... E02D 27/02  
405/229

(21) Appl. No.: **29/661,663** 2019/0271133 A1\* 9/2019 Maxwell ..... E02D 13/00

(22) Filed: **Aug. 29, 2018**

(51) **LOC (13) Cl.** ..... **08-05**

(52) **U.S. Cl.**  
USPC ..... **D8/374**

(58) **Field of Classification Search**  
USPC ..... D8/354, 366, 371, 372, 367, 374, 373,  
D8/376, 375; D17/9, 20, 99; D6/708.16,  
D6/710; D12/414.1; D25/1, 127, 134  
CPC ..... B60B 33/00; B60B 33/0042  
See application file for complete search history.

\* cited by examiner

*Primary Examiner* — Eliza Z Harvey  
(74) *Attorney, Agent, or Firm* — Lowe Graham Jones  
PLLC

(57) **CLAIM**

The ornamental design for a cargo container footer, as shown and described.

**DESCRIPTION**

FIG. 1 is a top, front, right isometric view of a cargo container footer showing my new design.  
FIG. 2 is a front elevation view thereof.  
FIG. 3 is a rear elevation view thereof.  
FIG. 4 is a left side elevation view thereof.  
FIG. 5 is a right side elevation view thereof; and,  
FIG. 6 is a top plan view thereof.  
The portions of the design shown in broken lines are for environmental purposes only and form no part of the claimed design.

(56) **References Cited**

U.S. PATENT DOCUMENTS

490,651 A \* 1/1893 Hansen ..... E04H 12/2261  
52/292

708,936 A \* 9/1902 Strom ..... E02D 27/02  
52/292

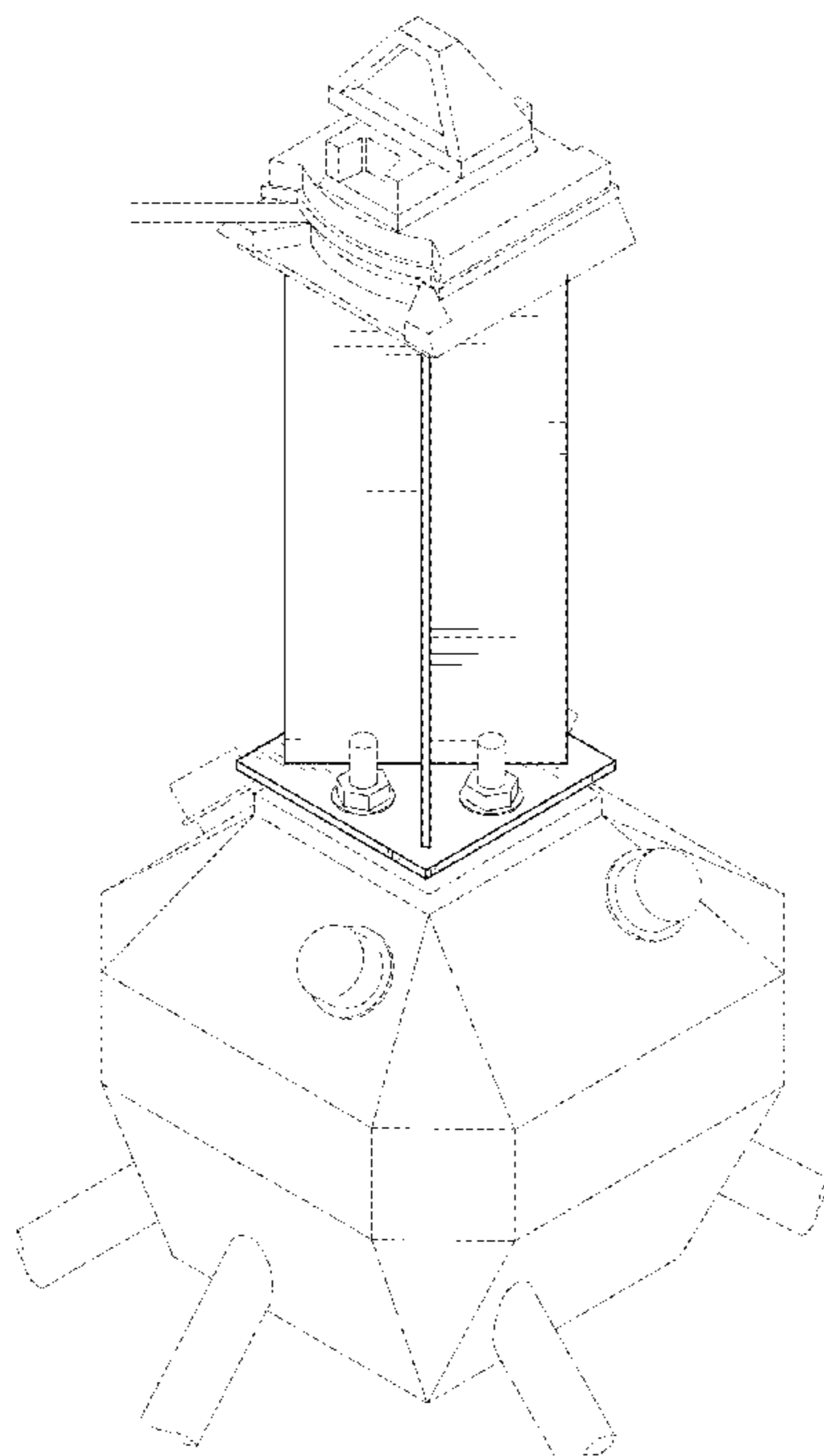
826,996 A \* 7/1906 Cooke ..... E02D 27/02  
52/292

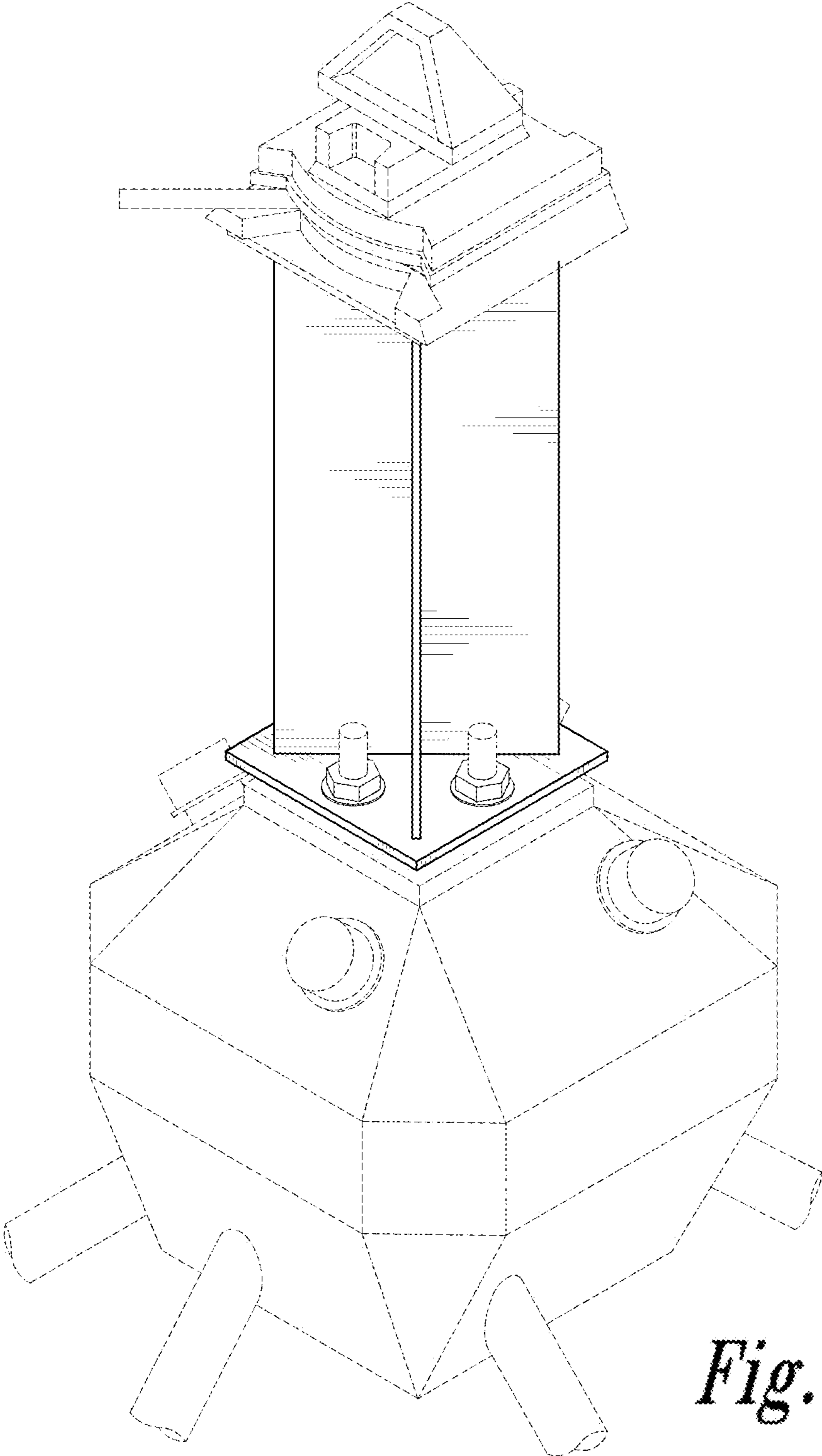
4,738,061 A \* 4/1988 Herndon ..... E02D 27/02  
52/126.6

5,039,256 A 8/1991 Gagliano

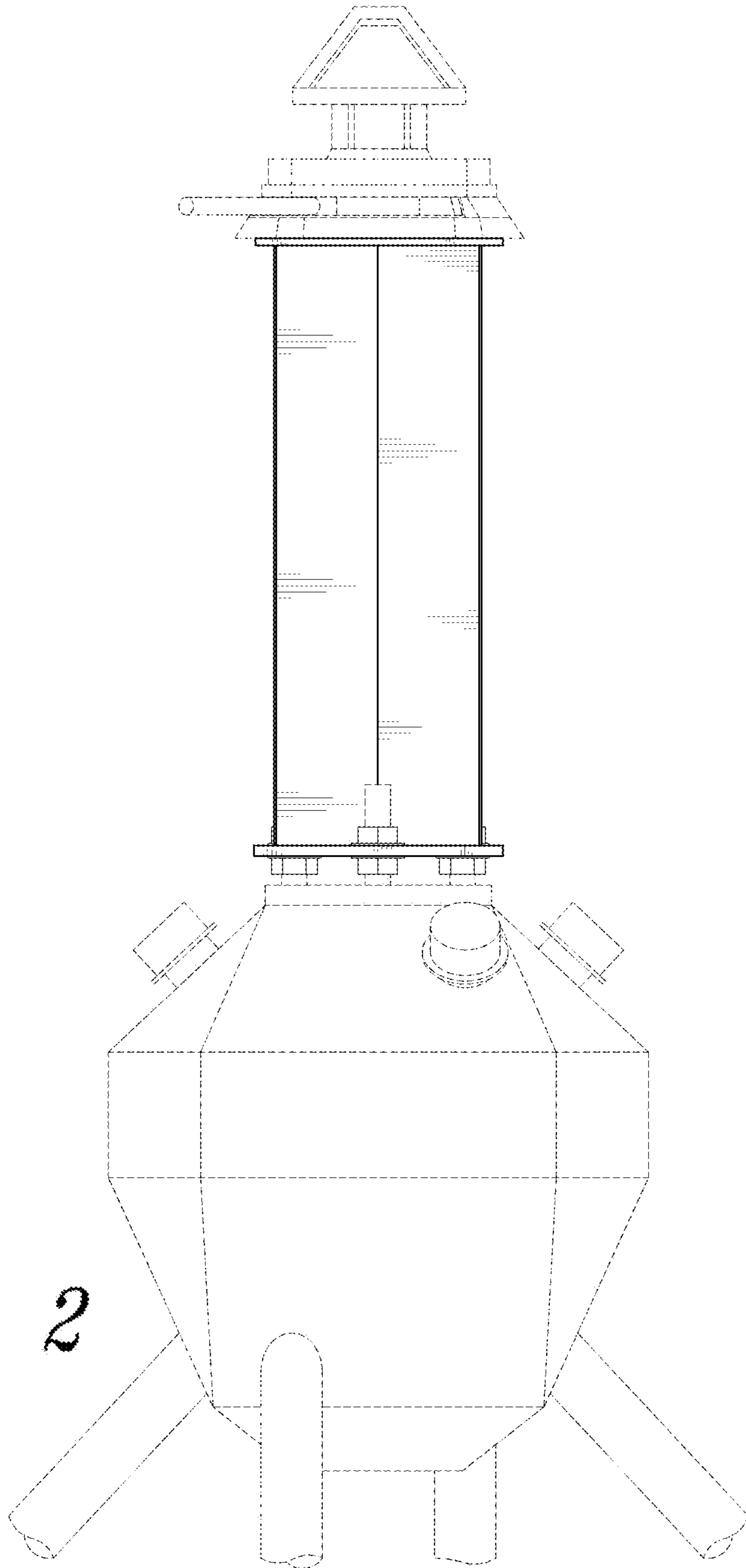
5,067,289 A \* 11/1991 Ouderkirk ..... E02D 27/02  
52/169.11

**1 Claim, 6 Drawing Sheets**

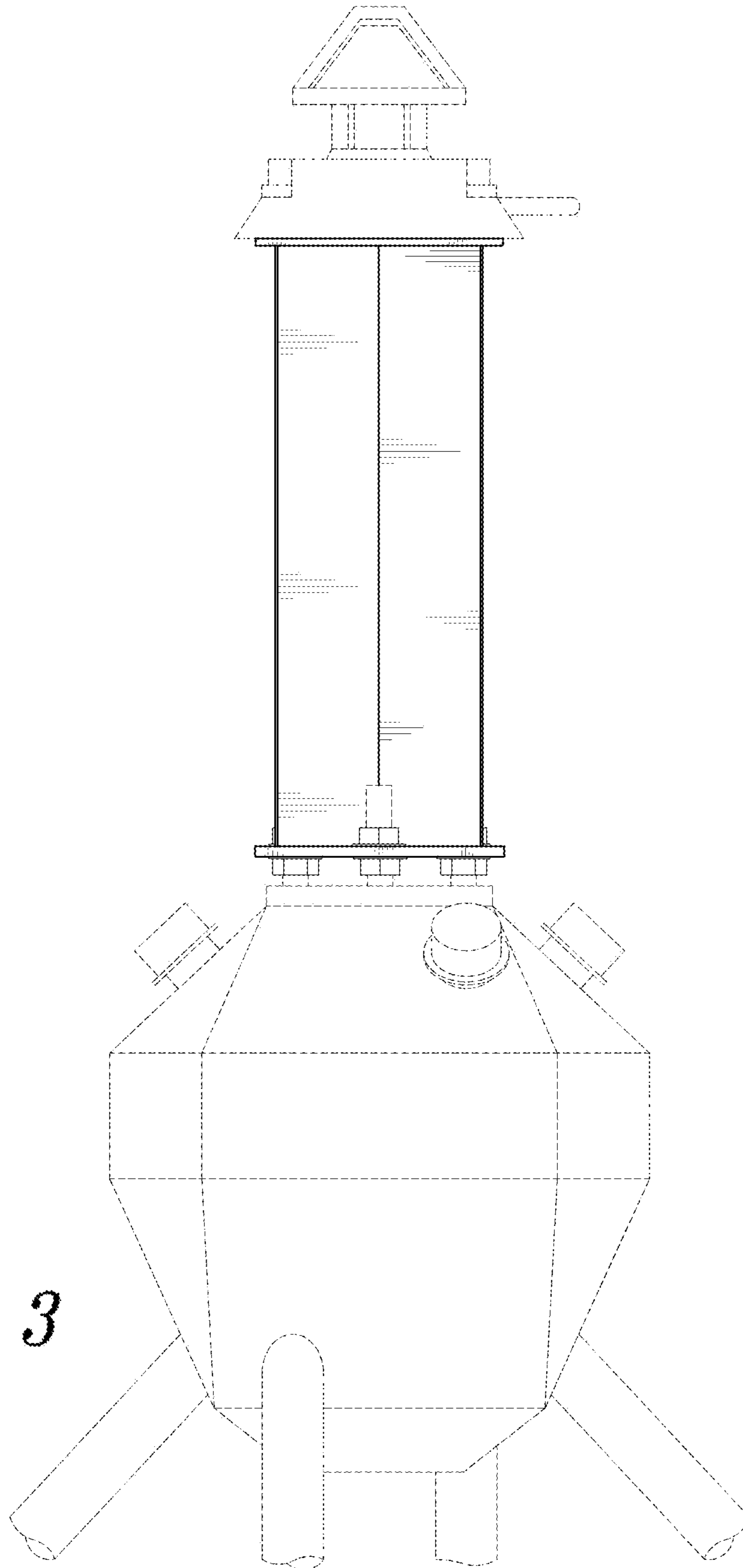


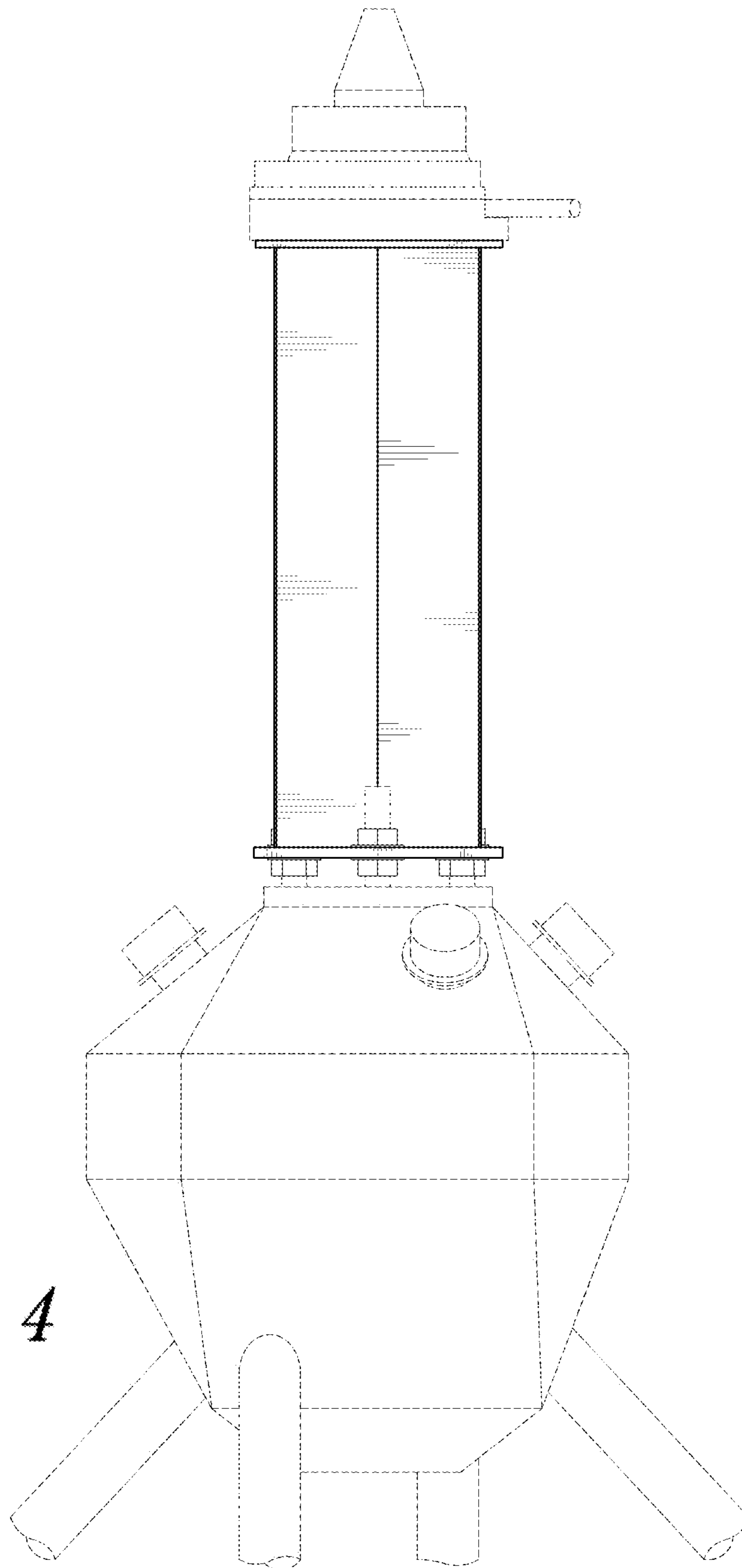


*Fig. 1*

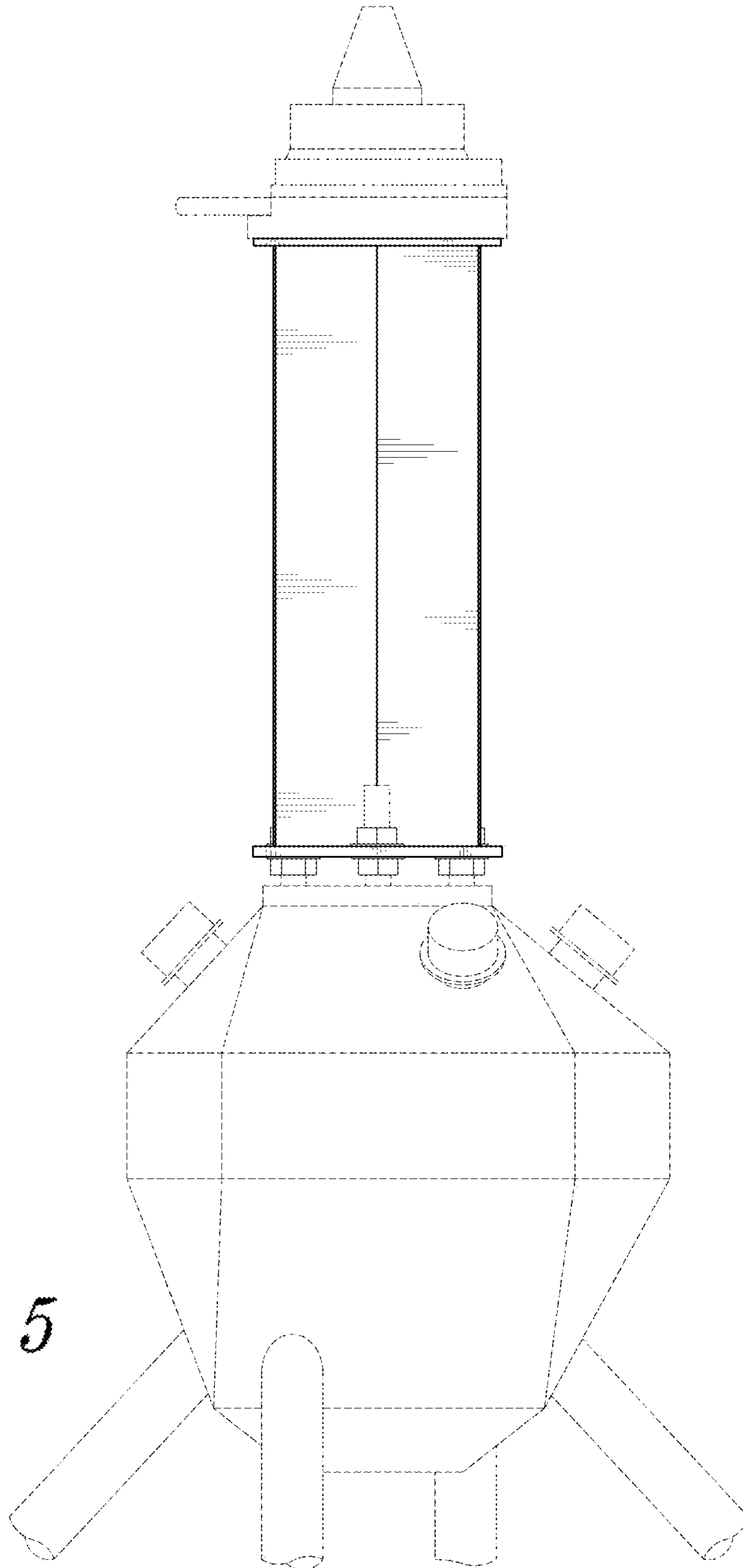


*Fig. 2*

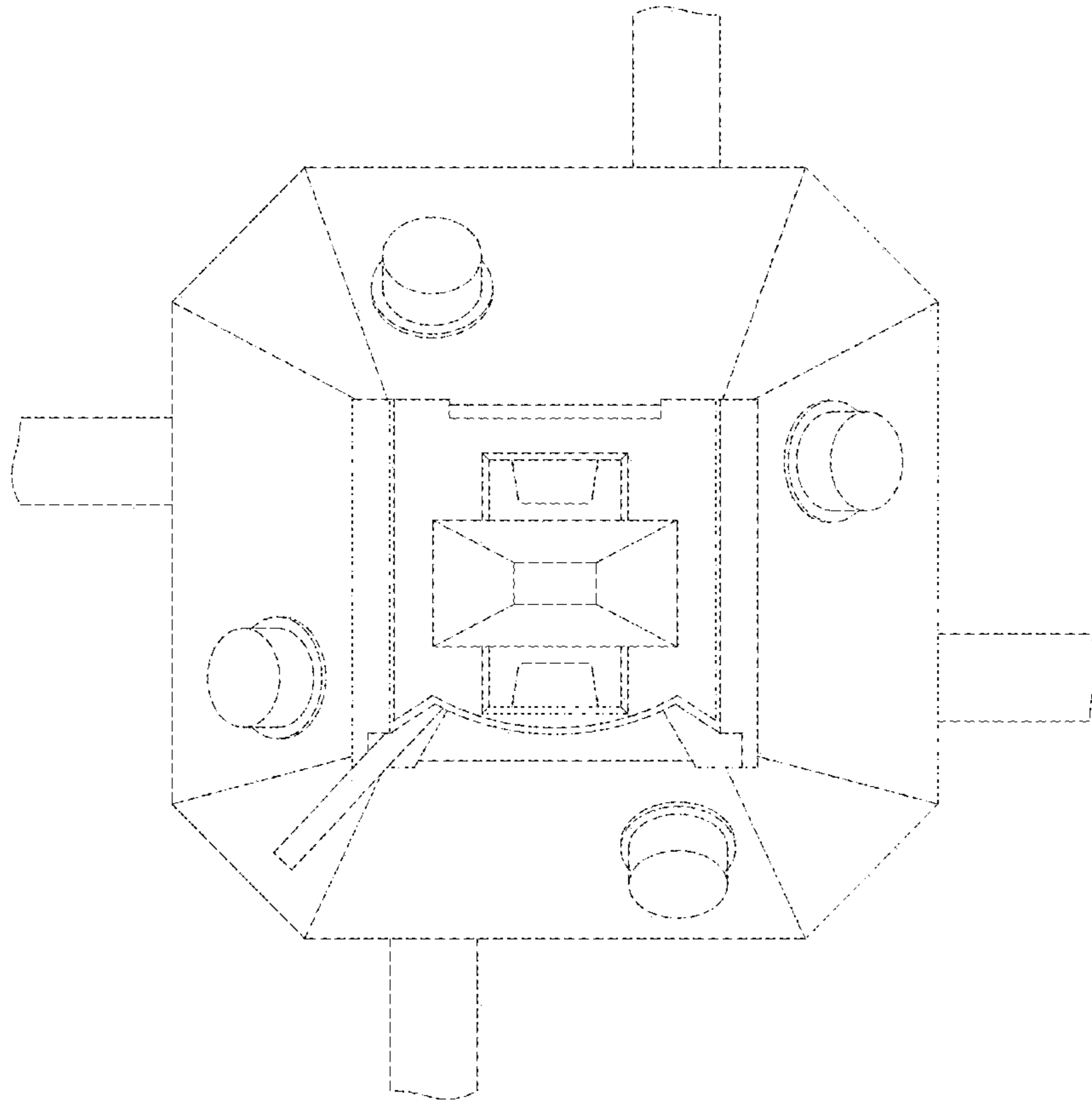




*Fig. 4*



*Fig. 5*



*Fig. 6*