



US00D953849S

(12) **United States Design Patent** (10) **Patent No.:** **US D953,849 S**  
**Liu** (45) **Date of Patent:** **\*\* Jun. 7, 2022**

(54) **ADHESIVE HOOK**  
(71) Applicant: **Yiming Liu, Jiangxi (CN)**  
(72) Inventor: **Yiming Liu, Jiangxi (CN)**  
(\*\*) Term: **15 Years**  
(21) Appl. No.: **29/795,515**  
(22) Filed: **Jun. 18, 2021**  
(51) **LOC (13) Cl.** ..... **08-05**  
(52) **U.S. Cl.**  
USPC ..... **D8/367**  
(58) **Field of Classification Search**  
USPC ..... D8/367, 354, 349, 373; D6/323;  
248/301-304, 339  
CPC ..... A47G 1/00; A47G 25/00  
See application file for complete search history.

D642,897 S \* 8/2011 Berkowitz ..... D8/367  
D659,519 S \* 5/2012 Berkowitz ..... D8/367  
D766,759 S \* 9/2016 Lenz ..... D10/74  
D864,700 S 10/2019 Chen  
D879,596 S \* 3/2020 Li ..... D8/367  
D880,990 S \* 4/2020 Liu ..... D8/367  
D918,698 S \* 5/2021 Man ..... D8/367  
D939,330 S \* 12/2021 Zhou ..... D8/367  
D948,997 S \* 4/2022 Wang ..... D8/367  
2003/0189147 A1\* 10/2003 Immerman ..... A47G 25/0614  
248/302

\* cited by examiner

*Primary Examiner* — Cynthia R Underwood  
(74) *Attorney, Agent, or Firm* — ScienBiziP, P.C.

(57) **CLAIM**

The ornamental design for an adhesive hook, as shown and described.

**DESCRIPTION**

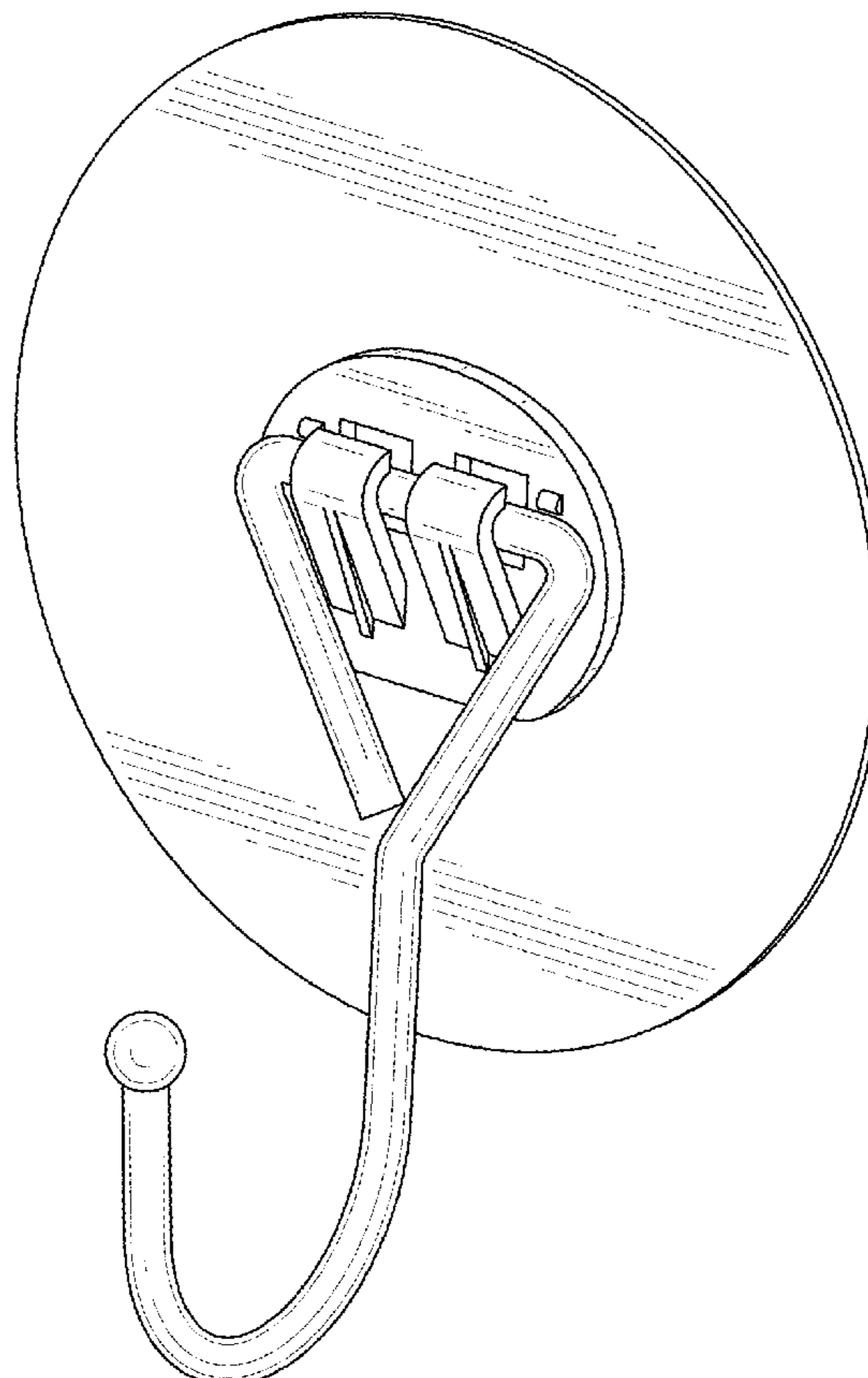
FIG. 1 is a front, right, and top perspective view of an adhesive hook, showing my design.  
FIG. 2 is a front elevation view thereof.  
FIG. 3 is a rear elevation view thereof.  
FIG. 4 is a left side elevation view thereof.  
FIG. 5 is a right side elevation view thereof.  
FIG. 6 is a top plan view thereof; and,  
FIG. 7 is a bottom plan view thereof.

**1 Claim, 7 Drawing Sheets**

(56) **References Cited**

**U.S. PATENT DOCUMENTS**

1,560,029 A \* 11/1925 Erickson ..... F16B 47/003  
248/467  
2,679,998 A \* 6/1954 Keller ..... F16B 47/003  
D8/367  
6,081,975 A \* 7/2000 Norrby ..... F16B 45/00  
294/82.2  
D480,625 S \* 10/2003 Snell ..... D8/367  
D531,487 S 11/2006 Dretzka  
D600,536 S \* 9/2009 Hager ..... D8/367



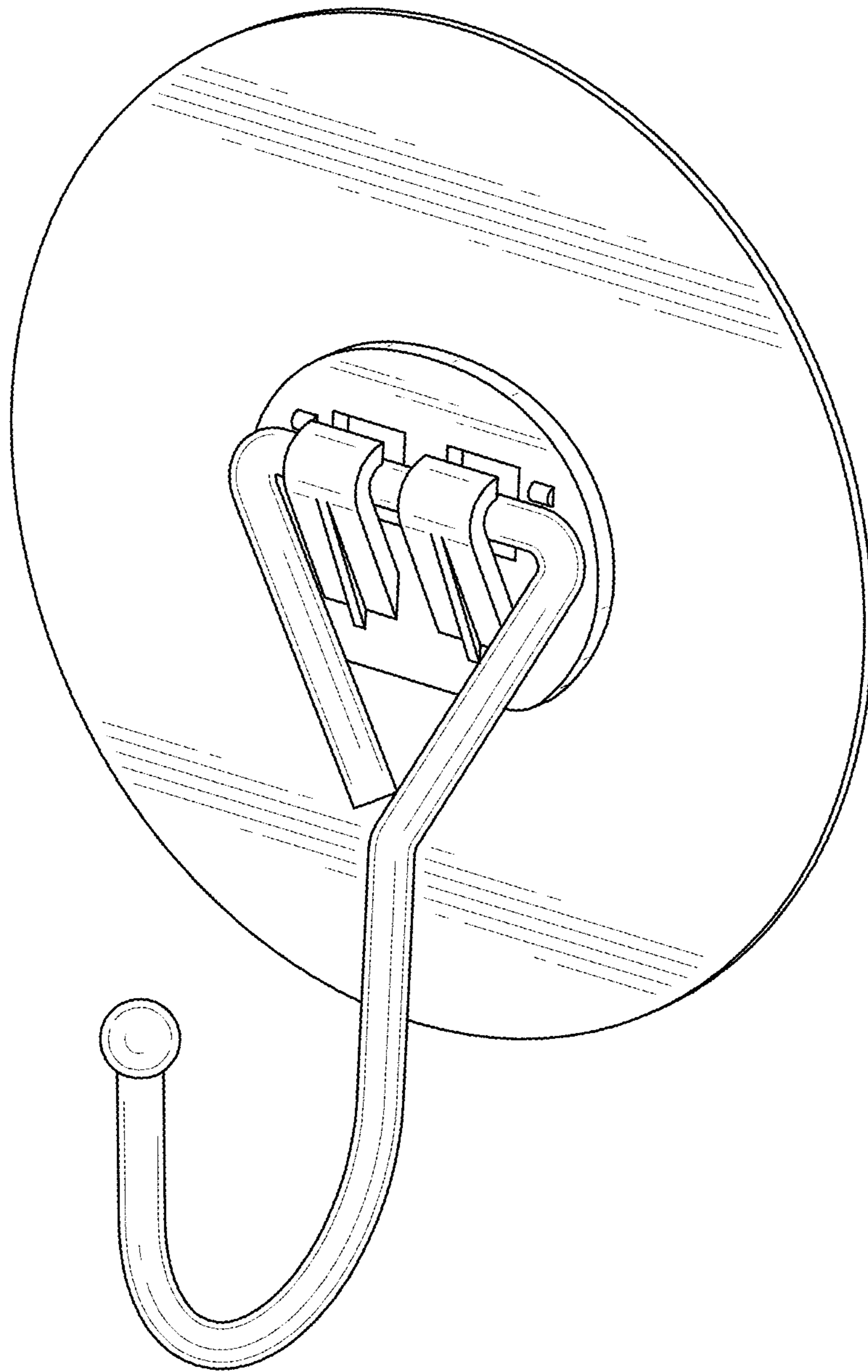


FIG. 1

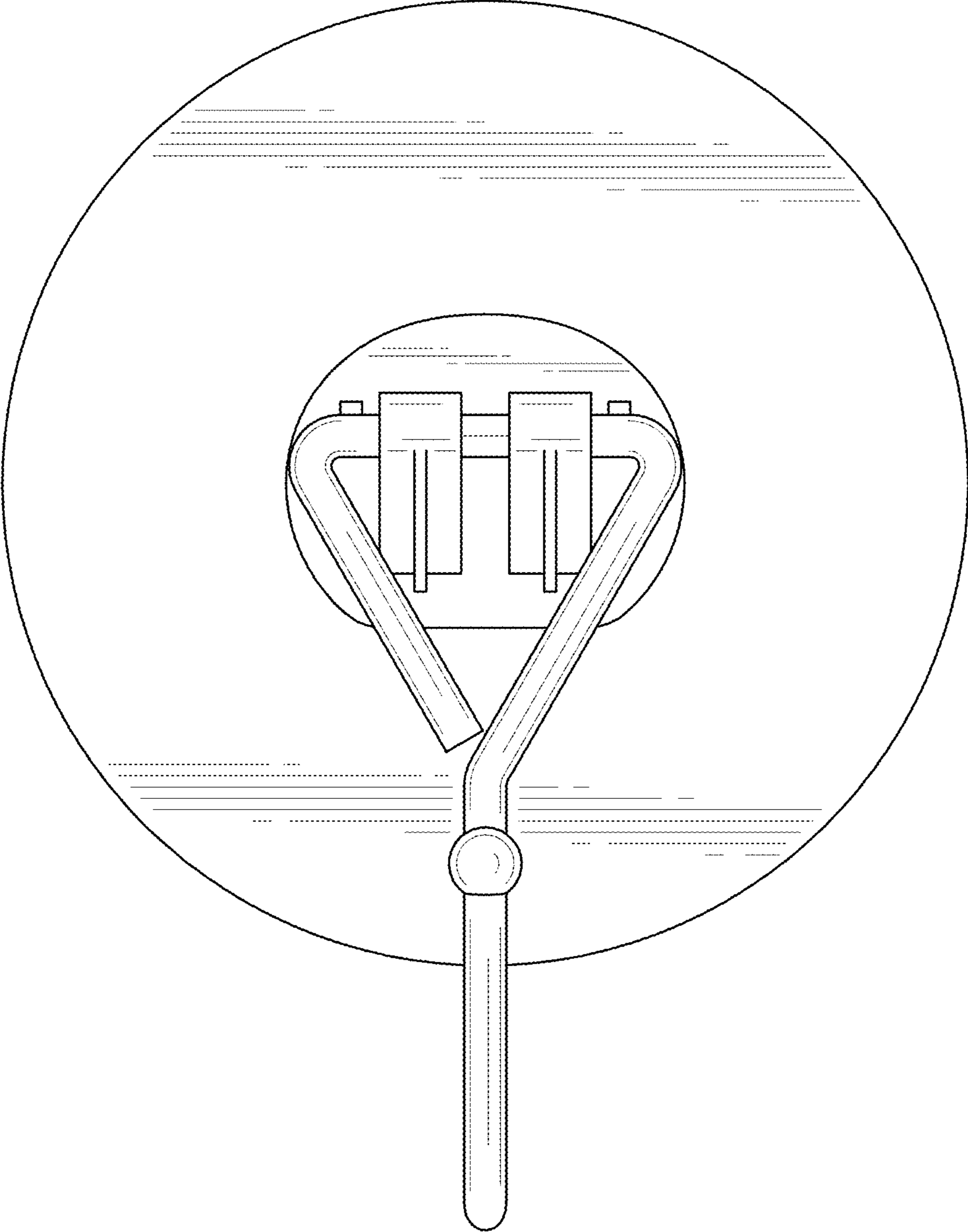


FIG. 2

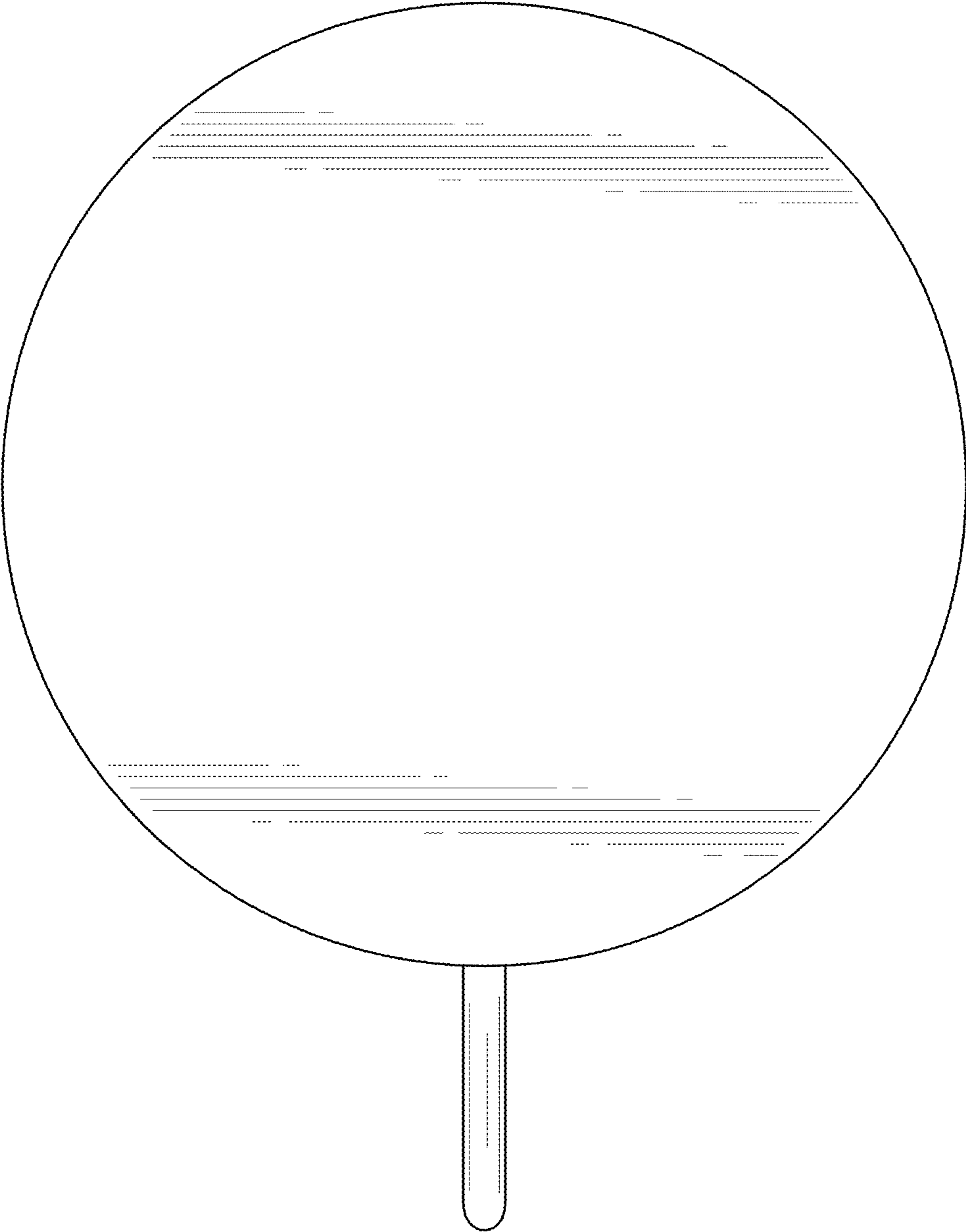


FIG. 3

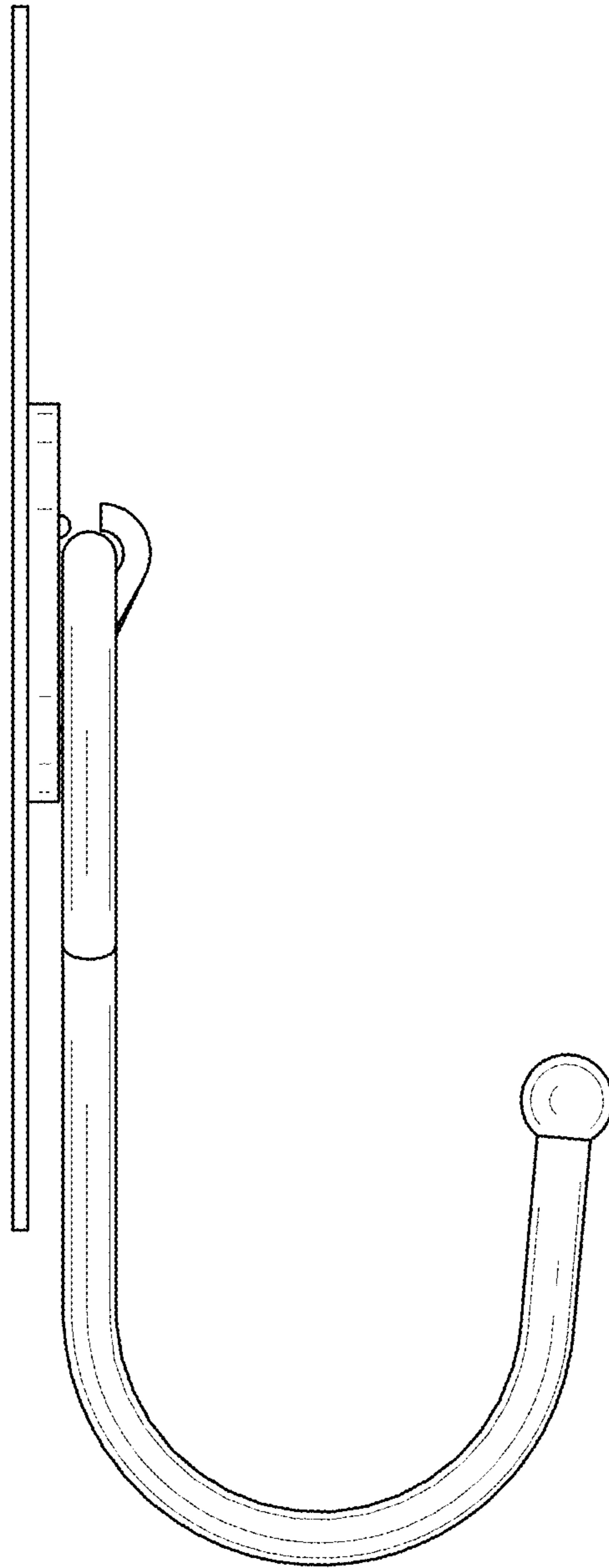


FIG. 4

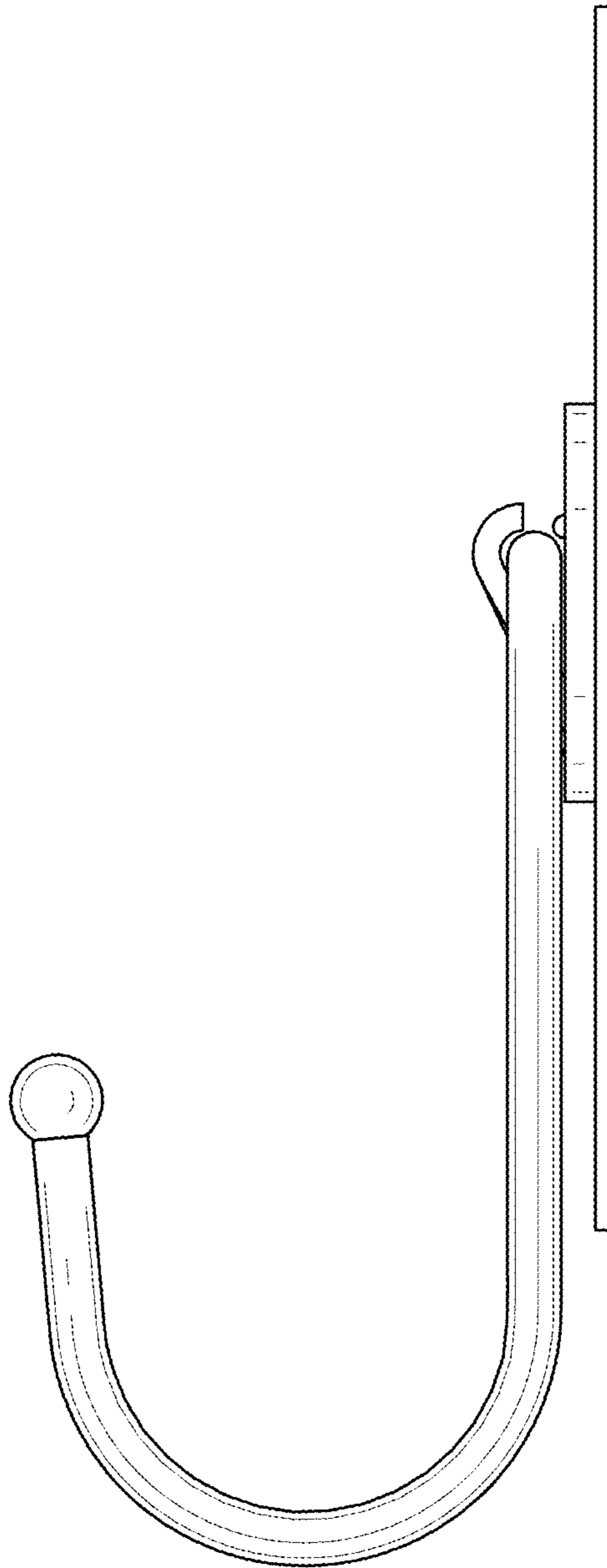


FIG. 5

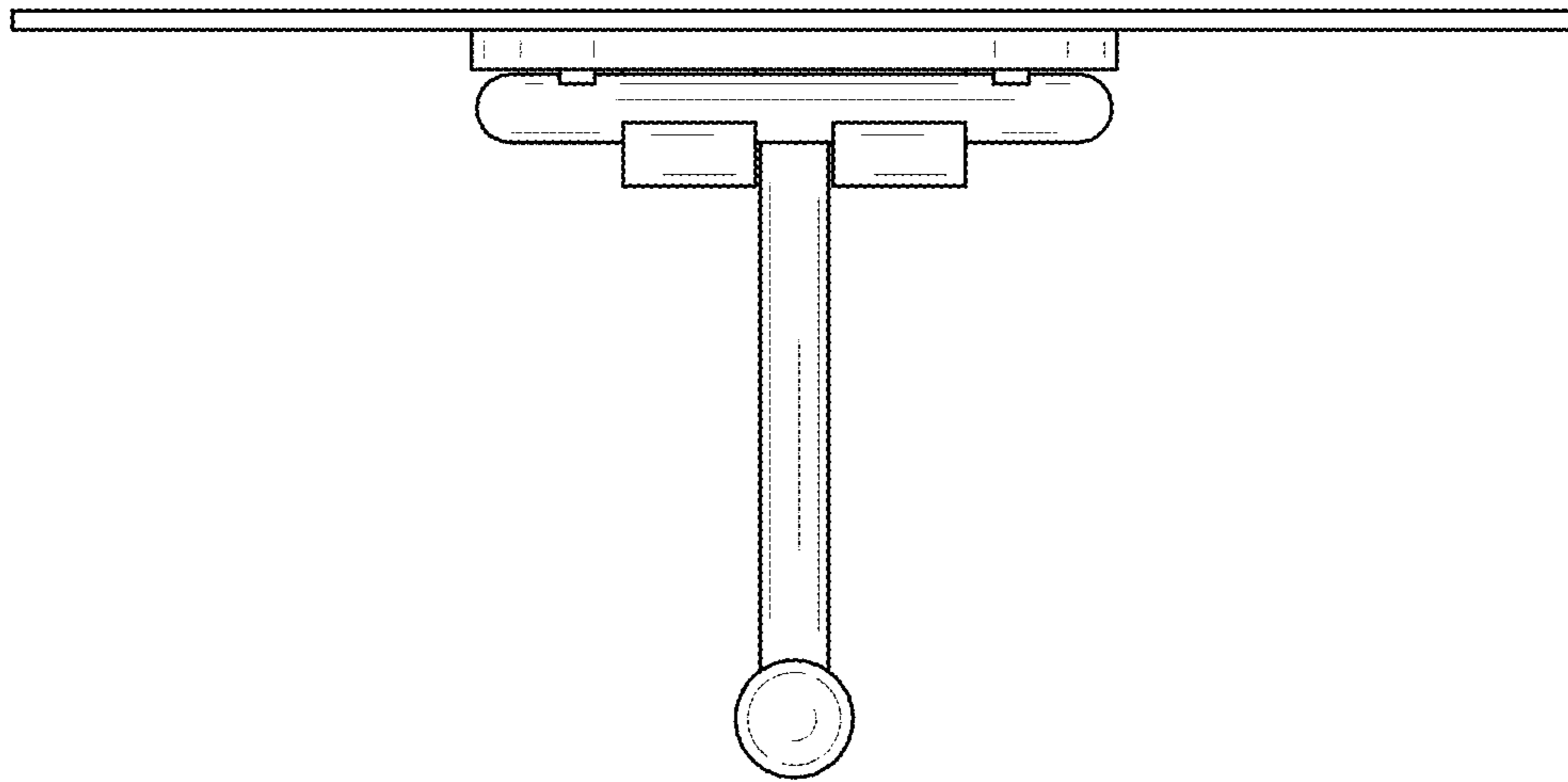


FIG. 6

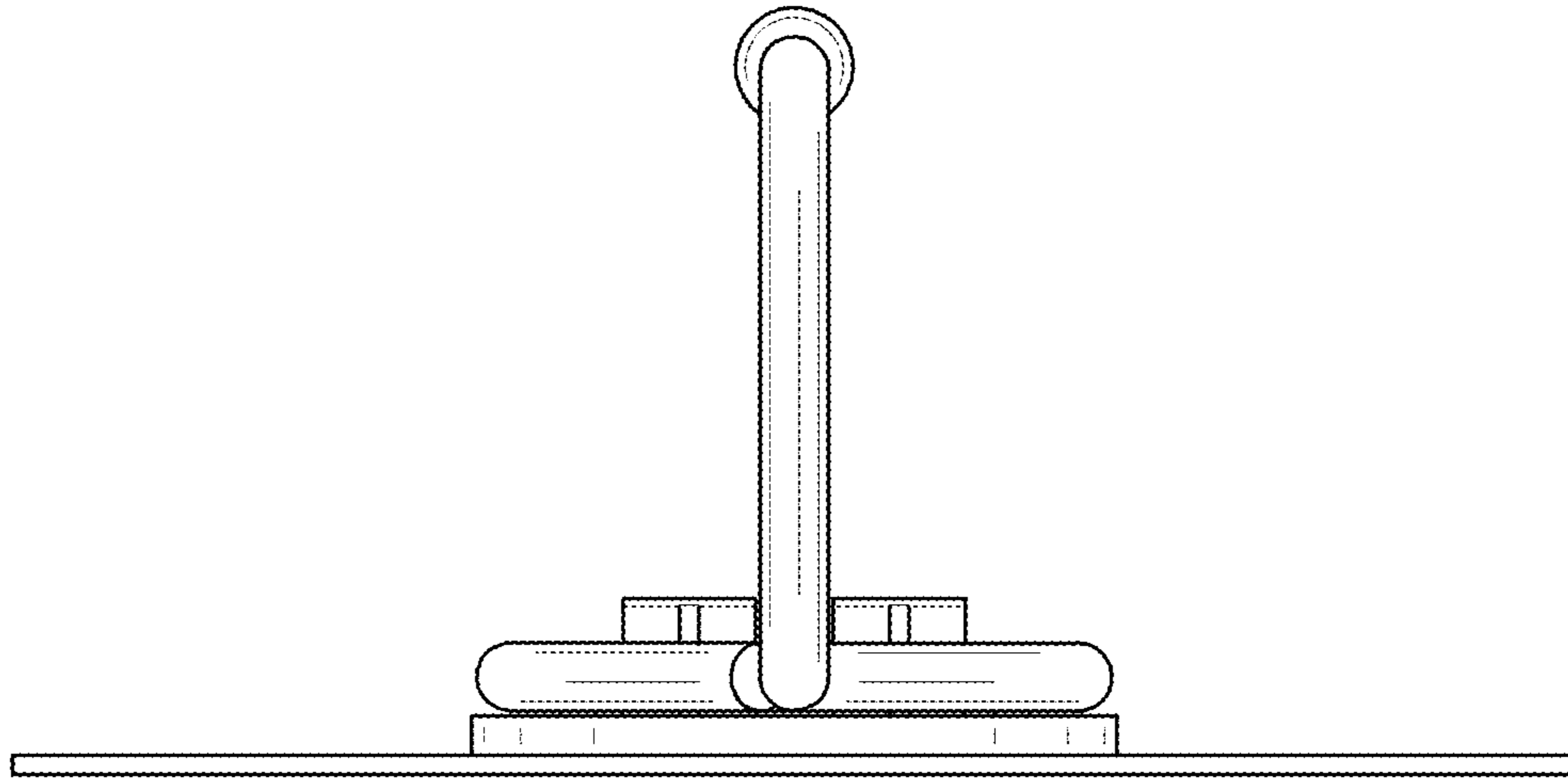


FIG. 7