



US00D953846S

(12) **United States Design Patent**
Lyytikäinen et al.

(10) **Patent No.:** **US D953,846 S**
(45) **Date of Patent:** **** Jun. 7, 2022**

(54) **WATERING HOSE REEL**

- (71) Applicant: **Fiskars Finland Oy Ab**, Helsinki (FI)
- (72) Inventors: **Sami Lyytikäinen**, Helsinki (FI); **Vesa Poutiainen**, Helsinki (FI); **Petteri Masalin**, Helsinki (FI)
- (73) Assignee: **Fiskars Finland Oy Ab**, Helsinki (FI)
- (**) Term: **15 Years**
- (21) Appl. No.: **29/734,679**
- (22) Filed: **May 14, 2020**

Related U.S. Application Data

- (62) Division of application No. 29/626,067, filed on Nov. 14, 2017, now Pat. No. Des. 915,870.

(30) **Foreign Application Priority Data**

May 17, 2017 (EM) 004005502

(51) **LOC (13) Cl.** **08-05**

(52) **U.S. Cl.**
USPC **D8/358**

(58) **Field of Classification Search**

USPC D8/373, 358, 359, 354, 71, 330, 336,
D8/351, 356, 360.1, 363, 364, 367, 370,
(Continued)

(56) **References Cited**

U.S. PATENT DOCUMENTS

3,187,430 A 6/1965 Wallace et al.
3,208,121 A 9/1965 Price
(Continued)

FOREIGN PATENT DOCUMENTS

CN 304545391 * 3/2018

OTHER PUBLICATIONS

Fiskars Waterwheel YouTube https://www.youtube.com/watch?v=4pSWAS_Sp9c Jun. 2, 2019 (Year: 2019).*

Primary Examiner — Leanne Was-Englehart

(74) *Attorney, Agent, or Firm* — Leason Ellis LLP

(57) **CLAIM**

We claim the ornamental design for a watering hose reel, as shown and described.

DESCRIPTION

The patent or application file contains at least one drawing executed in color. Copies of this patent or patent application publication with color drawing(s) will be provided by the Office upon request and payment of the necessary fee.

FIG. 1 is a perspective view of a first embodiment of a watering hose reel;

FIG. 2 is a front view thereof;

FIG. 3 is a back view thereof;

FIG. 4 is a right side view thereof;

FIG. 5 is a left side view thereof;

FIG. 6 is a top view thereof;

FIG. 7 is a bottom view thereof;

FIG. 8 is a perspective view of a second embodiment of a watering hose reel;

FIG. 9 is a front view thereof;

FIG. 10 is a back view thereof;

FIG. 11 is a right side view thereof;

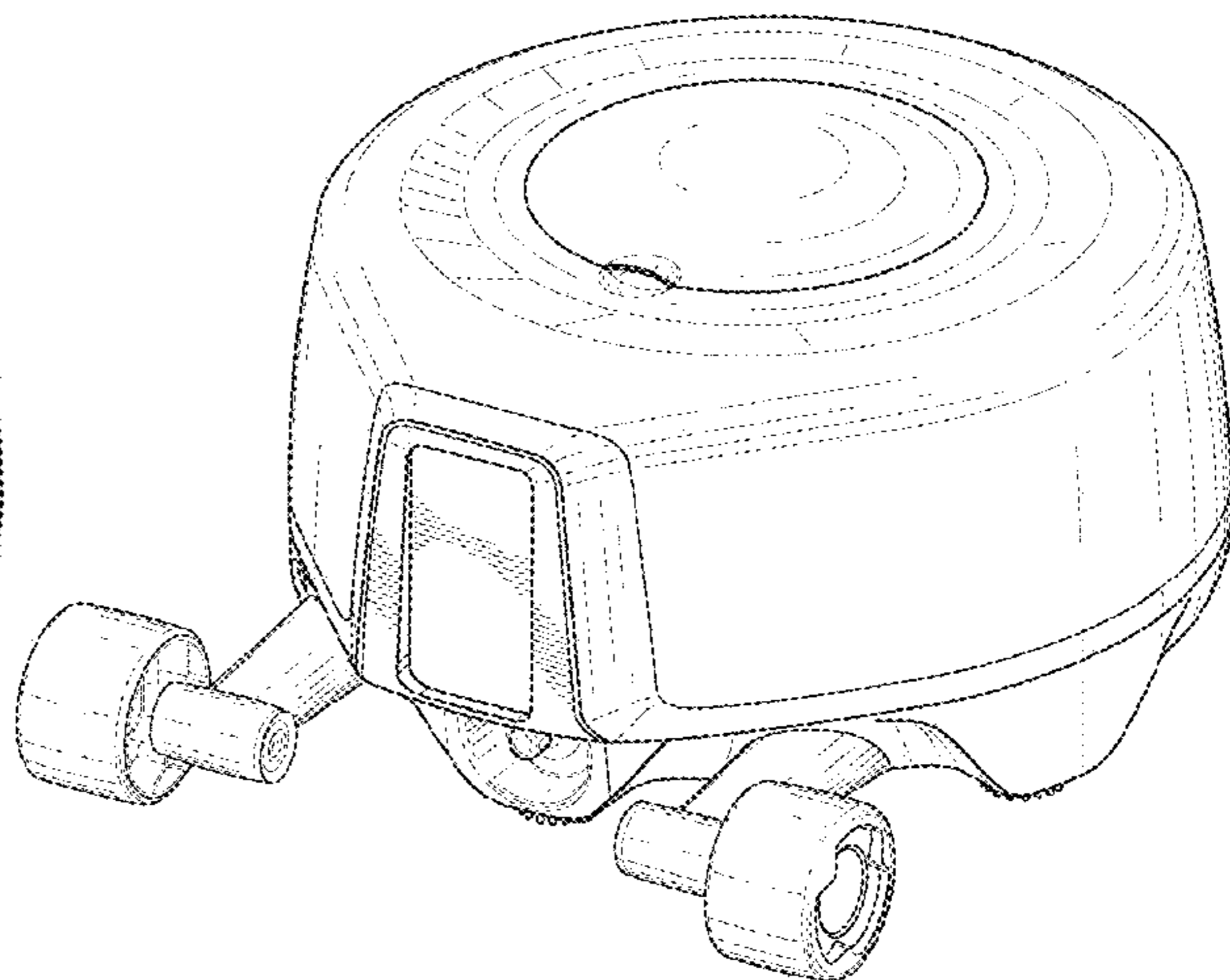
FIG. 12 is a left side view thereof;

FIG. 13 is a top view thereof; and,

FIG. 14 is a bottom view thereof.

The area within the broken lines depict portions of the watering hose reel that form no part of the claimed design.

1 Claim, 14 Drawing Sheets
(7 of 14 Drawing Sheet(s) Filed in Color)



(58) **Field of Classification Search**

USPC D8/372, 379, 381, 382, 395, 396;
 D6/349, 352; D9/426, 502, 750;
 D10/72, 73, 89; D11/79, 93; D13/103,
 D13/107; D19/67; D21/673, 674, 675,
 D21/839, 840; D25/19, 62, 68, 69;
 D26/40, 49; D29/122, 124; D30/153,
 D30/155; D12/162; D34/24, 26; D3/10
 CPC B65H 75/40; B65H 75/4407;
 B65H 75/4471; B65H 2701/34; B65H
 2701/32; B65H 2511/142; B65H 29/008;
 B65H 2701/33; B65H 54/585; B65H
 51/22; B65H 75/08; B65H 75/02; B65H
 2301/41485; B65H 75/4468; B65H
 2301/414323; B65H 2301/414325; B65H
 16/02; B65H 2301/4131; B65H 75/403;
 B65H 75/441; B65H 75/364; B65H
 75/4402; B65H 75/486; B65D 85/66;
 B65D 85/67; B66D 3/006; B66D 3/18;
 B66D 3/26; B66D 3/02; B66D 3/14;
 B63B 21/18; B63B 21/26; B65B 57/005;
 A61G 7/1051; A61G 7/1061; B66B
 11/08; A62C 33/04; B08B 2203/0276;
 B21C 47/28; H02G 11/02; A01K 89/003;
 H04M 1/15; A01D 34/822; A47L 9/26;
 H04R 1/1033; Y10S 24/909; E05C 19/10;
 E05C 17/50; E05C 3/045; E05C 3/30;
 E05C 19/02; E05C 19/026; A47G
 25/0614; A47G 25/18; A47G 25/32;
 A47G 7/047; A47G 7/045; A47G 7/042;
 A47G 7/044; F16B 12/44; F16B 12/46;
 F16B 5/0614; F16B 12/02; E04B 1/2612;
 E04B 2001/2415; E04B 1/5818; E04B
 1/5831; A47B 88/0055; E04F 11/1812;
 F16L 1/0246; A01G 9/024; A01G 25/14;
 A01G 27/001; A01G 9/042; A01G
 27/005; A01G 31/001; A01G 9/02; A01G
 9/083; A01G 9/12; B60D 1/185; B60P
 7/083; B60P 7/0853; B60P 7/0823; Y10T
 24/2175; Y10T 24/2164

See application file for complete search history.

(56) **References Cited**

U.S. PATENT DOCUMENTS

D206,483 S 12/1966 Sharp
 D257,576 S 12/1980 Bobrovniczky
 D271,078 S 10/1983 Houghton
 4,429,839 A * 2/1984 Jessamine B65H 75/4471
 242/402
 D344,220 S 2/1994 Wensley et al.
 5,308,011 A 5/1994 Roman
 D354,205 S 1/1995 Wensley et al.
 D360,530 S * 7/1995 Bobeczko D3/315
 D374,166 S 10/1996 Czerwinski et al.
 D393,401 S 4/1998 Clivio
 5,782,412 A 7/1998 Plantz et al.
 D404,286 S * 1/1999 Plantz D8/359
 5,992,787 A * 11/1999 Burke H02G 11/02
 206/409
 D417,538 S 12/1999 Tisbo et al.
 D418,270 S 12/1999 Tisbo et al.
 6,199,784 B1 * 3/2001 Wang B65H 75/4431
 242/378
 6,234,418 B1 5/2001 Donaldson
 D445,045 S * 7/2001 Olson D10/72

D448,651 S 10/2001 Kovacik et al.
 6,439,360 B1 8/2002 Miller
 6,493,943 B1 12/2002 Linden
 D475,277 S 6/2003 Wu
 D479,979 S 9/2003 Kovacik et al.
 D483,235 S 12/2003 Deville
 D485,744 S 1/2004 Khubani
 D491,444 S * 6/2004 Nicholls D8/358
 6,789,324 B2 9/2004 Linden et al.
 D504,606 S * 5/2005 Kovacik D8/358
 D506,124 S 6/2005 Strickland
 D511,294 S 11/2005 Kovacik et al.
 7,021,583 B2 4/2006 Weatherill
 D547,021 S 7/2007 Stein
 D563,773 S 3/2008 Pitcher et al.
 D575,842 S 8/2008 Jianwei
 D576,248 S 9/2008 Jianwei
 D584,937 S 1/2009 Kovacik et al.
 D589,329 S * 3/2009 Plunk D8/358
 D595,121 S 6/2009 Murphy
 7,654,484 B2 * 2/2010 Mogensen A61M 39/08
 242/402
 D622,112 S 8/2010 Goetz et al.
 D624,020 S 9/2010 Kovacik
 D637,067 S * 5/2011 Bauck D8/358
 D646,039 S 9/2011 Franchini
 D652,191 S 1/2012 Arcati
 D652,192 S 1/2012 Blaszcak et al.
 D652,193 S 1/2012 Blaszcak et al.
 D654,648 S 2/2012 Blaszcak et al.
 8,136,252 B2 3/2012 Linden et al.
 D666,080 S 8/2012 Boehler
 D671,809 S 8/2012 Boehler
 8,317,121 B2 11/2012 Tracey
 D679,559 S 4/2013 Masalin et al.
 D704,036 S * 5/2014 Fortier D8/358
 8,757,574 B2 * 6/2014 Bauck B65H 75/4431
 248/330.1
 D715,114 S 10/2014 Lyytikainen et al.
 D715,607 S 10/2014 Lyytikainen et al.
 D717,133 S 11/2014 Lyytikainen et al.
 D717,134 S 11/2014 Lyytikainen et al.
 D720,212 S 12/2014 Gonzalez et al.
 D722,479 S 2/2015 Lyytikainen et al.
 D737,669 S 9/2015 Anderson et al.
 D741,153 S * 10/2015 Anderson D8/358
 D742,204 S * 11/2015 Fortier D8/358
 D742,205 S * 11/2015 Fortier D8/358
 D754,526 S 4/2016 Sha et al.
 D767,374 S * 9/2016 Vanttila D8/356
 D787,921 S * 5/2017 Vanttilä D8/359
 D792,756 S * 7/2017 Vanttila D8/356
 D807,730 S * 1/2018 Wu D8/356
 D818,351 S * 5/2018 Jenkins, Sr. D8/358
 D828,672 S * 9/2018 Lyytikainen D34/24
 D830,155 S * 10/2018 Kopp D8/358
 D832,086 S 10/2018 Son
 10,188,846 B1 * 1/2019 Priszner B65H 75/4449
 D842,078 S * 3/2019 Martino D8/356
 D850,738 S * 6/2019 Fan D32/14
 D863,940 S * 10/2019 Ge D8/358
 D863,941 S * 10/2019 Ge D8/358
 D868,566 S * 12/2019 Ellard D8/356
 10,737,903 B2 * 8/2020 Poutiainen B65H 75/4407
 10,858,217 B2 * 12/2020 Poutiainen B65H 75/40
 D915,870 S * 4/2021 Lyytikainen D8/358
 2003/0038209 A1 2/2003 Remeczky
 2004/0188558 A1 9/2004 Moon et al.
 2011/0309182 A1 12/2011 Franchini
 2014/0261766 A1 9/2014 Tracey
 2018/0334353 A1 * 11/2018 Poutiainen B65H 75/4463
 2018/0334355 A1 * 11/2018 Poutiainen B65H 75/486
 2018/0352663 A1 12/2018 Hall
 2020/0156901 A1 * 5/2020 Gustafsson B65H 75/4478

* cited by examiner



FIG. 1



FIG. 2

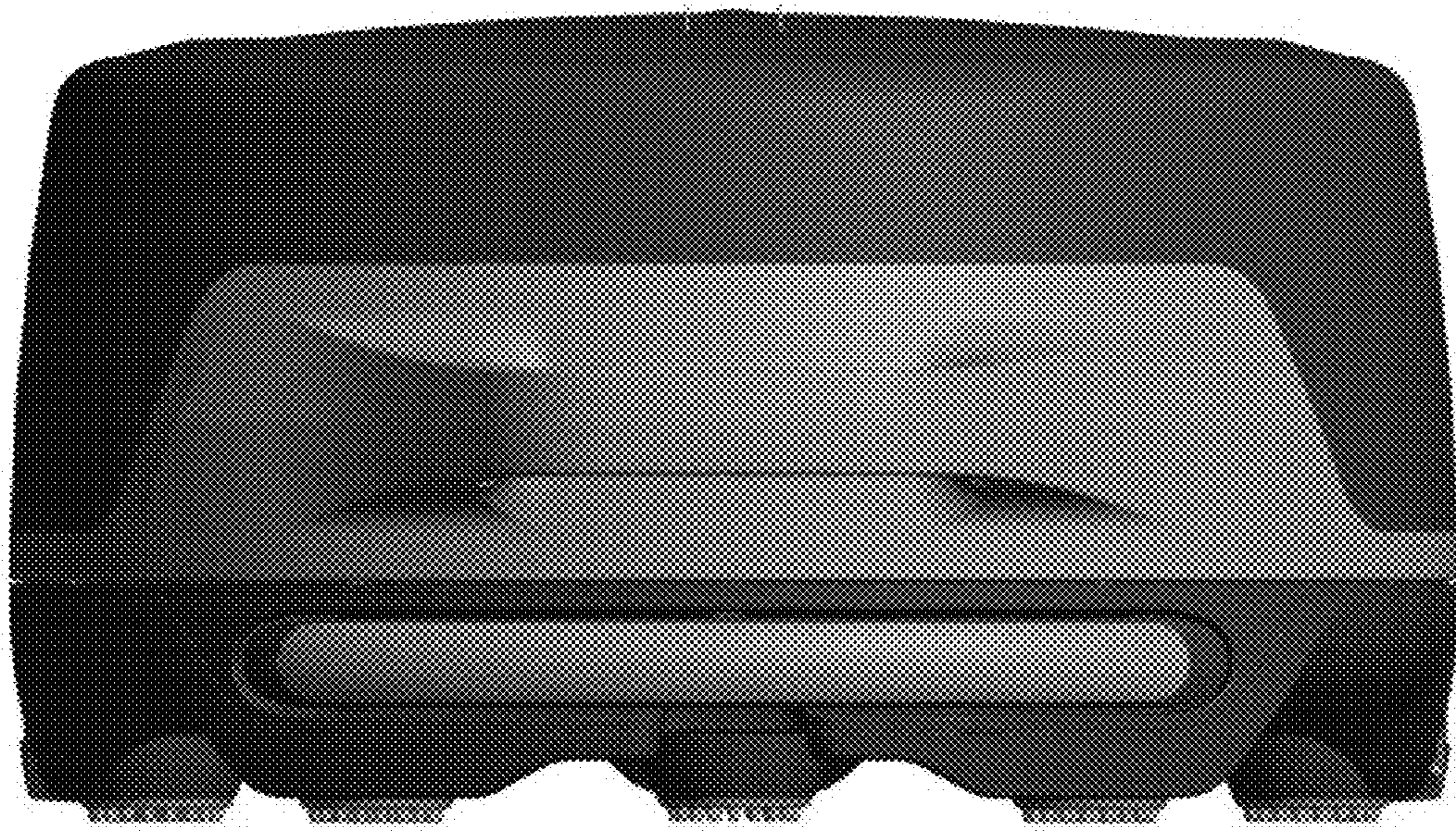


FIG. 3

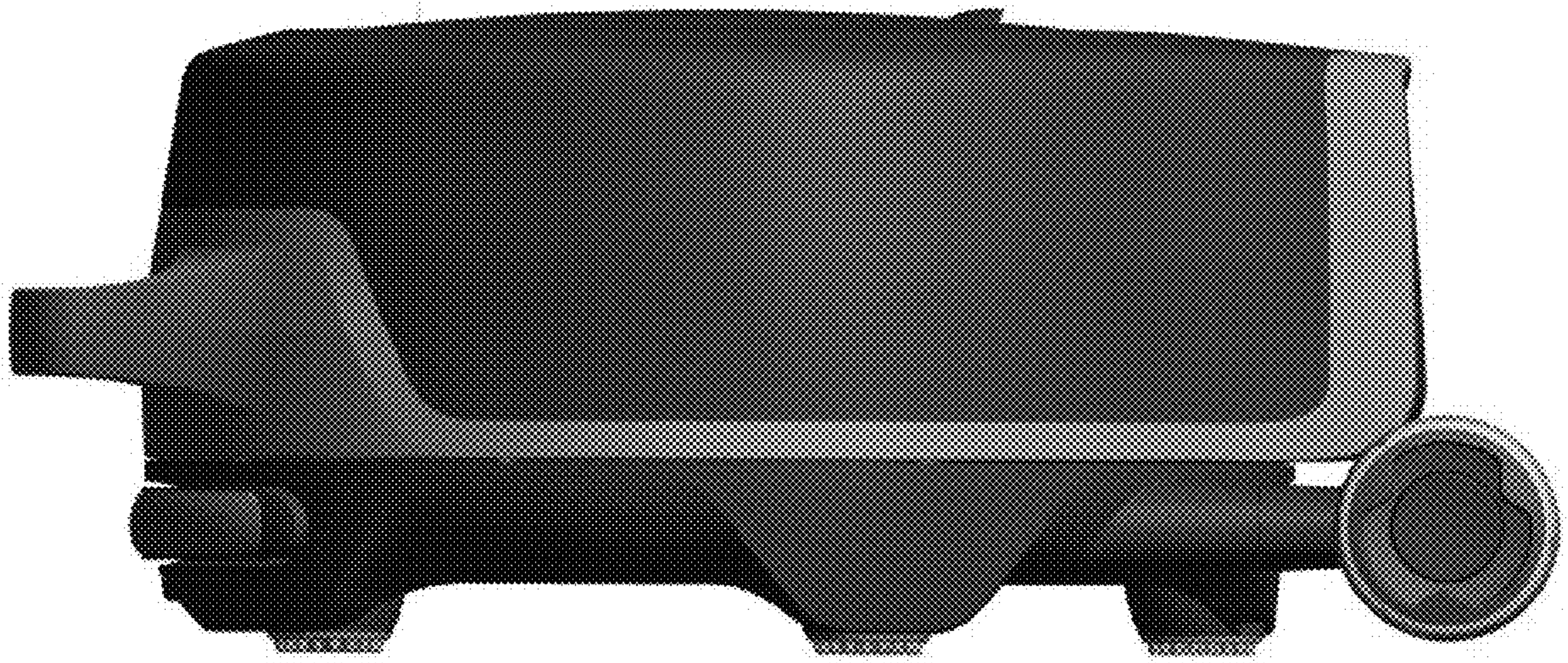


FIG. 4

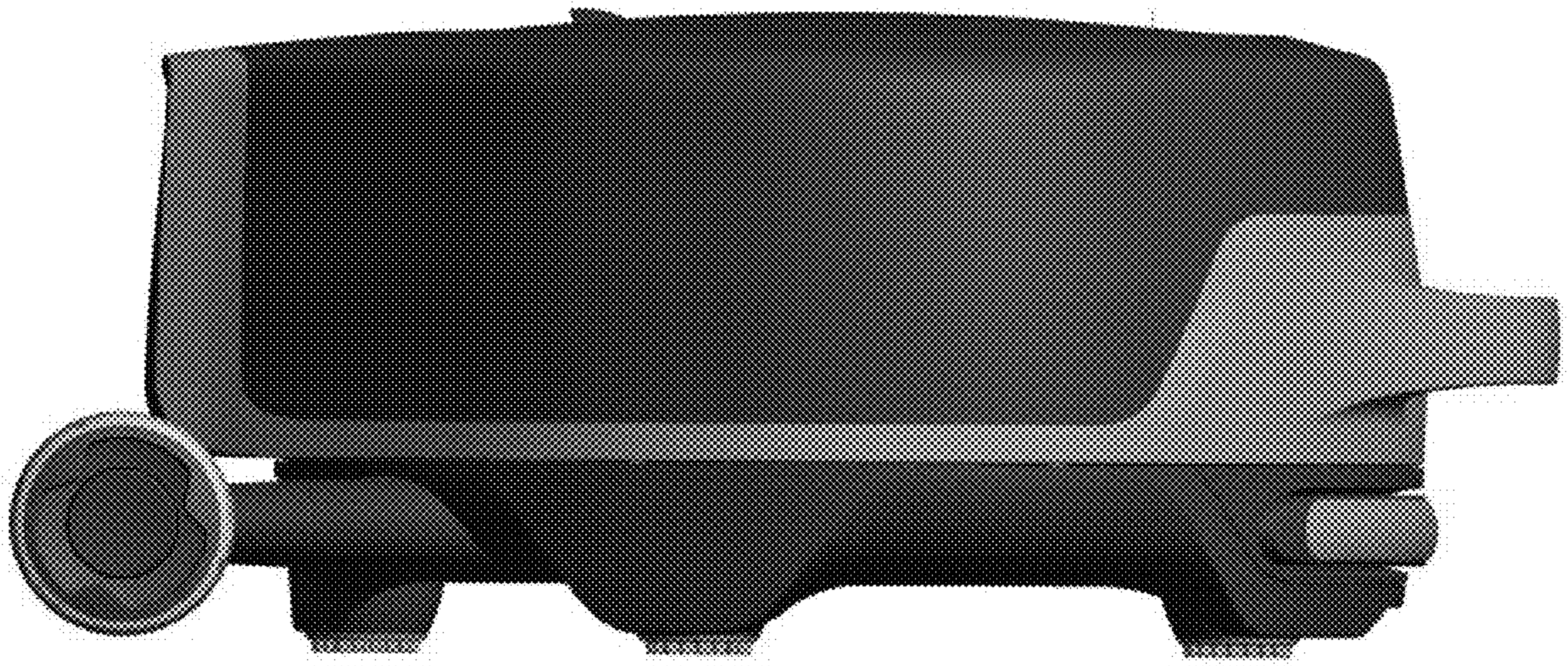


FIG. 5



FIG. 6

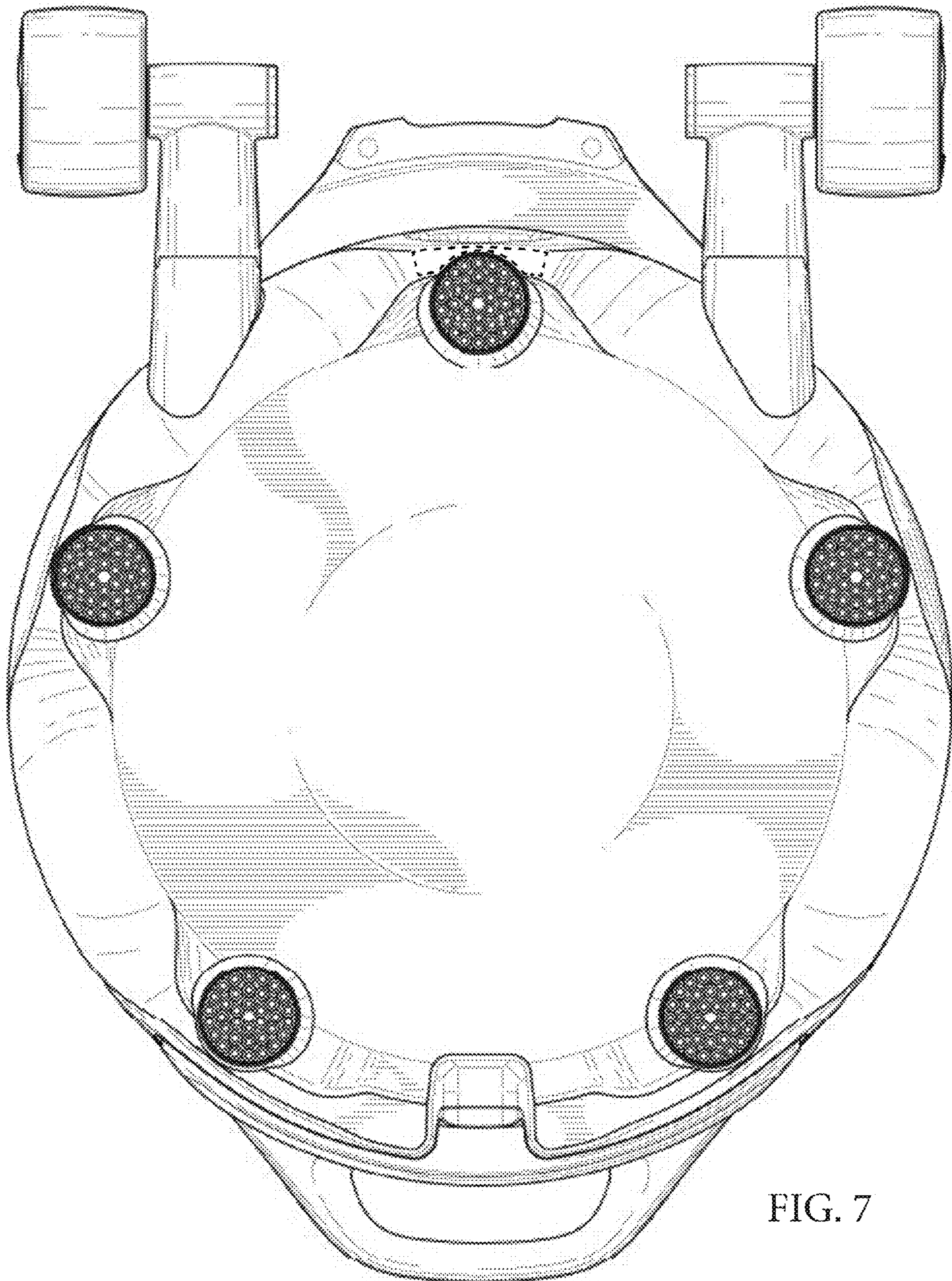


FIG. 7

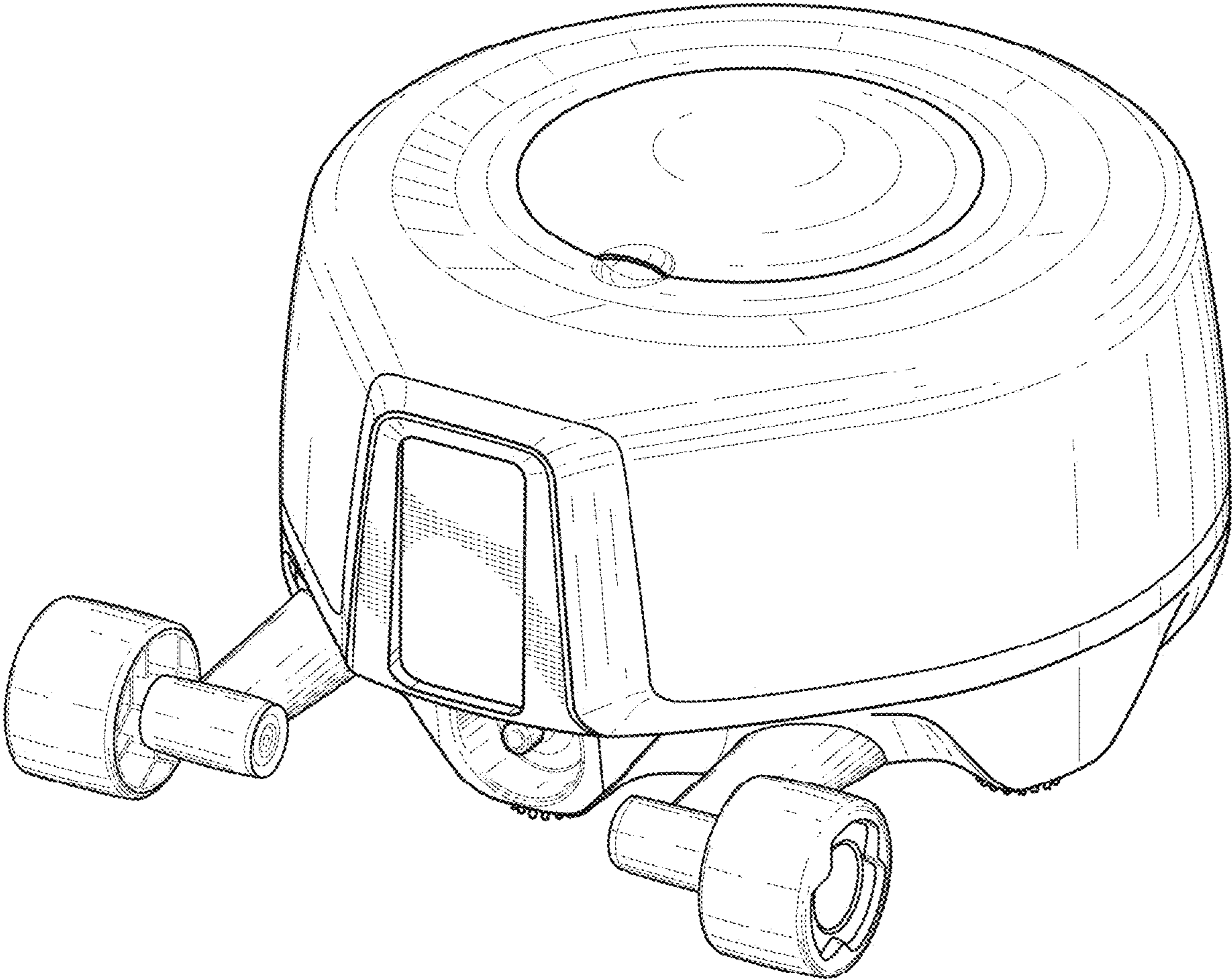


FIG. 8

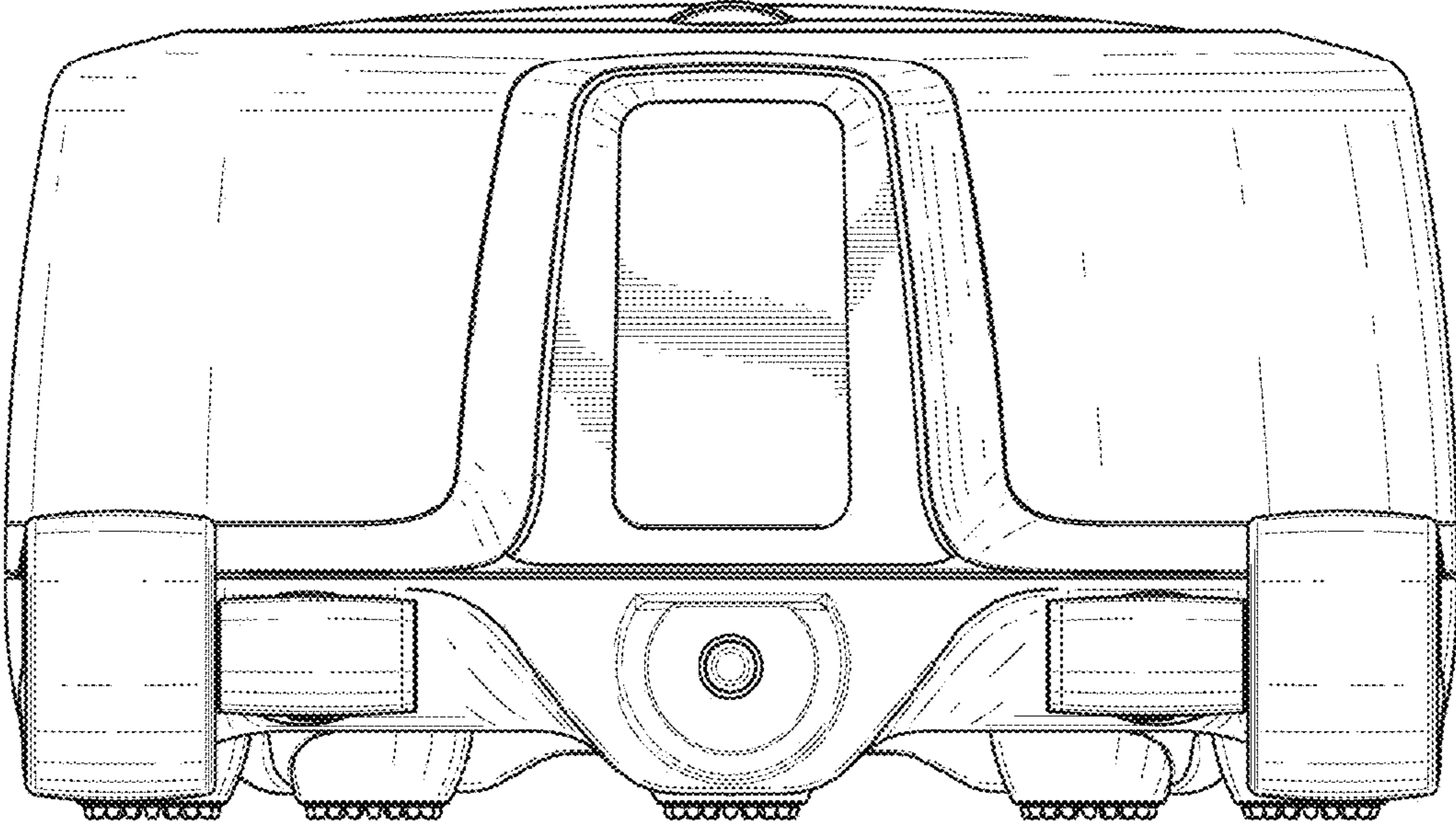


FIG. 9

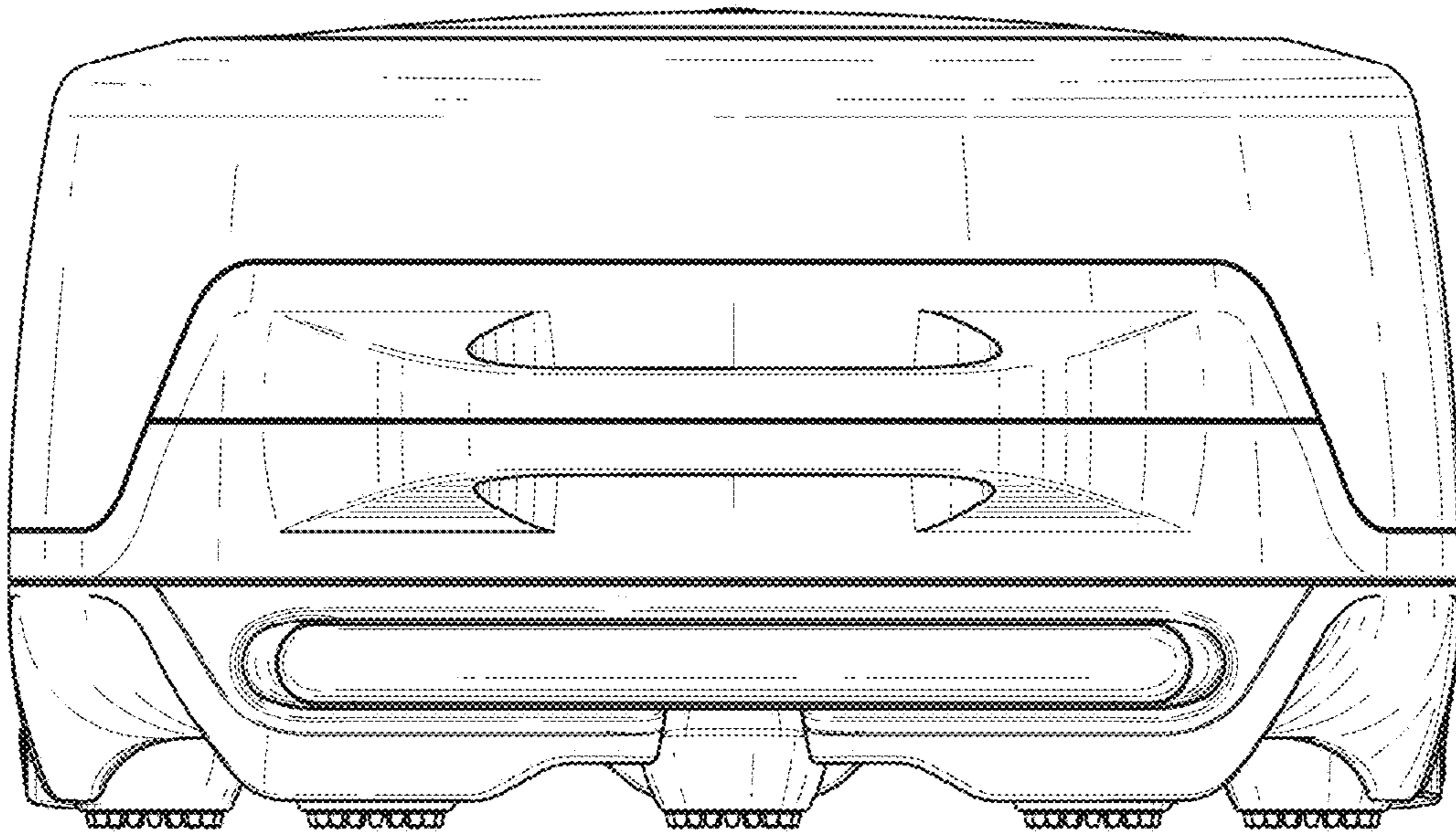


FIG. 10

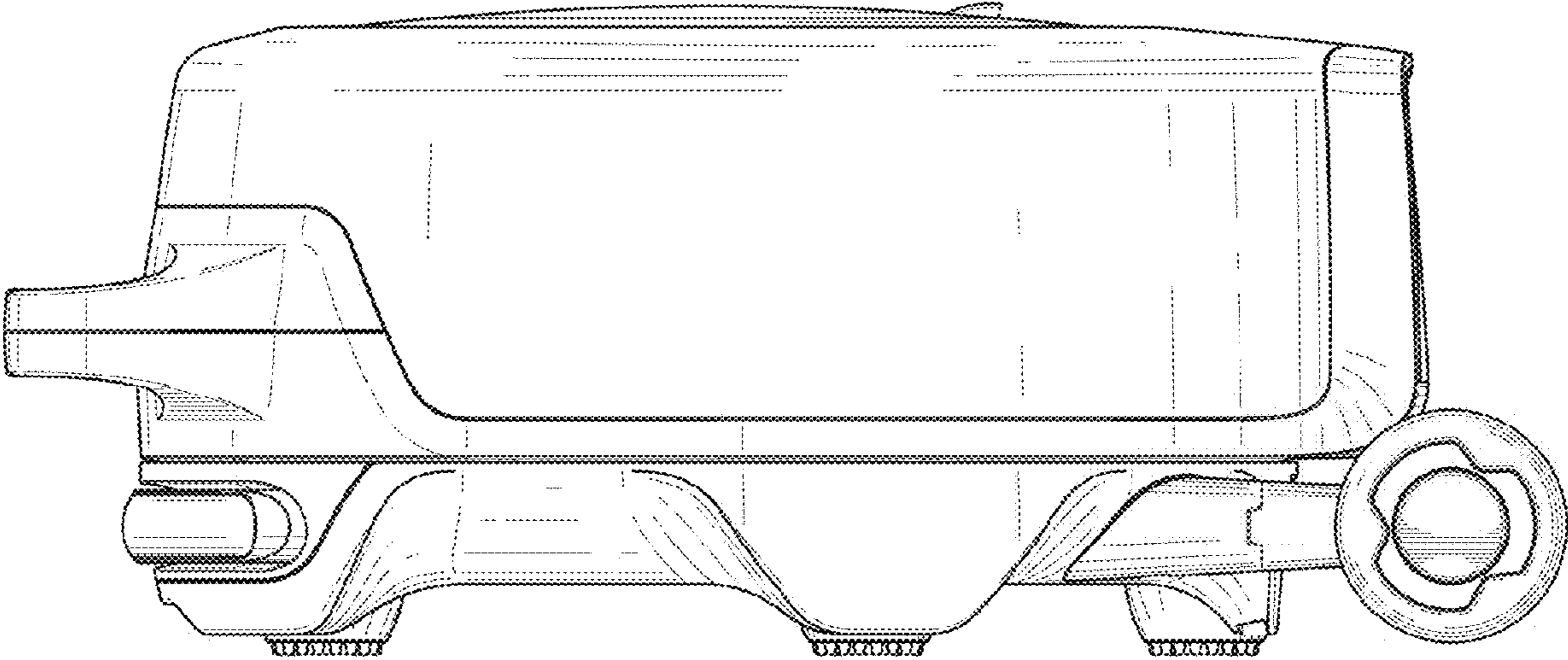


FIG. 11

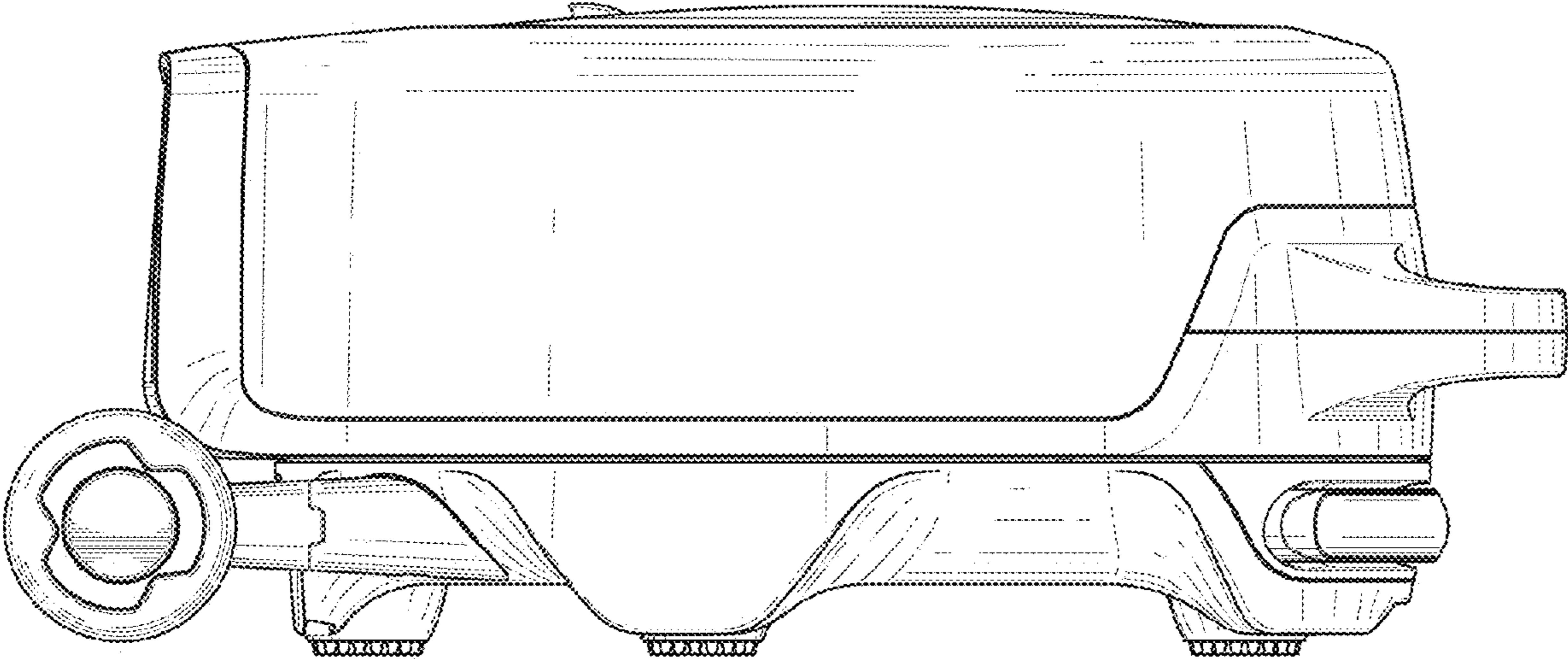


FIG. 12

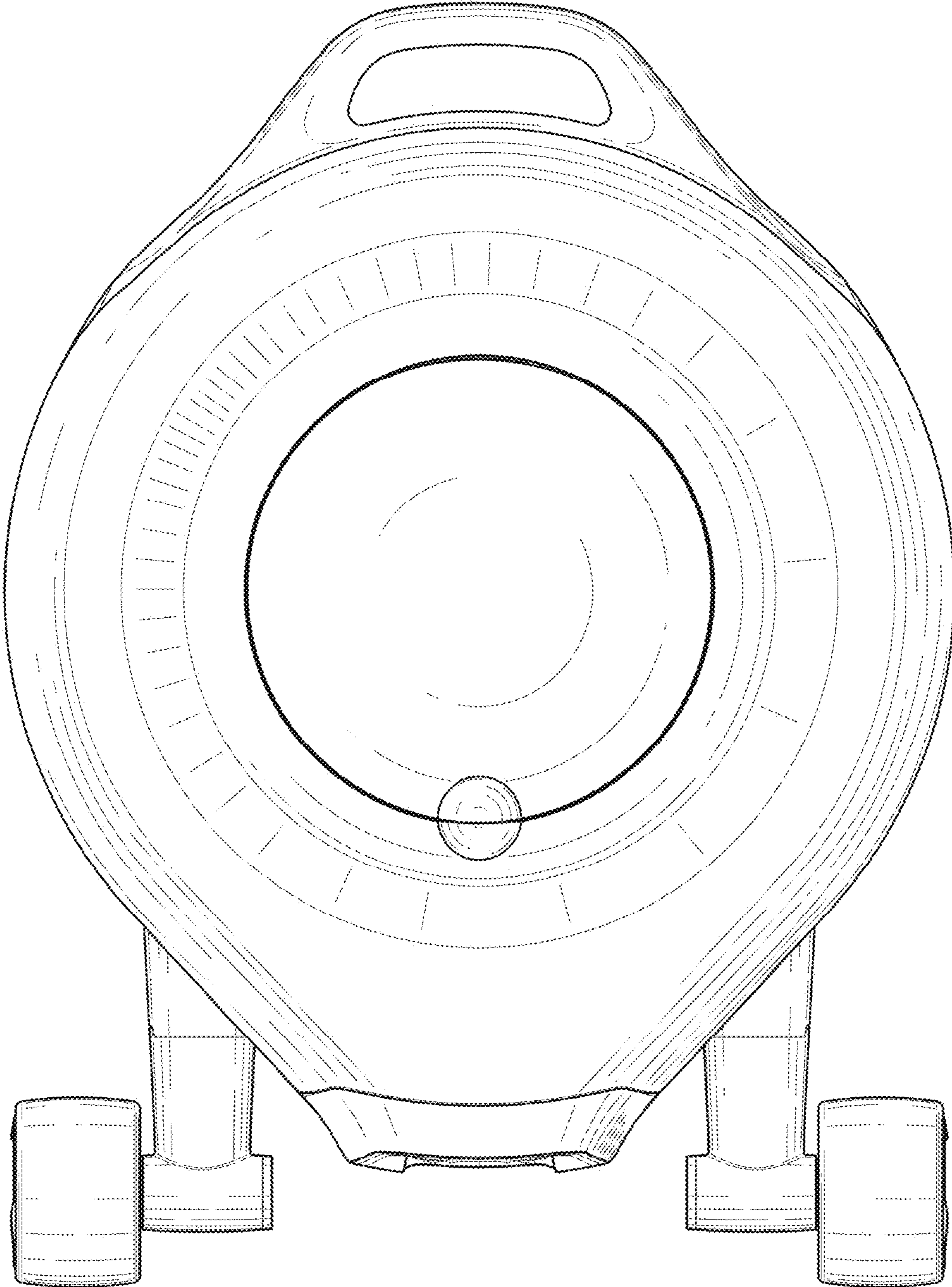


FIG. 13



FIG. 14