



US00D953843S

(12) **United States Design Patent**  
**Miller et al.**

(10) **Patent No.:** **US D953,843 S**  
(45) **Date of Patent:** **\*\* Jun. 7, 2022**

- (54) **PILE SYSTEM**
- (71) Applicants: **Dale Clayton Miller**, Youngsville, NC  
(US); **Julian Young**, Medford, OR (US)
- (72) Inventors: **Dale Clayton Miller**, Youngsville, NC  
(US); **Julian Young**, Medford, OR (US)
- (\*\*) Term: **15 Years**

5,501,550 A \* 3/1996 Calabrese ..... E02D 5/38  
405/232

5,515,656 A 5/1996 Mihalich

D409,764 S \* 5/1999 Laga ..... D25/68

5,961,093 A 10/1999 Jones et al.

D423,686 S \* 4/2000 Swain ..... D25/68

D437,544 S \* 2/2001 Oliver ..... D8/354

6,368,021 B1 \* 4/2002 Strong ..... E02D 7/28  
405/228

(Continued)

- (21) Appl. No.: **29/706,954**
- (22) Filed: **Sep. 25, 2019**
- (51) **LOC (13) Cl.** ..... **08-05**
- (52) **U.S. Cl.**  
USPC ..... **D8/354**; D25/199
- (58) **Field of Classification Search**  
USPC ..... D8/349, 354, 382, 384, 385; D15/140;  
D25/68, 126, 127, 133, 134, 199  
CPC ..... E02D 27/42; E02D 5/80; E02D 31/002;  
H01Q 1/1242; E04H 12/22; E04H 12/223  
See application file for complete search history.

**FOREIGN PATENT DOCUMENTS**

DE 823336 C 11/1952

DE 102009037175 A1 2/2011

(Continued)

**OTHER PUBLICATIONS**

Quayle Action for U.S. Appl. No. 29/706,951, dated Jul. 7, 2020, 6 pages.

*Primary Examiner* — Patricia A Palasik  
(74) *Attorney, Agent, or Firm* — Withrow & Terranova, PLLC

(56) **References Cited**

**U.S. PATENT DOCUMENTS**

- 2,964,145 A 12/1960 Clatfeller
- 3,591,113 A 7/1971 Foster, Jr.
- 3,775,918 A 12/1973 Johnson
- 3,964,404 A \* 6/1976 Mueller ..... F16B 2/065  
108/147.14
- 4,189,125 A 2/1980 Little
- 4,295,308 A 10/1981 Korfanta
- 4,378,179 A \* 3/1983 Hasle ..... E02B 17/027  
405/227
- 4,402,166 A 9/1983 Wortham, Jr.
- 4,431,347 A \* 2/1984 Gillen, Jr. .... E02D 5/523  
403/306
- 4,899,497 A 2/1990 Madl, Jr.
- 5,039,256 A 8/1991 Gagliano
- 5,065,975 A 11/1991 Giles
- D335,435 S \* 5/1993 Lawson ..... D8/71

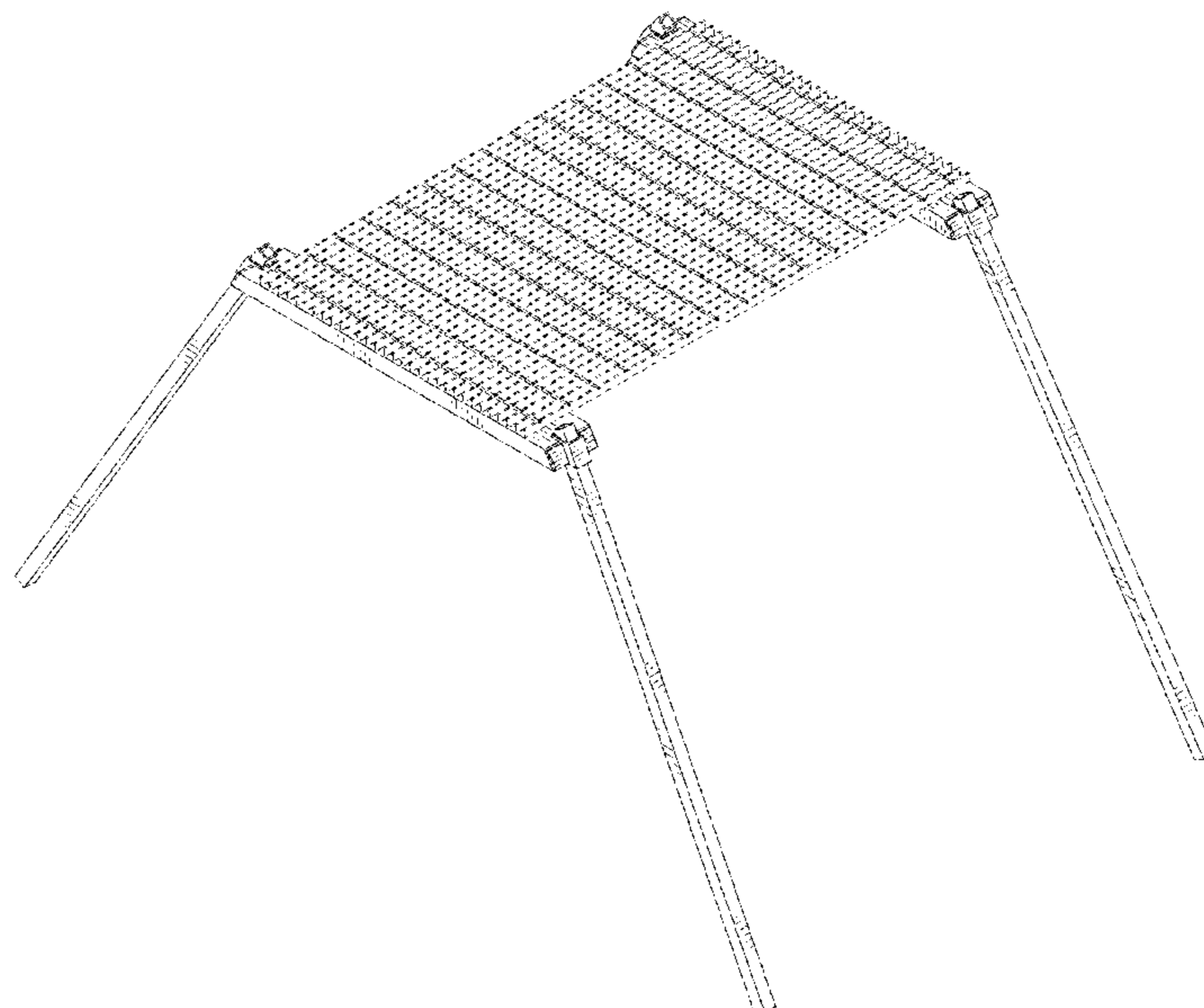
(57) **CLAIM**

The ornamental design for a pile system, as shown and described.

**DESCRIPTION**

FIG. 1 is a perspective view of a pile system;  
FIG. 2 is a front view of the pile system of FIG. 1;  
FIG. 3 is a back view of the pile system of FIG. 1;  
FIG. 4 is a right side view of the pile system of FIG. 1;  
FIG. 5 is a left side view of the pile system of FIG. 1;  
FIG. 6 is a top view of the pile system of FIG. 1; and,  
FIG. 7 is a bottom view of the pile system of FIG. 1.  
The broken lines depict portions of the pile system that form no part of the claimed design.

**1 Claim, 7 Drawing Sheets**



(56)

References Cited

U.S. PATENT DOCUMENTS

D495,426 S \* 8/2004 Yamaoka ..... D25/62  
 6,979,151 B1 \* 12/2005 Bourgeo ..... E02D 5/523  
 403/292  
 7,610,733 B2 11/2009 Rizzotto  
 7,681,373 B2 3/2010 Kariakin  
 D622,868 S 8/2010 Bajrami  
 D622,869 S \* 8/2010 Bajrami ..... D25/35  
 D666,473 S 9/2012 Despotellis  
 D666,474 S 9/2012 Despotellis  
 D666,895 S 9/2012 Despotellis  
 8,844,209 B1 9/2014 Oliver et al.  
 9,109,355 B1 8/2015 Strauch  
 D757,959 S \* 5/2016 Aoi ..... D25/68  
 9,850,638 B2 12/2017 Despotellis  
 10,526,758 B1 1/2020 Martin et al.  
 2003/0085482 A1 \* 5/2003 Sincock ..... E02D 5/64  
 264/32  
 2003/0143036 A1 \* 7/2003 Larsen, Jr. .... E02D 27/35  
 405/232  
 2004/0149796 A1 \* 8/2004 Cohen ..... A45F 5/00  
 224/660  
 2005/0081459 A1 \* 4/2005 Moroschan ..... E02D 3/08  
 52/169.1  
 2006/0013656 A1 \* 1/2006 Blum ..... E21B 10/44  
 405/241  
 2006/0275085 A1 \* 12/2006 Ong ..... E02D 35/00  
 405/230

2007/0158526 A1 7/2007 Platt  
 2009/0052994 A1 \* 2/2009 Lawler ..... E02D 27/52  
 405/224  
 2009/0245977 A1 \* 10/2009 Edelson ..... E02D 13/04  
 414/137.7  
 2010/0290843 A1 \* 11/2010 Irvine ..... E02D 13/04  
 405/274  
 2010/0307073 A1 12/2010 Oliver et al.  
 2011/0158752 A1 \* 6/2011 Hitchin ..... E02D 5/385  
 405/232  
 2013/0086974 A1 \* 4/2013 Rausche ..... G01N 3/303  
 73/12.01  
 2014/0311083 A1 \* 10/2014 Madril ..... E04H 12/20  
 52/741.14  
 2015/0071712 A1 \* 3/2015 Kemp ..... E02D 5/56  
 405/251  
 2015/0211200 A1 \* 7/2015 Nishioka ..... E02D 27/12  
 405/232  
 2016/0186403 A1 \* 6/2016 Tomchesson ..... E02D 5/526  
 405/244  
 2017/0101760 A1 4/2017 Seay  
 2018/0106010 A1 4/2018 Despotellis  
 2021/0172139 A1 \* 6/2021 Duncan ..... E02D 13/04

FOREIGN PATENT DOCUMENTS

EP 2360331 A1 8/2011  
 FR 2829777 A1 3/2003

\* cited by examiner

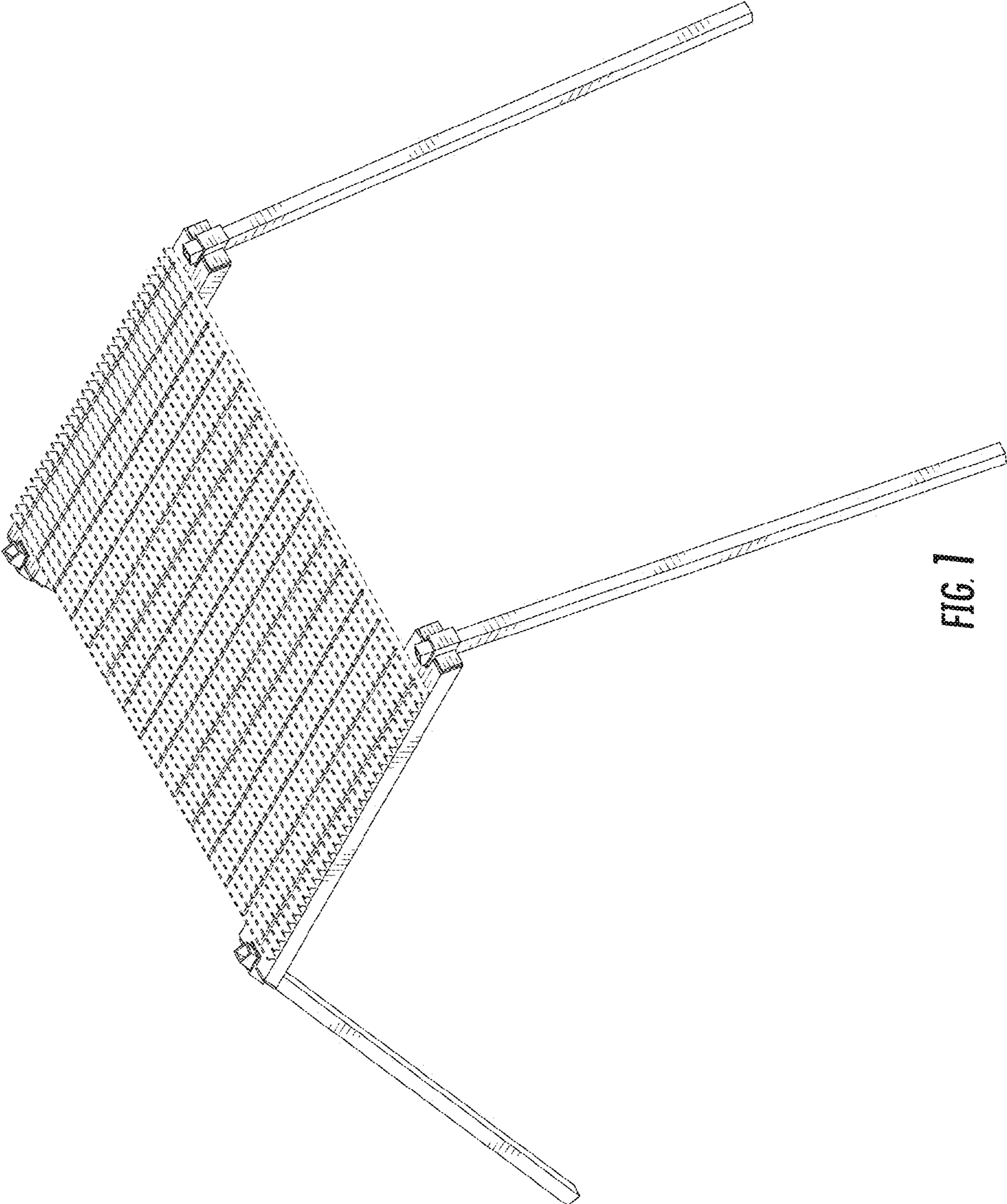


FIG. 1

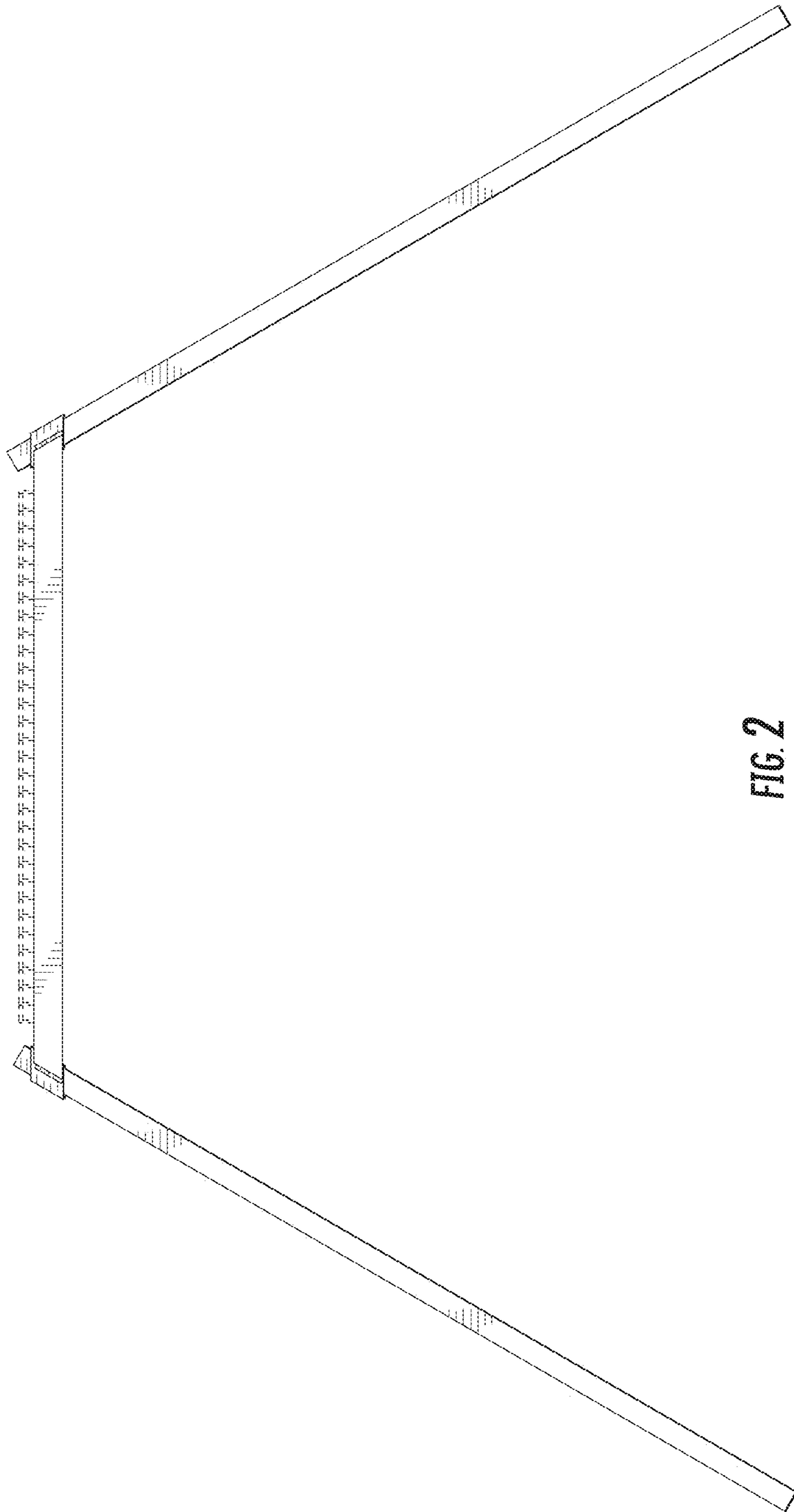


FIG. 2

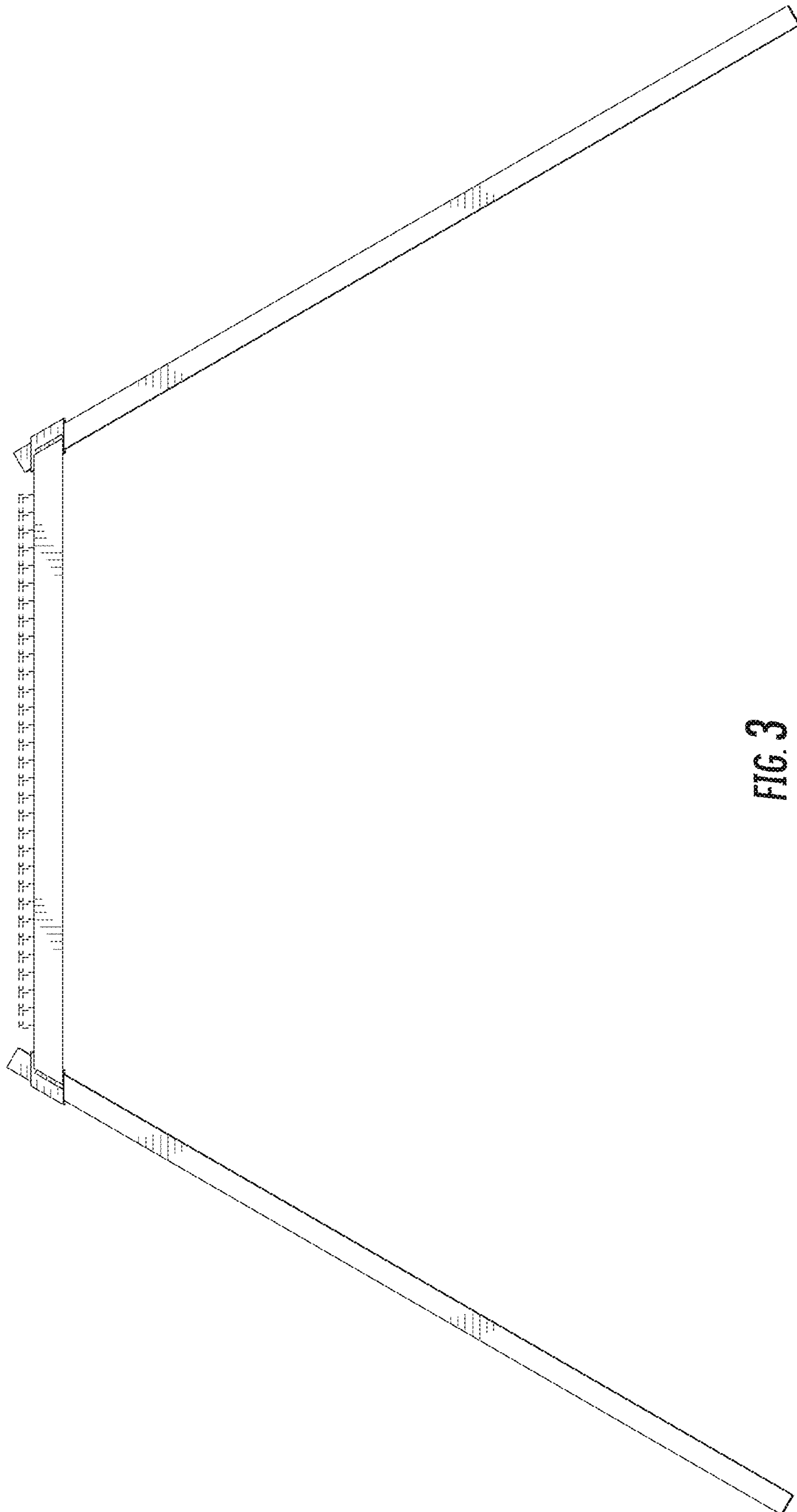


FIG. 3

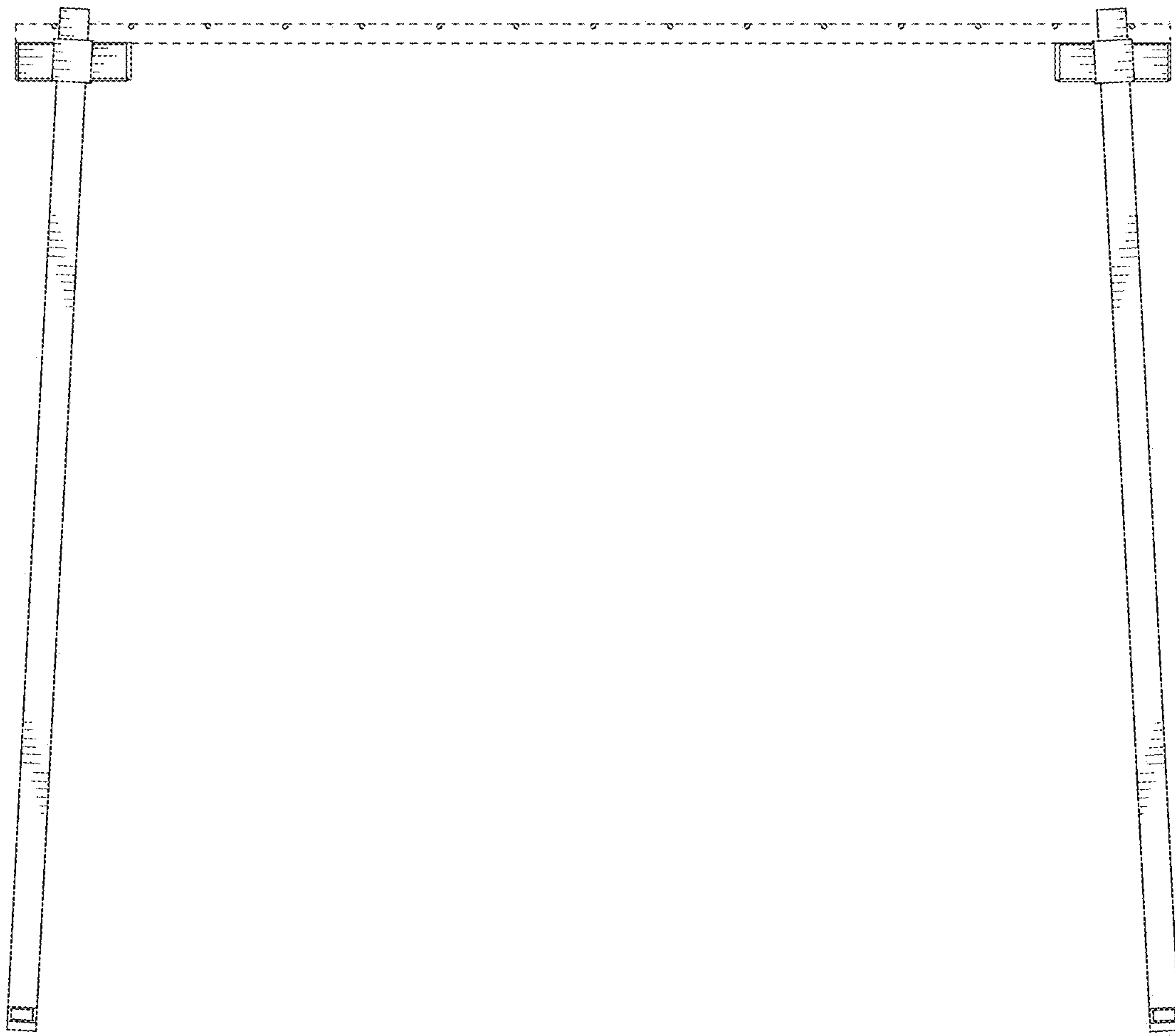


FIG. 4

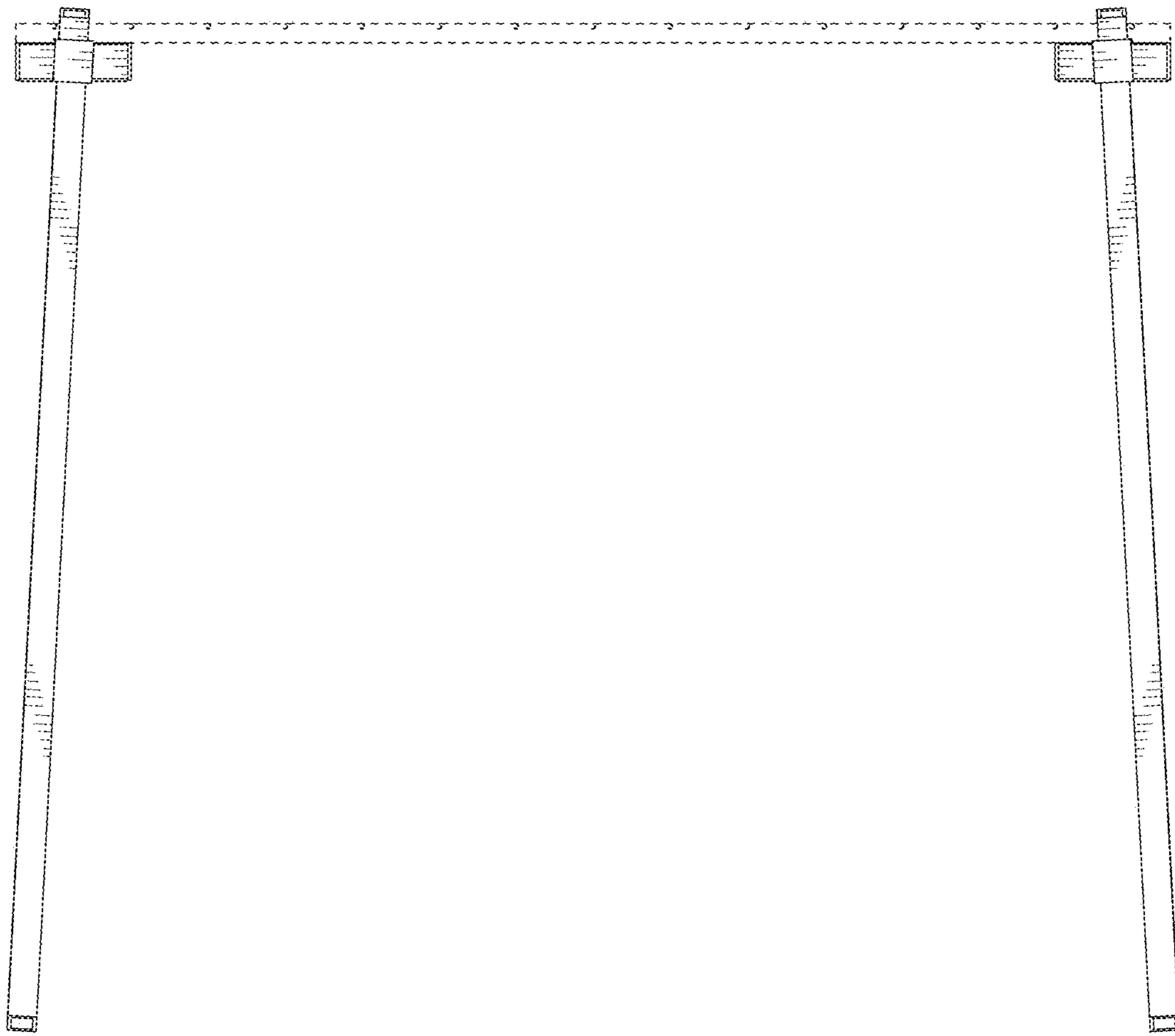


FIG. 5

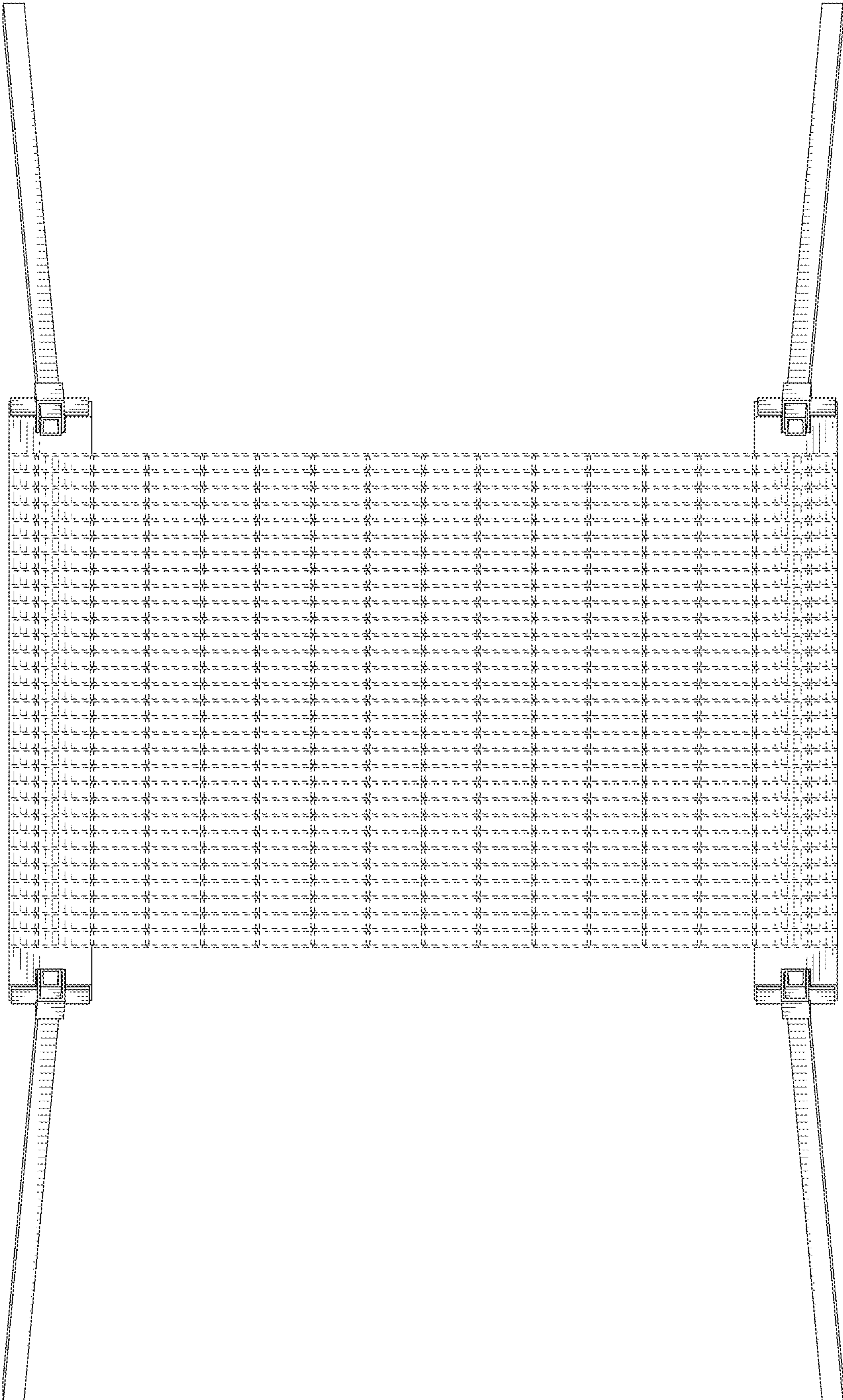


FIG. 6



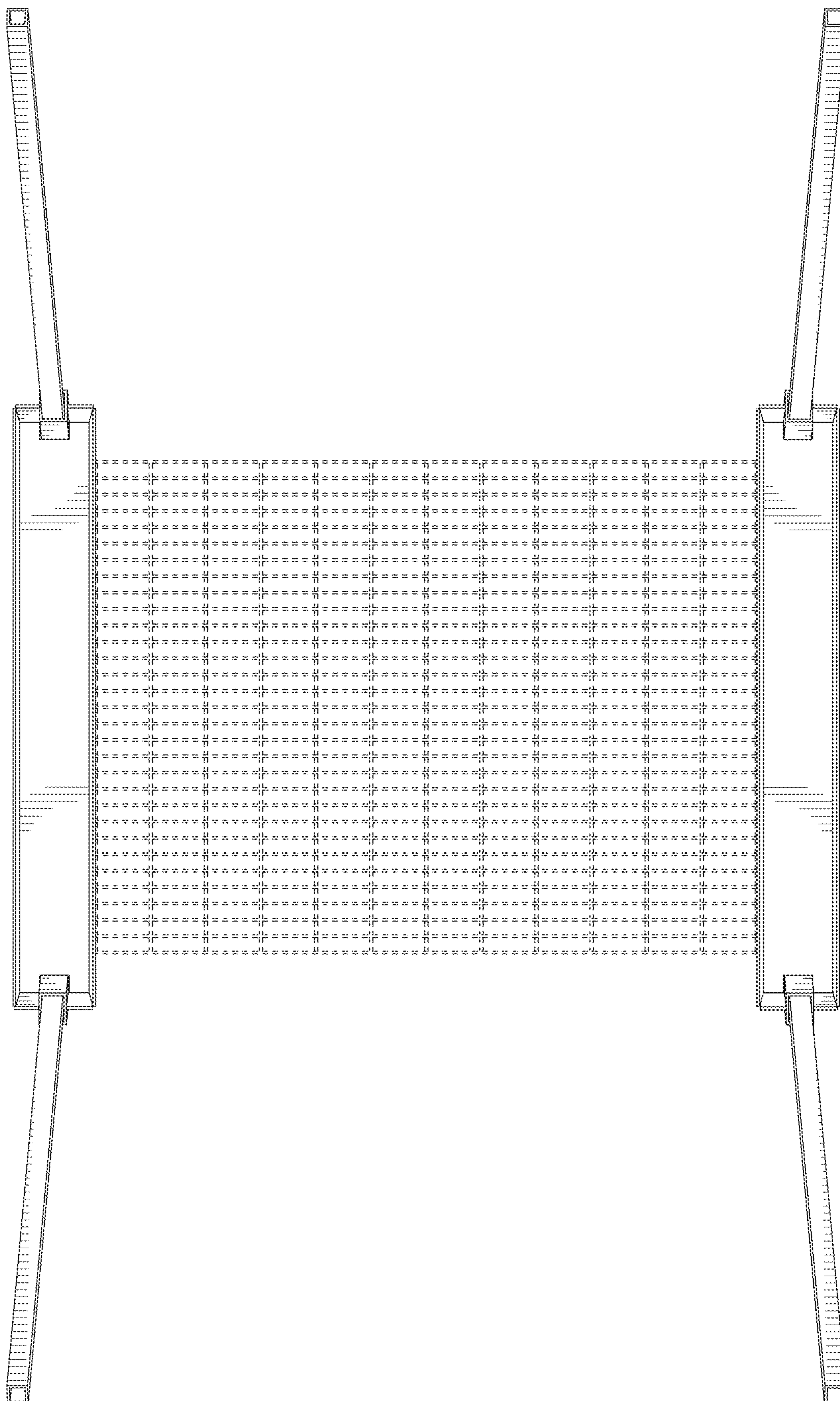


FIG. 7