



US00D953839S

(12) **United States Design Patent**
Patel

(10) **Patent No.:** **US D953,839 S**

(45) **Date of Patent:** **** Jun. 7, 2022**

(54) **HAND GRIP**

(71) Applicant: **Jiffy Knee, LLC**, Suffolk, VA (US)

(72) Inventor: **Manish A. Patel**, Suffolk, VA (US)

(73) Assignee: **JIFFY KNEE, LLC**, Suffolk, VA (US)

(**) Term: **15 Years**

(21) Appl. No.: **29/768,024**

(22) Filed: **Jan. 27, 2021**

(51) **LOC (13) Cl.** **08-06**

(52) **U.S. Cl.**
USPC **D8/303**

(58) **Field of Classification Search**

USPC D8/107, 300, 303, 307, 310, 321, 322;
D23/250-254; D7/393, 394, 395, 396
CPC Y10T 16/469; Y10T 16/44; Y10T 16/466;
Y10T 16/4713; Y10T 16/459; Y10T
74/20828; Y10T 29/49826; Y10T
74/20732; Y10T 16/4559; Y10T
74/20864; Y10T 74/20822; A46B 5/026;
A46B 2200/302; A46B 5/021; A47L
13/022; A47L 1/06; A47L 13/20; A47L
11/4075; B25G 1/10; B25G 1/00; B25G
3/04; B25G 3/00; Y10S 16/12; Y10S
16/19; Y10S 16/41; Y10S 16/90; Y10S
16/40

See application file for complete search history.

(56) **References Cited**

U.S. PATENT DOCUMENTS

D526,184 S * 8/2006 Yu D8/83
D614,819 S * 4/2010 Lin D4/138
D658,026 S * 4/2012 Dale D8/107
D775,909 S * 1/2017 Harrington D8/14
D867,100 S * 11/2019 Papafagos D8/303
D919,403 S * 5/2021 Lin D8/107
D926,553 S * 8/2021 Buckley D8/322
2005/0138777 A1* 6/2005 Cornfield B25G 1/102
16/430

2007/0220710 A1* 9/2007 Hsieh B25G 1/102
16/436
2008/0092337 A1* 4/2008 Gross B25G 1/102
81/489
2010/0095812 A1* 4/2010 Lai B25B 23/0042
81/438
2010/0107826 A1* 5/2010 Gauthier B29C 45/006
81/177.1

* cited by examiner

Primary Examiner — Lauren R Calve

(74) *Attorney, Agent, or Firm* — Peter J. Van Bergen

(57) **CLAIM**

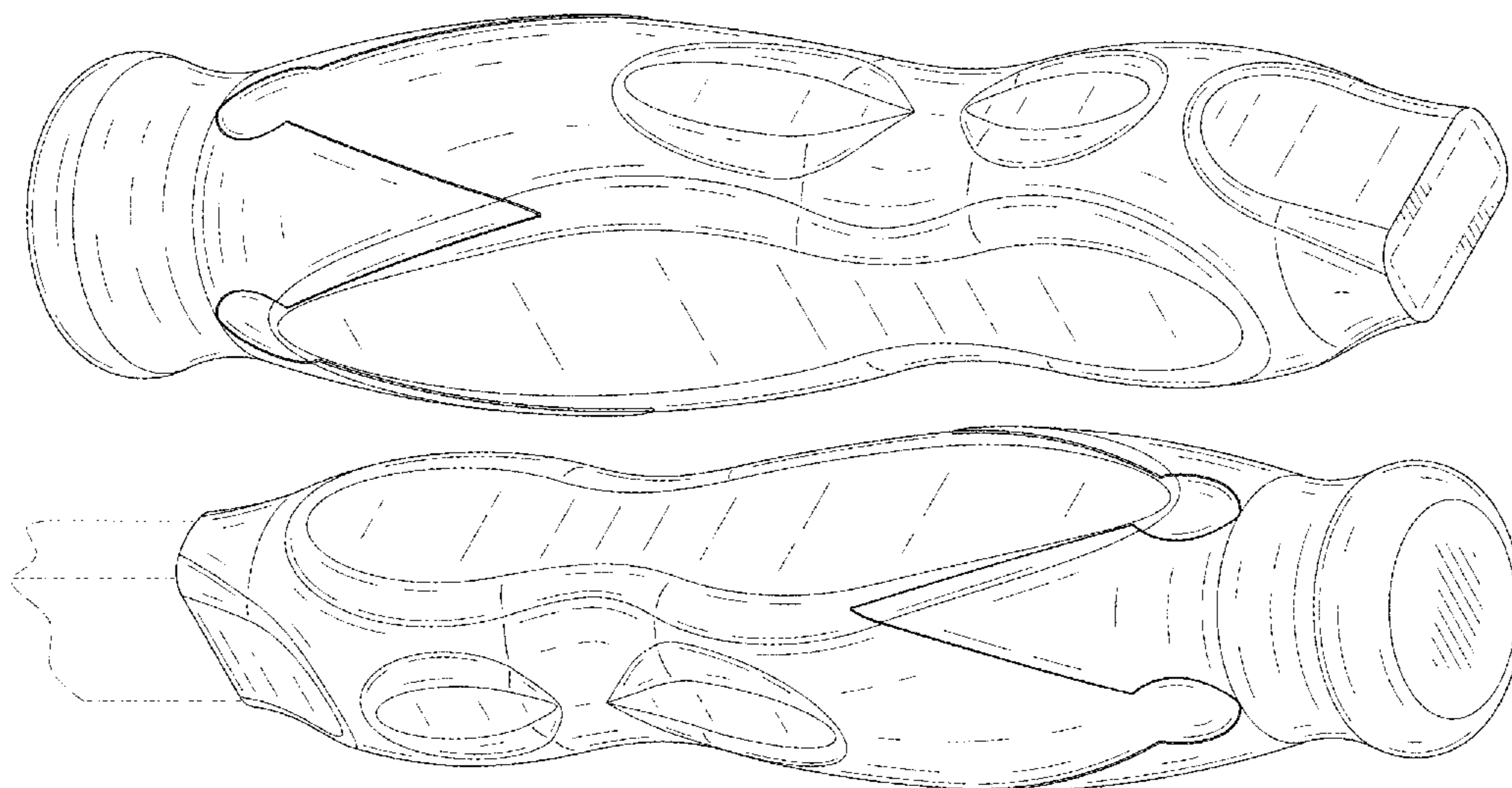
I claim the ornamental design for a hand grip, as shown and described.

DESCRIPTION

FIG. 1 is a front perspective view of a hand grip in accordance with my new design;
FIG. 2 is a back perspective view thereof with a portion of an unclaimed environment illustrated in broken lines;
FIG. 3 is a top plan view thereof with a portion of an unclaimed environment illustrated in broken lines;
FIG. 4 is a bottom plan view thereof in correspondence with the view illustrated in FIG. 1;
FIG. 5 is a right side elevational view thereof with a portion of an unclaimed environment illustrated in broken lines;
FIG. 6 is a left side elevational view thereof in correspondence with the view illustrated in FIG. 1;
FIG. 7 is front elevational view thereof in correspondence with the view illustrated in FIG. 1;
FIG. 8 is a back elevational view thereof; and,
FIG. 9 is a second front perspective view thereof with a portion of an unclaimed environment illustrated in broken lines.

The broken lines in the figures depict unclaimed environment that are shown for illustrative purposes only, and form no part of the claimed design.

1 Claim, 4 Drawing Sheets



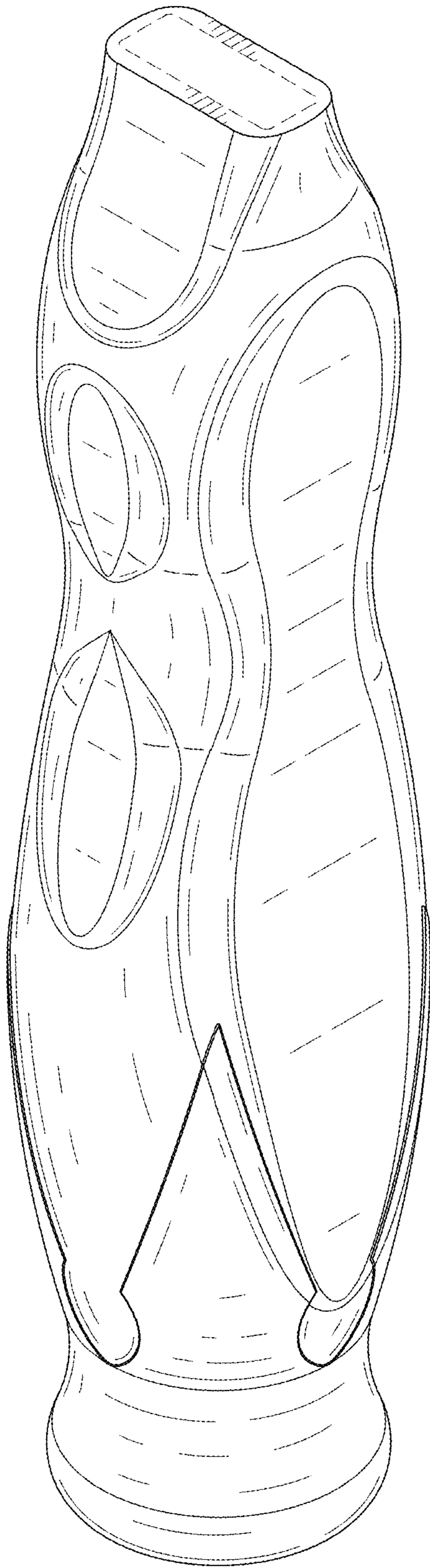


FIG. 1

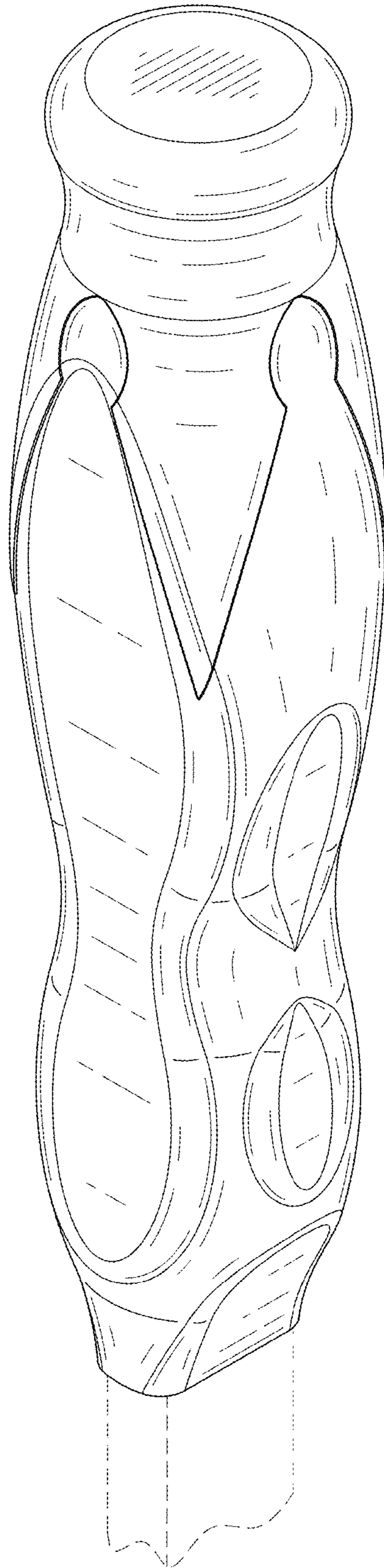


FIG. 2

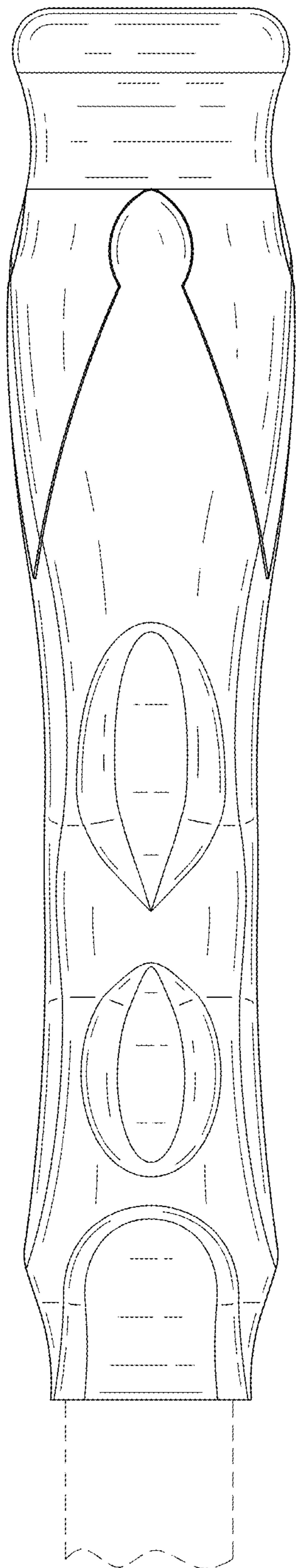


FIG. 3

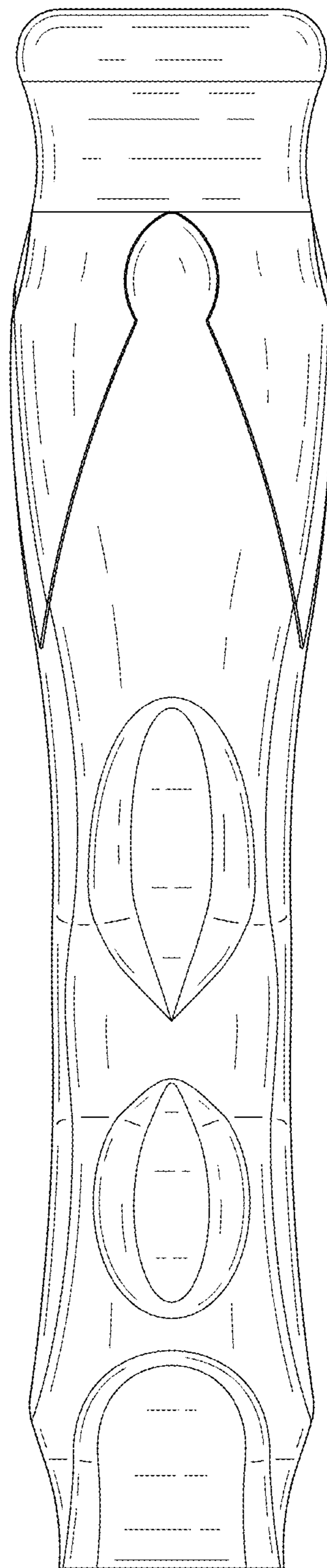


FIG. 4

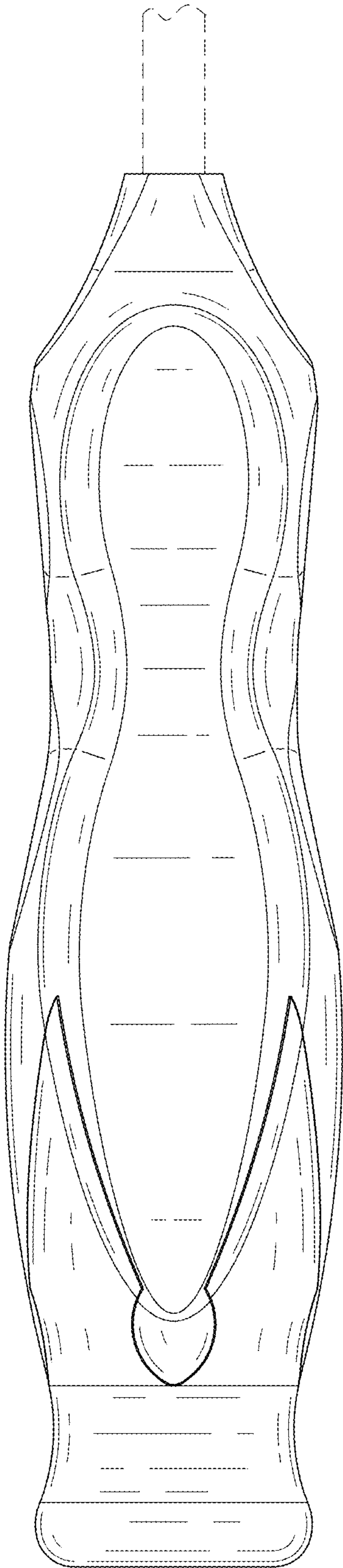


FIG. 5

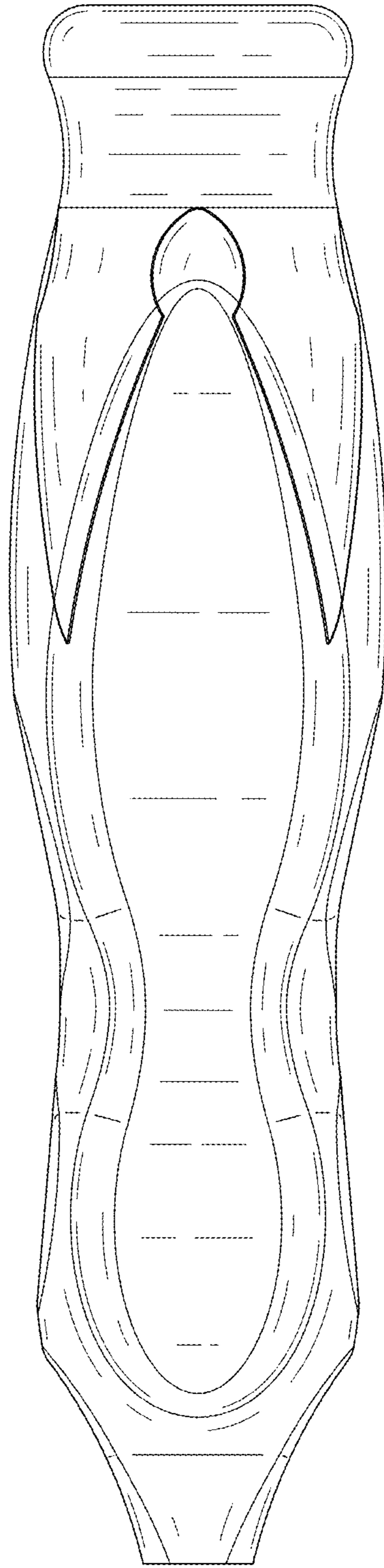


FIG. 6

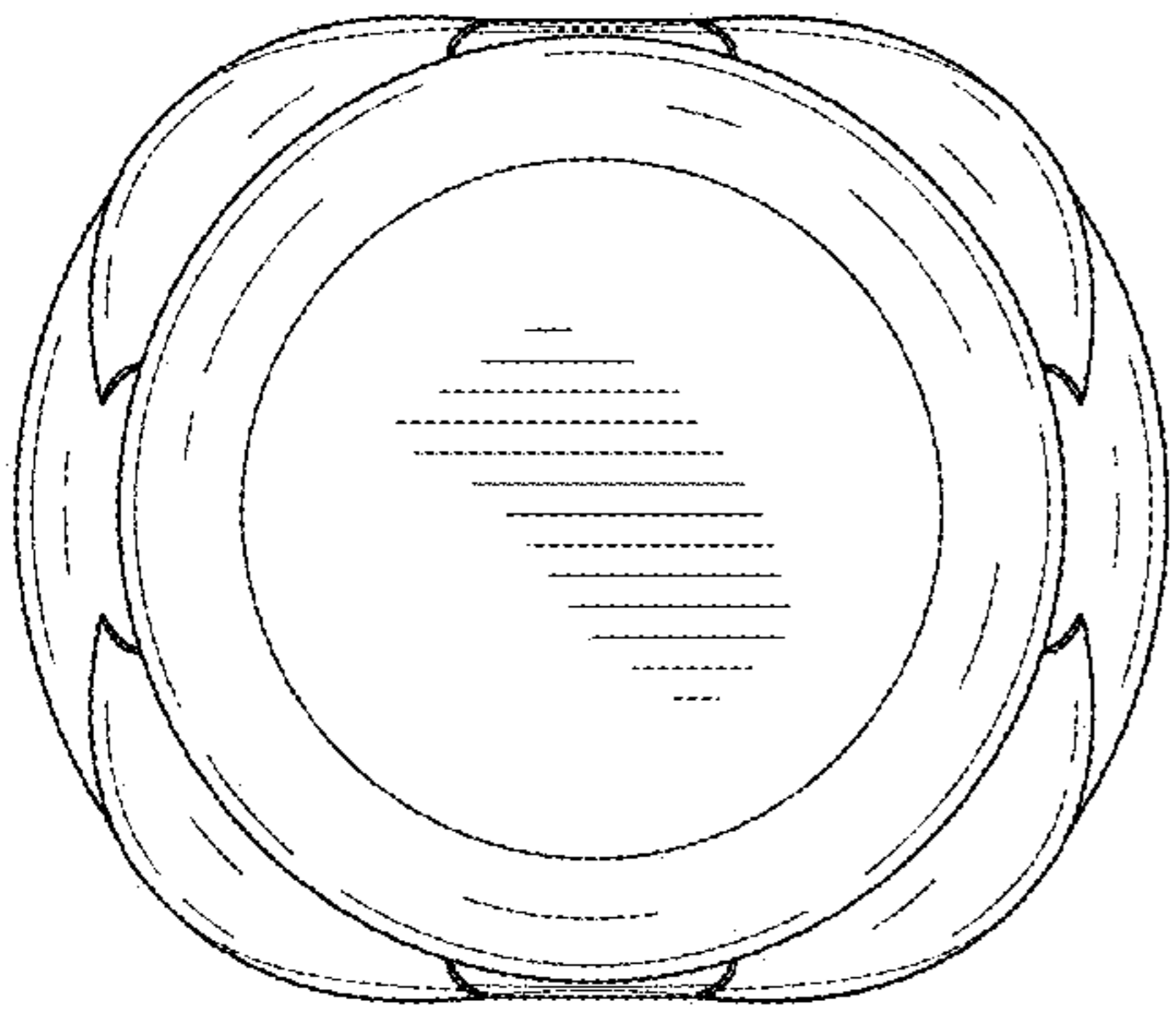


FIG. 8

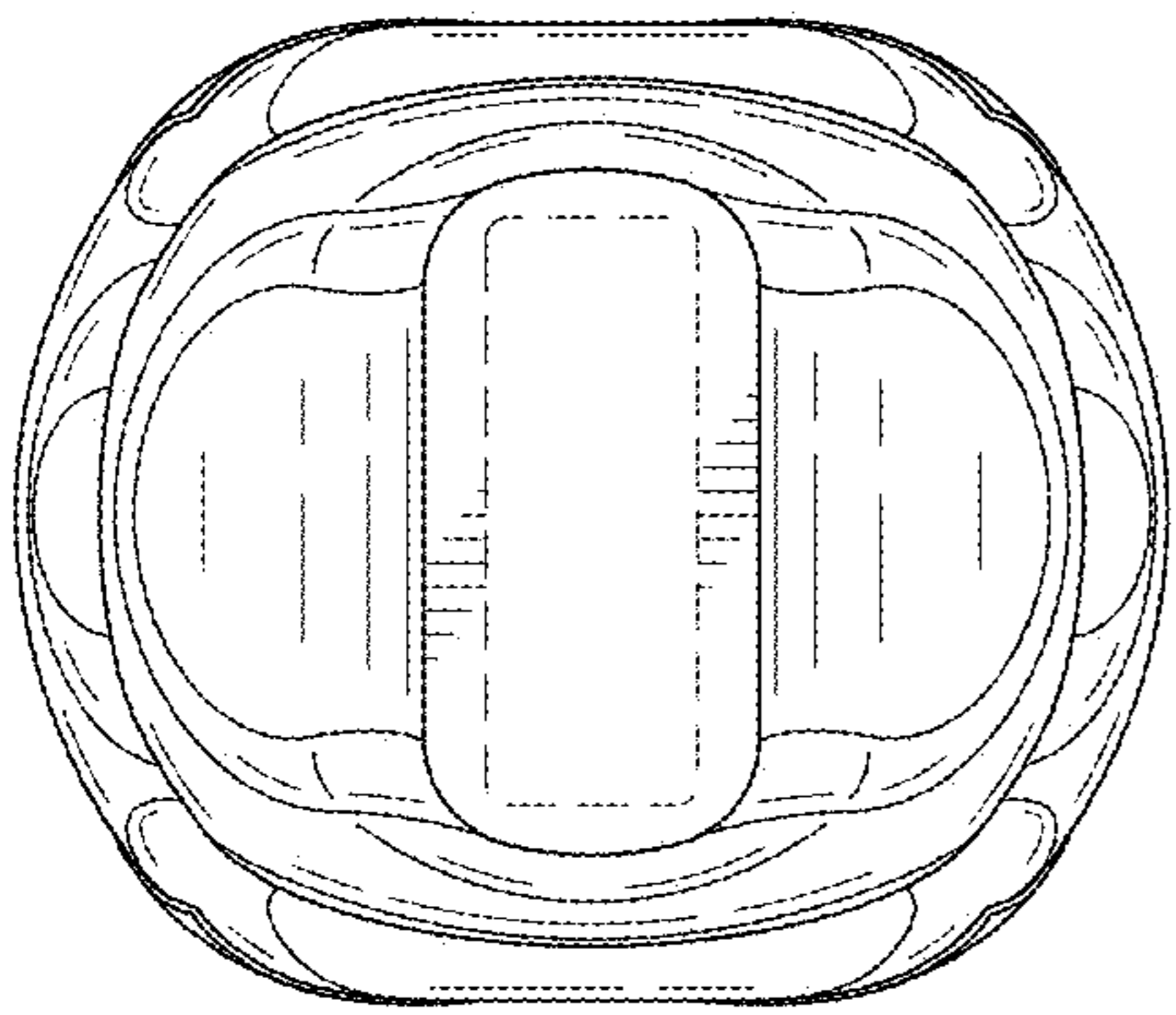


FIG. 7

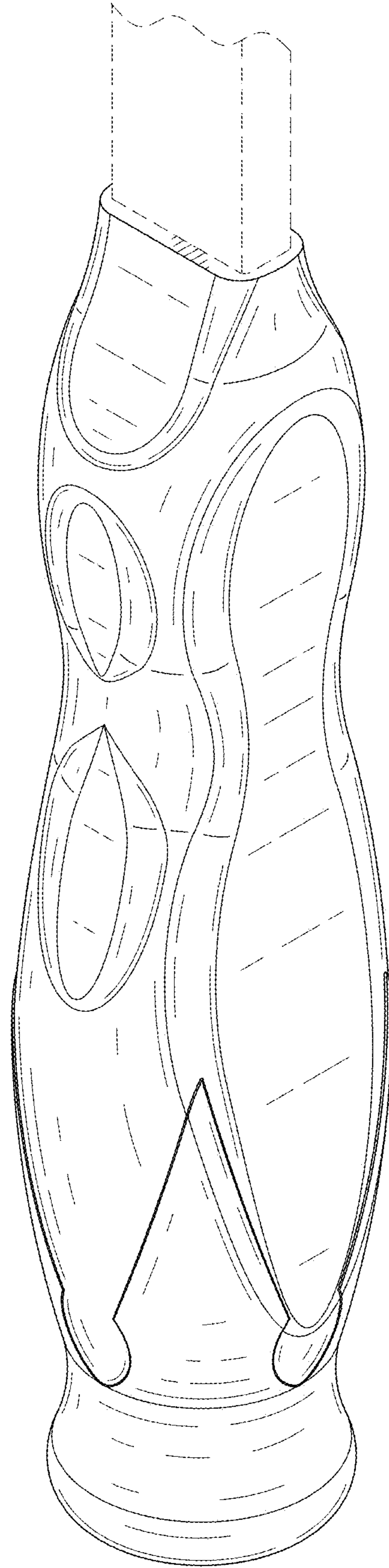


FIG. 9