



US00D953837S

(12) **United States Design Patent**
Scimone et al.

(10) **Patent No.:** **US D953,837 S**

(45) **Date of Patent:** **** Jun. 7, 2022**

(54) **SAFETY CUTTER**

(71) Applicant: **SLICE, INC.**, San Jose, CA (US)

(72) Inventors: **Thomas Scimone**, San Jose, CA (US);
Scot Herbst, Santa Cruz, CA (US)

(73) Assignee: **Slice, Inc.**, Sunny Isles, FL (US)

(**) Term: **15 Years**

(21) Appl. No.: **29/756,657**

(22) Filed: **Oct. 29, 2020**

(51) **LOC (13) Cl.** **08-03**

(52) **U.S. Cl.**
USPC **D8/99**

(58) **Field of Classification Search**
USPC D8/14, 51, 98, 99, 100, 105; D22/118
CPC B26B 1/00; B26B 1/08; B26B 1/10; B26B
5/001; B26B 5/002; B26B 5/003; B26B
5/005; B26B 5/006
See application file for complete search history.

(56) **References Cited**

U.S. PATENT DOCUMENTS

2,486,900	A *	11/1949	Willis	B26B 27/00 30/2
2,578,896	A *	12/1951	Moore	B26B 5/006 30/321
2,610,399	A *	9/1952	Adams	B43M 7/002 30/286
4,281,458	A *	8/1981	Okada	B26B 5/001 30/162
D307,859	S *	5/1990	Morrisey	D8/98
D337,930	S *	8/1993	Jones, Jr.	D8/98
D424,397	S *	5/2000	Wiseman	D8/98
D447,400	S *	9/2001	Okada	D8/98
6,516,520	B1 *	2/2003	Liao	B26B 1/08 30/162
D481,608	S *	11/2003	DiPalma	D8/98
7,185,435	B1 *	3/2007	Tseng	B26B 5/001 30/152

(Continued)

Primary Examiner — Philip S Hyder

(74) *Attorney, Agent, or Firm* — Ellenoff Grossman & Schole LLP; James M. Smedley; Alex Korona

(57) **CLAIM**

We claim the ornamental design for a safety cutter, as shown and described.

DESCRIPTION

FIG. 1 is a top front perspective view showing the new design.

FIG. 2 is a top view showing the new design.

FIG. 3 is a bottom view showing the new design.

FIG. 4 is a front view showing the new design.

FIG. 5 is a rear view showing the new design.

FIG. 6 is a right side view showing the new design.

FIG. 7 is a left side view of the new design.

FIG. 8 is a top front perspective view of the new design with the blade guard retracted.

FIG. 9 is a top view showing the new design with the blade guard retracted.

FIG. 10 is a bottom view showing the new design with the blade guard retracted.

FIG. 11 is a front view showing the new design with the blade guard retracted.

FIG. 12 is a rear view showing the new design with the blade guard retracted.

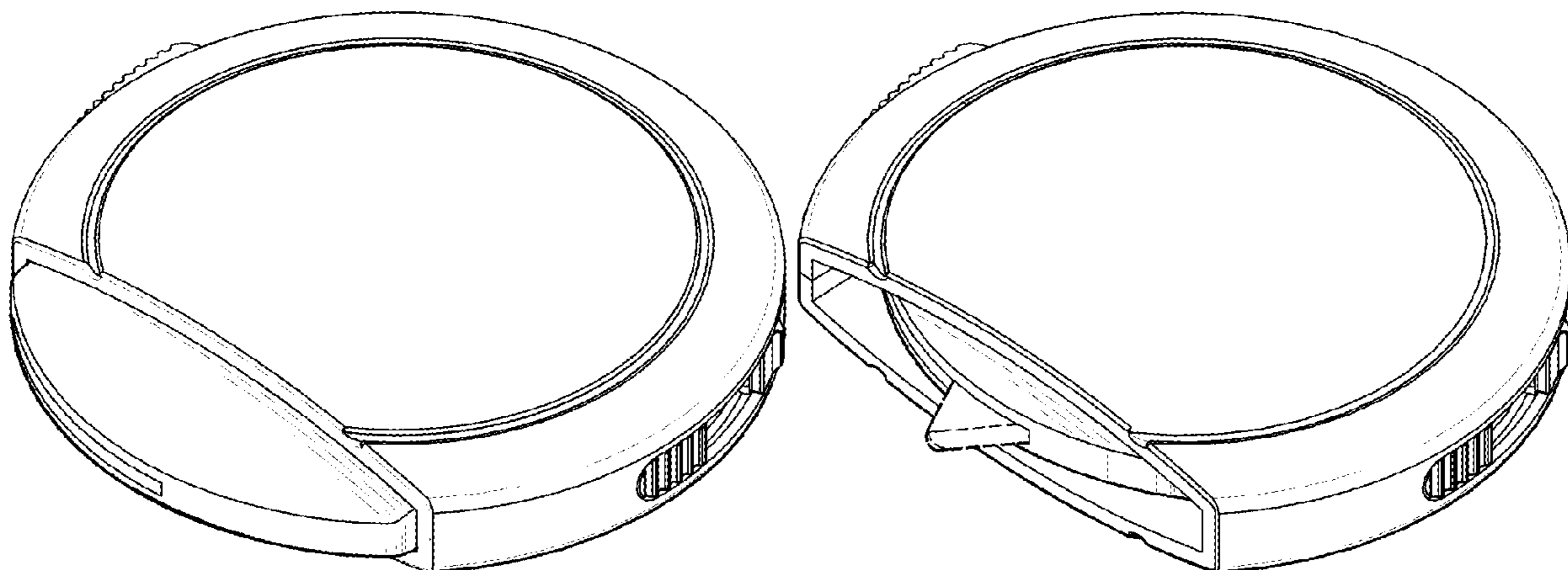
FIG. 13 is a right side view showing the new design with the blade guard retracted; and,

FIG. 14 is a left side view of the new design with the blade guard retracted.

The shading lines shown in the drawings represent the approximate three-dimensional contour of the design, and are not intended to indicate surface decoration.

The broken lines depict portions of the safety cutter in which the design is embodied that are not considered part of the claimed design.

1 Claim, 5 Drawing Sheets



(56)

References Cited

U.S. PATENT DOCUMENTS

7,188,424 B2 * 3/2007 Webster B26B 25/005
30/164.95
D762,437 S * 8/2016 Lipscomb D8/98
9,579,808 B2 * 2/2017 Scimone B26B 5/003
10,279,491 B2 * 5/2019 Scimone B26B 1/00
2014/0173912 A1 * 6/2014 Scimone B26B 1/00
30/162
2016/0288345 A1 * 10/2016 Alagno B26B 9/00

* cited by examiner

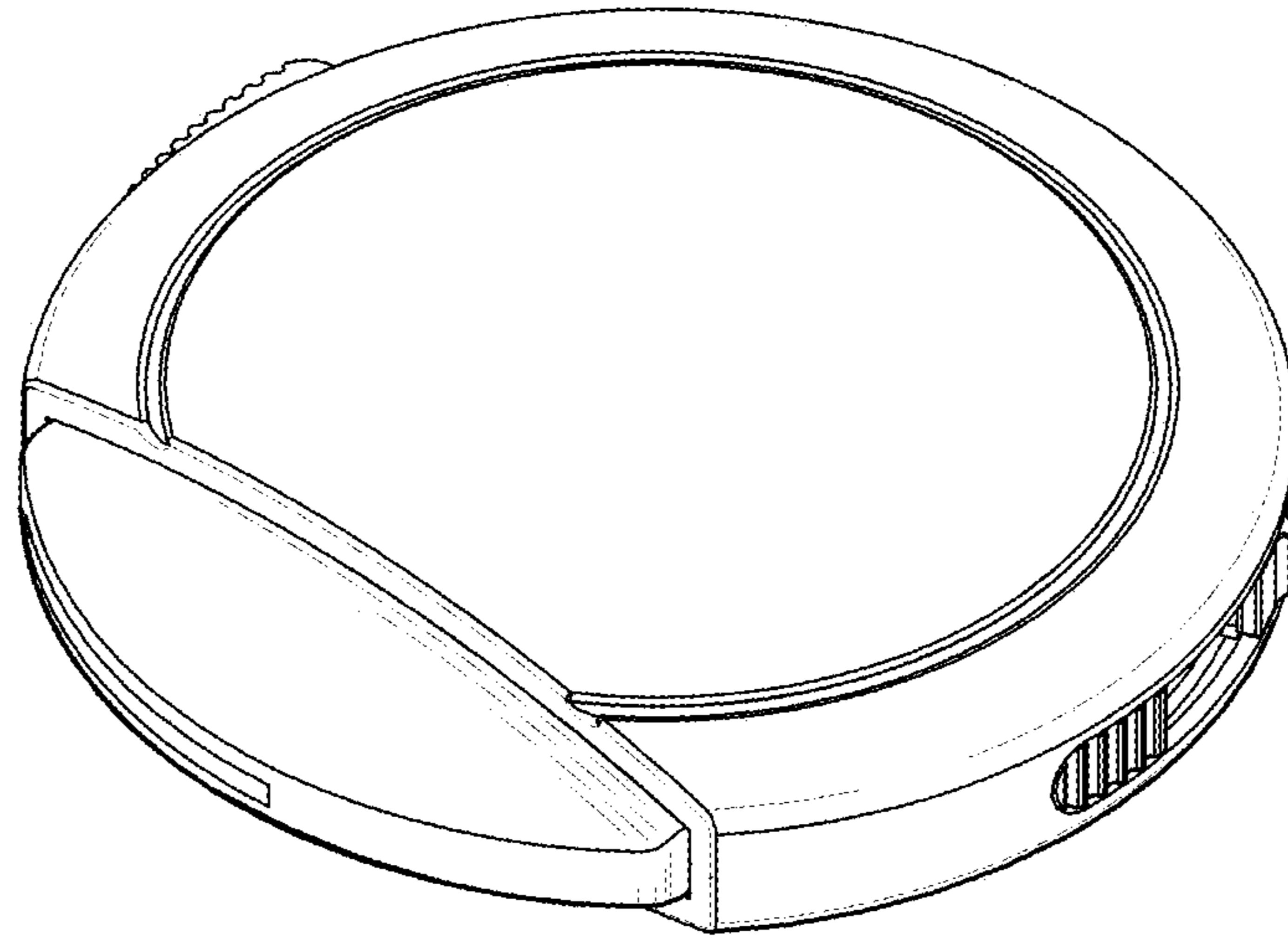


FIG. 1

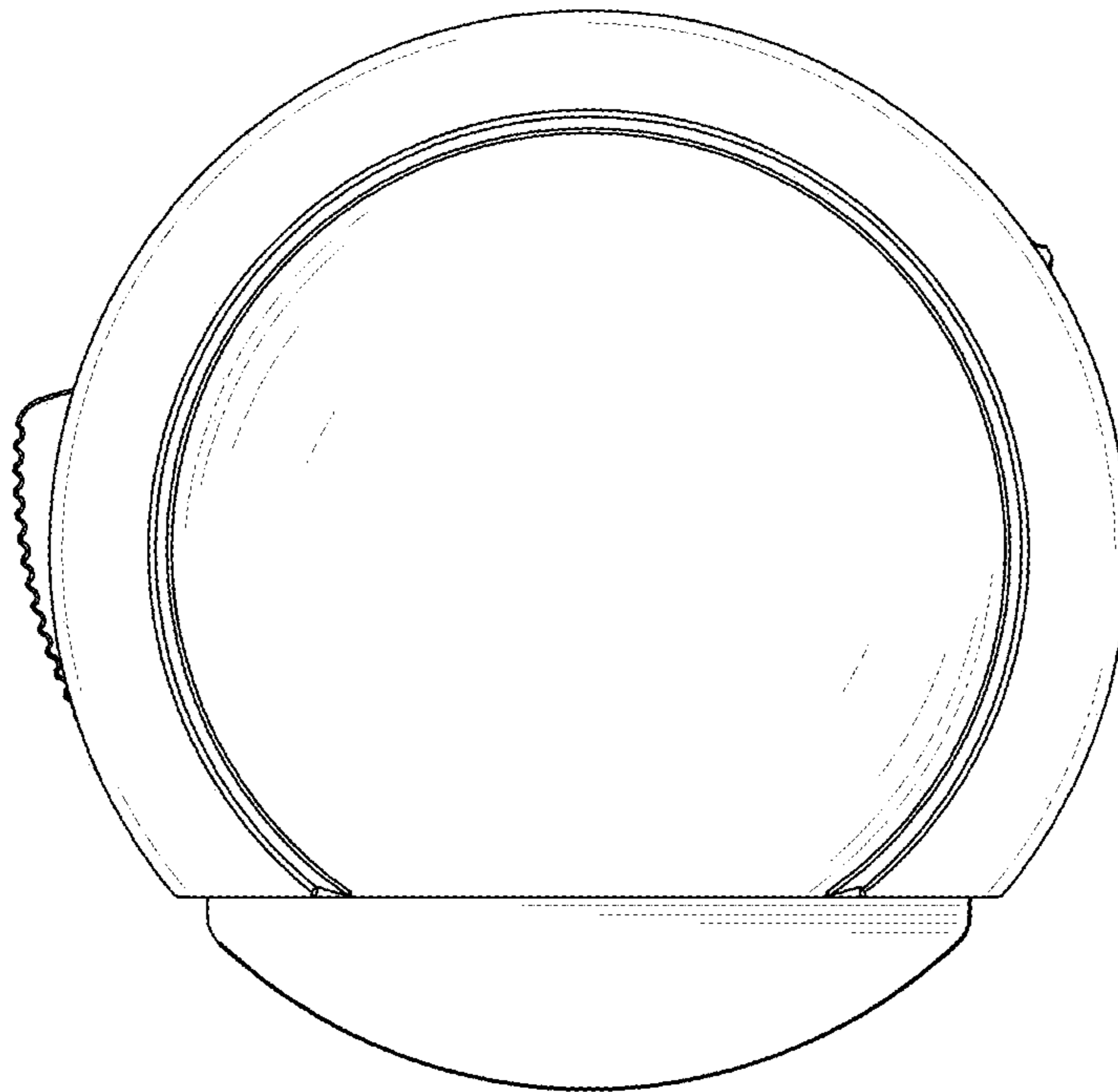


FIG. 2

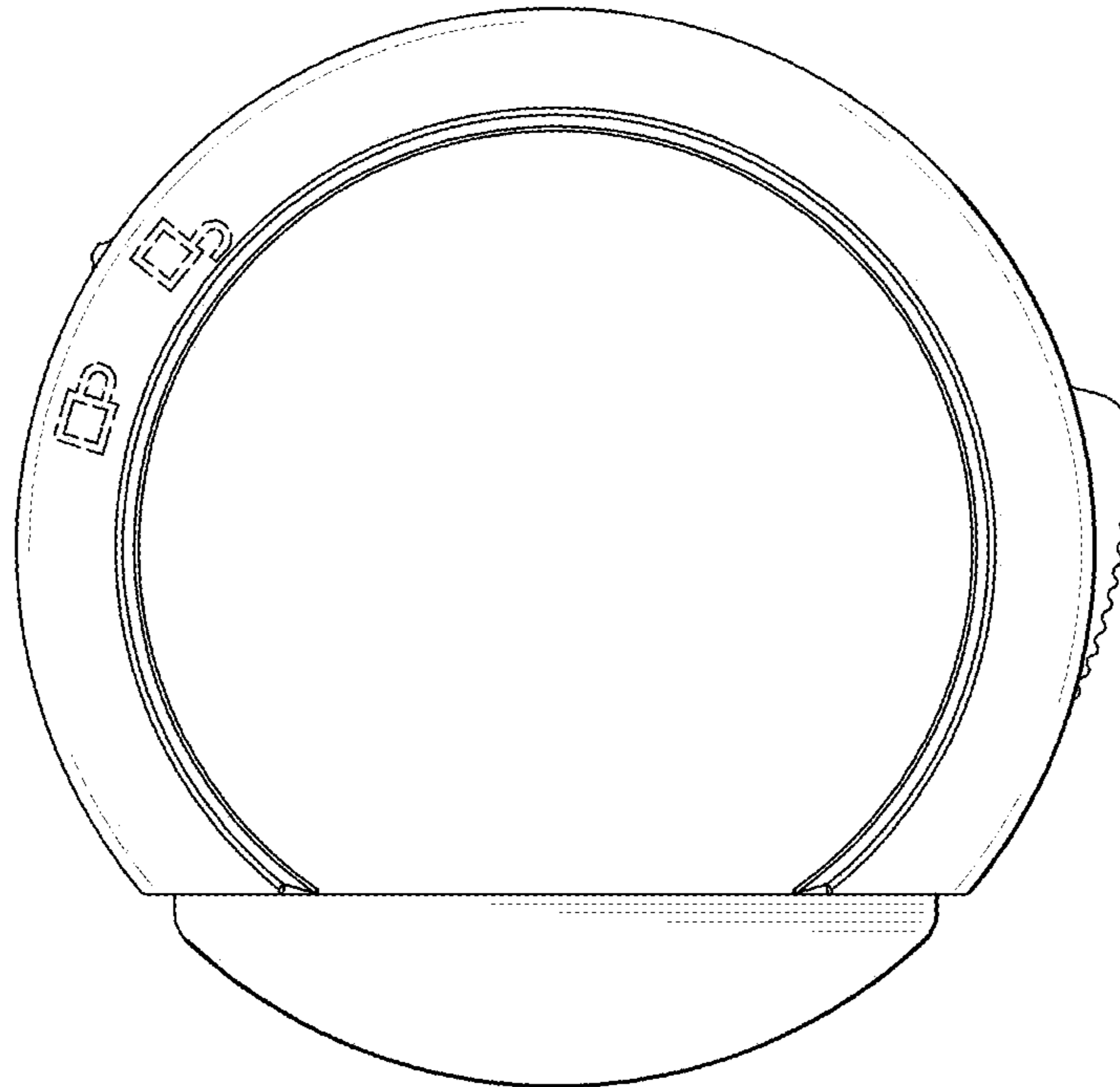


FIG. 3

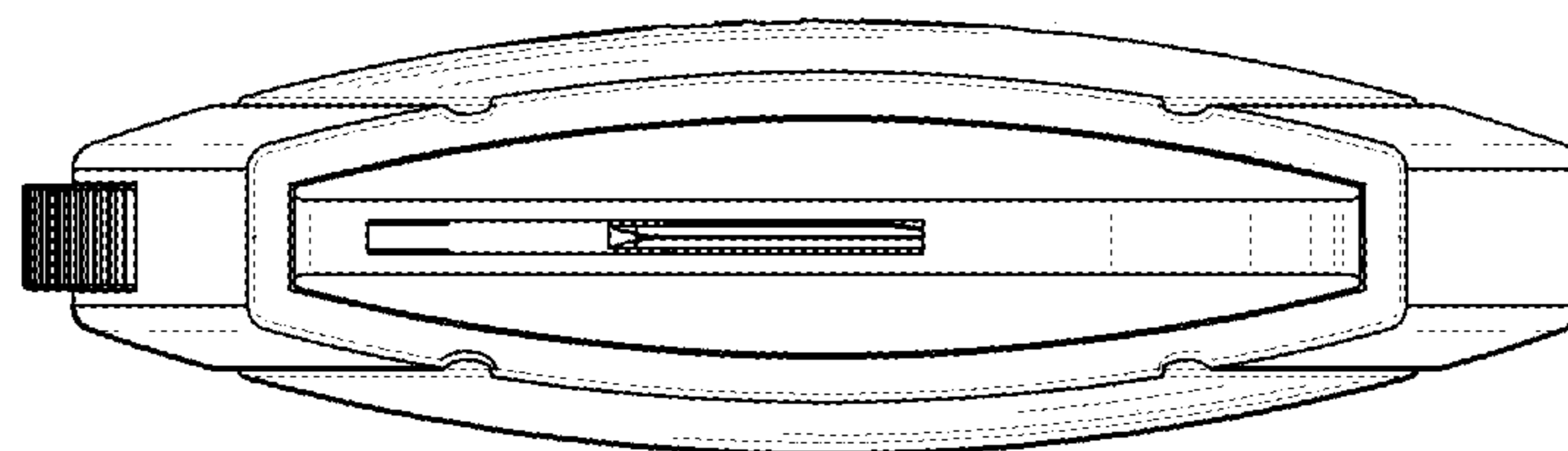


FIG. 4

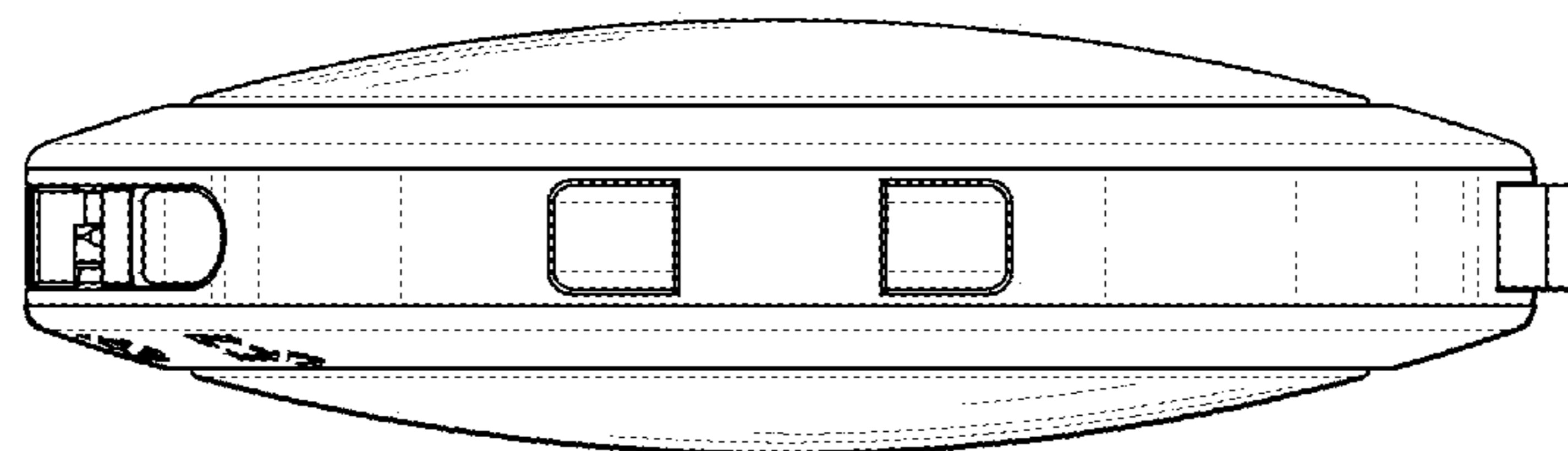


FIG. 5

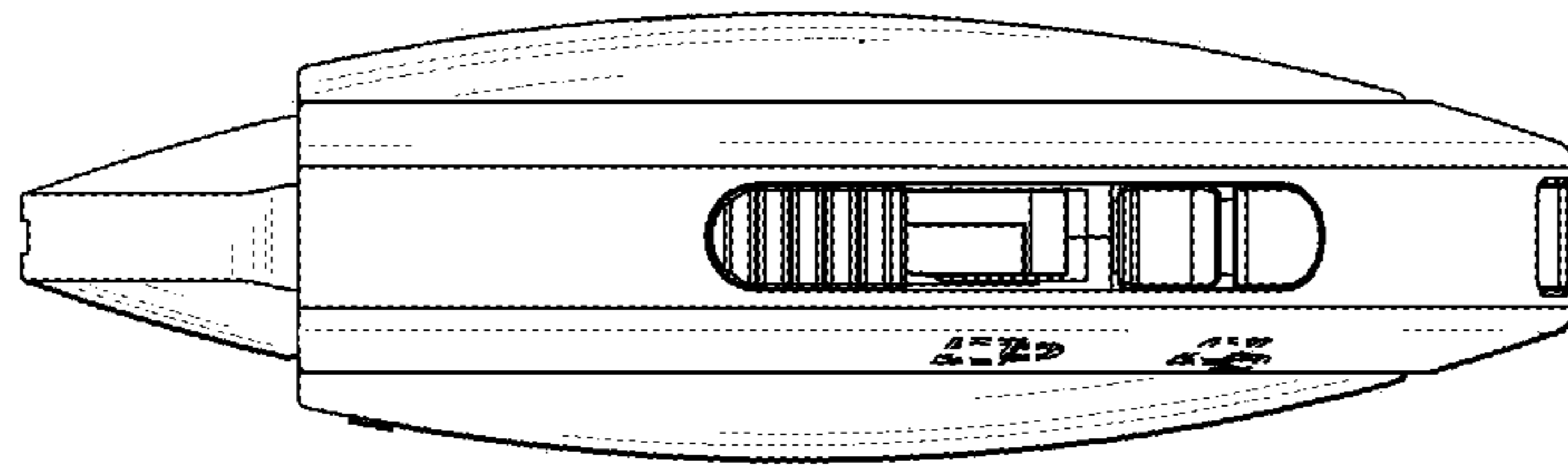


FIG. 6

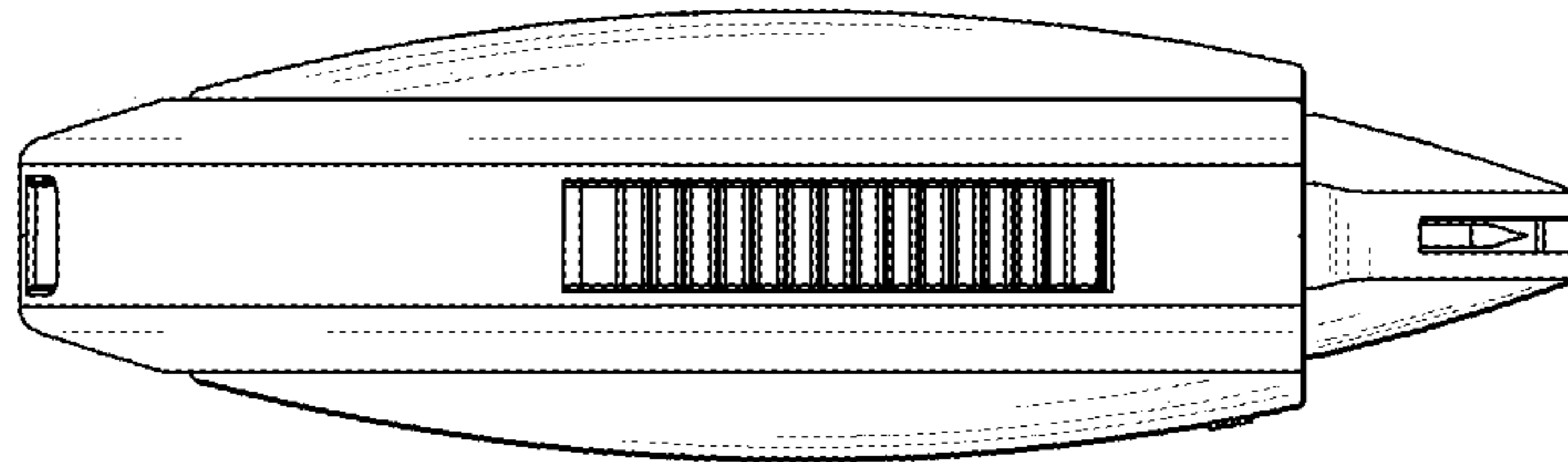


FIG. 7

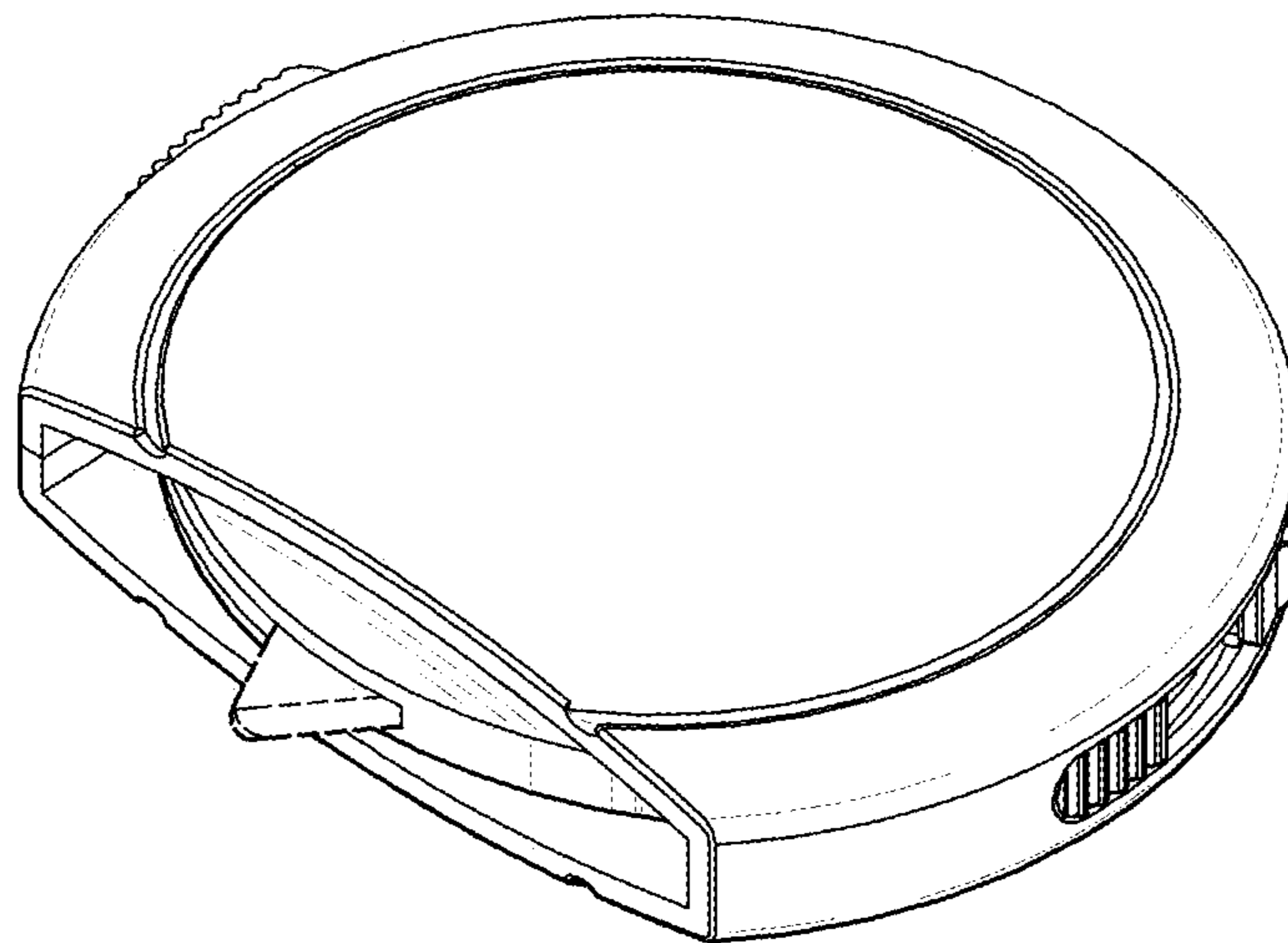


FIG. 8

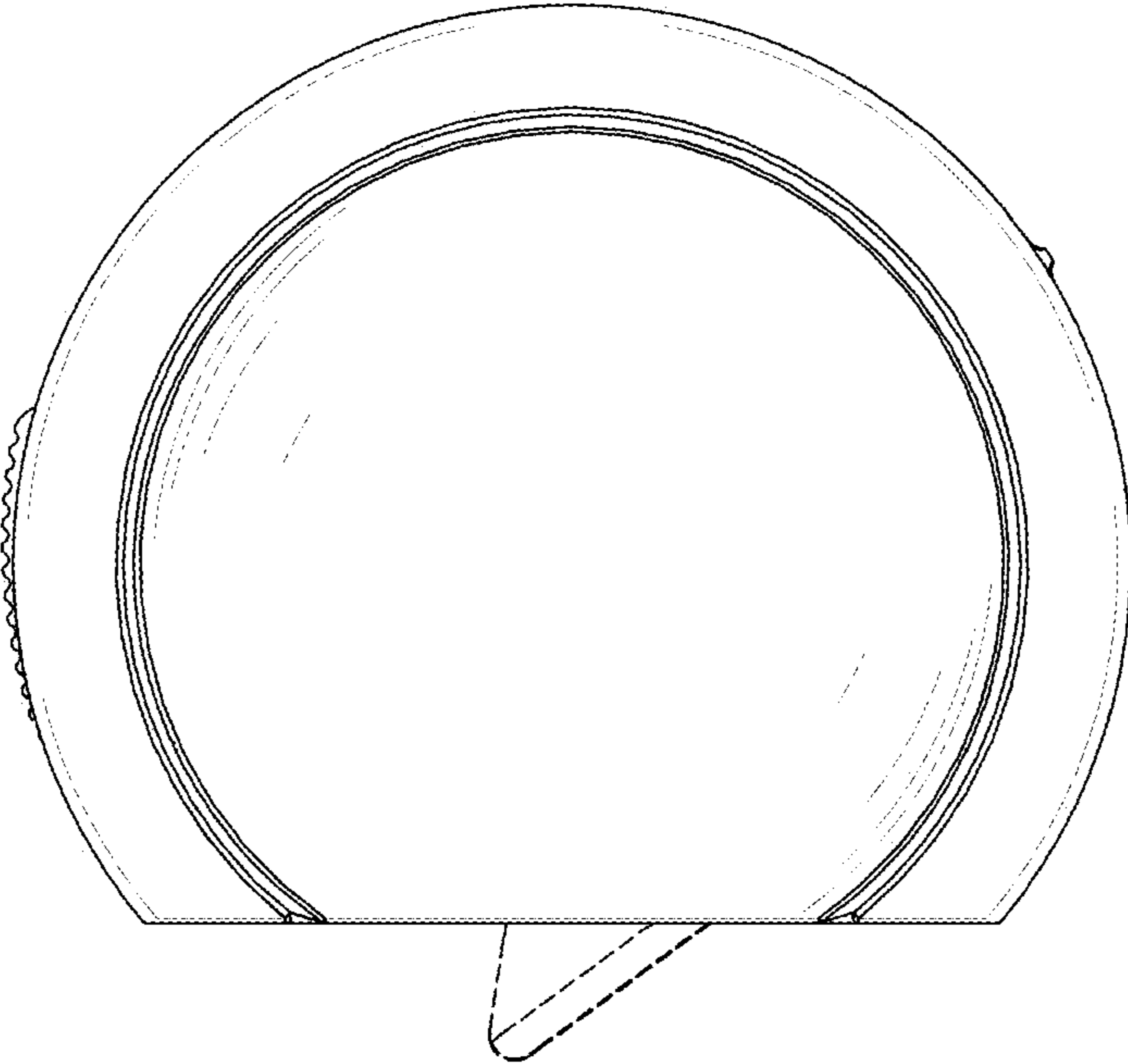


FIG. 9

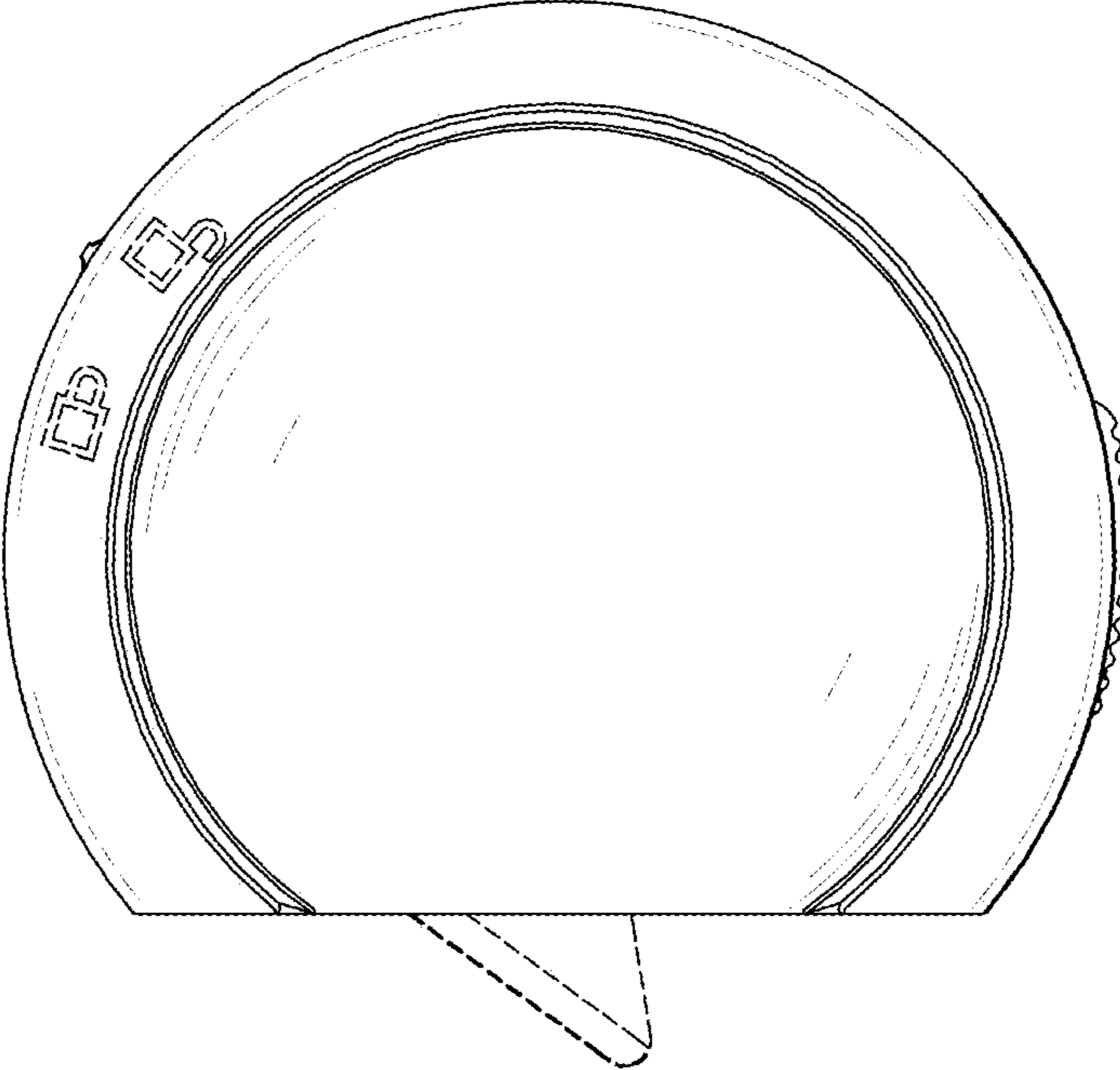


FIG. 10

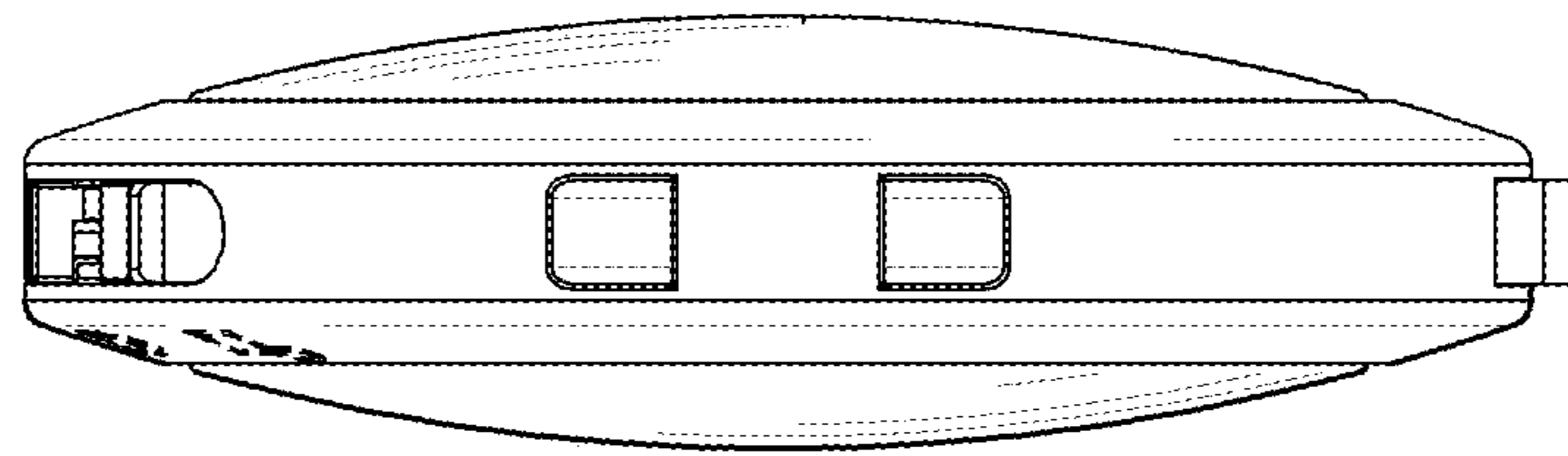


FIG. 11

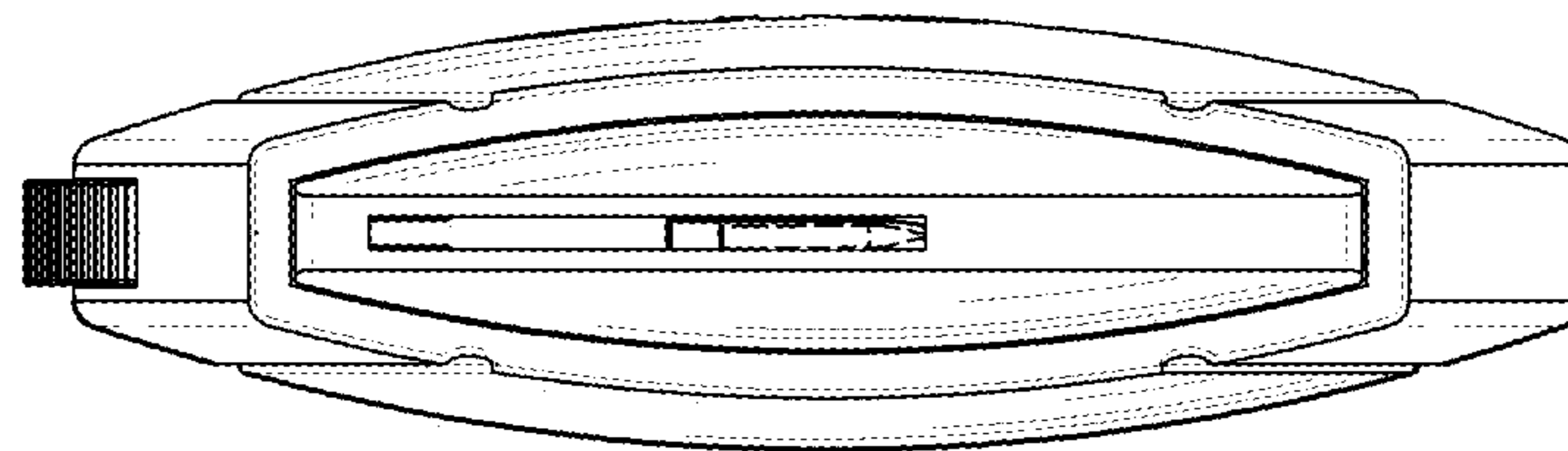


FIG. 12

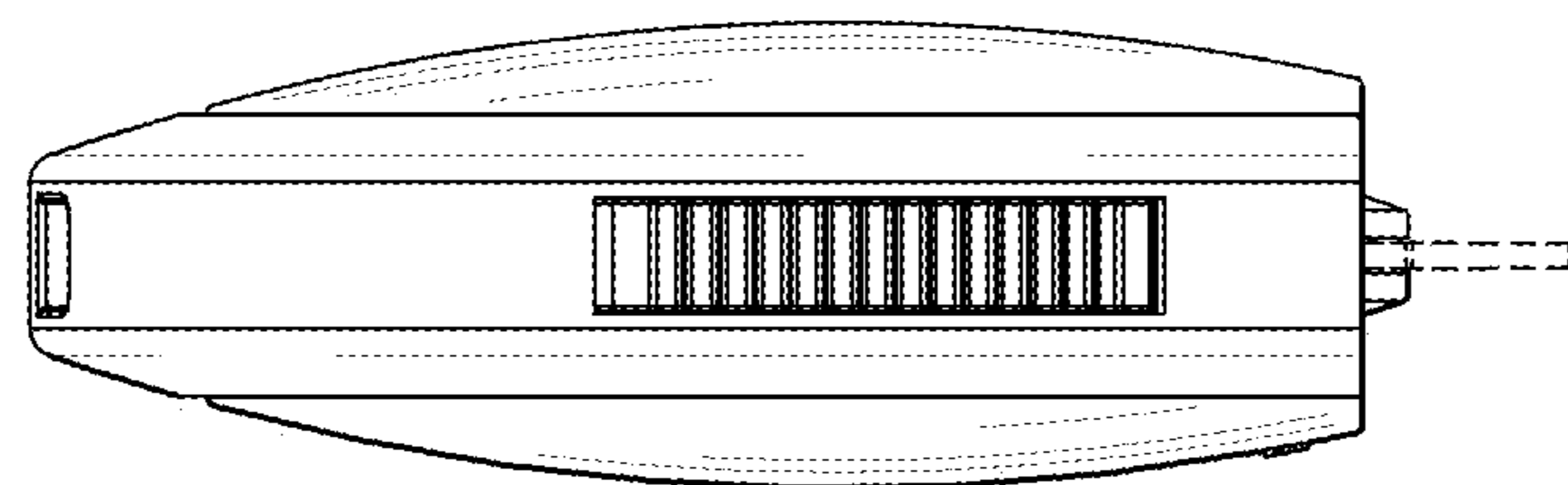


FIG. 13

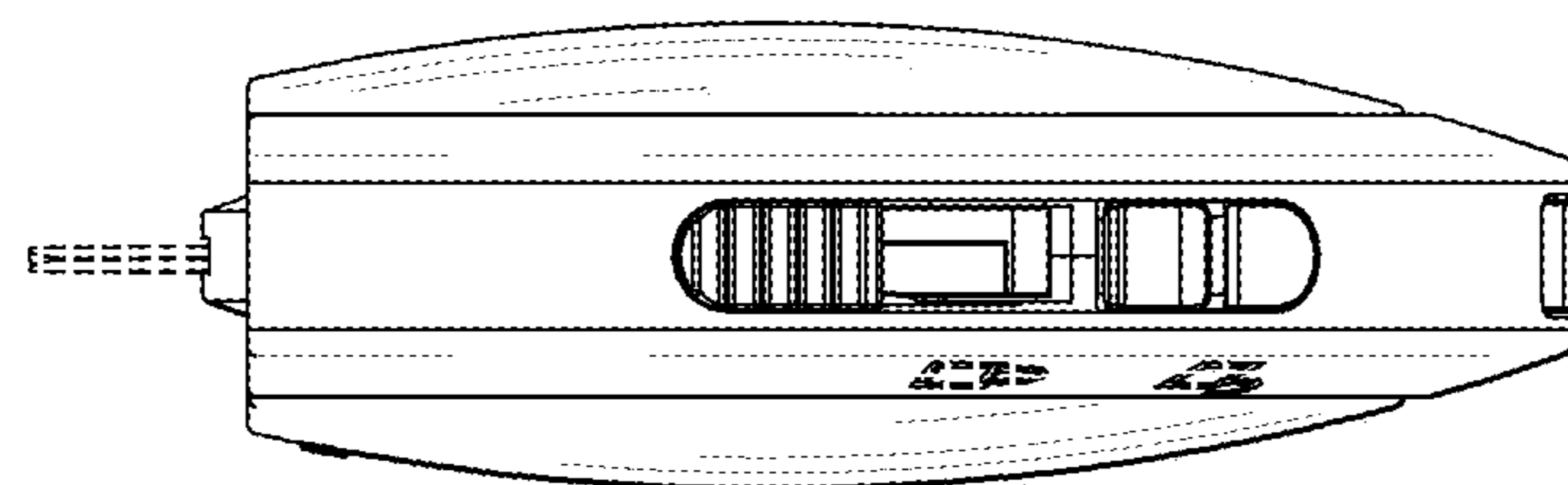


FIG. 14