



US00D953834S

(12) **United States Design Patent** (10) **Patent No.:** **US D953,834 S**  
**Bandis et al.** (45) **Date of Patent:** **\*\* Jun. 7, 2022**

(54) **TOOL HOLDER ACCESSORY**  
(71) Applicant: **Cricut, Inc.**, South Jordan, UT (US)  
(72) Inventors: **Steven Bandis**, West Jordan, UT (US);  
**Jeremy Burton Crystal**, Springville,  
UT (US)  
(73) Assignee: **Cricut, Inc.**, South Jordan, UT (US)  
(\*\*) Term: **15 Years**  
(21) Appl. No.: **29/689,742**  
(22) Filed: **May 1, 2019**

D565,917 S \* 4/2008 Peterson ..... D8/98  
D592,482 S \* 5/2009 Gregory ..... D8/107  
D618,715 S \* 6/2010 Corcoran ..... D15/140  
D635,429 S \* 4/2011 Hakki ..... D8/70  
D669,988 S \* 10/2012 Packard ..... D24/147  
D697,769 S \* 1/2014 Lion ..... D7/694  
D741,134 S \* 10/2015 Massey ..... D8/70  
D877,214 S \* 3/2020 Crisp ..... D15/127  
D887,246 S \* 6/2020 Chang ..... D8/107  
D902,998 S \* 11/2020 Wolter ..... D19/202  
D902,999 S \* 11/2020 Wolter ..... D19/202  
2003/0222053 A1 \* 12/2003 Tsai ..... B23H 7/26  
219/69.15  
2003/0228199 A1 \* 12/2003 Matsumoto ..... B23Q 11/0035  
409/141  
2006/0029479 A1 \* 2/2006 Stoll ..... B23B 31/1179  
409/136  
2011/0280999 A1 11/2011 Crystal et al.  
(Continued)

**Related U.S. Application Data**

(63) Continuation of application No.  
PCT/US2018/044371, filed on Jul. 30, 2018.  
(51) **LOC (13) Cl.** ..... **08-05**  
(52) **U.S. Cl.**  
USPC ..... **D8/71**  
(58) **Field of Classification Search**  
USPC ..... D15/140; D8/71, 14, 107, 98, 72, 74,  
D8/105, 106  
CPC ..... B25B 23/0028; B25F 1/04; B23B  
2231/2027; B23B 47/287; B23B 2247/10;  
B23B 2260/088; B23B 49/02; B23B  
49/023; B23C 2250/04; B23C 5/26;  
B25H 3/003; B25H 3/06  
See application file for complete search history.

*Primary Examiner* — Janice Hallmark  
*Assistant Examiner* — Elizabeth S Ko  
(74) *Attorney, Agent, or Firm* — Honigman LLP

(57) **CLAIM**

The ornamental design for a tool holder accessory, as shown and described.

**DESCRIPTION**

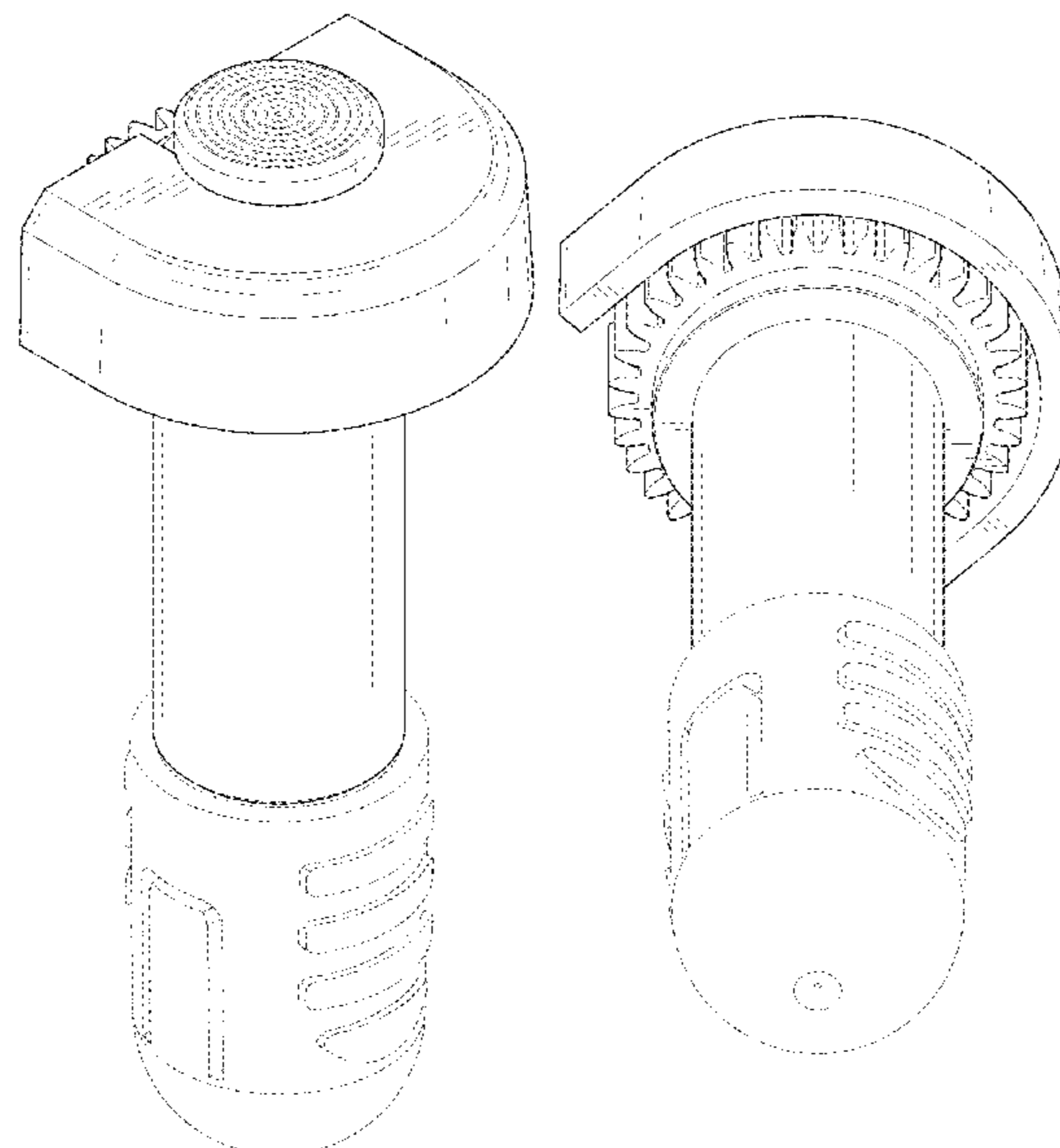
FIG. 1 is a front, right, top isometric view of a tool holder accessory.  
FIG. 2 is a front, right, bottom isometric view thereof.  
FIG. 3 is a front elevational view thereof.  
FIG. 4 is a rear elevational view thereof.  
FIG. 5 is a left side elevational view thereof.  
FIG. 6 is a right side elevational view thereof.  
FIG. 7 is a top view thereof; and,  
FIG. 8 is a bottom view thereof.  
All broken lines shown herein are representative of an environment and are for illustrative purposes only; the broken lines form no part of the claimed design.

(56) **References Cited**

U.S. PATENT DOCUMENTS

D278,245 S \* 4/1985 Smith ..... D15/140  
D278,344 S \* 4/1985 Smith ..... D15/140  
D344,005 S \* 2/1994 Arai ..... D8/98  
D383,962 S \* 9/1997 Daley ..... D19/163  
D484,977 S \* 1/2004 Ryan ..... D24/133  
D514,420 S \* 2/2006 Xu ..... D8/107

**1 Claim, 7 Drawing Sheets**



(56)

**References Cited**

U.S. PATENT DOCUMENTS

2016/0167188 A1\* 6/2016 Davis ..... B24B 3/247  
451/48  
2016/0229084 A1\* 8/2016 Lehnert ..... B28D 1/186  
2019/0061025 A1\* 2/2019 Trecapelli ..... B23C 5/26  
2019/0389240 A1\* 12/2019 Fourie ..... B44B 7/00  
2020/0391335 A1\* 12/2020 Zoller ..... B23Q 17/0919  
2021/0016366 A1\* 1/2021 Daunert Armillas ... B23B 31/06  
2021/0023691 A1\* 1/2021 Korbuly ..... B25G 3/12

\* cited by examiner

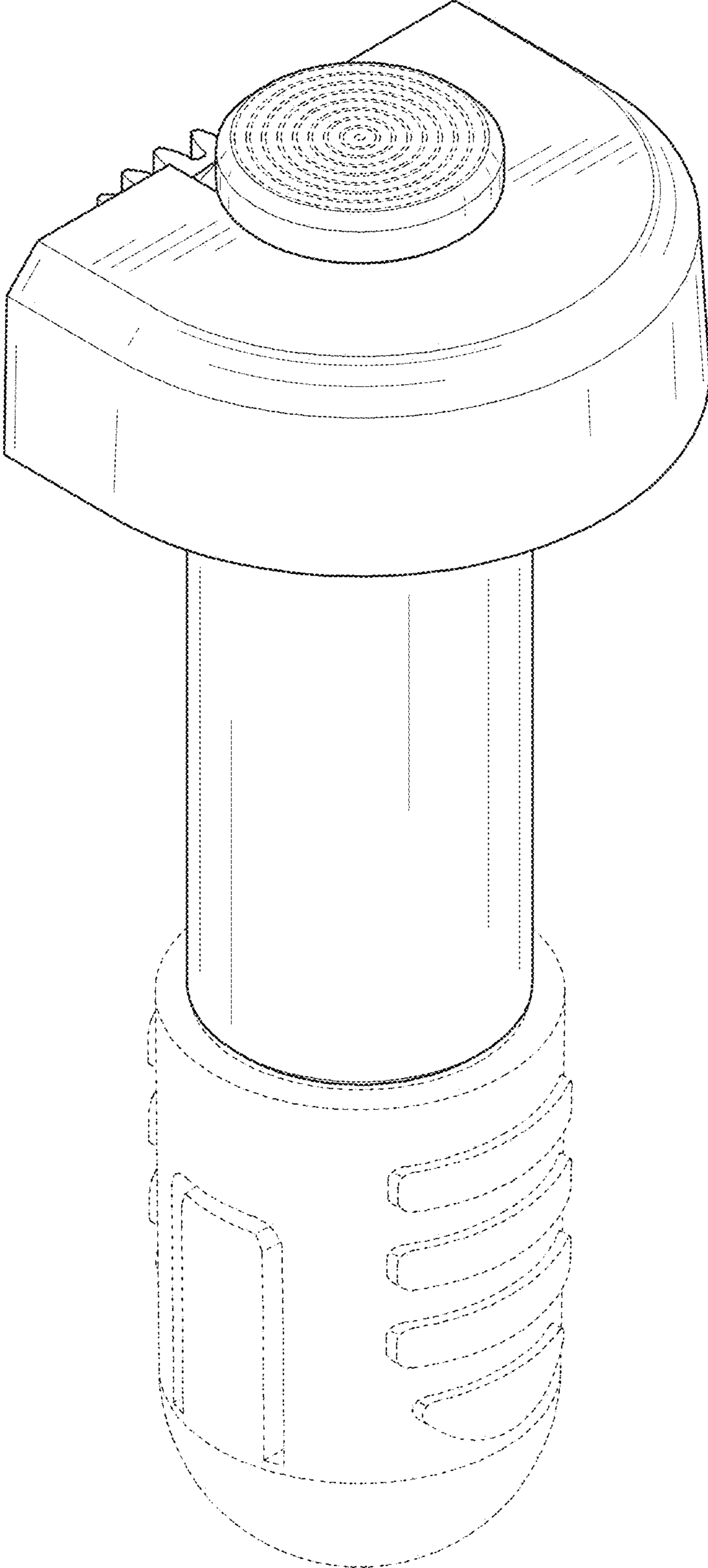


FIG. 1

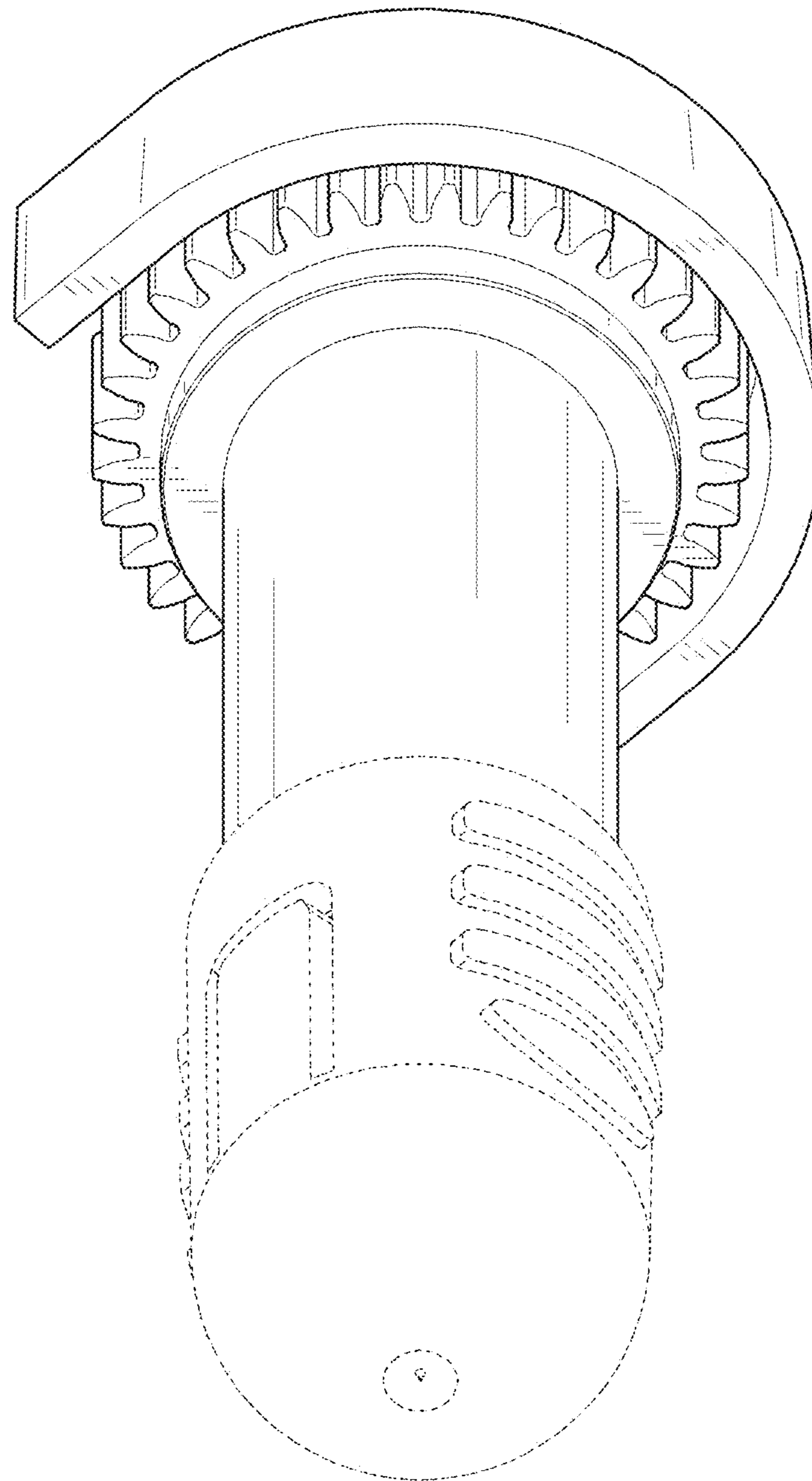


FIG. 2

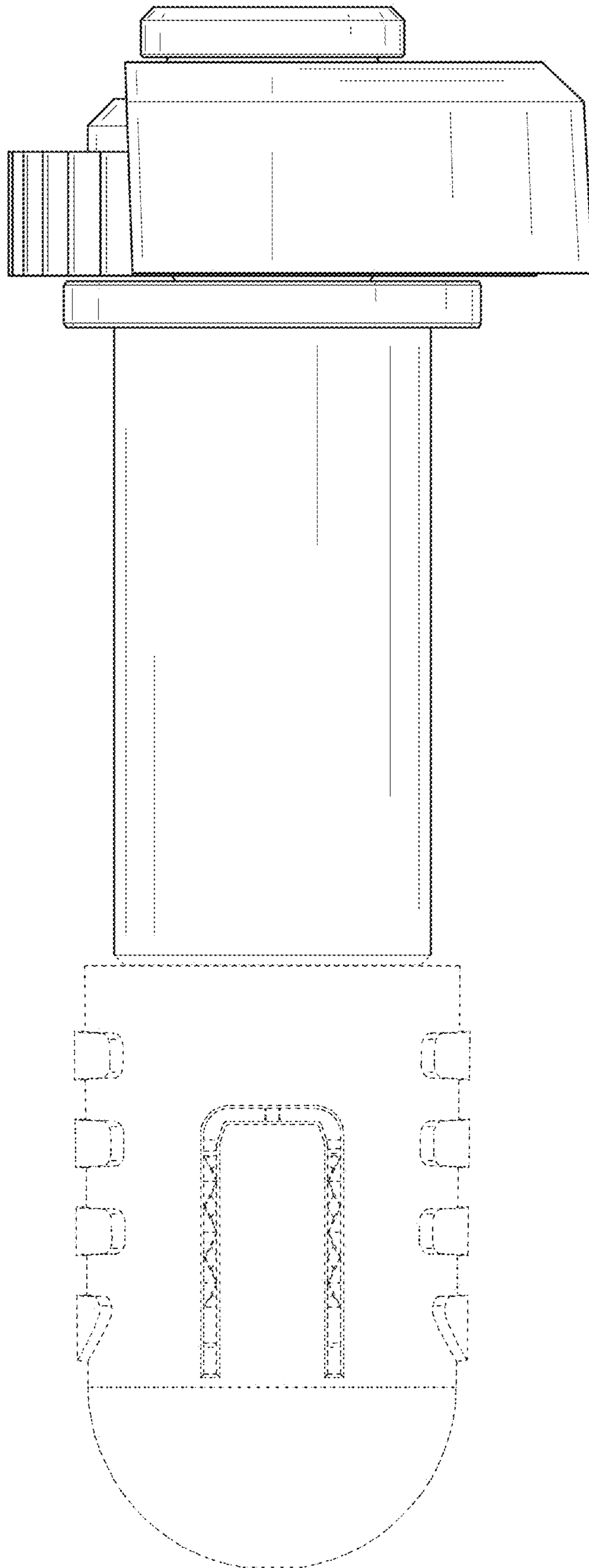


FIG. 3



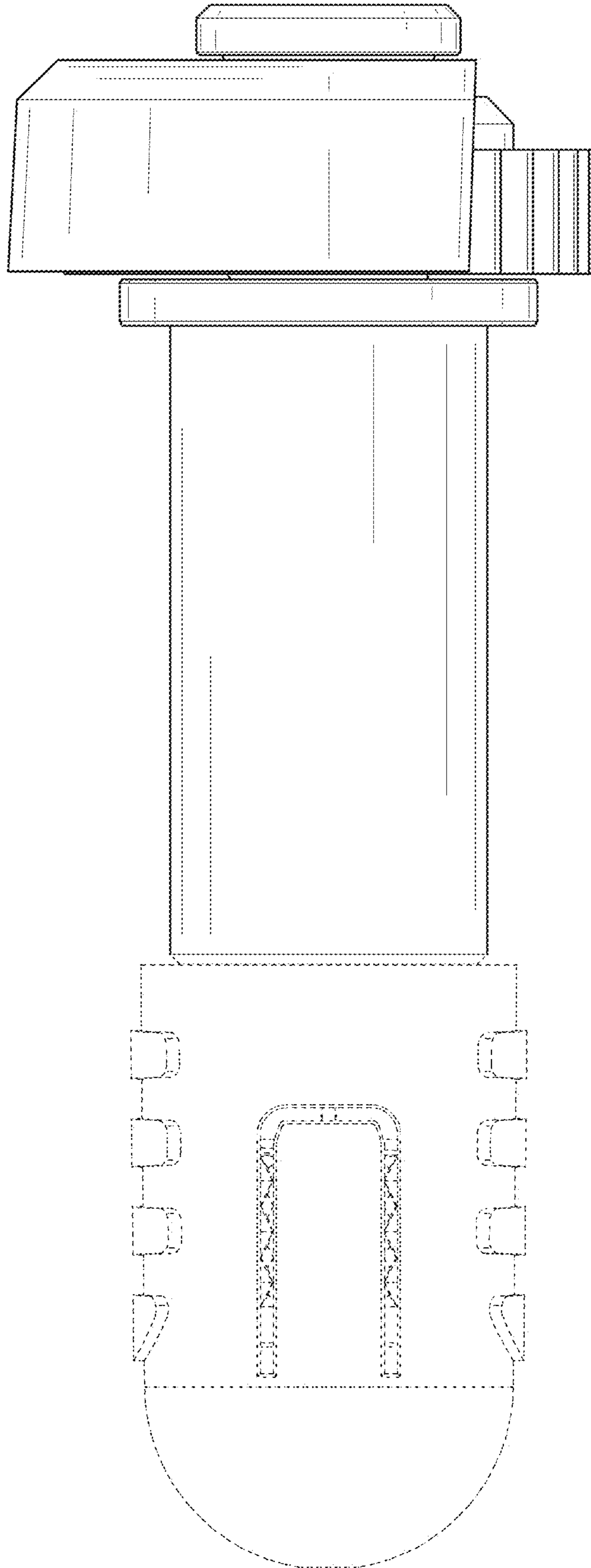


FIG. 4

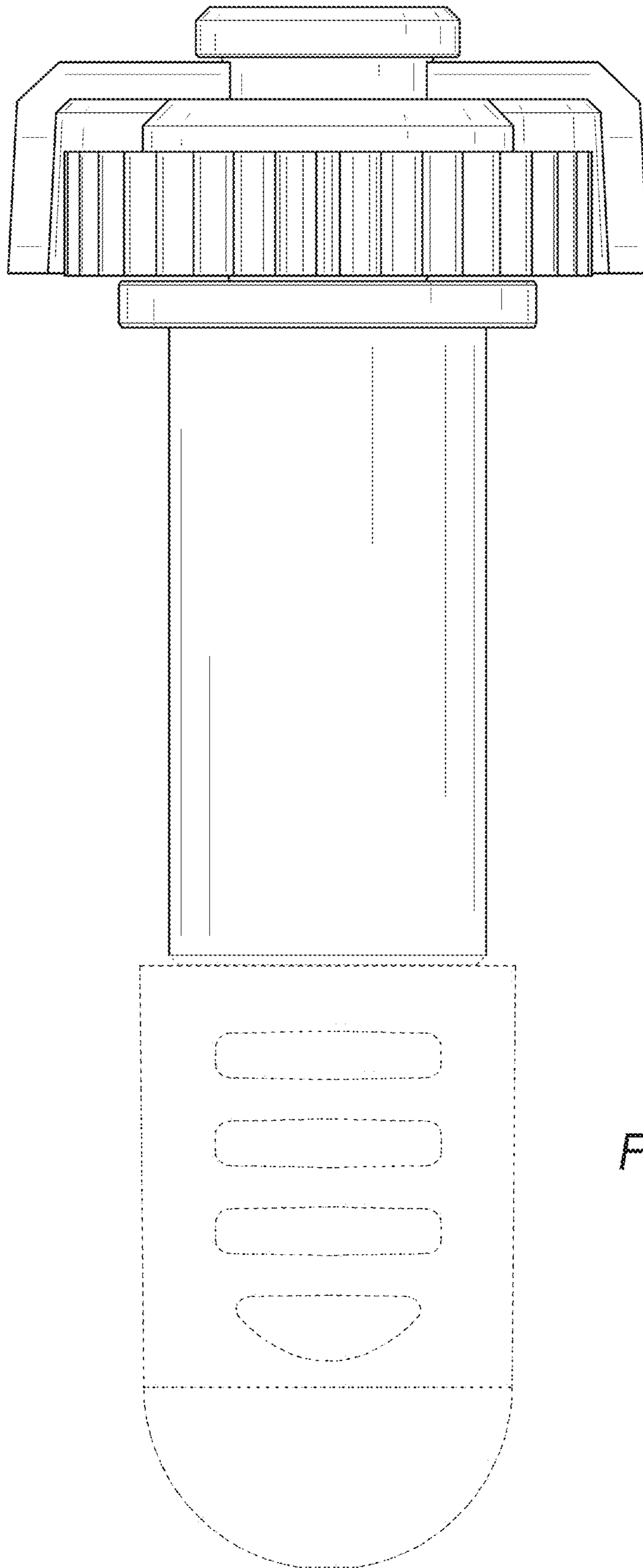


FIG. 5

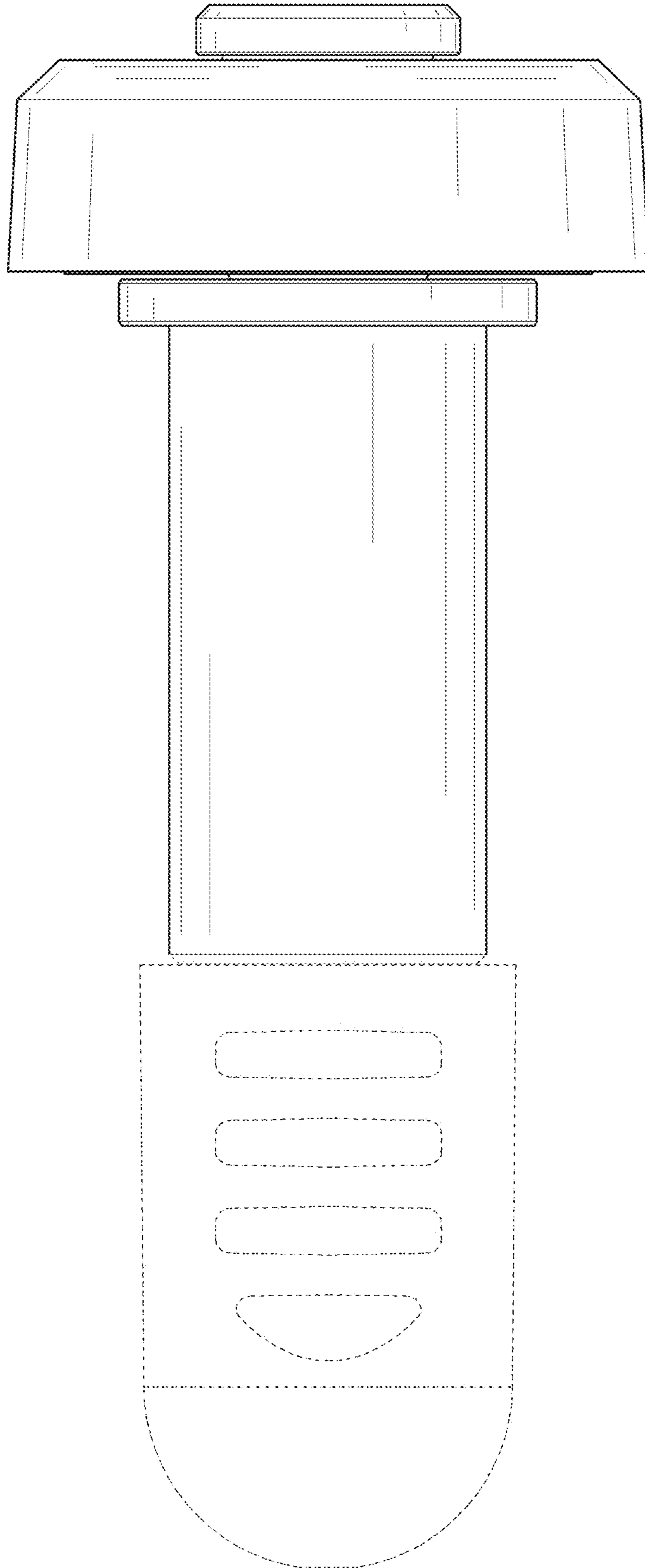


FIG. 6



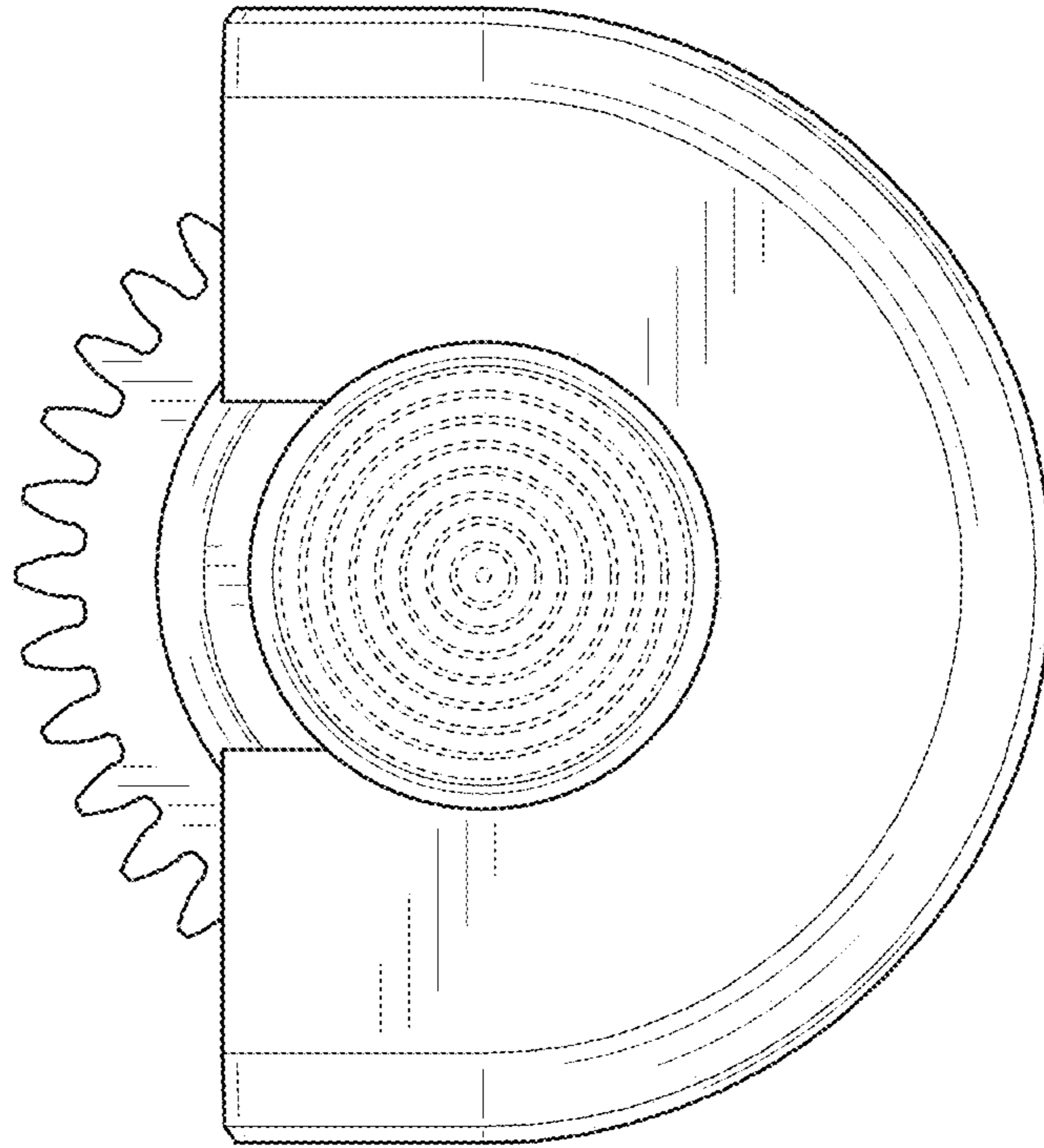


FIG. 7

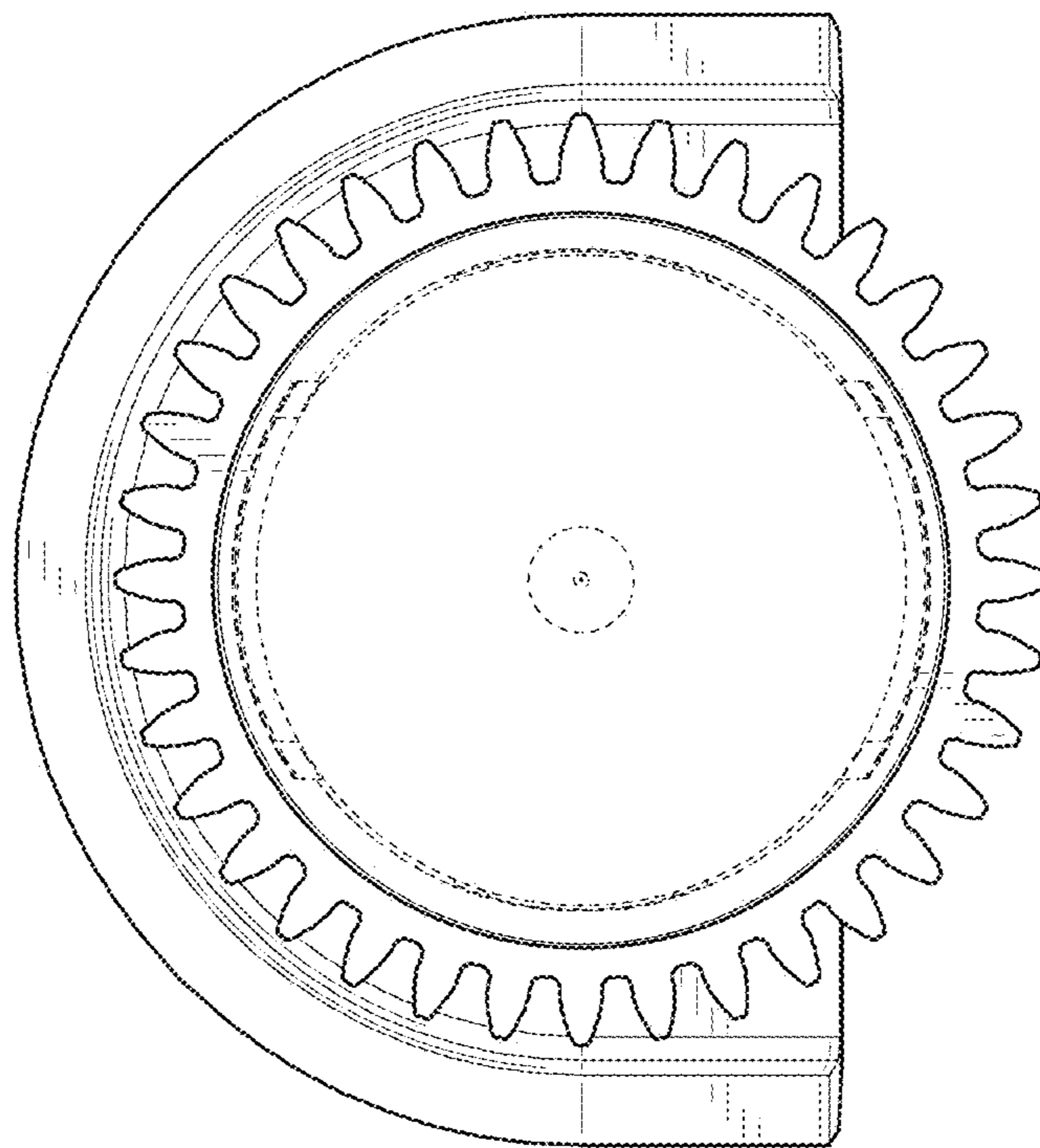


FIG. 8