



US00D953833S

(12) **United States Design Patent**
Heath

(10) **Patent No.:** **US D953,833 S**
(45) **Date of Patent:** **** Jun. 7, 2022**

(54) **OSCILLATING MULTI TOOL ANCHOR**

(71) Applicant: **MILWAUKEE ELECTRIC TOOL CORPORATION**, Brookfield, WI (US)

(72) Inventor: **Peter R. Heath**, Sussex, WI (US)

(73) Assignee: **MILWAUKEE ELECTRIC TOOL CORPORATION**, Brookfield, WI (US)

(**) Term: **15 Years**

(21) Appl. No.: **29/702,816**

(22) Filed: **Aug. 22, 2019**

(51) **LOC (13) Cl.** **08-05**

(52) **U.S. Cl.**
USPC **D8/70; D8/20**

(58) **Field of Classification Search**
USPC **D8/70, 20, 382, 105, 26, 55, 80, 81, 104, D8/107, 14**

(Continued)

(56) **References Cited**

U.S. PATENT DOCUMENTS

3,232,151 A 2/1966 Blachowski
5,287,659 A 2/1994 Timmons et al.

(Continued)

FOREIGN PATENT DOCUMENTS

CN 201728642 U 2/2011
CN 202045628 U 11/2011

(Continued)

Primary Examiner — Janice Hallmark

(74) *Attorney, Agent, or Firm* — Michael Best & Friedrich LLP

(57) **CLAIM**

I claim the ornamental design for an oscillating multi tool anchor, as shown and described.

DESCRIPTION

FIG. 1 is a perspective view of an oscillating multi tool anchor.

FIG. 2 is a top view of the oscillating multi tool anchor of FIG. 1.

FIG. 3 is a bottom view of the oscillating multi tool anchor of FIG. 1.

FIG. 4 is a first side view of the oscillating multi tool anchor of FIG. 1.

FIG. 5 is a second side view of the oscillating multi tool anchor of FIG. 1.

FIG. 6 is a front view of the oscillating multi tool anchor of FIG. 1.

FIG. 7 is a rear view of the oscillating multi tool anchor of FIG. 1.

FIG. 8 is a perspective view of another oscillating multi tool anchor.

FIG. 9 is a top view of the oscillating multi tool anchor of FIG. 8.

FIG. 10 is a bottom view of the oscillating multi tool anchor of FIG. 8.

FIG. 11 is a first side view of the oscillating multi tool anchor of FIG. 8.

FIG. 12 is a second side view of the oscillating multi tool anchor of FIG. 8.

FIG. 13 is a front view of the oscillating multi tool anchor of FIG. 8.

FIG. 14 is a rear view of the oscillating multi tool anchor of FIG. 8.

FIG. 15 is a perspective view of another oscillating multi tool anchor.

FIG. 16 is a top view of the oscillating multi tool anchor of FIG. 15.

FIG. 17 is a bottom view of the oscillating multi tool anchor of FIG. 15.

FIG. 18 is a first side view of the oscillating multi tool anchor of FIG. 15.

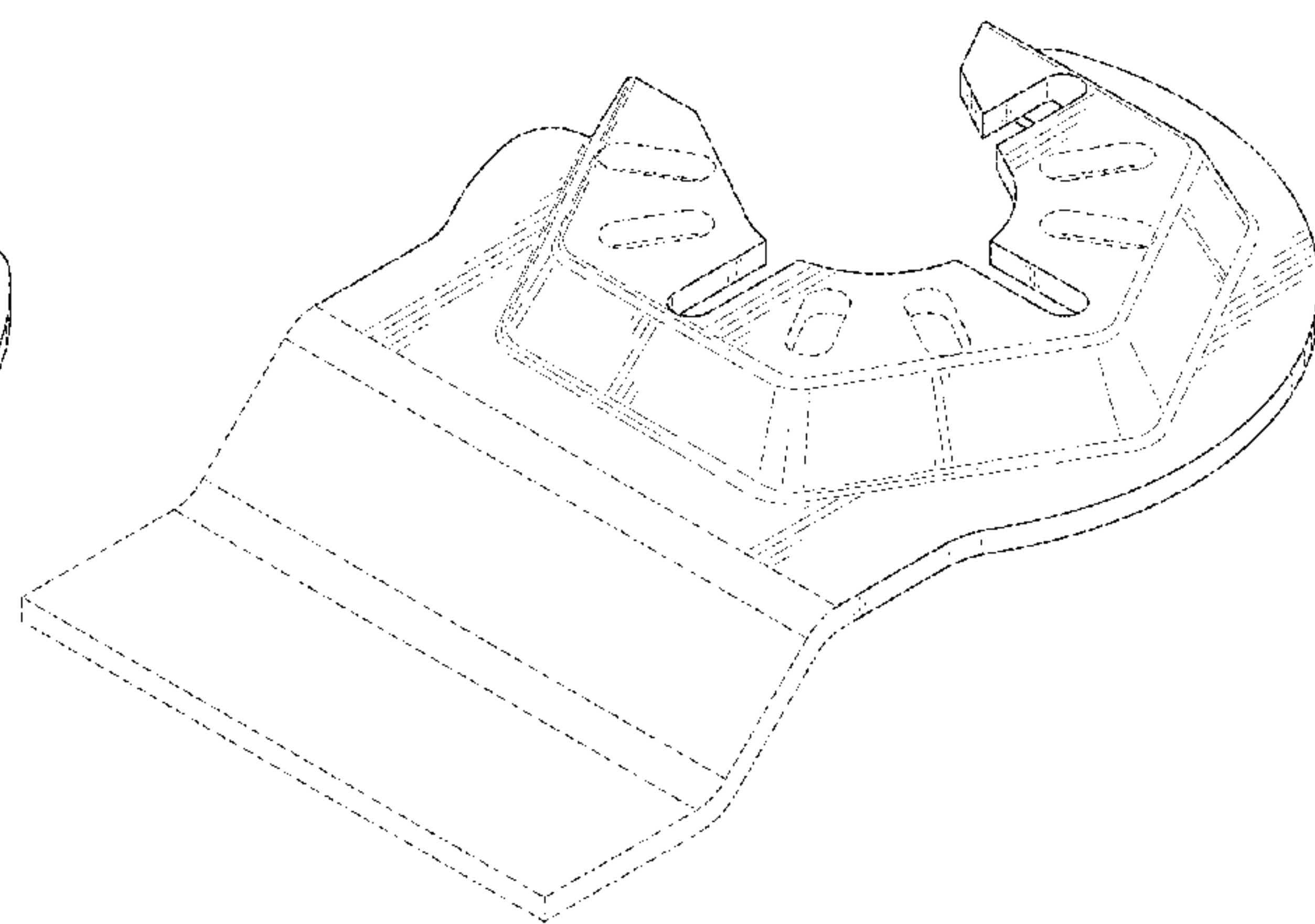
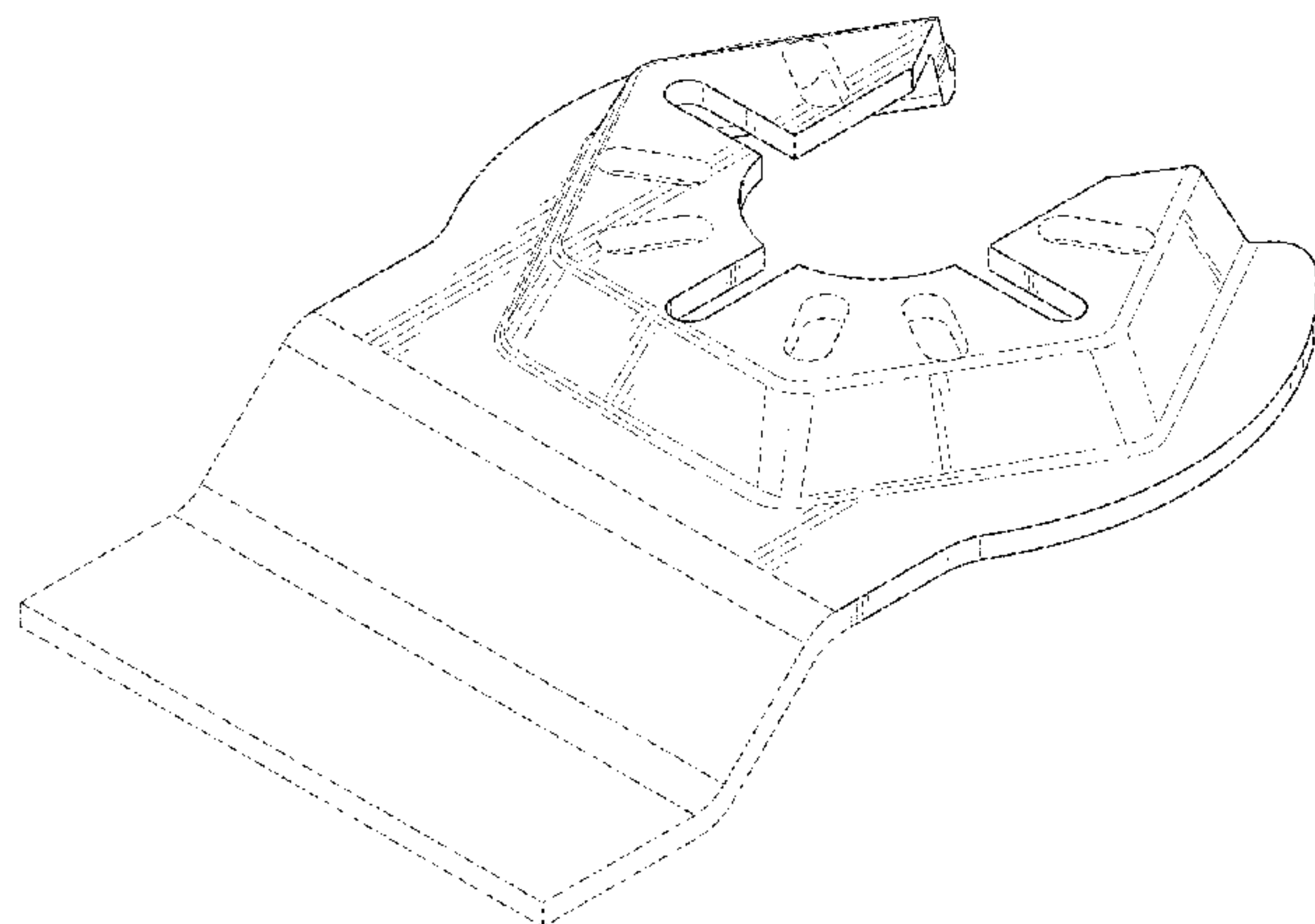
FIG. 19 is a second side view of the oscillating multi tool anchor of FIG. 15.

FIG. 20 is a front view of the oscillating multi tool anchor of FIG. 15; and,

FIG. 21 is a rear view of the oscillating multi tool anchor of FIG. 15.

Portions of the oscillating multi tool anchor shown in broken lines are for illustrative purposes only and form no part of the claimed design.

1 Claim, 15 Drawing Sheets



- (58) **Field of Classification Search**
 CPC ... B25F 1/02; B25F 1/006; B08B 1/00; B08B
 1/0001; B08B 7/04
 See application file for complete search history.

(56) **References Cited**

U.S. PATENT DOCUMENTS

| | | | | |
|------------|-----|---------|------------------|--------|
| 5,496,316 | A | 3/1996 | Goris | |
| D489,823 | S | 5/2004 | Fisher et al. | |
| D651,874 | S * | 1/2012 | Davidian | D8/20 |
| D651,875 | S * | 1/2012 | Davidian | D8/20 |
| D651,877 | S * | 1/2012 | Davidian | D8/20 |
| D682,652 | S | 5/2013 | McRoberts et al. | |
| 8,499,674 | B2 | 8/2013 | Holba et al. | |
| D693,193 | S * | 11/2013 | Bozic | D8/20 |
| D694,076 | S | 11/2013 | Davidian et al. | |
| D694,077 | S * | 11/2013 | Bozic | D8/20 |
| D694,596 | S | 12/2013 | Davidian et al. | |
| D694,597 | S | 12/2013 | Davidian et al. | |
| D694,598 | S | 12/2013 | Davidian et al. | |
| D694,599 | S | 12/2013 | Davidian et al. | |
| D697,384 | S * | 1/2014 | Wackwitz | D8/70 |
| D697,777 | S * | 1/2014 | Bozic | D8/70 |
| D706,595 | S | 6/2014 | Kaye, Jr. et al. | |
| D713,231 | S * | 9/2014 | Boozic | D8/70 |
| 8,915,499 | B2 | 12/2014 | Kaye, Jr. et al. | |
| 8,950,576 | B2 | 2/2015 | Andreu | |
| D724,923 | S | 3/2015 | McRoberts et al. | |
| 9,067,293 | B2 | 6/2015 | Bernardi et al. | |
| D734,649 | S * | 7/2015 | Wackwitz | D8/70 |
| D741,135 | S | 10/2015 | Yang et al. | |
| D741,136 | S | 10/2015 | Yang et al. | |
| D741,137 | S | 10/2015 | Yang et al. | |
| D744,800 | S * | 12/2015 | Cooksey | D8/70 |
| D746,655 | S * | 1/2016 | Wackwitz | D8/70 |
| 9,242,361 | B2 | 1/2016 | Kaye, Jr. et al. | |
| D750,461 | S | 3/2016 | McRoberts et al. | |
| 9,414,845 | B2 | 8/2016 | Boykin | |
| 9,737,969 | B2 | 8/2017 | Bek et al. | |
| D809,355 | S * | 2/2018 | Butscher | D8/20 |
| D809,356 | S * | 2/2018 | Butscher | D8/20 |
| D814,900 | S * | 4/2018 | Kaye, Jr. | D8/70 |
| D817,128 | S * | 5/2018 | Gopi | D8/20 |
| D817,139 | S * | 5/2018 | Fellmann | D8/70 |
| 10,016,904 | B2 | 7/2018 | Jones | |
| D825,306 | S * | 8/2018 | Stinson | D8/70 |
| D825,311 | S * | 8/2018 | Xu | D8/105 |
| 10,040,186 | B2 | 8/2018 | Kaye, Jr. et al. | |
| 10,065,248 | B2 | 9/2018 | Klabunde et al. | |
| 10,076,832 | B2 | 9/2018 | Nagy | |
| D832,666 | S | 11/2018 | Kaye, Jr. et al. | |
| 10,124,461 | B2 | 11/2018 | Keuhne et al. | |

| | | | | |
|--------------|------|---------|------------------|-----------------------|
| 10,265,778 | B2 * | 4/2019 | Kaye, Jr. | B23B 31/10 |
| D853,817 | S * | 7/2019 | Ji | D8/70 |
| D856,766 | S * | 8/2019 | Kaye, Jr. | D8/20 |
| D862,185 | S * | 10/2019 | Dai | D8/20 |
| D871,185 | S * | 12/2019 | Kaye, Jr. | D8/70 |
| D873,099 | S * | 1/2020 | Kaye, Jr. | D8/20 |
| D904,144 | S * | 12/2020 | Butscher | D8/20 |
| D904,145 | S * | 12/2020 | Butscher | D8/20 |
| 2012/0170976 | A1 | 7/2012 | Cai | |
| 2014/0252729 | A1 | 9/2014 | Xu | |
| 2014/0299345 | A1 | 10/2014 | McRoberts et al. | |
| 2016/0082605 | A1 * | 3/2016 | Marks | B27B 19/008 30/355 |
| 2016/0257010 | A1 * | 9/2016 | Jones | B23D 51/10 |
| 2017/0182570 | A1 * | 6/2017 | Dvorak | B27B 19/006 |
| 2018/0200812 | A1 | 7/2018 | Kaye, Jr. et al. | |
| 2019/0054552 | A1 * | 2/2019 | Churchill | B23D 61/006 |
| 2021/0114125 | A1 * | 4/2021 | Heath | B23D 61/006 |

FOREIGN PATENT DOCUMENTS

| | | | |
|----|---------------|----|---------|
| CN | 202318259 | U | 7/2012 |
| CN | 102689292 | A | 9/2012 |
| CN | 202622741 | U | 12/2012 |
| CN | 202668513 | U | 1/2013 |
| CN | 103121206 | A | 5/2013 |
| CN | 103370169 | A | 10/2013 |
| CN | 204209649 | U | 3/2015 |
| CN | 204431209 | U | 7/2015 |
| CN | 105215949 | A | 1/2016 |
| CN | 105382770 | A | 3/2016 |
| CN | 205218195 | U | 5/2016 |
| CN | 205219042 | U | 5/2016 |
| DE | 2120669 | A1 | 1/1972 |
| DE | 3119583 | A1 | 12/1982 |
| DE | 9114236 | U1 | 2/1992 |
| DE | 102012203754 | A1 | 9/2013 |
| DE | 112011104344 | T5 | 11/2013 |
| DE | 202014102532 | U1 | 6/2014 |
| DE | 202016102955 | U1 | 6/2016 |
| EP | 0596831 | A1 | 5/1994 |
| EP | 2497616 | A1 | 9/2012 |
| EP | 3023185 | A2 | 5/2016 |
| EP | 3135439 | A1 | 3/2017 |
| GB | 138552 | A | 2/1920 |
| WO | 2006125242 | A1 | 11/2006 |
| WO | 2011141204 | A1 | 11/2011 |
| WO | WO 2012075967 | A1 | 6/2012 |
| WO | WO 13067960 | A1 | 5/2013 |
| WO | WO 13077862 | A1 | 5/2013 |
| WO | WO 14159025 | A1 | 10/2014 |
| WO | WO 15101351 | A1 | 7/2015 |
| WO | WO 17219570 | A1 | 12/2017 |

* cited by examiner

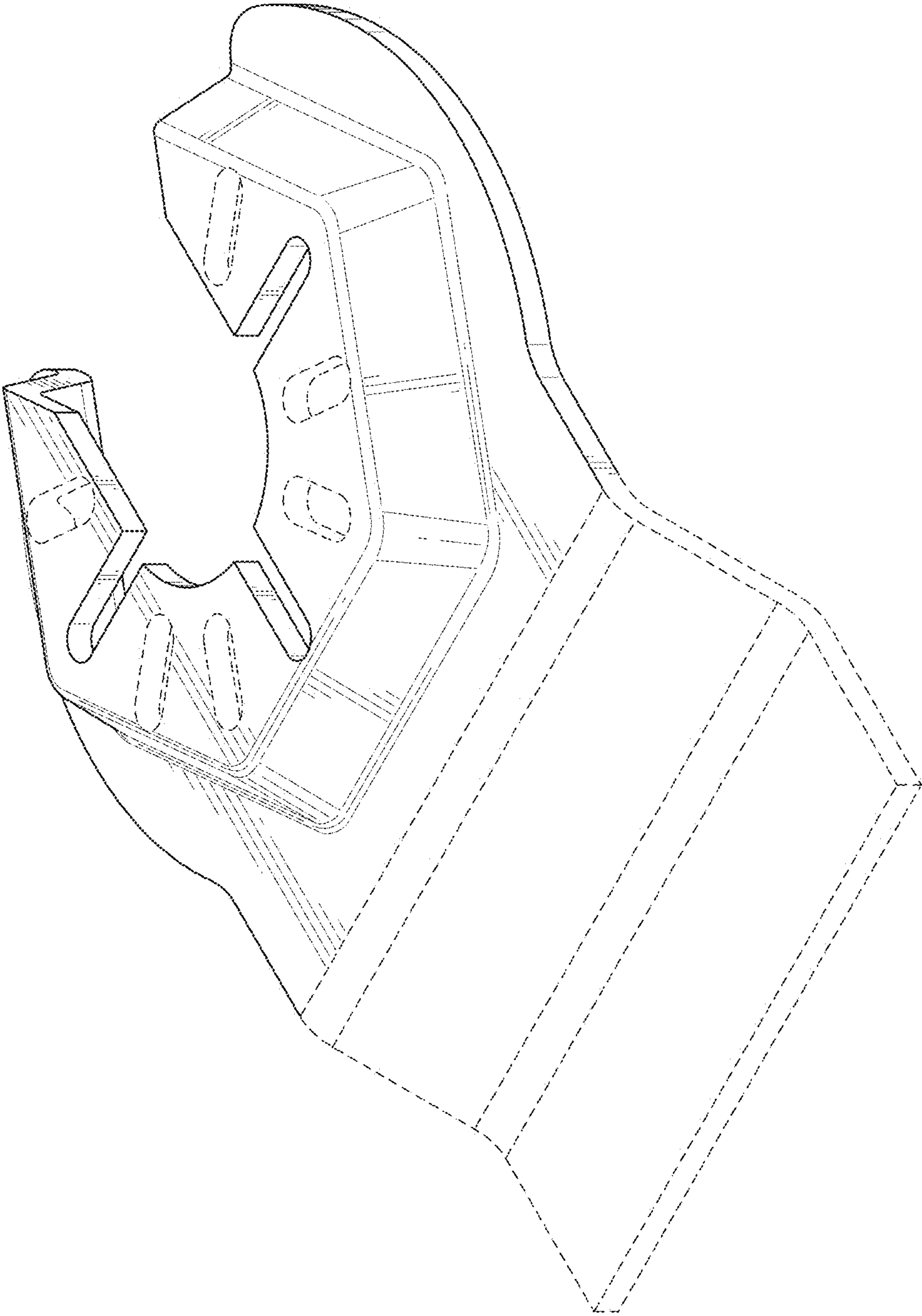


FIG. 1

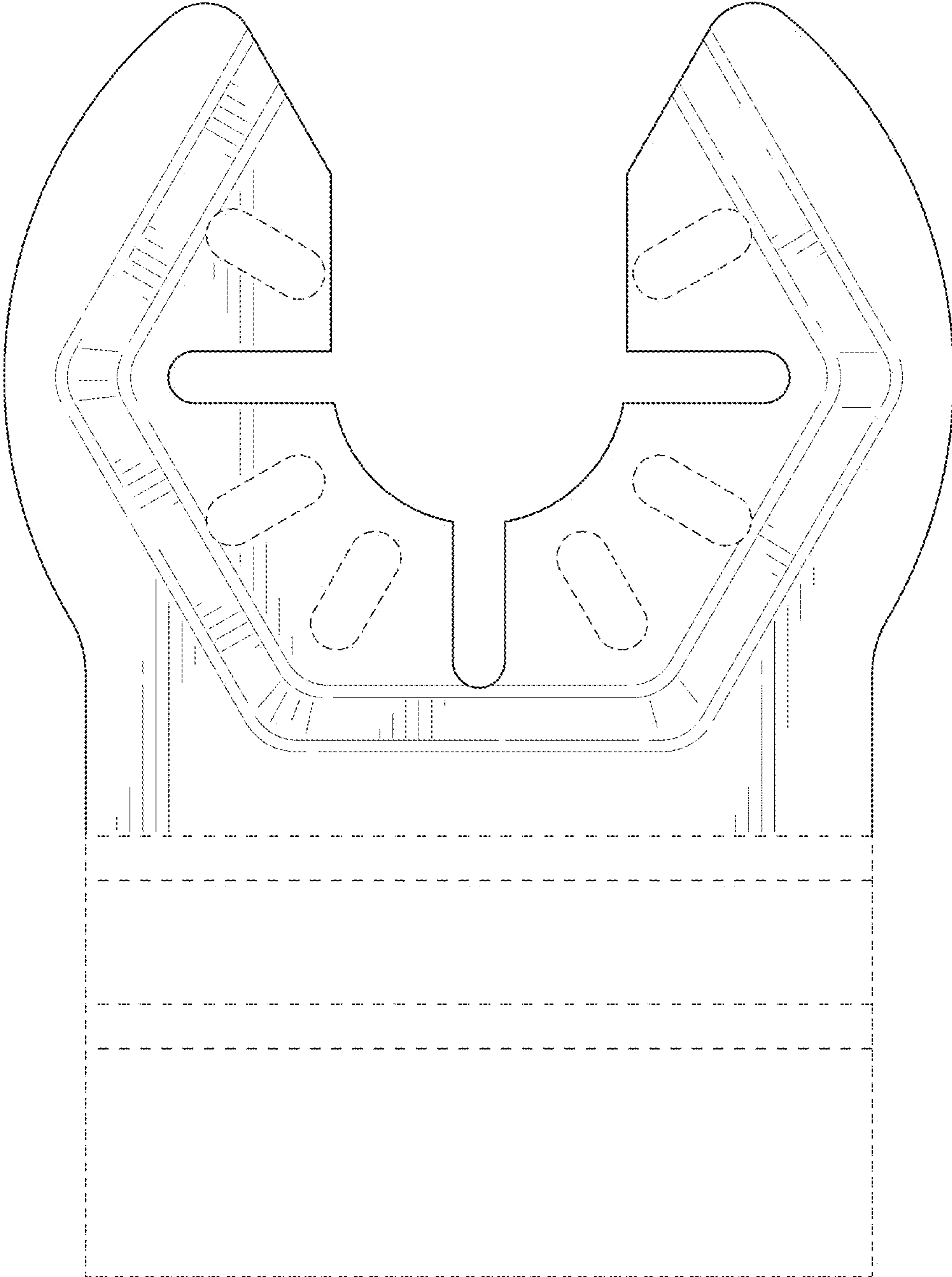


FIG. 2

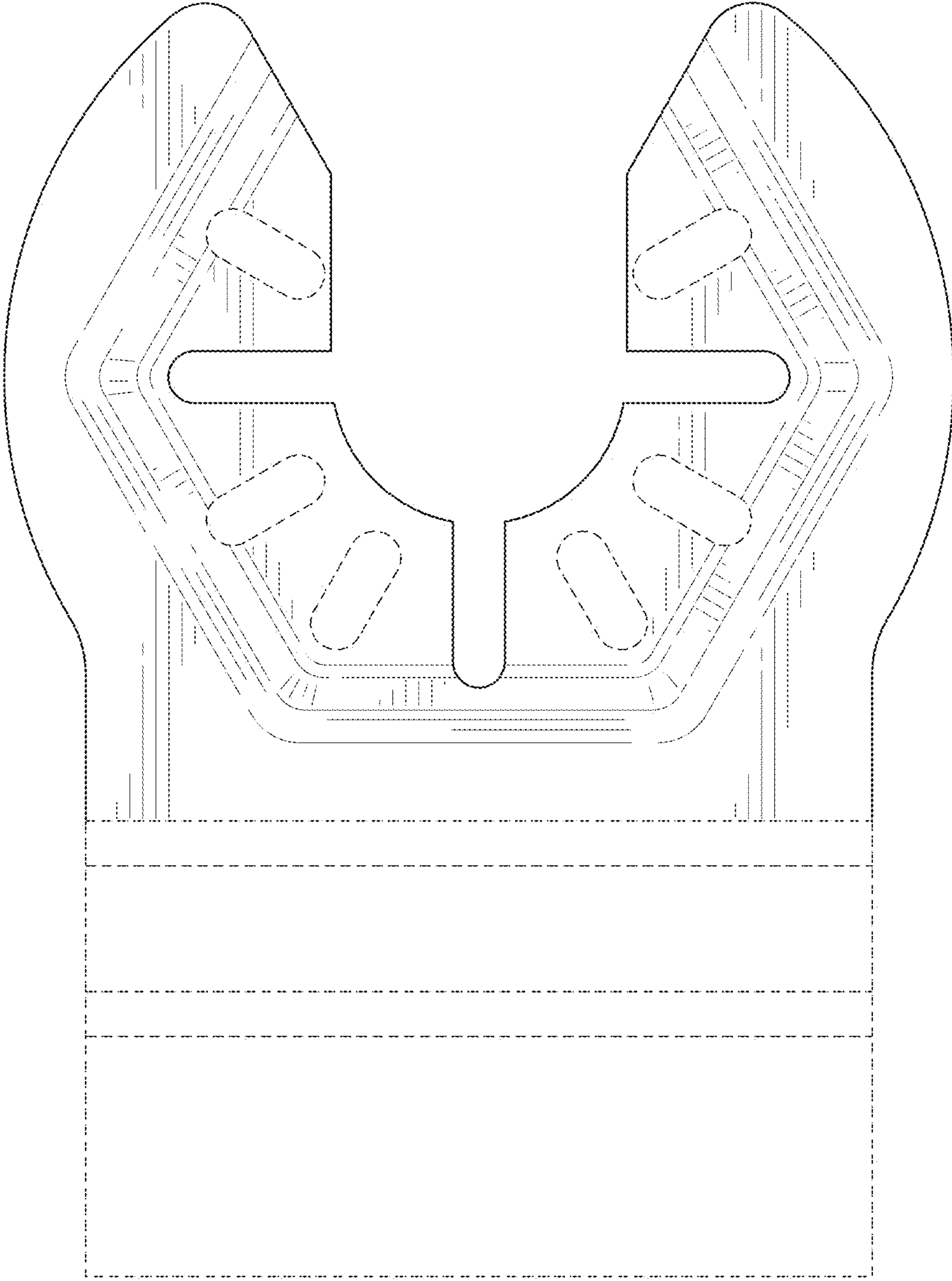


FIG. 3

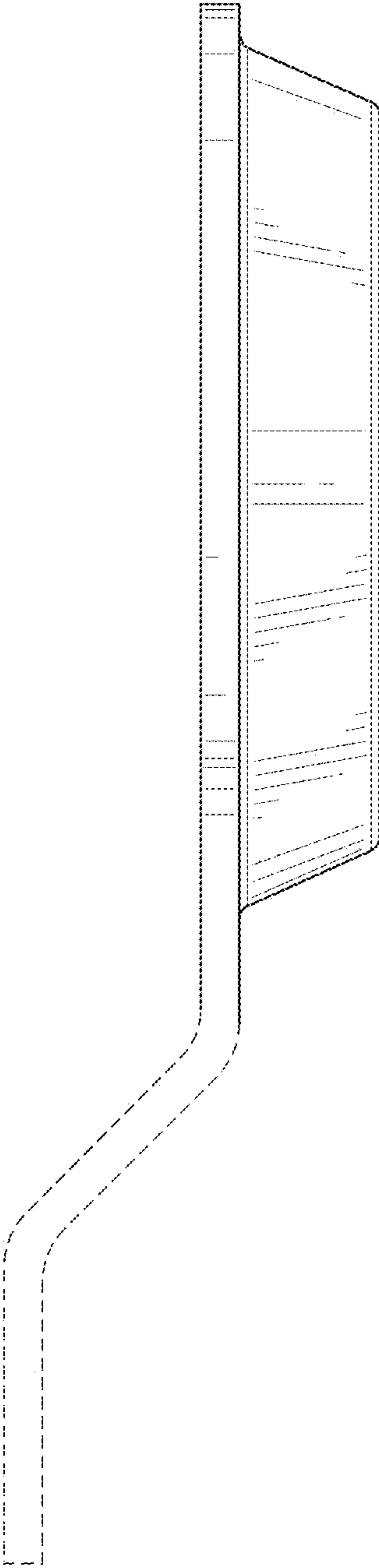


FIG. 4

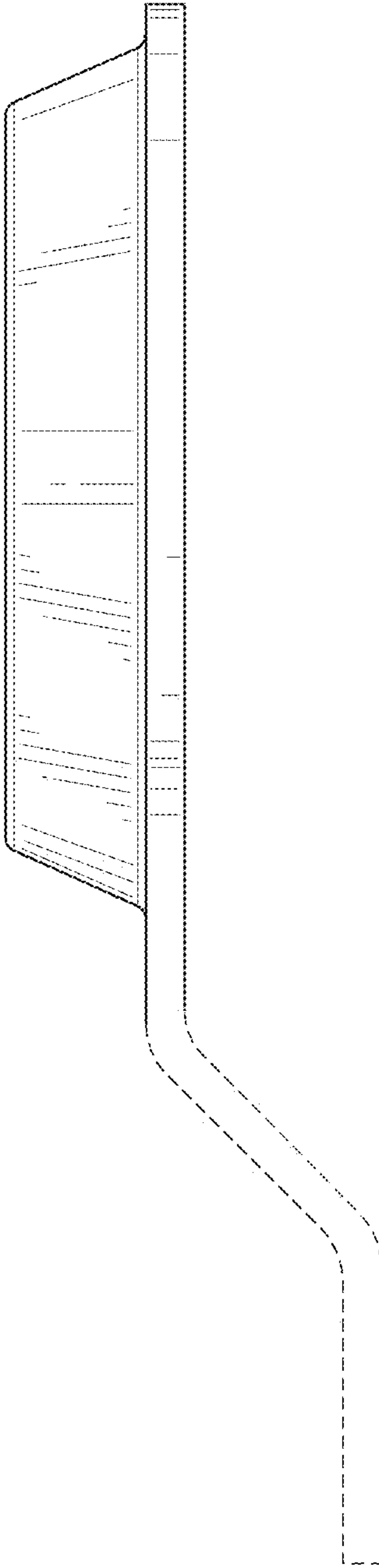


FIG. 5

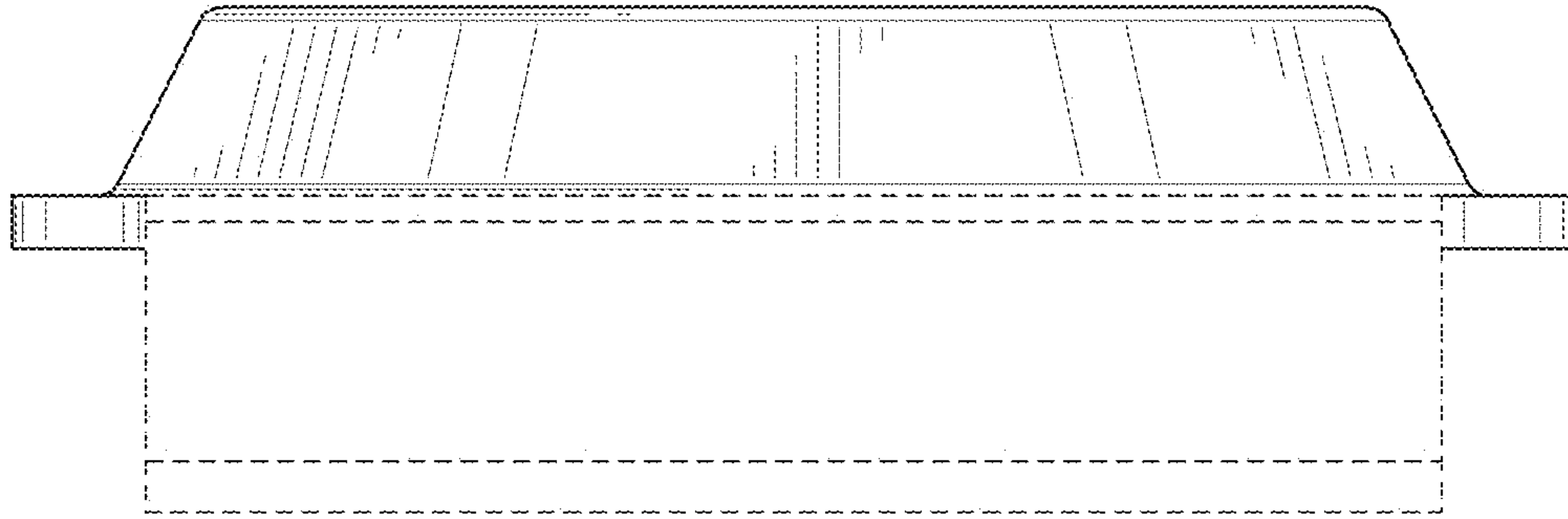


FIG. 6

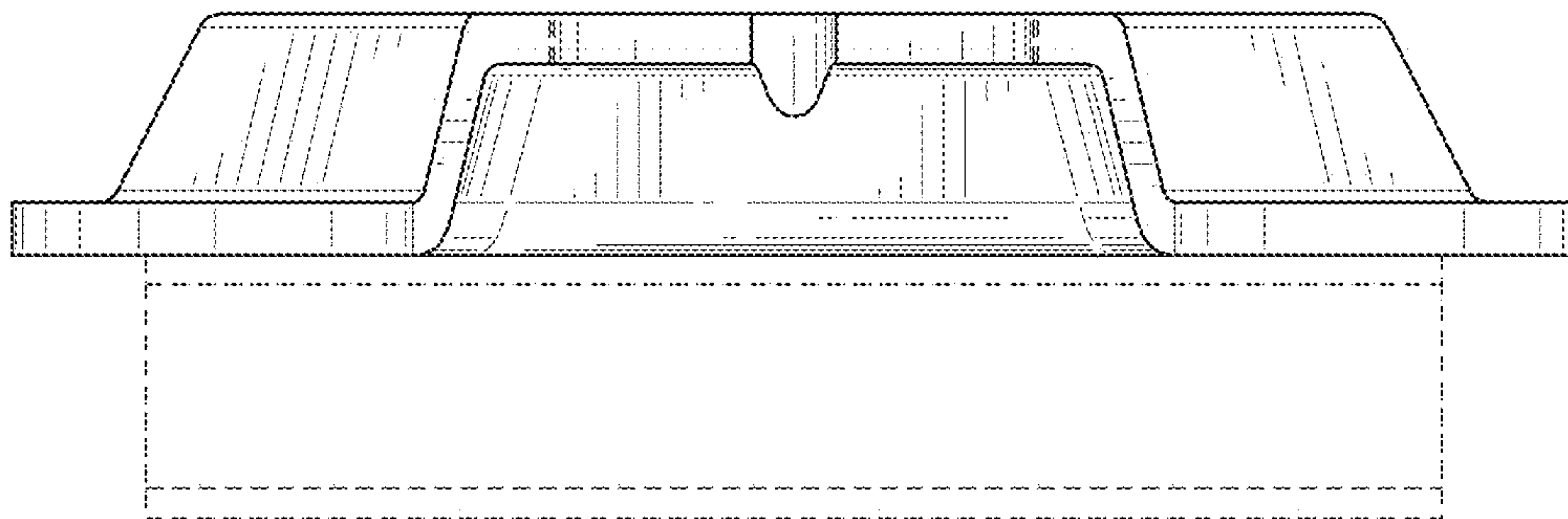


FIG. 7

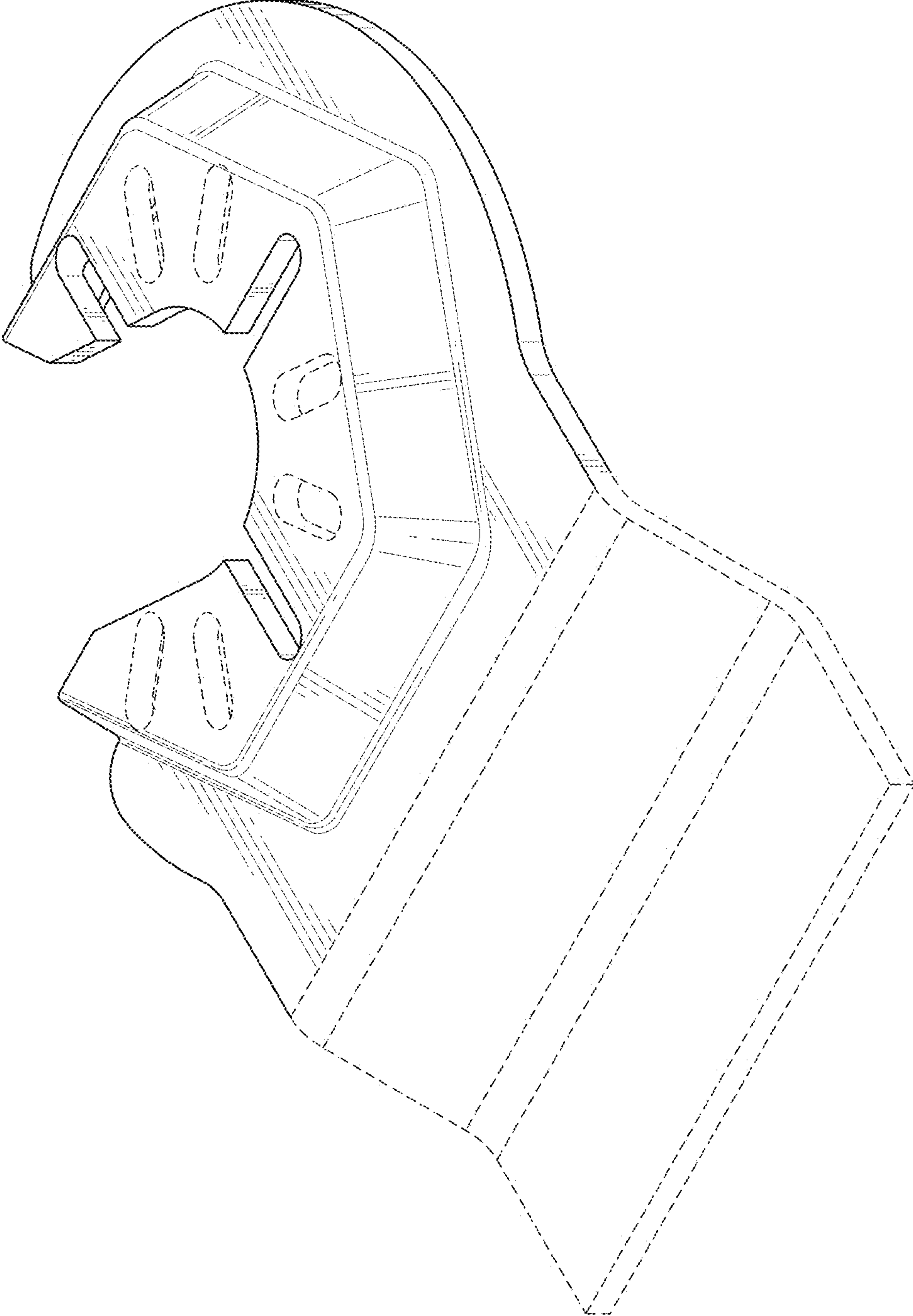


FIG. 8

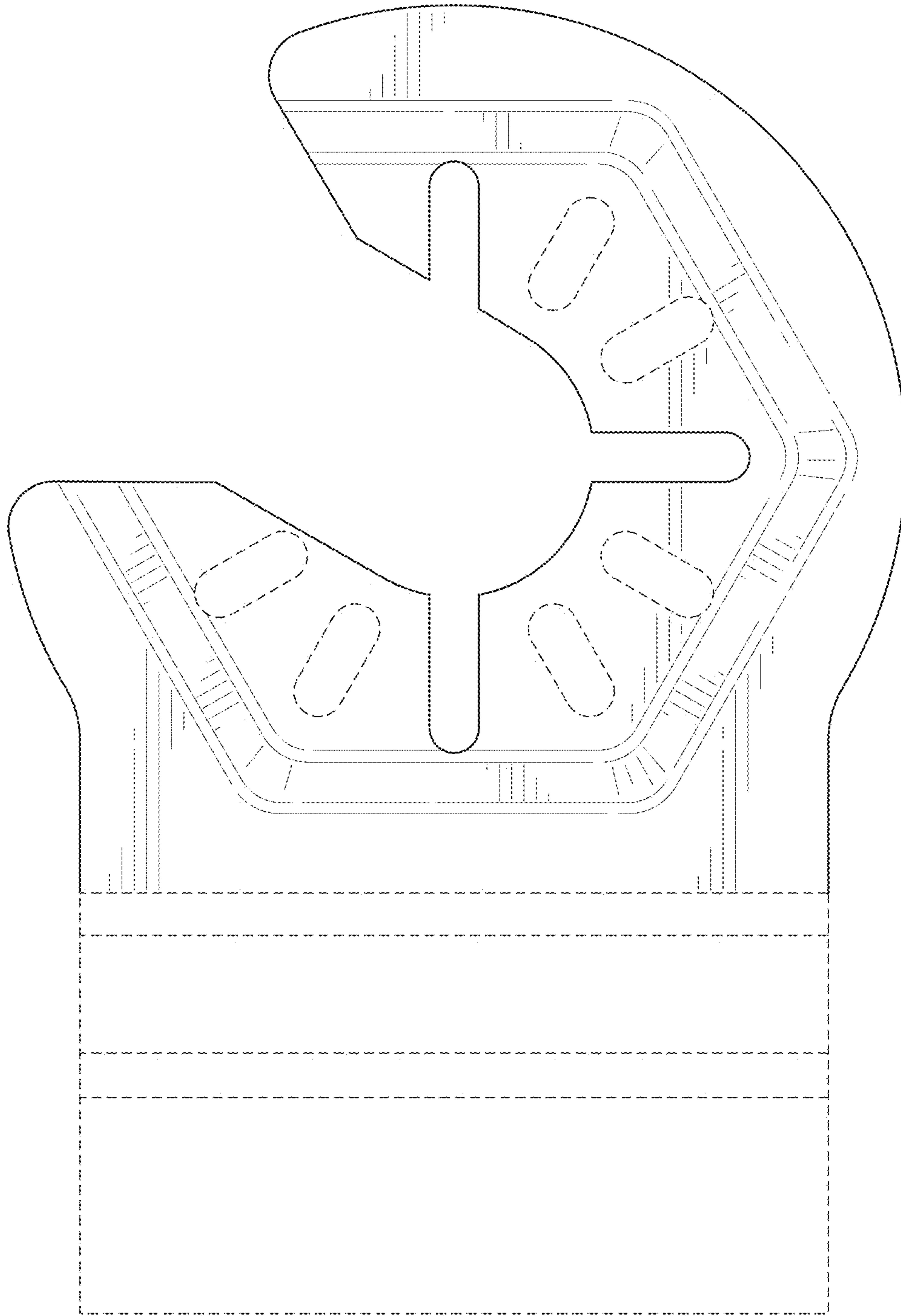


FIG. 9

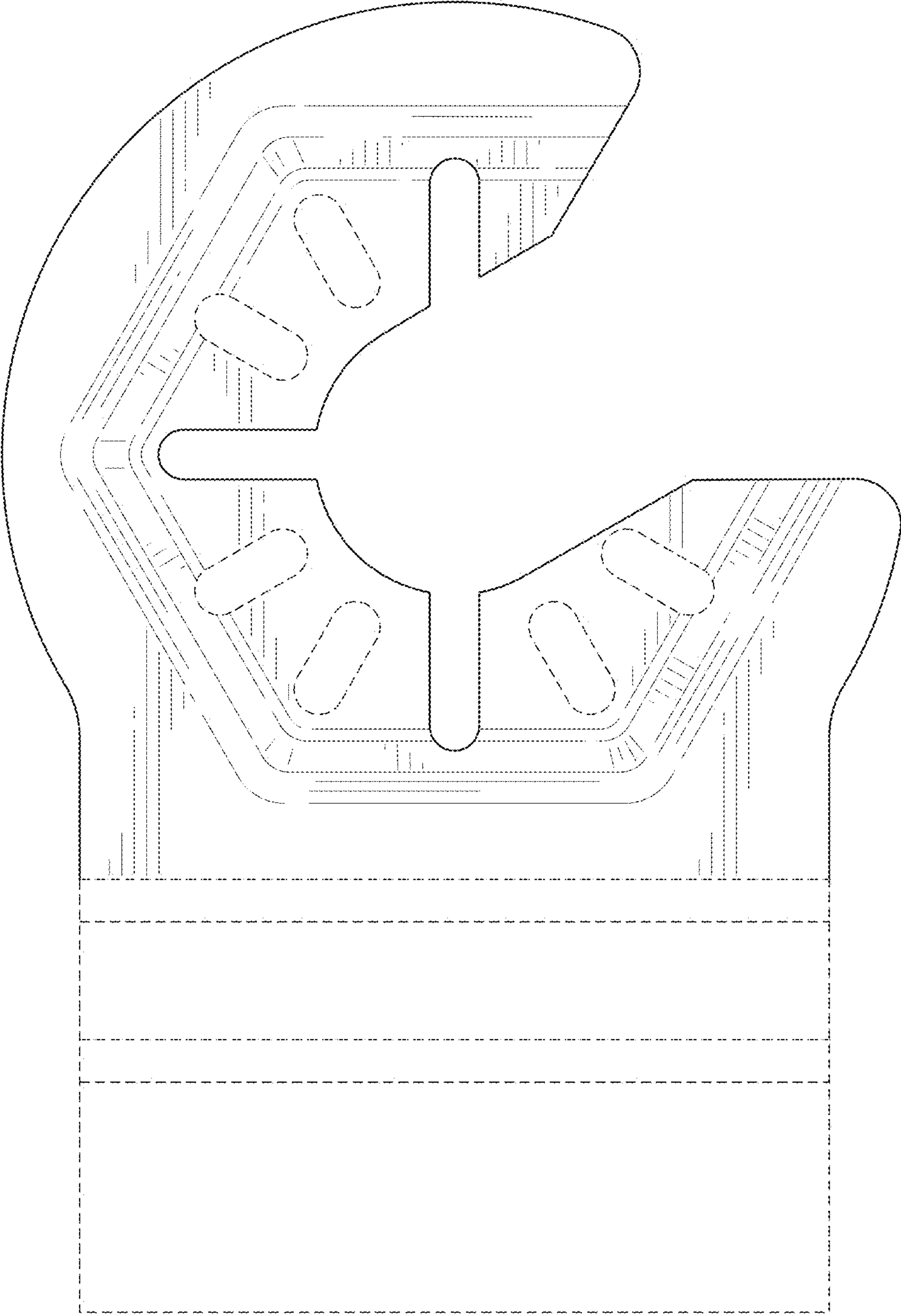


FIG. 10

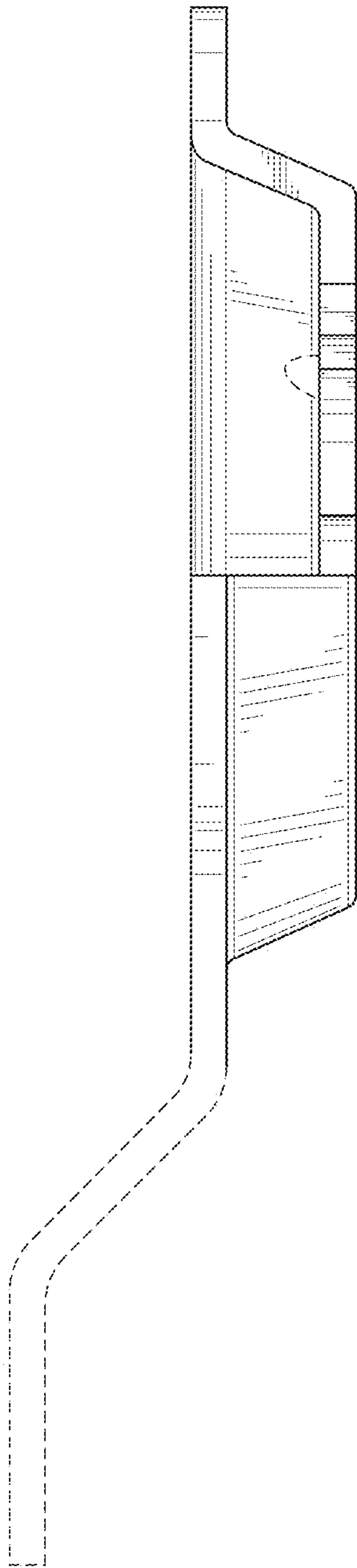


FIG. 11

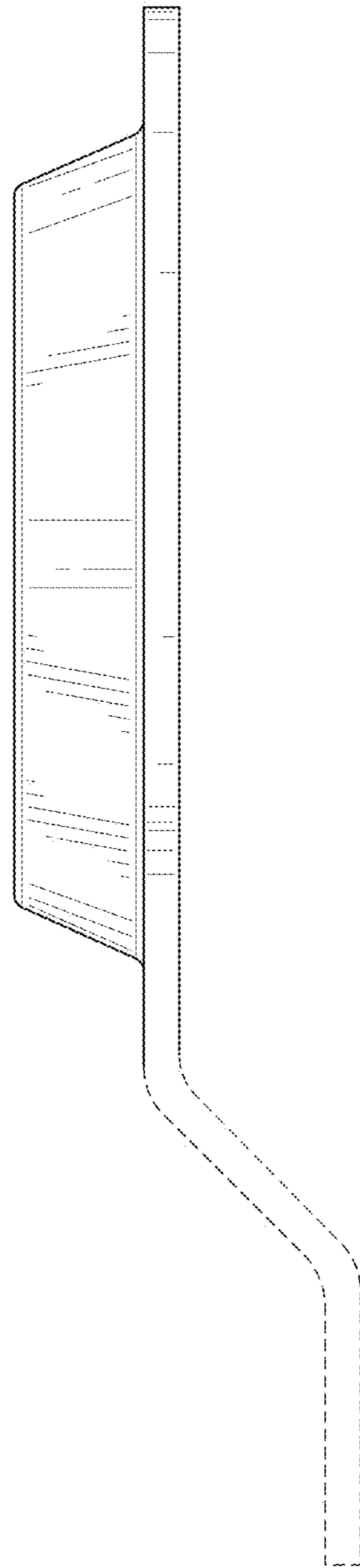


FIG. 12

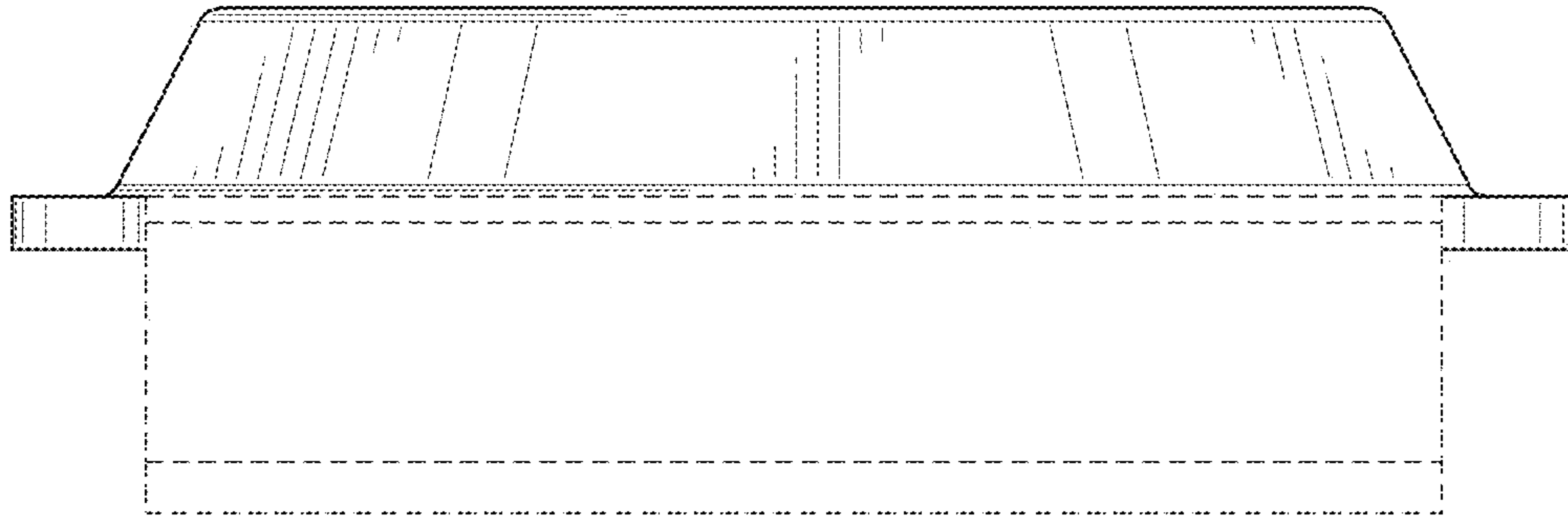


FIG. 13

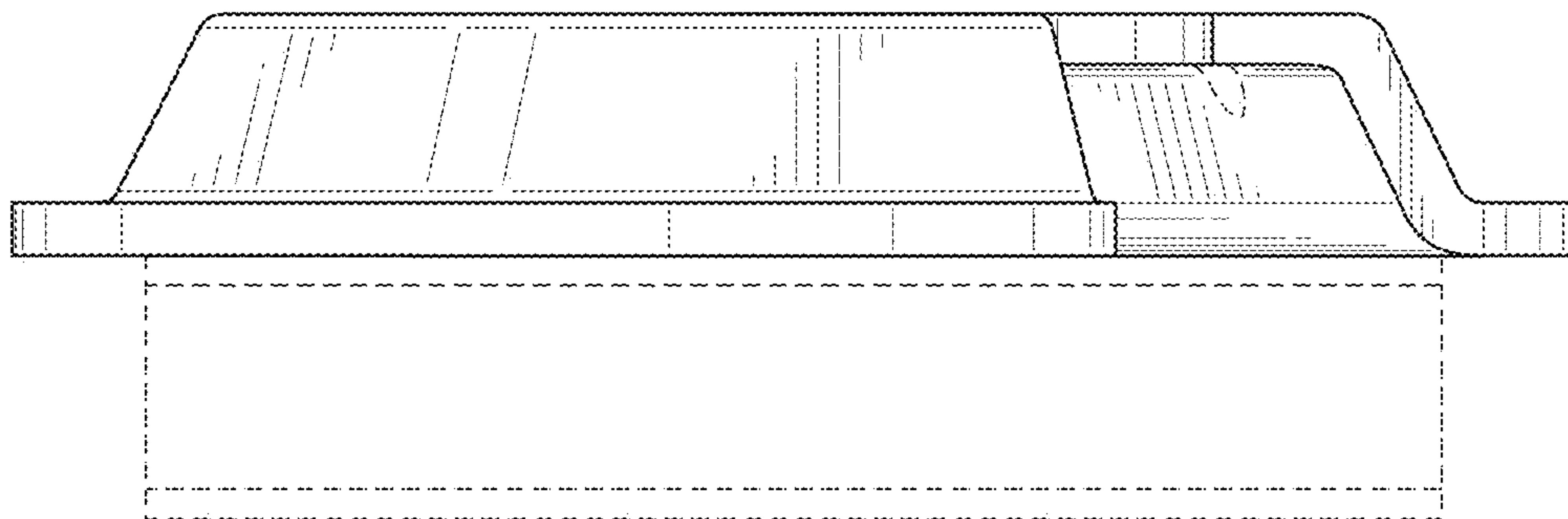


FIG. 14

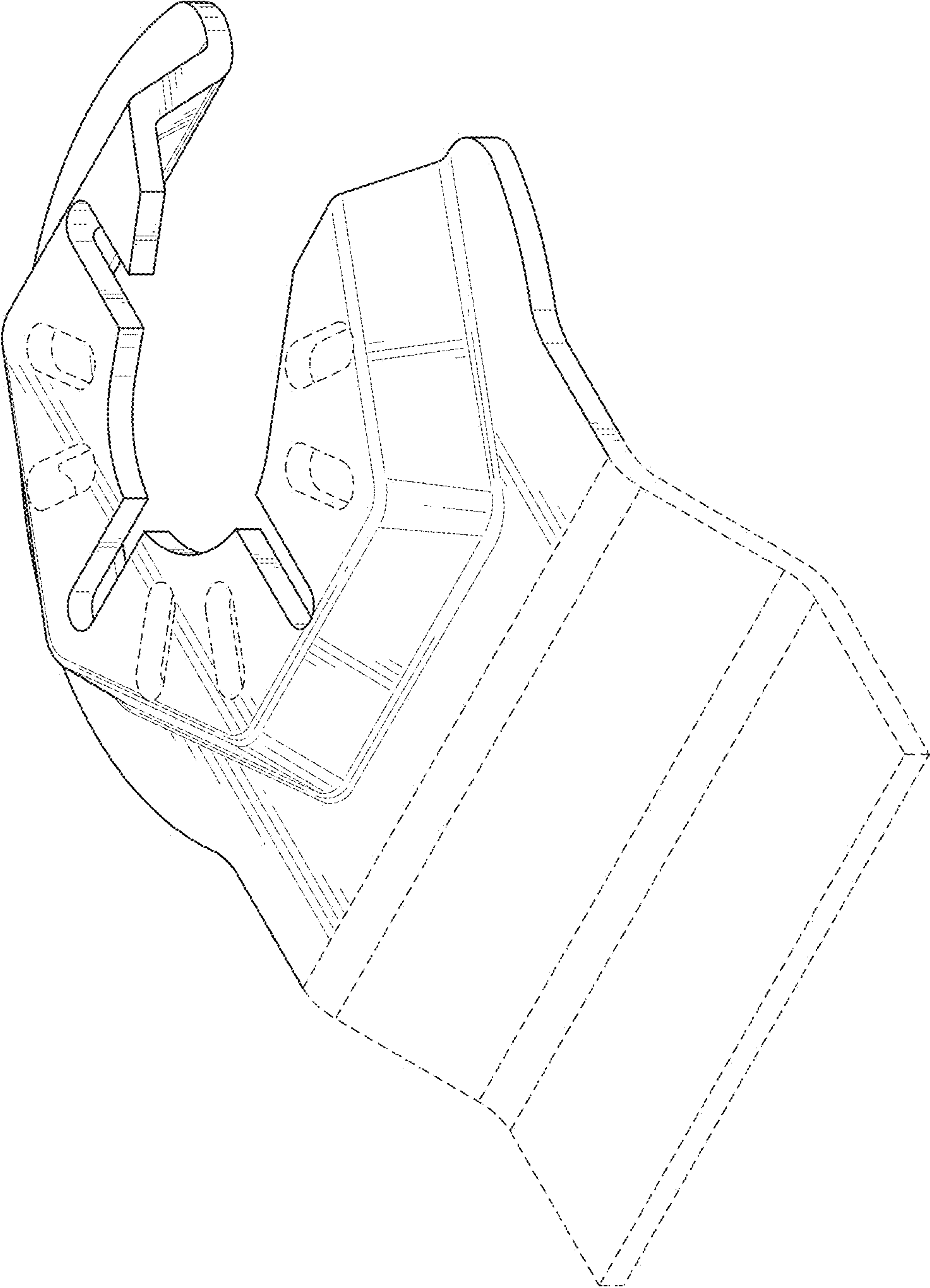


FIG. 15

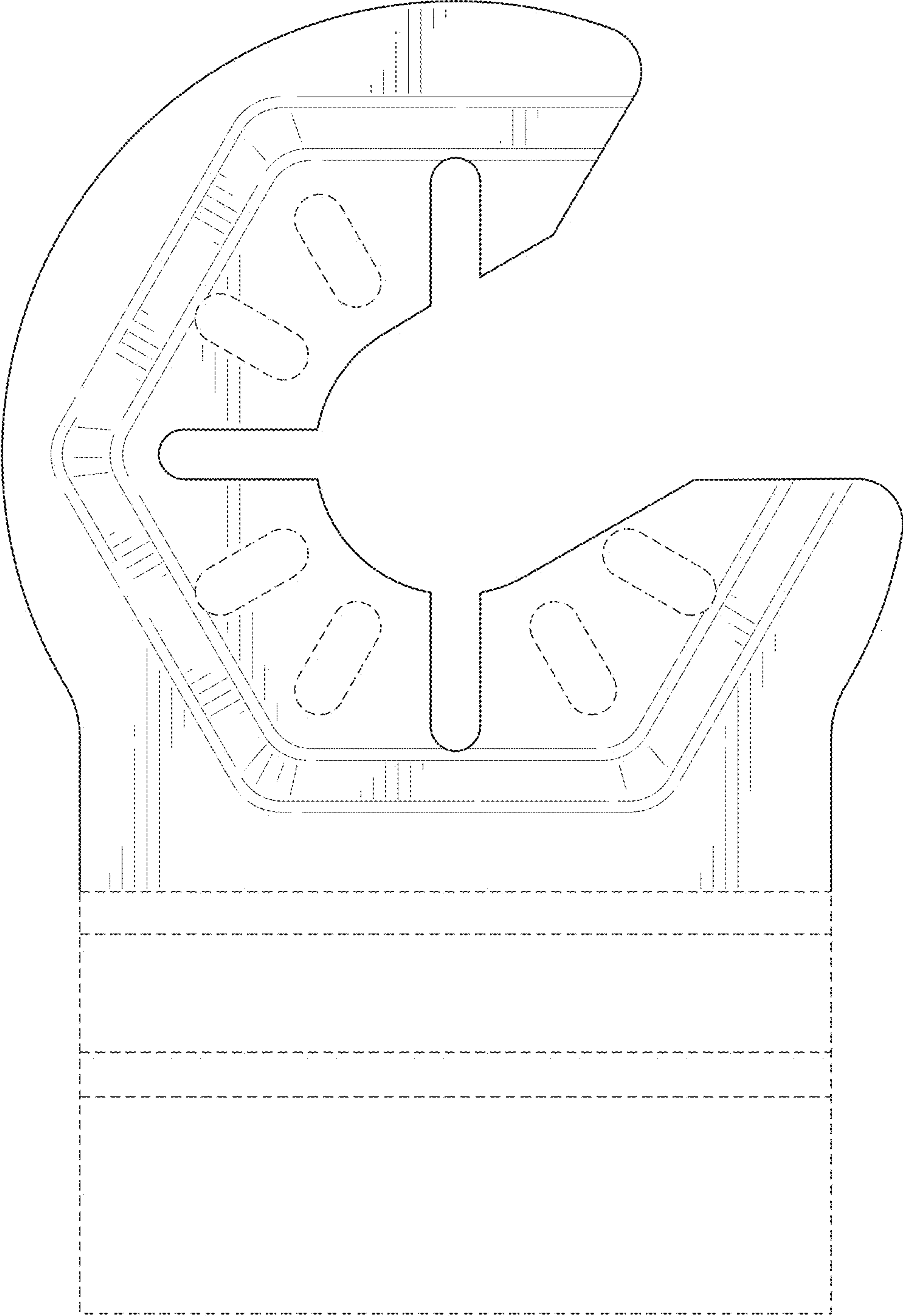


FIG. 16

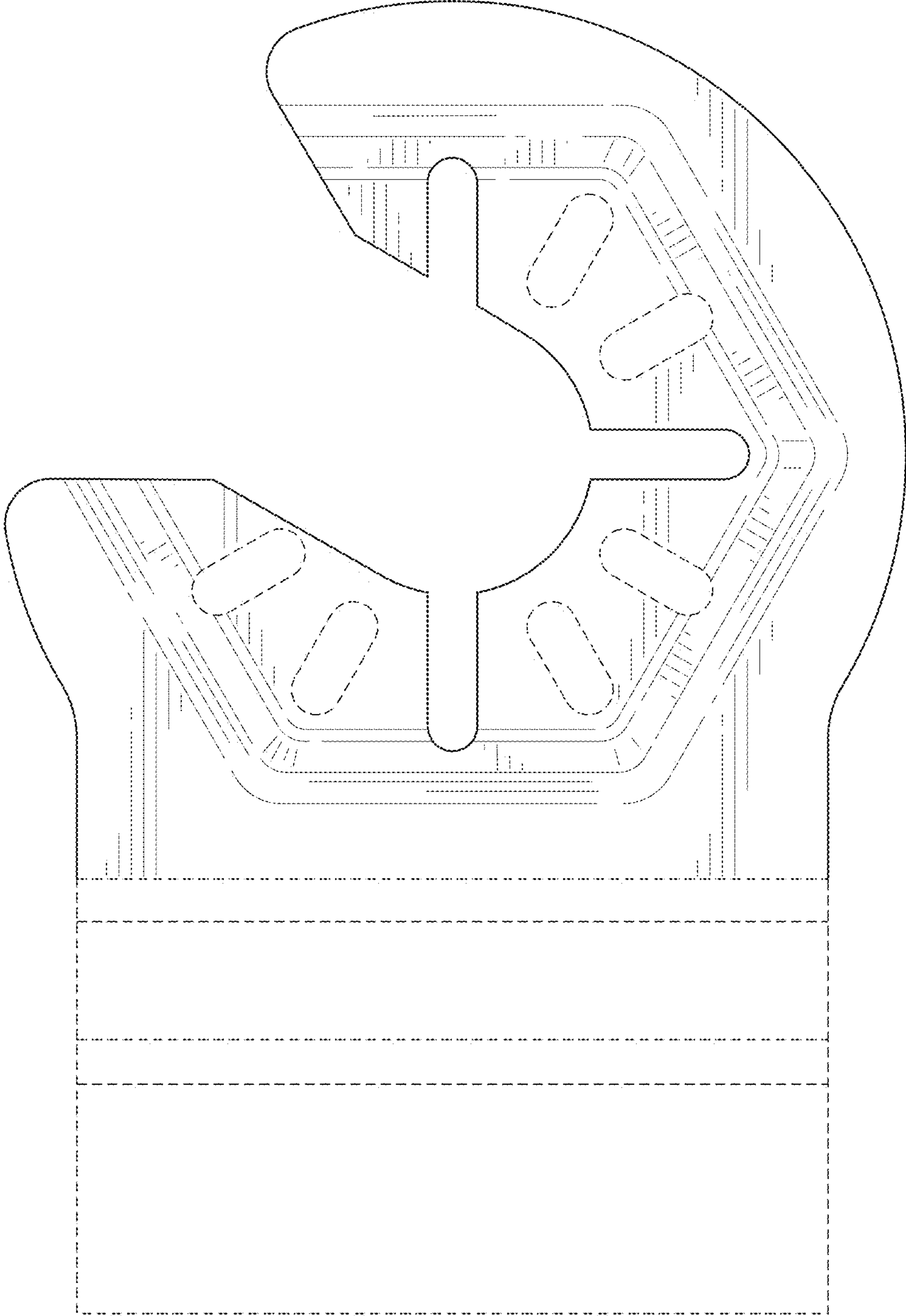


FIG. 17

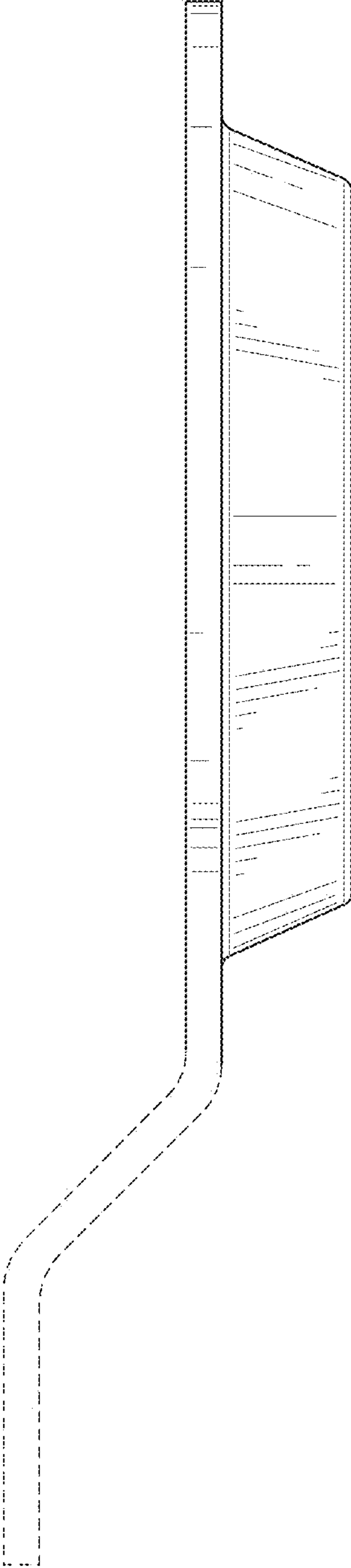


FIG. 18

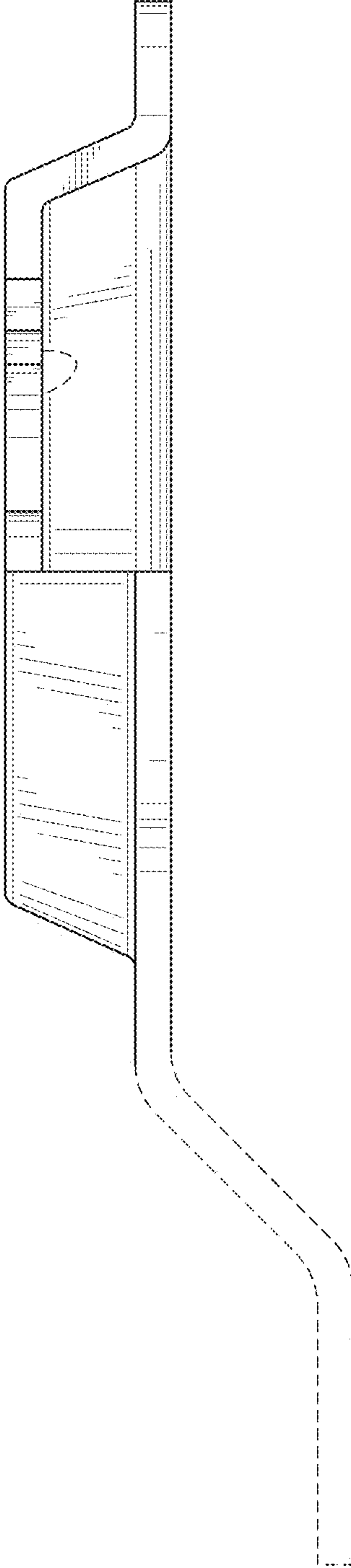


FIG. 19

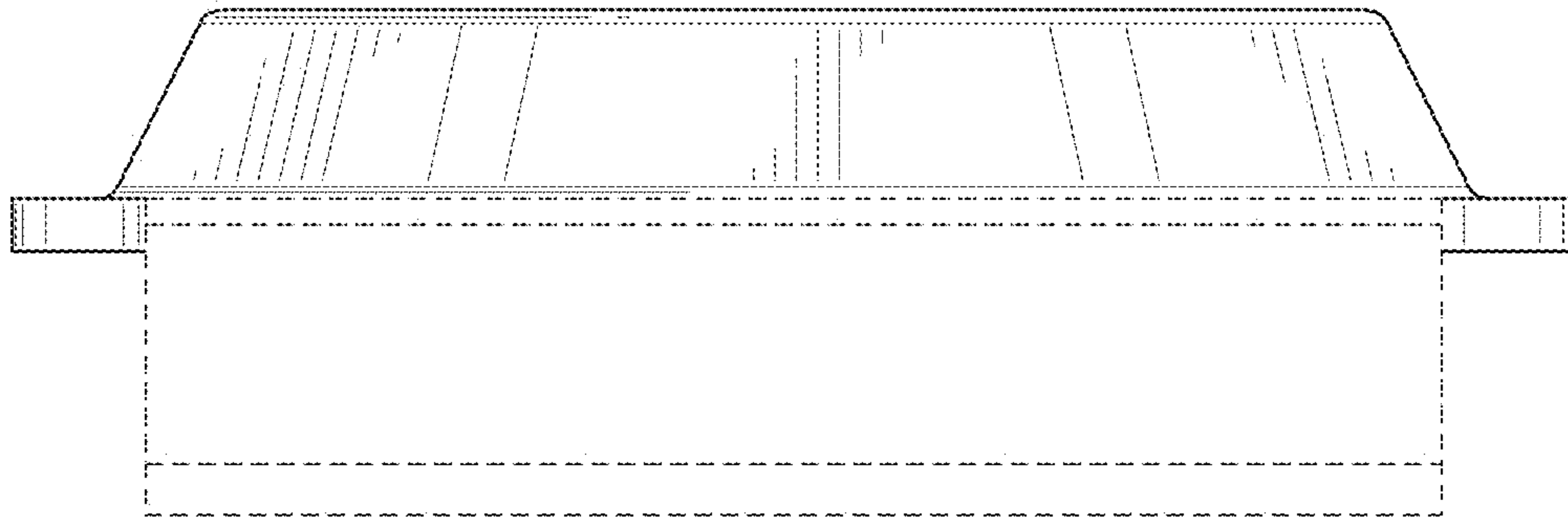


FIG. 20

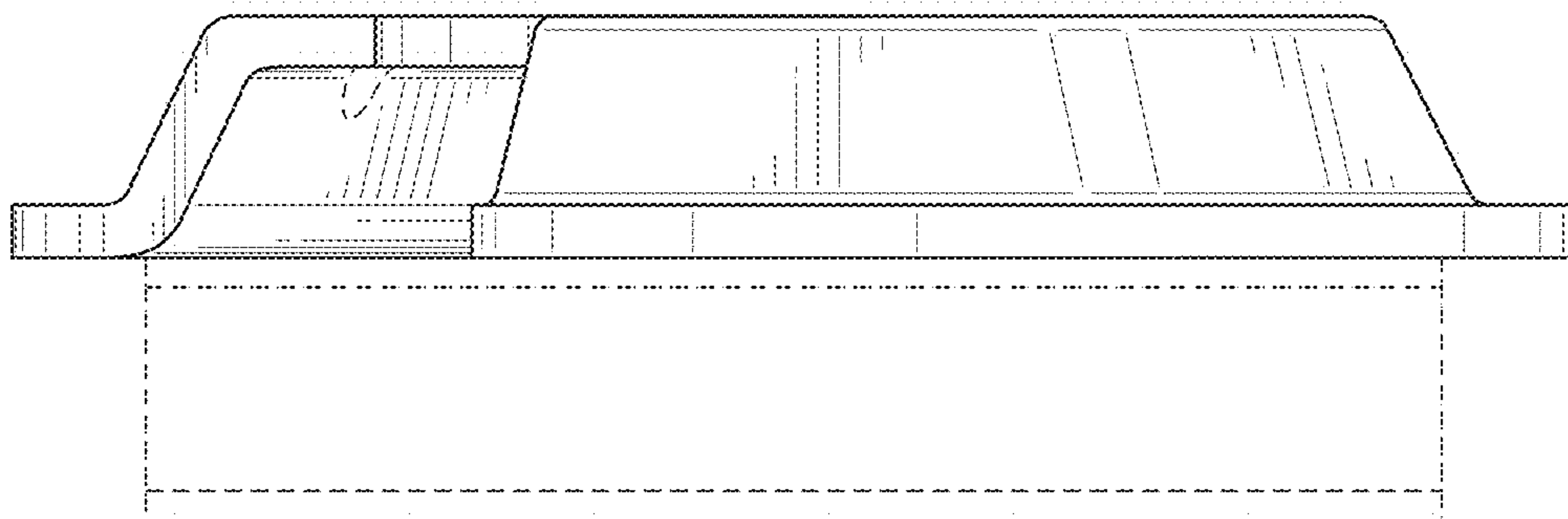


FIG. 21