



US00D953832S

(12) **United States Design Patent**  
**Hüssy**

(10) **Patent No.:** **US D953,832 S**  
(45) **Date of Patent:** **\*\* Jun. 7, 2022**

(54) **STRAPPING TOOL**

(71) Applicant: **Signode Industrial Group LLC**,  
Glenview, IL (US)

(72) Inventor: **Joel Hüssy**, Uitikon (CH)

(73) Assignee: **Signode Industrial Group LLC**,  
Tampa, FL (US)

(\*\*) Term: **15 Years**

(21) Appl. No.: **29/754,377**

(22) Filed: **Oct. 9, 2020**

(51) **LOC (13) Cl.** ..... **08-05**

(52) **U.S. Cl.**  
USPC ..... **D8/69; D15/145**

(58) **Field of Classification Search**  
USPC ..... D8/44, 61, 68, 69; D15/145  
CPC ..... B65B 13/04; B65B 57/08; B65B 57/18;  
B65B 13/025; B65B 13/322; B65B  
13/327; B65B 13/18; B65B 13/34; B65B  
13/027; B65B 13/345; B65B 13/22; B65B  
13/187

See application file for complete search history.

(56) **References Cited**

**U.S. PATENT DOCUMENTS**

D365,006 S \* 12/1995 Cheung ..... D8/67  
7,562,620 B1 \* 7/2009 Nasiatka ..... B65B 13/188  
100/32

D629,321 S 12/2010 Neeser et al.  
(Continued)

**FOREIGN PATENT DOCUMENTS**

CN 304339364 S 11/2017  
CN 304633622 S 5/2018

(Continued)

**OTHER PUBLICATIONS**

“Official Letter and Search”, from corresponding Taiwan Patent  
Application No. 110300929 (6 pages), Sep. 17, 2021.

(Continued)

*Primary Examiner* — Philip S Hyder  
(74) *Attorney, Agent, or Firm* — Neal, Gerber &  
Eisenberg LLP

(57) **CLAIM**

The ornamental design for a strapping tool, as shown.

**DESCRIPTION**

FIG. 1 is a perspective view of a strapping tool of my new design.

FIG. 2 is a front elevational view of the strapping tool of FIG. 1.

FIG. 3 is a back elevational view of the strapping tool of FIG. 1.

FIG. 4 is a right-side elevational view of the strapping tool of FIG. 1.

FIG. 5 is a left-side elevational view of the strapping tool of FIG. 1.

FIG. 6 is a top plan view of the strapping tool of FIG. 1.

FIG. 7 is a bottom plan view of the strapping tool of FIG. 1.

FIG. 8 is a perspective view of another embodiment of the strapping tool of my new design.

FIG. 9 is a front elevational view of the strapping tool of FIG. 8.

FIG. 10 is a back elevational view of the strapping tool of FIG. 8.

FIG. 11 is a right-side elevational view of the strapping tool of FIG. 8.

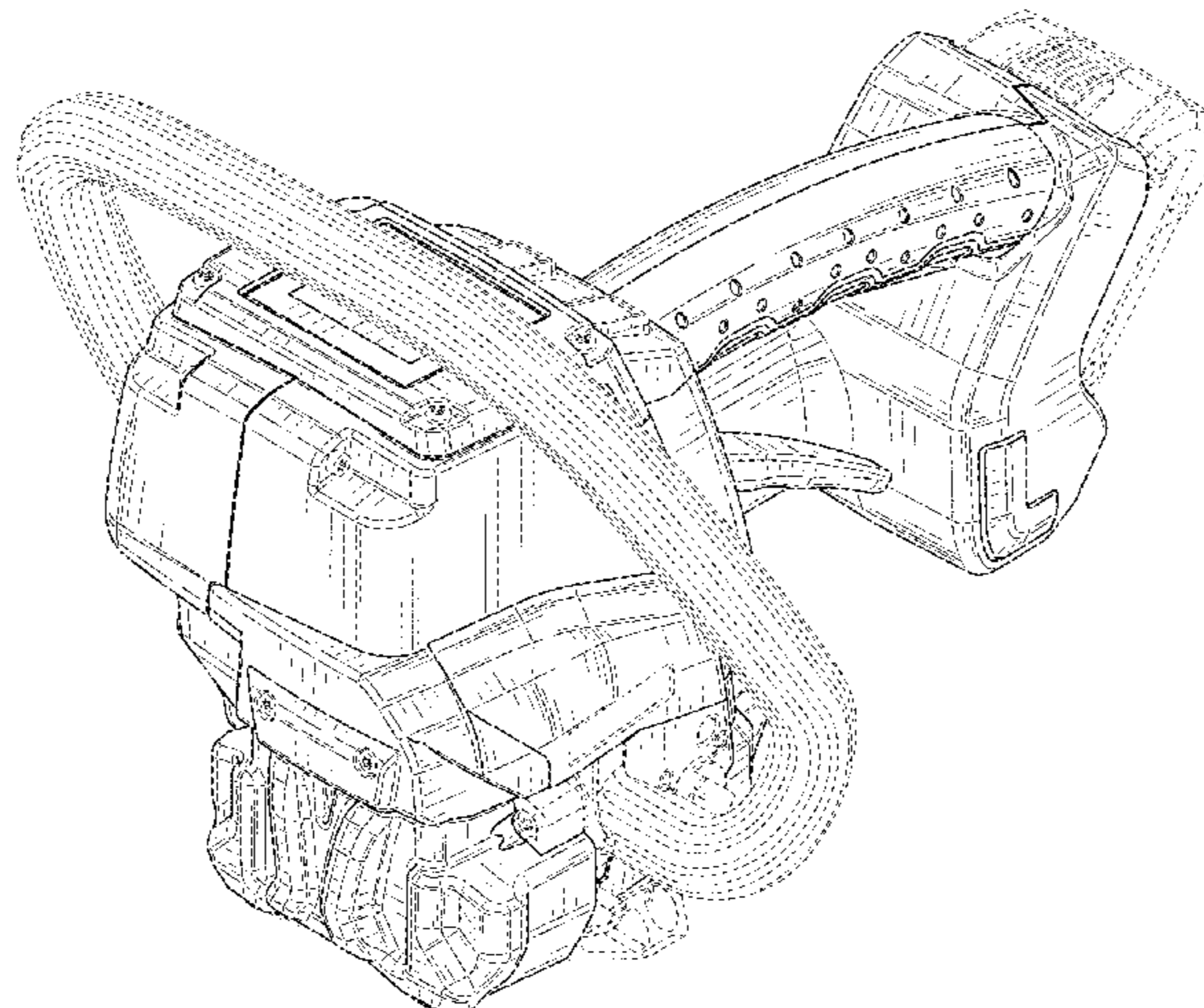
FIG. 12 is a left-side elevational view of the strapping tool of FIG. 8.

FIG. 13 is a top plan view of the strapping tool of FIG. 8; and,

FIG. 14 is a bottom plan view of the strapping tool of FIG. 8.

The broken lines illustrate portions of the strapping tool that form no part of the claimed design.

**1 Claim, 14 Drawing Sheets**



(56)

References Cited

U.S. PATENT DOCUMENTS

D651,498 S 1/2012 Neeser et al.  
 D653,923 S 2/2012 Neeser et al.  
 D864,688 S 10/2019 Hochstrasser  
 D874,897 S \* 2/2020 Hochstrasser ..... D15/145  
 D889,229 S \* 7/2020 Hochstrasser ..... D15/145  
 D904,151 S 12/2020 Hochstrasser  
 D917,997 S \* 5/2021 Hochstrasser ..... D15/145  
 D928,577 S \* 8/2021 Hochstrasser ..... D15/145  
 2009/0013656 A1 \* 1/2009 Nasiatka ..... B65B 13/322  
 100/6  
 2011/0056389 A1 \* 3/2011 Neeser ..... B65B 13/322  
 100/29  
 2012/0210682 A1 \* 8/2012 Gardner ..... B65B 13/187  
 53/375.9  
 2014/0007781 A1 \* 1/2014 Sikora ..... B65B 13/025  
 100/29  
 2016/0016682 A1 \* 1/2016 Boss ..... B65B 13/22  
 100/29  
 2016/0107775 A1 \* 4/2016 Amacker ..... B65B 13/327  
 100/29  
 2017/0166335 A1 \* 6/2017 Nasiatka ..... B65B 13/345  
 2018/0127124 A1 \* 5/2018 Sikora ..... B65B 57/00  
 2019/0185189 A1 \* 6/2019 Neeser ..... B65B 13/185  
 2019/0256233 A1 \* 8/2019 Sikora ..... B65B 13/187  
 2020/0354094 A1 \* 11/2020 Keller ..... B65B 13/34  
 2020/0361644 A1 \* 11/2020 Hochstrasser ..... B65B 13/04

FOREIGN PATENT DOCUMENTS

CN 304853433 S 10/2018  
 CN 305440868 S 11/2019  
 CN 305828794 S 6/2020

OTHER PUBLICATIONS

Signode “Grip Pack” and “GripPack Double Notch Sealer” brochure, (1 page), 2015. Retrieved from [https://www.signodestrapping.com/pdf/grippack-114\\_spd\\_1710\\_web.pdf](https://www.signodestrapping.com/pdf/grippack-114_spd_1710_web.pdf).  
 Signode “Grip Pack SLB” brochure, (2 pages), 2018. Retrieved from <https://www.signode.no/media/2237/grippack-slb-engelsk.pdf>.  
 Signode “Grip Pack PB” and “Battery Powered Tensioner for Steel Strap” brochure, (2 pages), 2018. Retrieved from [http://www.signodestrapping.com/pdf/GripPack%20Tensioner%20SPD%201852\\_10-16-18\\_English\\_A4%20.pdf](http://www.signodestrapping.com/pdf/GripPack%20Tensioner%20SPD%201852_10-16-18_English_A4%20.pdf).  
 Signode “Grip Pack” and “Grip Pack Cutter” brochure, (1 page), 2015. Retrieved from [https://www.signodestrapping.com/pdf/GripPack\\_Cutter%20SPD%201819.pdf](https://www.signodestrapping.com/pdf/GripPack_Cutter%20SPD%201819.pdf).  
 Signode “Grip Pack RCBS/RCBD” brochure, (2 pages), 2018. Retrieved from <https://topsealpackaging.com/pdf/GripPack-Sealer-RCBS.pdf>.

\* cited by examiner

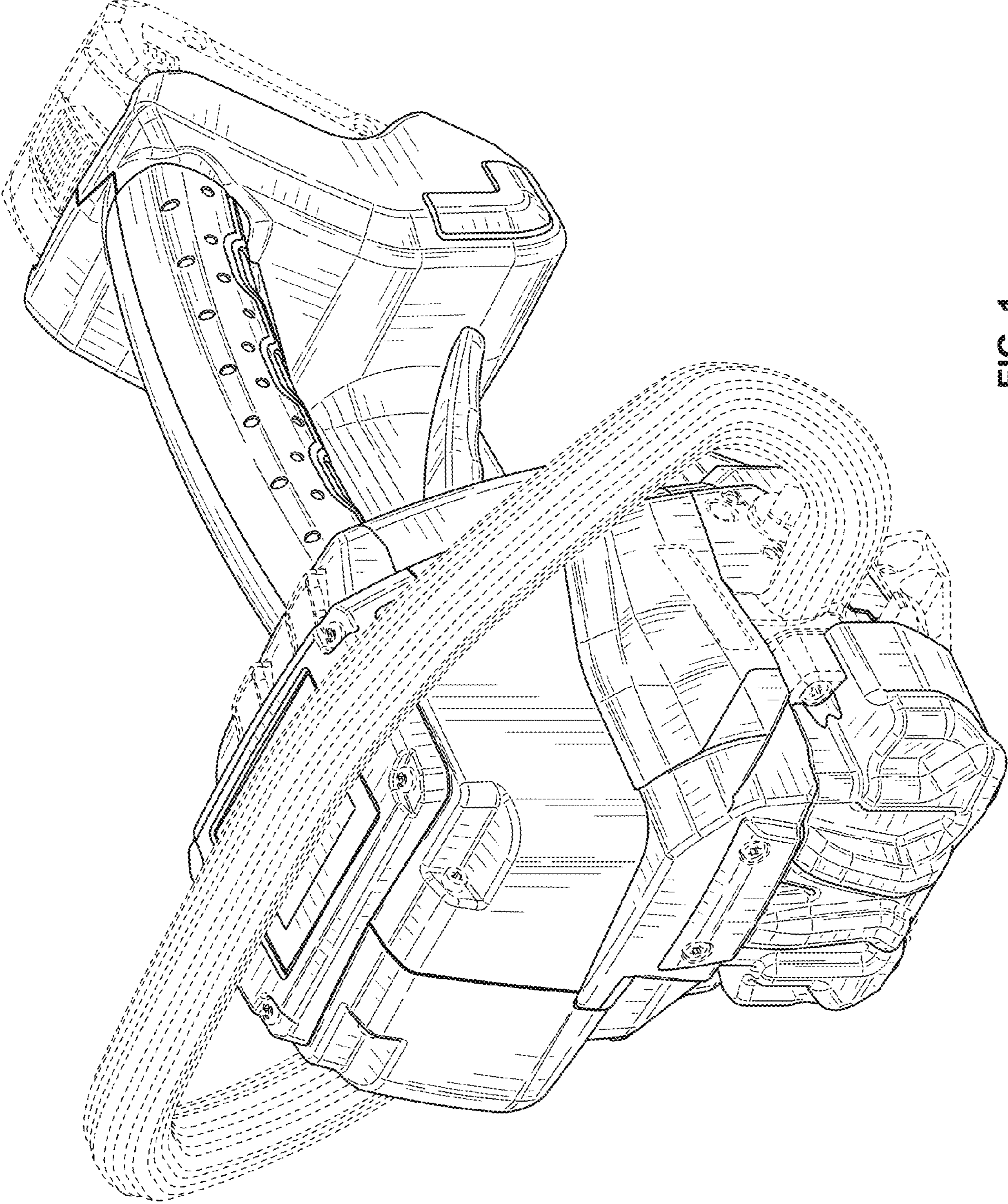


FIG. 1

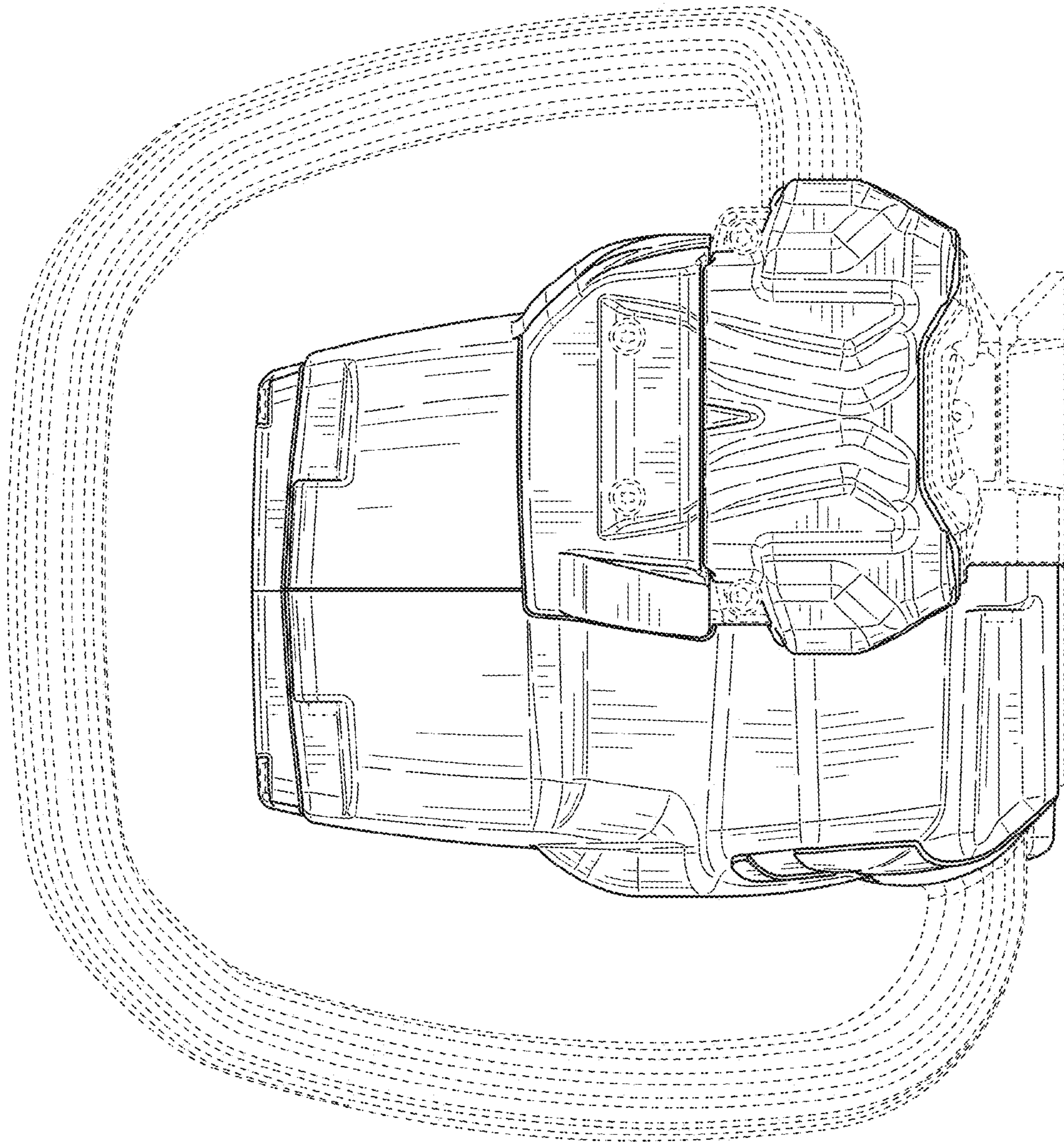


FIG. 2

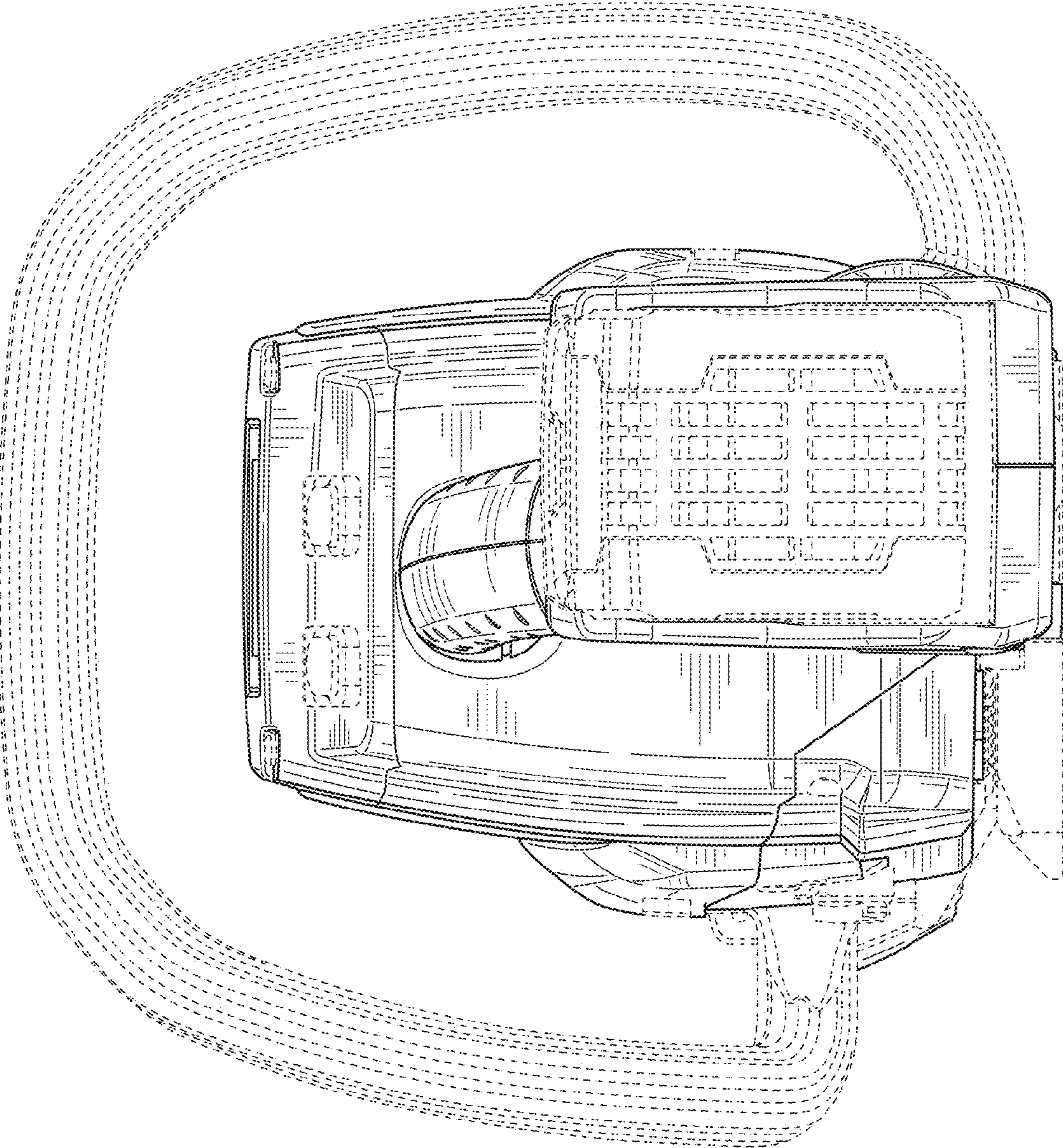


FIG. 3

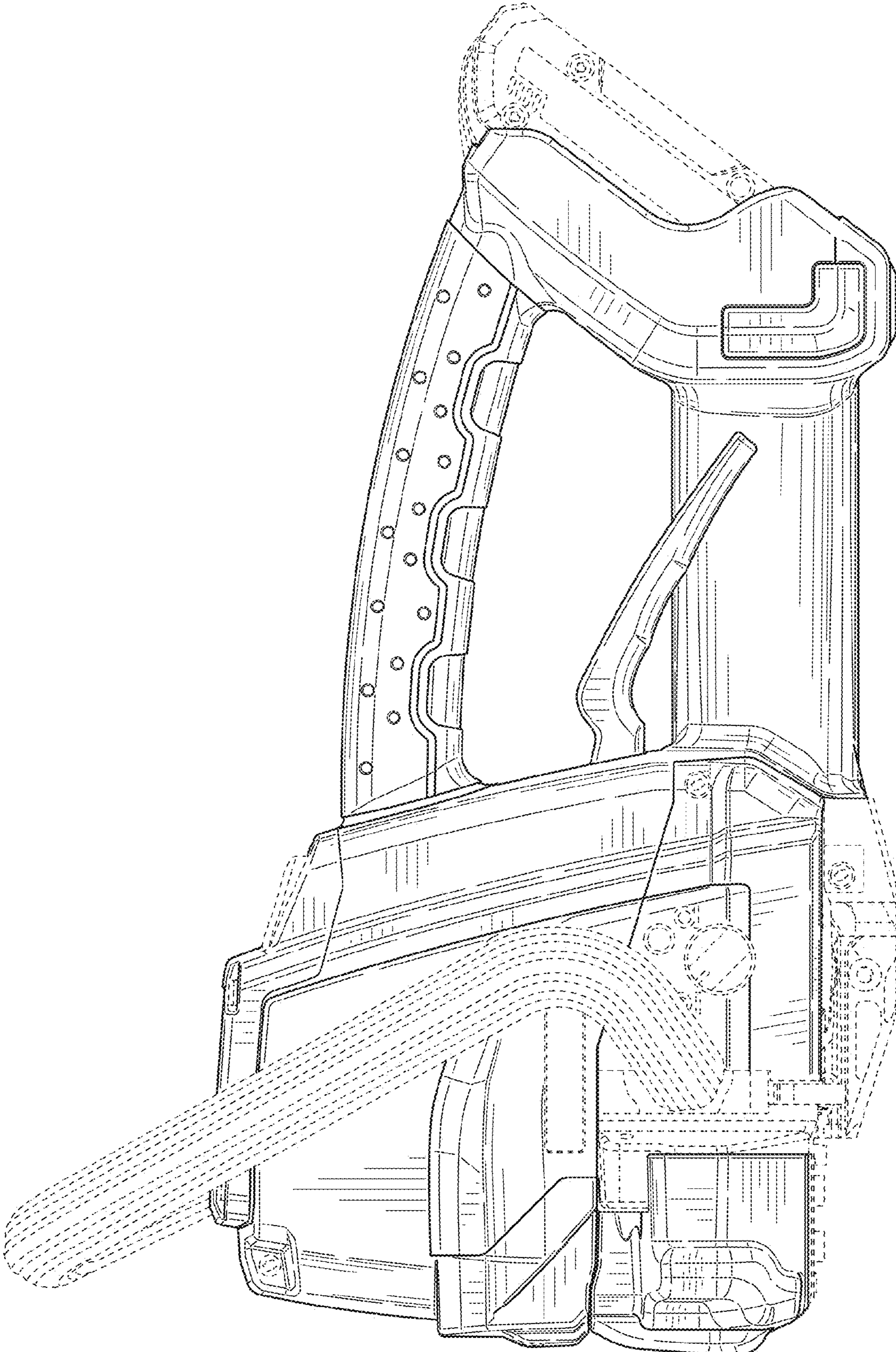


FIG. 4

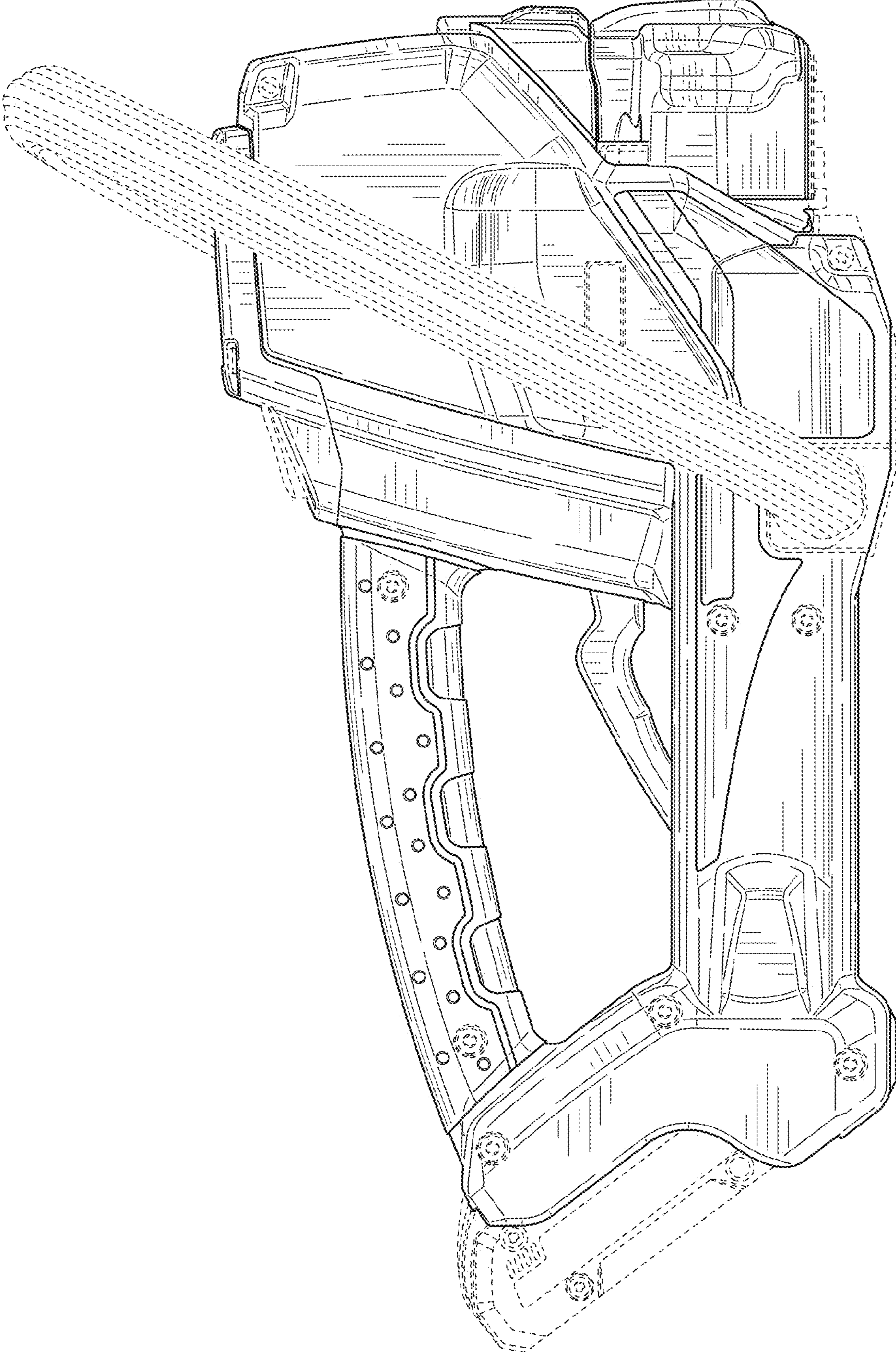


FIG. 5

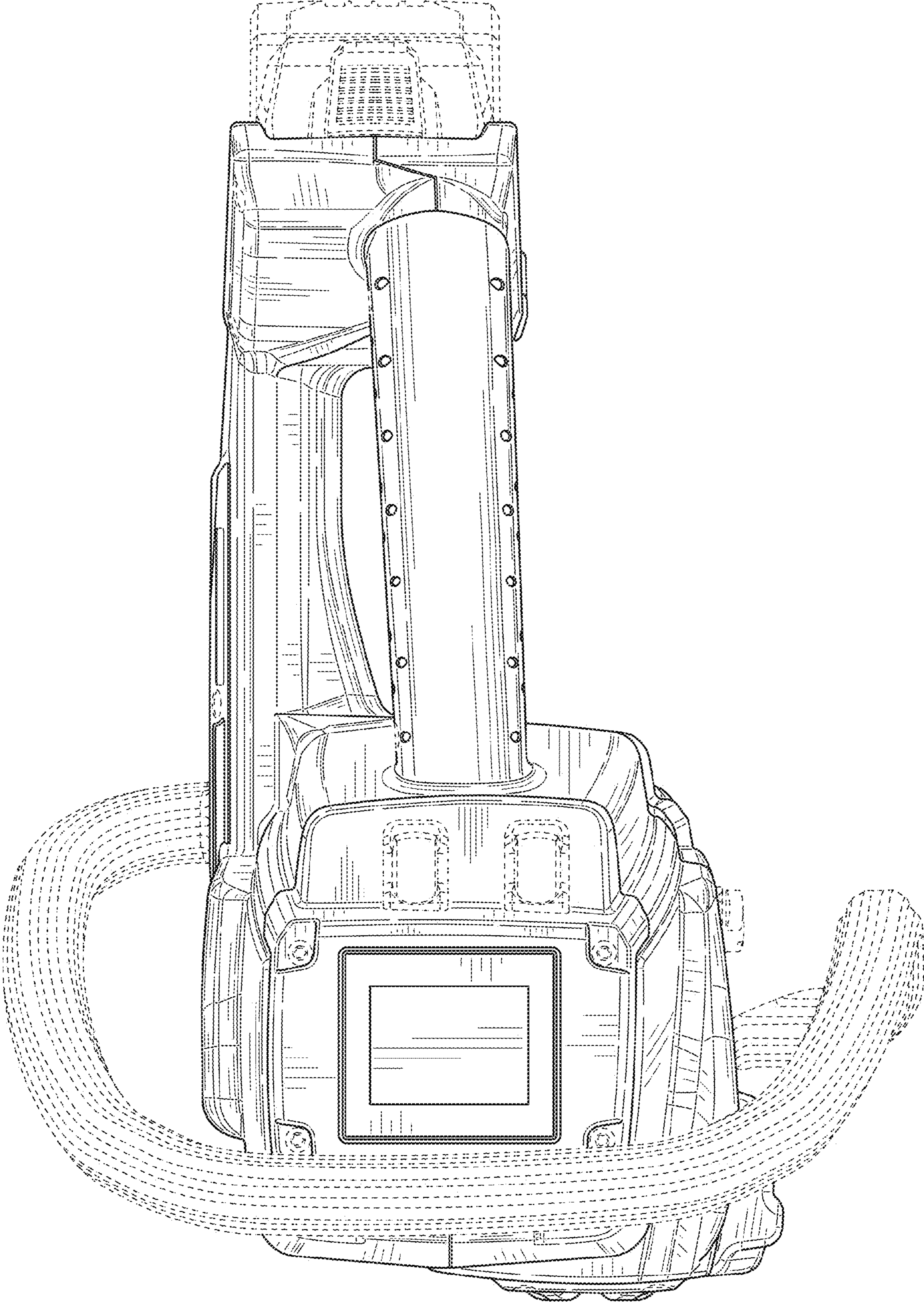


FIG. 6



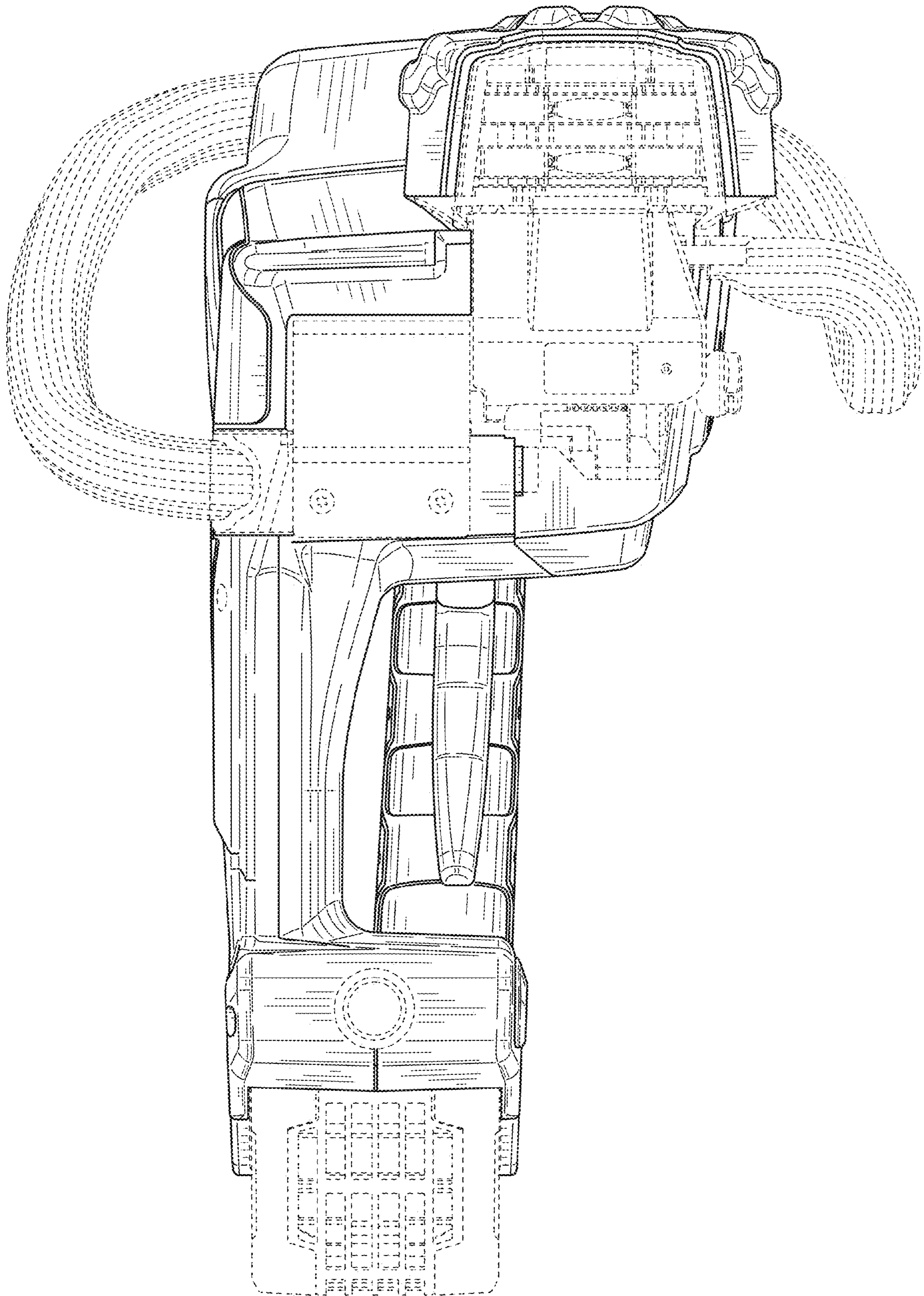


FIG. 7

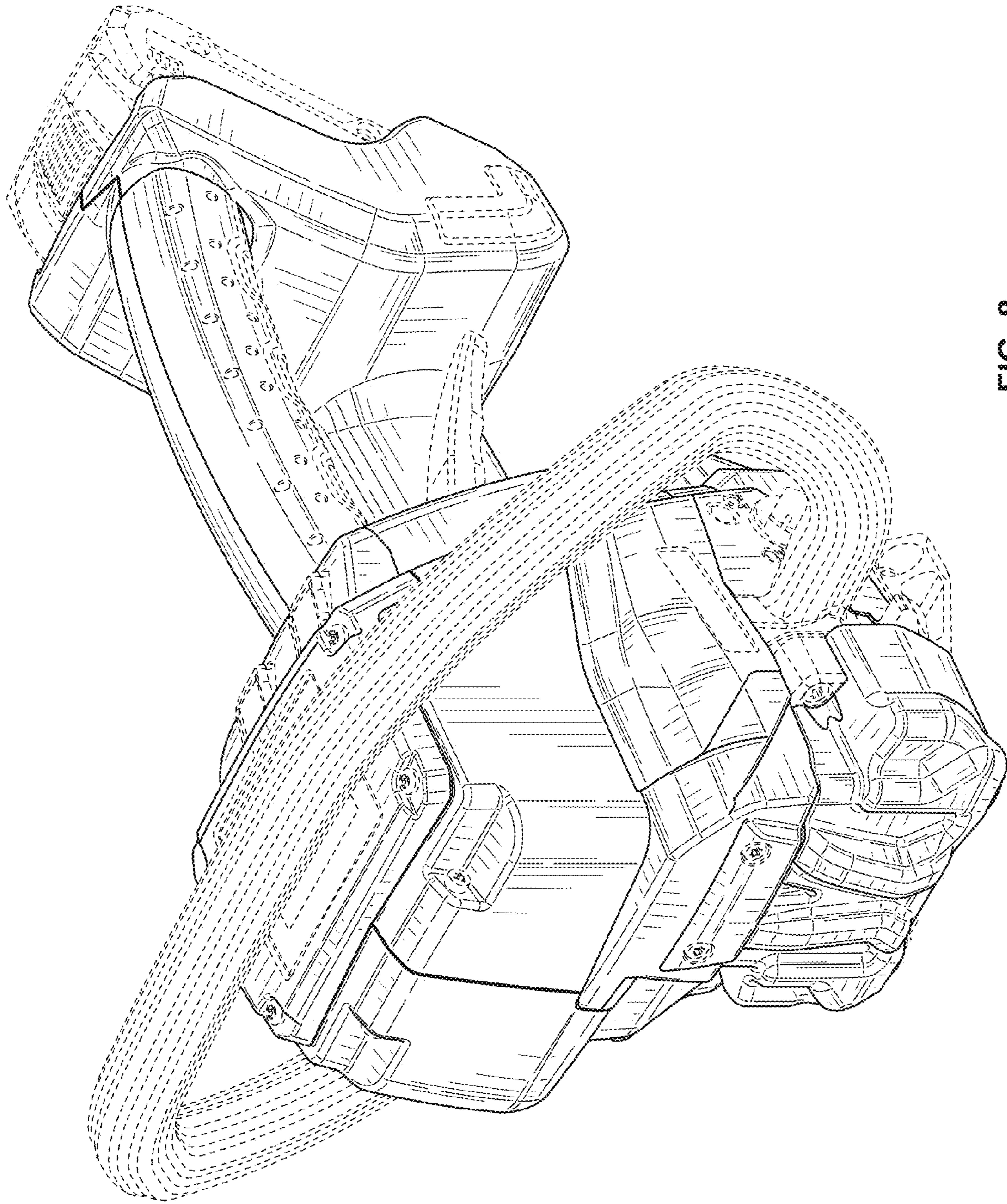


FIG. 8

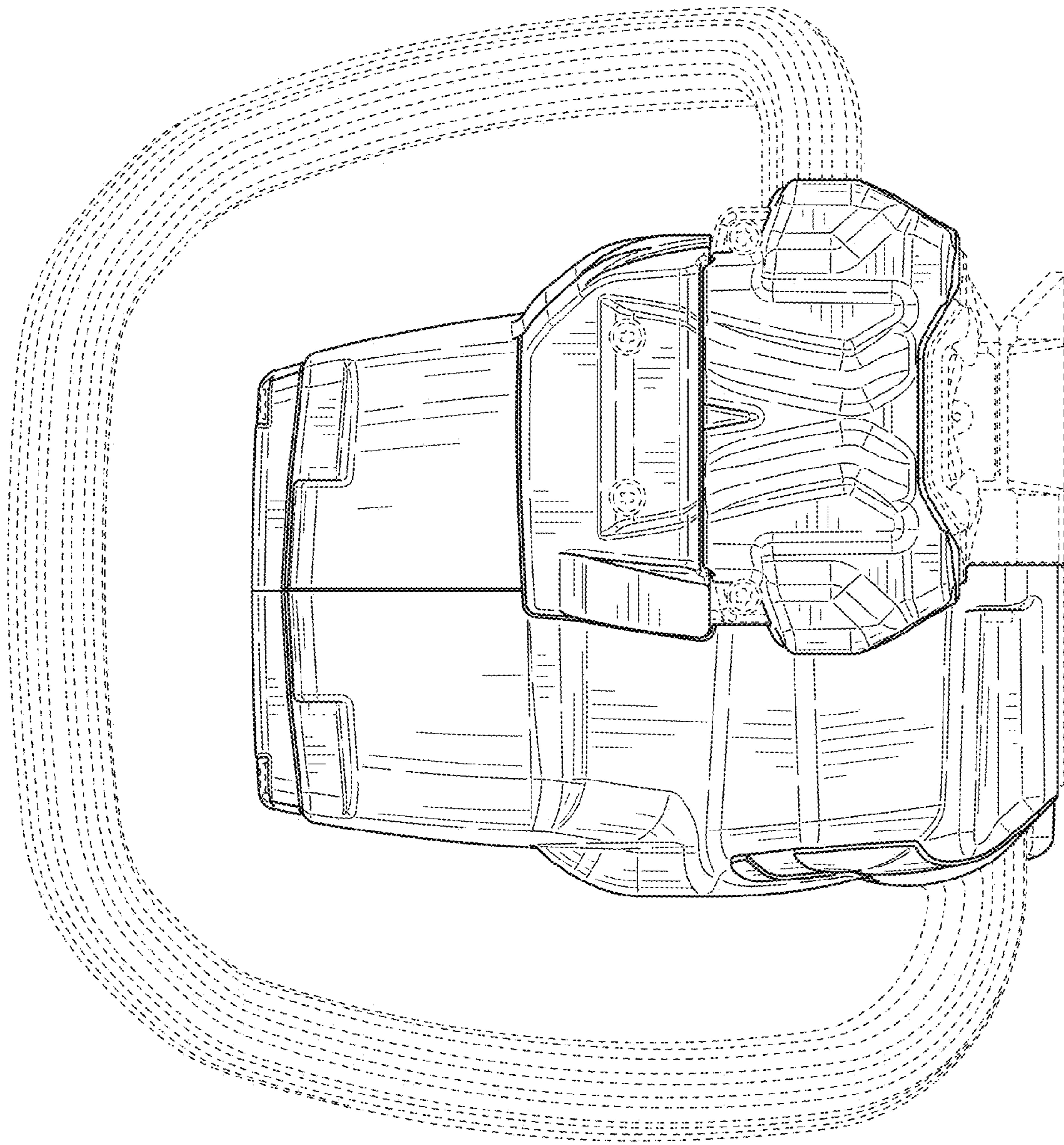


FIG. 9

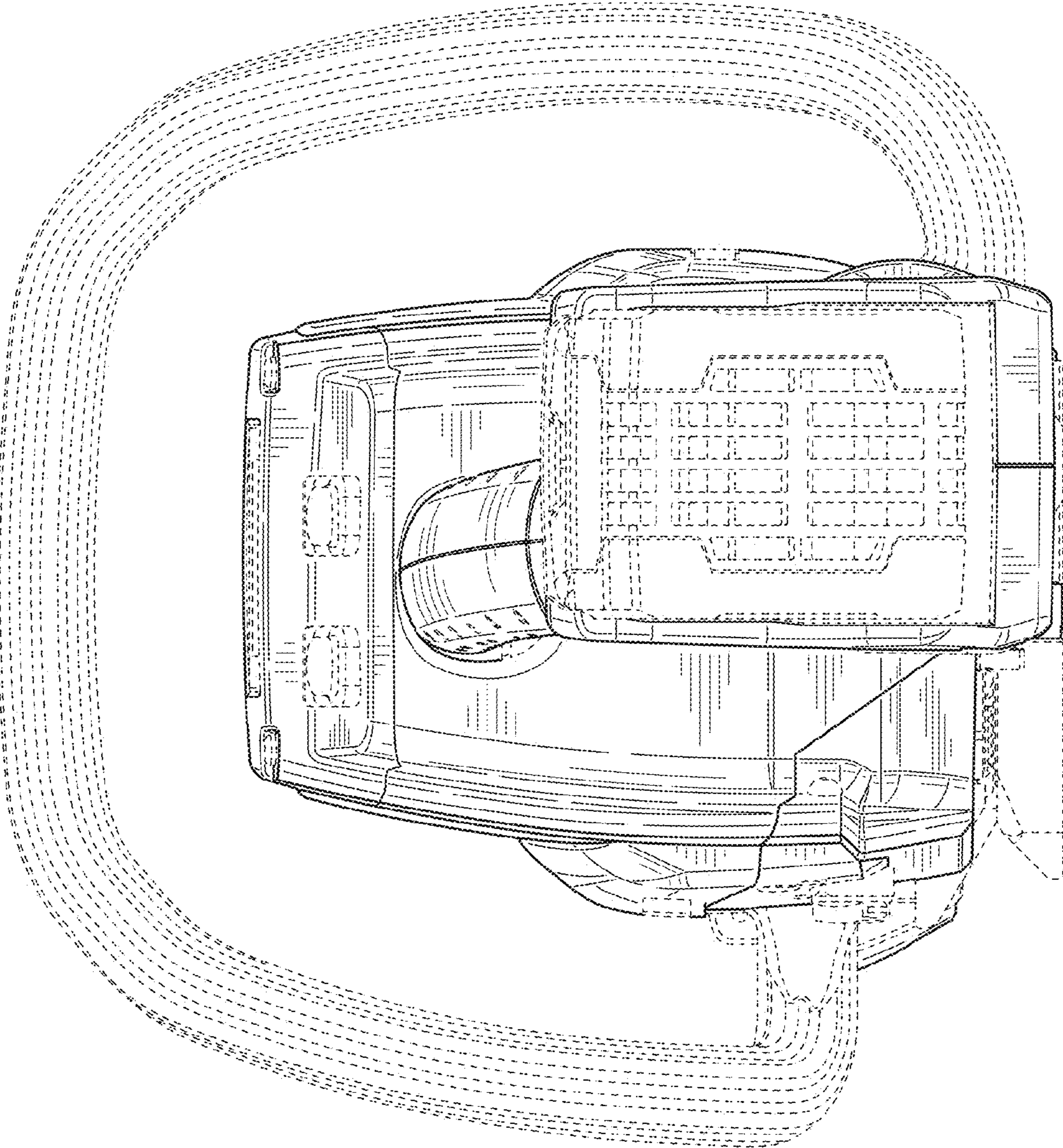


FIG. 10

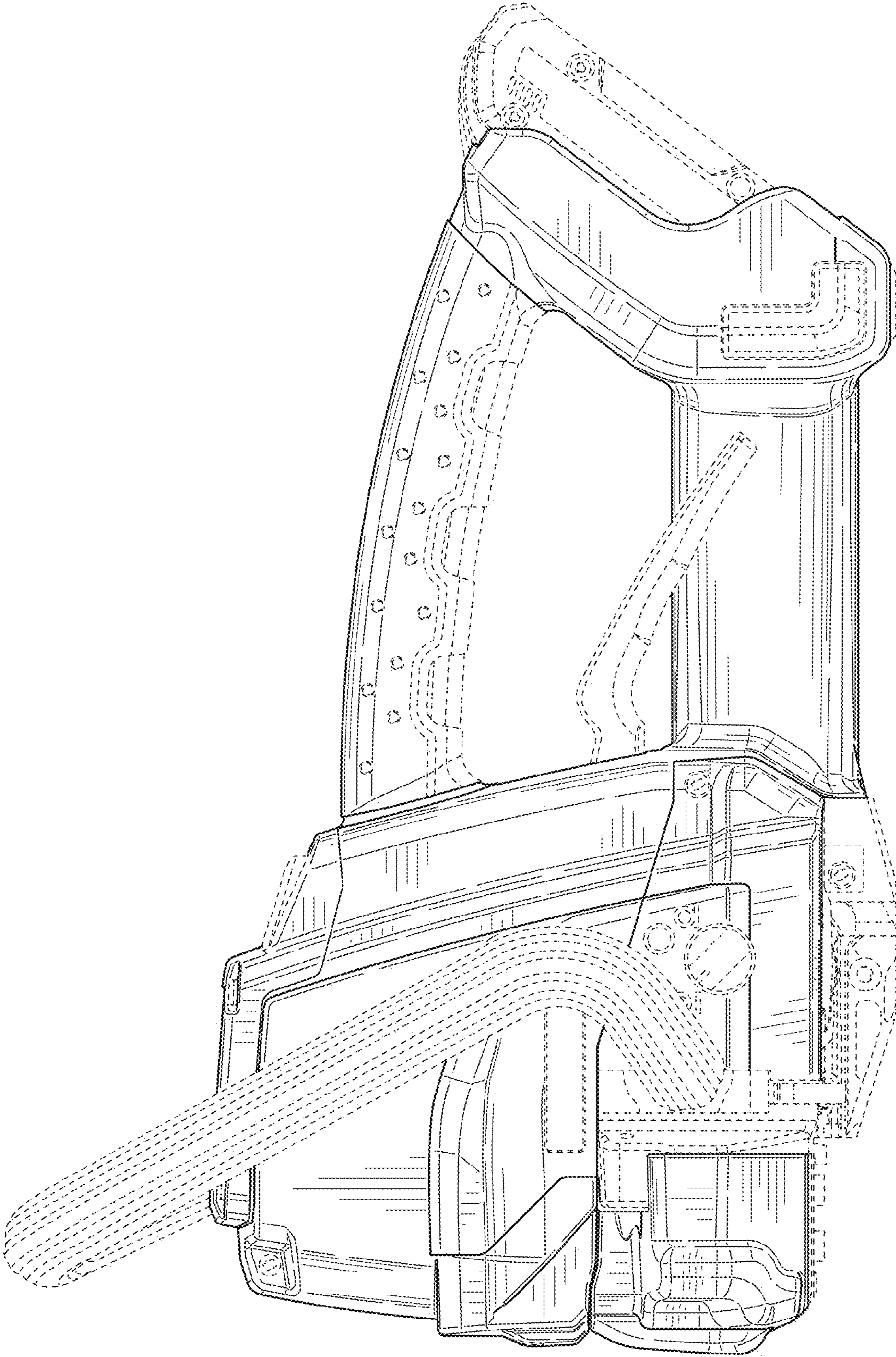


FIG. 11

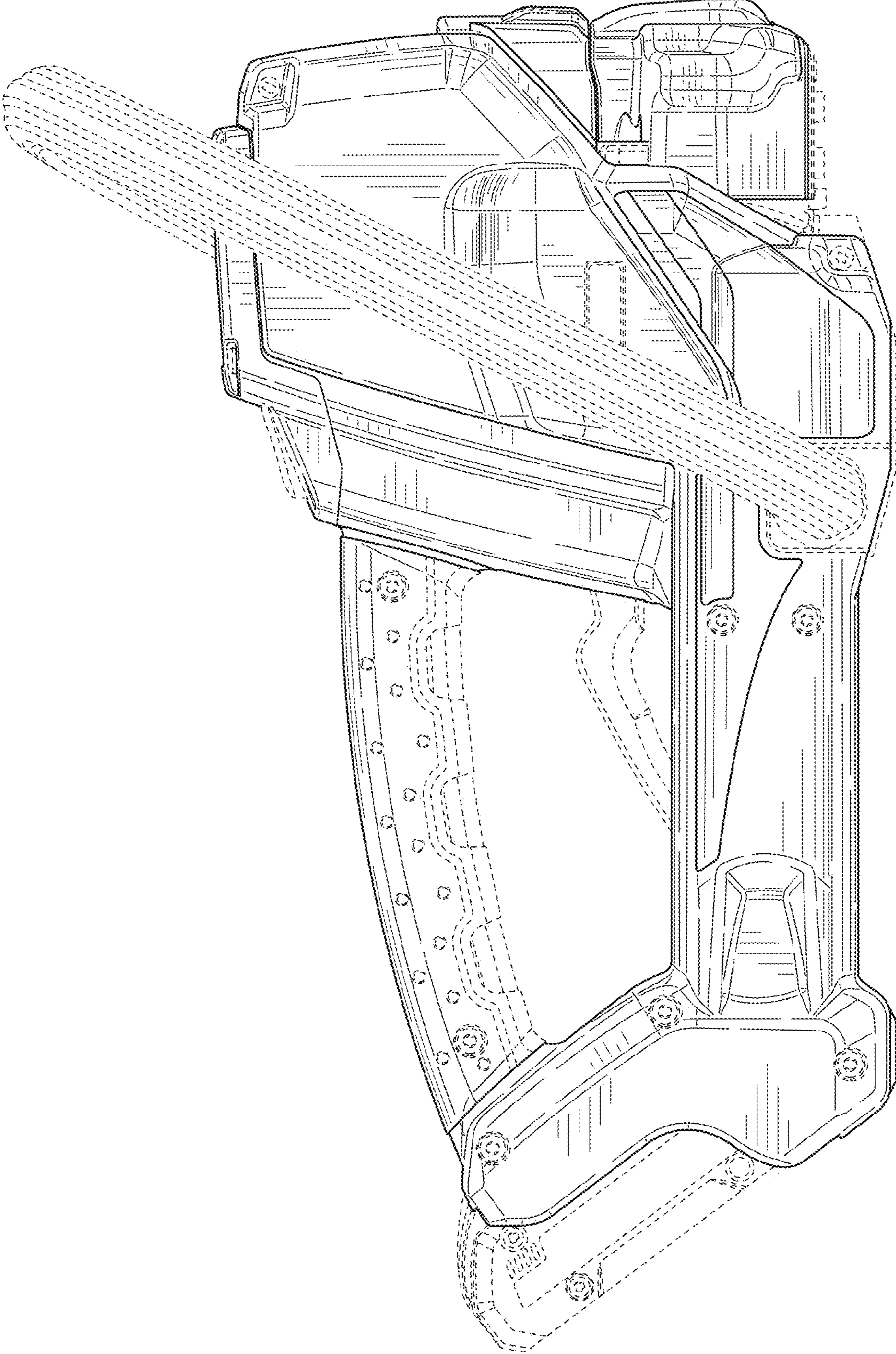


FIG. 12

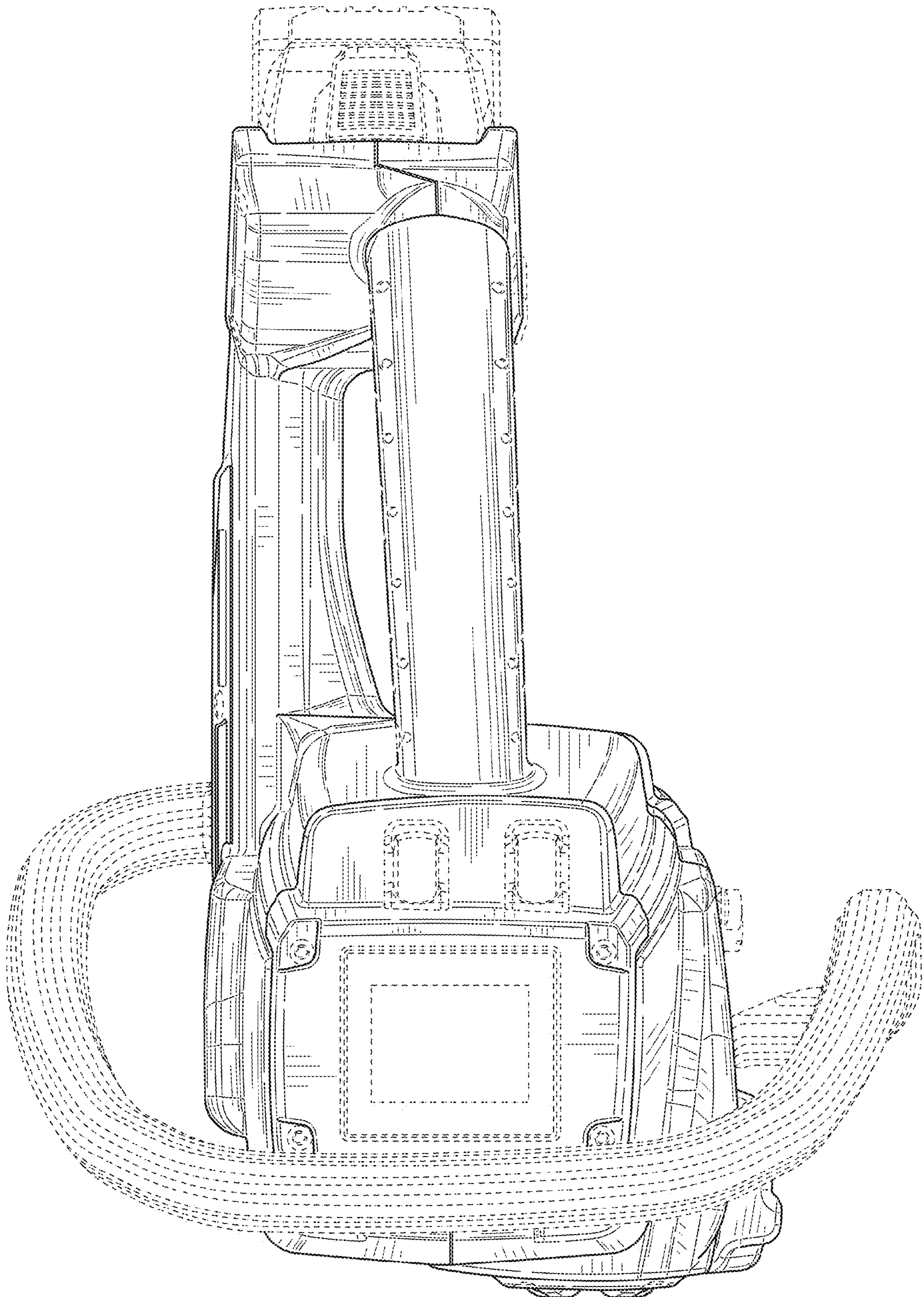


FIG. 13

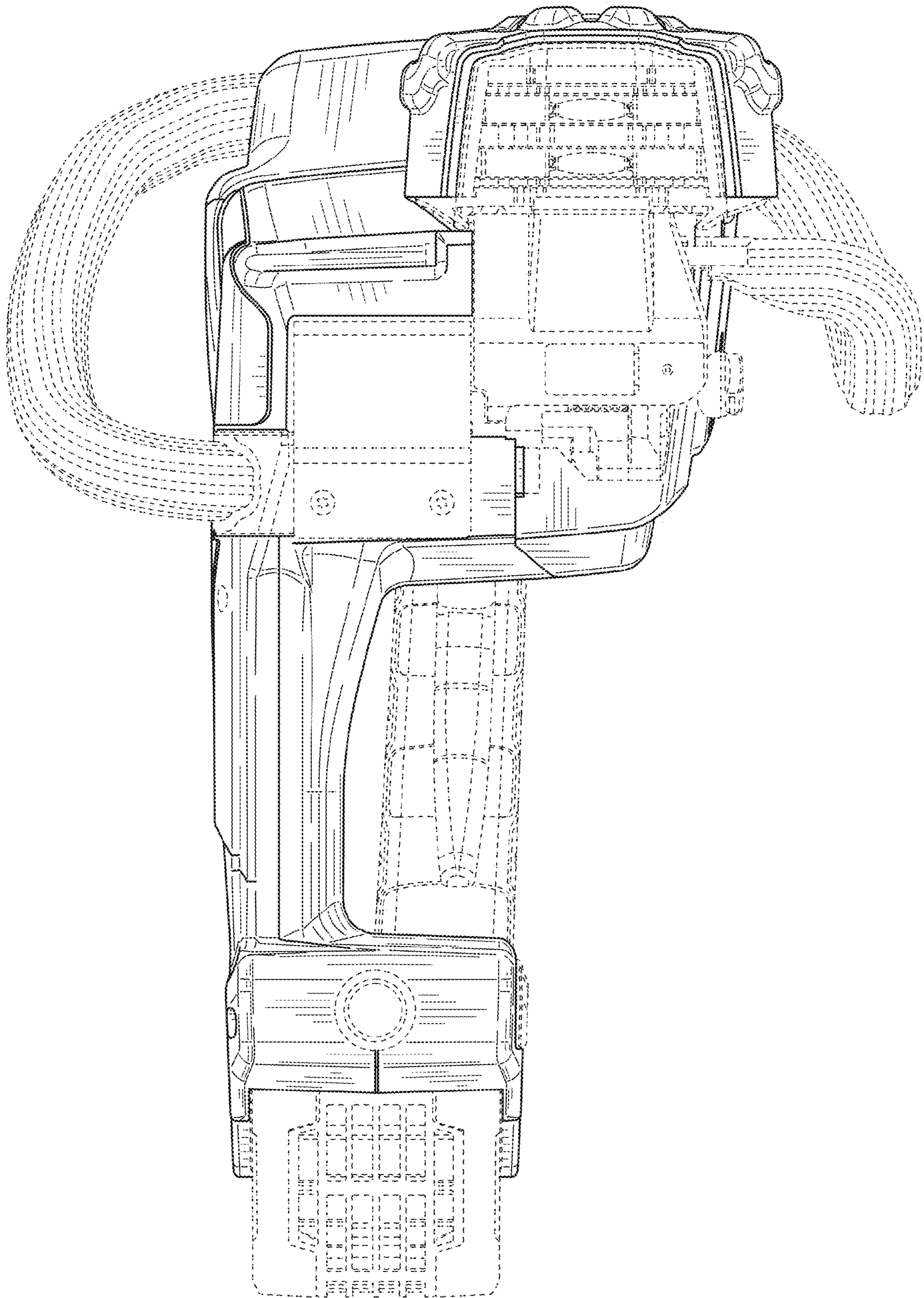


FIG. 14