



US00D953831S

(12) **United States Design Patent** (10) **Patent No.:** **US D953,831 S**
Van Fossen et al. (45) **Date of Patent:** **** Jun. 7, 2022**

- (54) **BATTERY POWERED TOOL**
- (71) Applicant: **APEX BRANDS, INC.**, Apex, NC (US)
- (72) Inventors: **Eric Van Fossen**, Huntersville, NC (US); **Brian Butler**, Charlotte, NC (US); **Scott Bublitz**, Denver, NC (US)
- (73) Assignee: **APEX BRANDS, INC.**, Apex, NC (US)
- (**) Term: **15 Years**
- (21) Appl. No.: **29/734,767**
- (22) Filed: **May 15, 2020**
- (51) **LOC (13) Cl.** **08-05**
- (52) **U.S. Cl.**
USPC **D8/68**
- (58) **Field of Classification Search**
USPC D8/61, 67, 68
CPC B62D 23/005; B62D 29/00; B62D 29/043;
B62D 31/00; B62D 33/046; B62D 35/00;
B62D 35/001; B60Q 1/0005
See application file for complete search history.

- D476,210 S * 6/2003 Chen D8/68
- D477,512 S * 7/2003 Liu D8/68
- D493,085 S * 7/2004 Copeland, II D8/68
- D496,243 S * 9/2004 Huang D8/68
- D497,529 S * 10/2004 Price D8/68
- D497,787 S * 11/2004 Liao D8/68
- 6,883,619 B1 * 4/2005 Huang B25B 21/02
173/168

(Continued)

OTHER PUBLICATIONS

Bradley Ford. "The 10 Best Cordless Impact Wrenches." Popular Mechanics., Mar. 19, 2020 [online], [retrieved on Jun. 6, 2021]. Retrieved from the Internet <URL: <https://www.popularmechanics.com/home/tools/reviews/g2028/the-best-impact-wrenches/>>.*

(Continued)

Primary Examiner — Darlington Ly

(74) *Attorney, Agent, or Firm* — Burr & Forman LLP

(57) **CLAIM**

The ornamental design for a battery powered tool, as shown and described.

DESCRIPTION

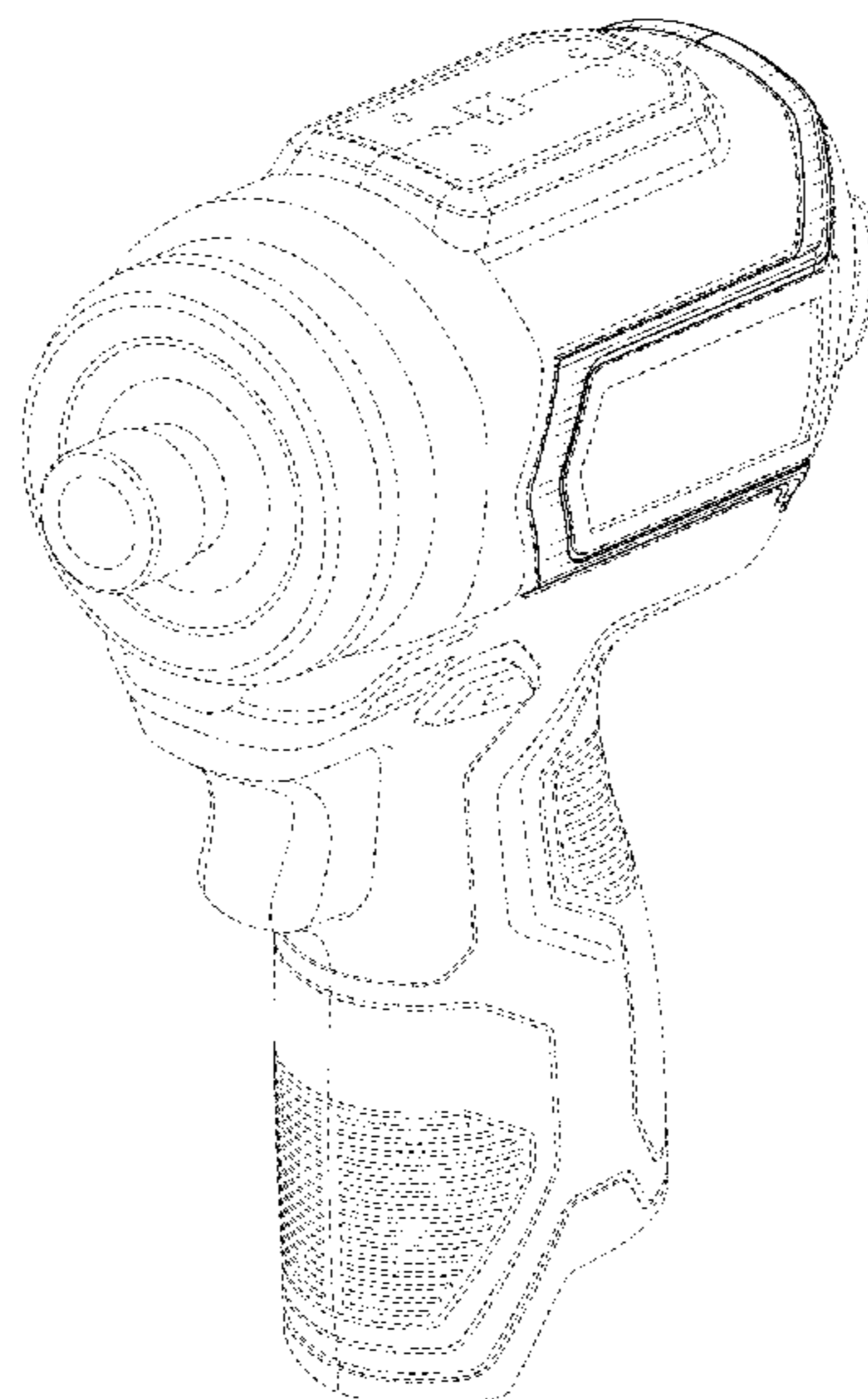
FIG. 1 is a perspective view of a battery powered tool embodying our new design;
FIG. 2 is a left side elevation view thereof;
FIG. 3 is a right side elevation view thereof;
FIG. 4 is a front elevation view thereof;
FIG. 5 is a rear elevation view thereof;
FIG. 6 is a top plan view thereof; and,
FIG. 7 is a bottom plan view thereof.
The dashed broken lines of the battery powered tool in FIGS. 1-7 are illustrative of portions of the battery powered tool that form no part of the claimed design.
The dot-dash broken lines in the drawings illustrate boundaries between the portions of the battery powered tool that are claimed and not claimed.

1 Claim, 6 Drawing Sheets

(56) **References Cited**

U.S. PATENT DOCUMENTS

- D294,001 S * 2/1988 Greenlee D8/68
- D388,678 S * 1/1998 Bantly D8/68
- D393,580 S * 4/1998 Bantly D8/68
- 6,082,468 A * 7/2000 Pusateri B25B 21/02
173/170
- D434,297 S * 11/2000 Iritani D8/68
- D434,298 S * 11/2000 Izumisawa D8/68
- D436,818 S * 1/2001 Izumisawa D8/68
- D459,179 S * 6/2002 Morgan D8/68
- D461,110 S * 8/2002 Izumisawa D8/68
- D465,982 S * 11/2002 Taga D8/68
- D469,673 S * 2/2003 Sliker D8/68
- D472,782 S * 4/2003 Pusateri D8/68



(56)

References Cited

U.S. PATENT DOCUMENTS

D507,732 S * 7/2005 Nowak D8/68
 D521,339 S * 5/2006 Chen D8/68
 D534,047 S * 12/2006 Chi D8/68
 D540,641 S * 4/2007 Clay D8/68
 7,673,702 B2 * 3/2010 Johnson B25B 21/00
 173/93
 D716,125 S * 10/2014 Yaschur D8/68
 D774,860 S * 12/2016 Colin D8/68
 D775,919 S * 1/2017 Lee D8/68
 D837,622 S * 1/2019 Chang D8/68
 D853,217 S * 7/2019 Paoli D8/68
 D899,208 S * 10/2020 Thompson D8/68
 D899,210 S * 10/2020 Thompson D8/68
 D906,076 S * 12/2020 James D8/68
 D915,853 S * 4/2021 Lee D8/68
 D929,834 S * 9/2021 James D8/68
 D929,835 S * 9/2021 James D8/68
 D929,836 S * 9/2021 James D8/68

2002/0152848 A1* 10/2002 Johnson B25B 23/0035
 81/465
 2003/0010513 A1* 1/2003 Taga B25B 21/00
 173/168
 2003/0010514 A1* 1/2003 Taga B25B 21/02
 173/213

OTHER PUBLICATIONS

“The Best Cordless Impact Wrench Reviews & Buyer’s Guide.”
 Cordless Drill Zone., Feb. 14, 2020 [online], [retrieved on Jun. 6,
 2021]. Retrieved from the Internet <URL: <https://cordlessdrillzone.com/best-cordless-impact-wrench/>>.*
 “10 Best Air Impact Wrench in 2018 [Reviewed After Research].”
 Air Compressor Agency., Feb. 23, 2018 [online], [retrieved on Jun.
 6, 2021]. Retrieved from the Internet <URL: <https://topaircompressorreviews.com/best-air-impact-wrench-reviews/>>.*
 Todd Fratzel. “Impact Driver Head to Head.” Tool Box Buzz., Jun.
 17, 2017 [online], [retrieved on Jun. 6, 2021]. Retrieved from the
 Internet <URL: <https://www.toolboxbuzz.com/cordless-tools/impact-driver/impact-driver-head-to-head/>>.*

* cited by examiner

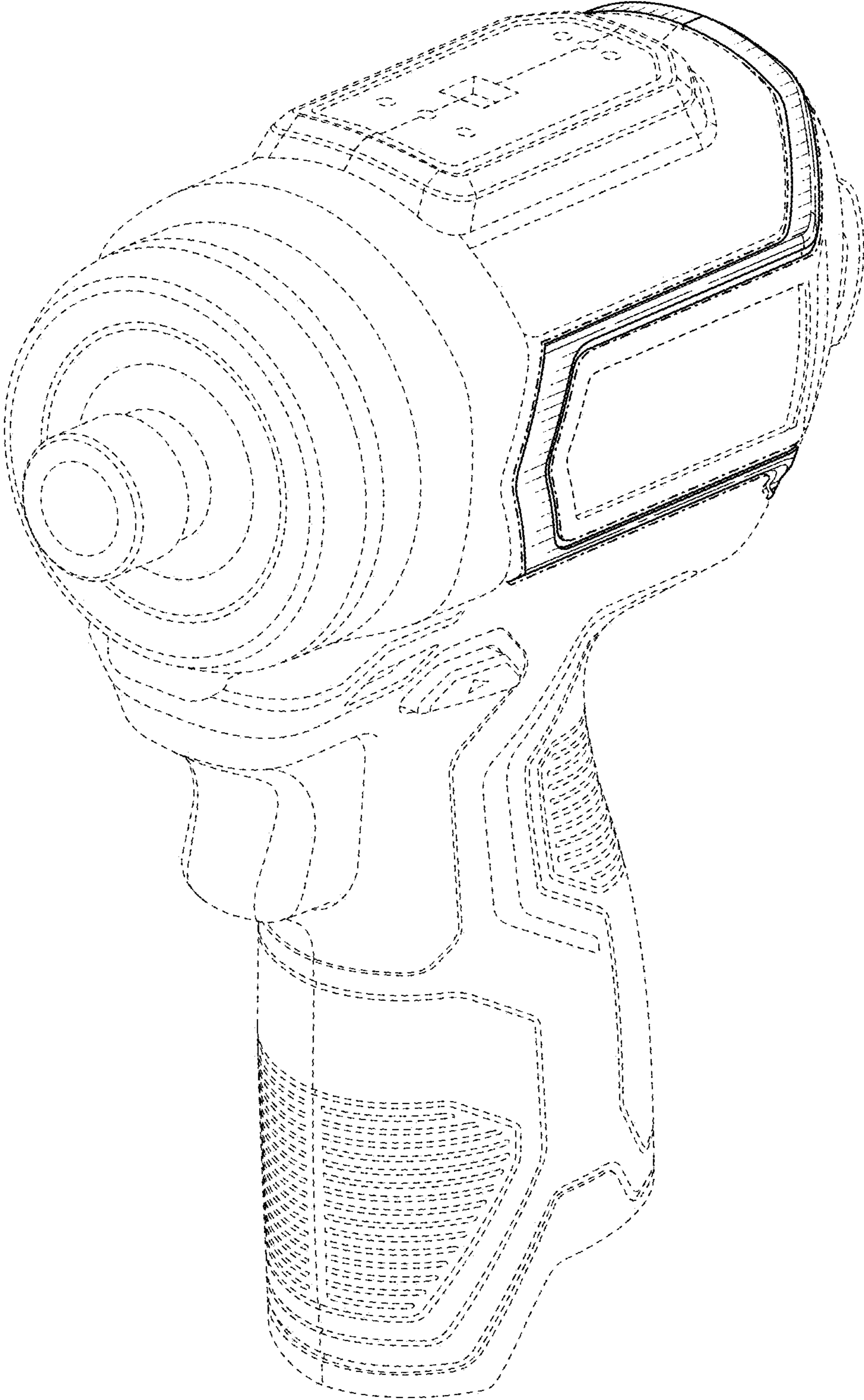


FIG. 1

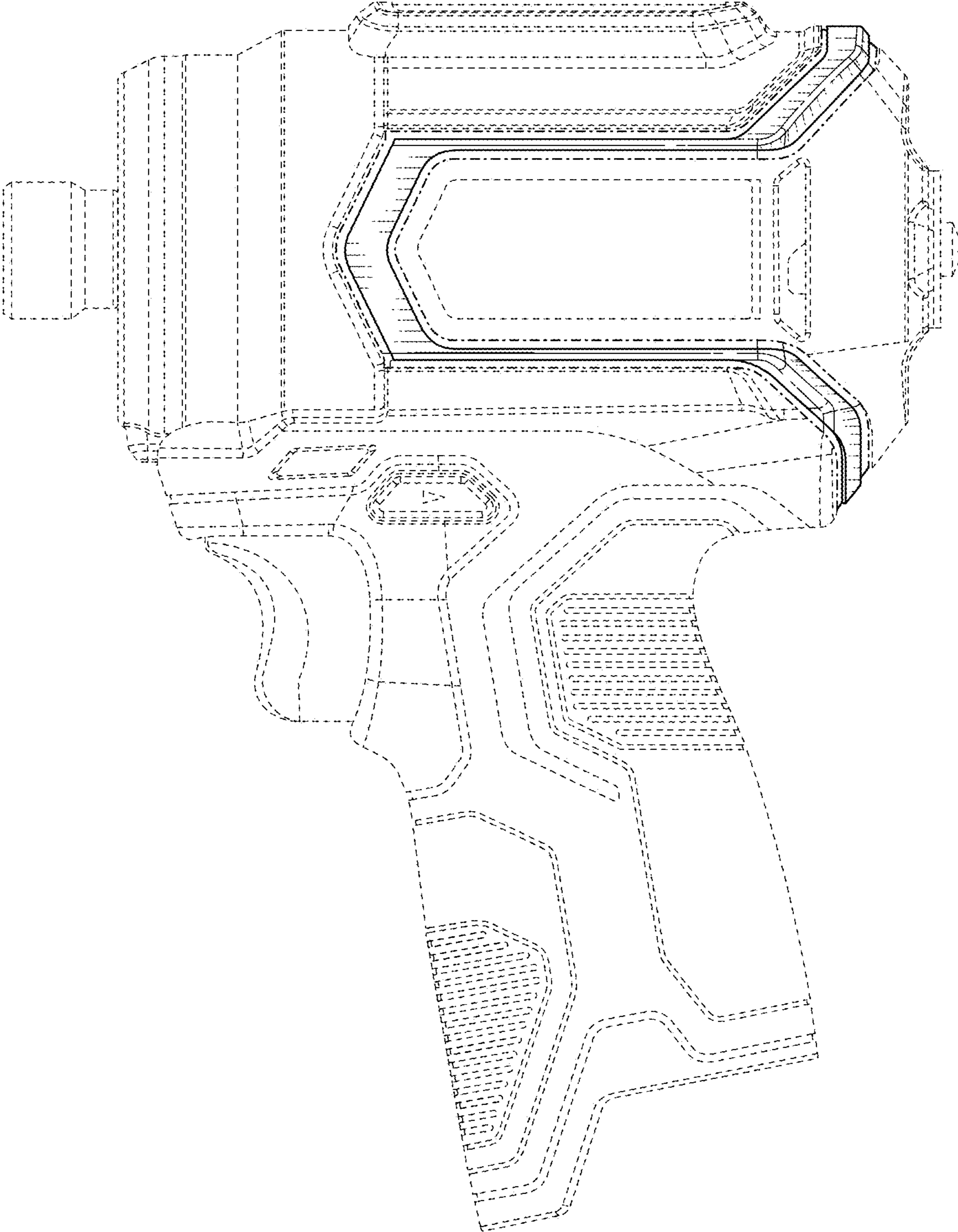


FIG. 2

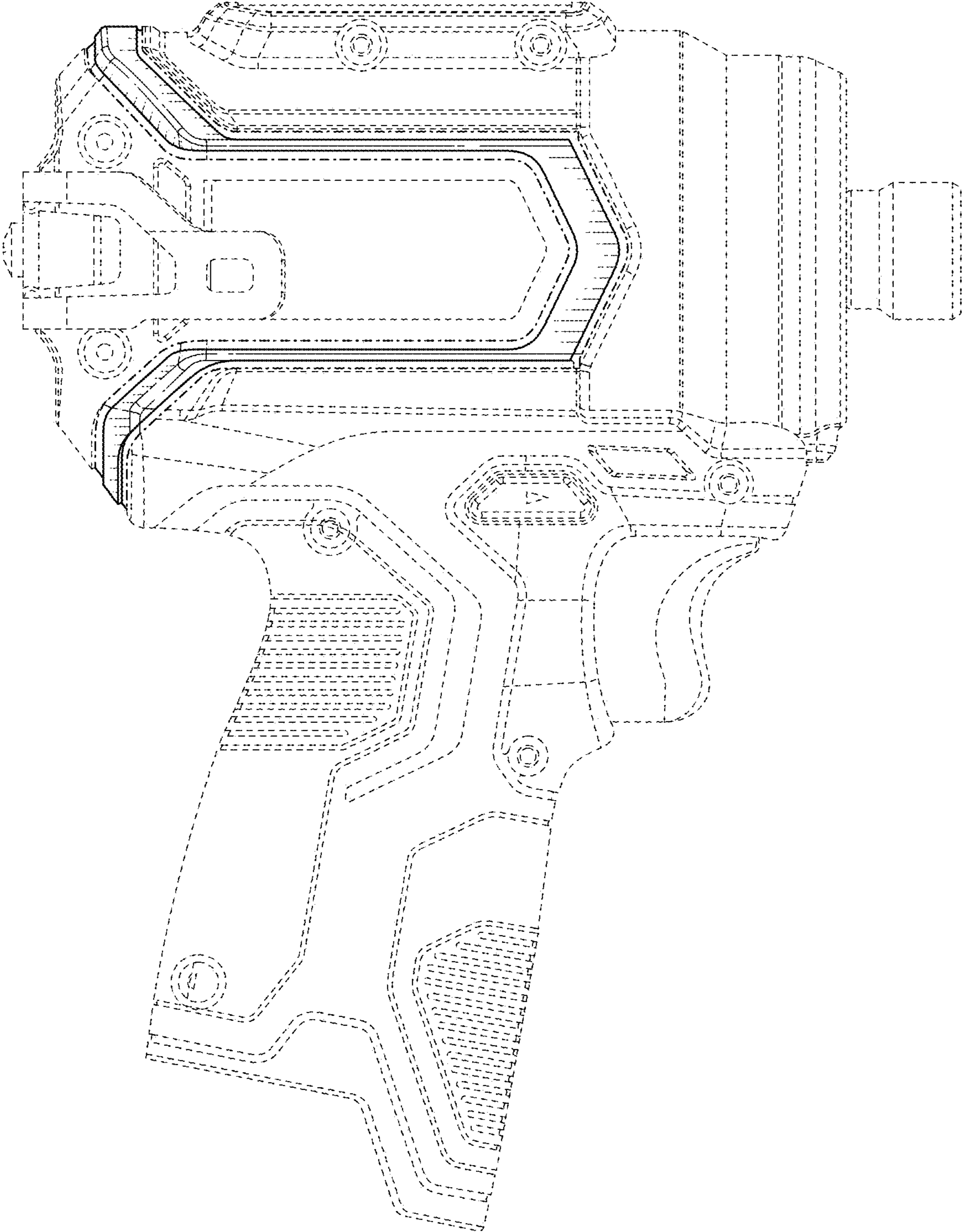


FIG. 3

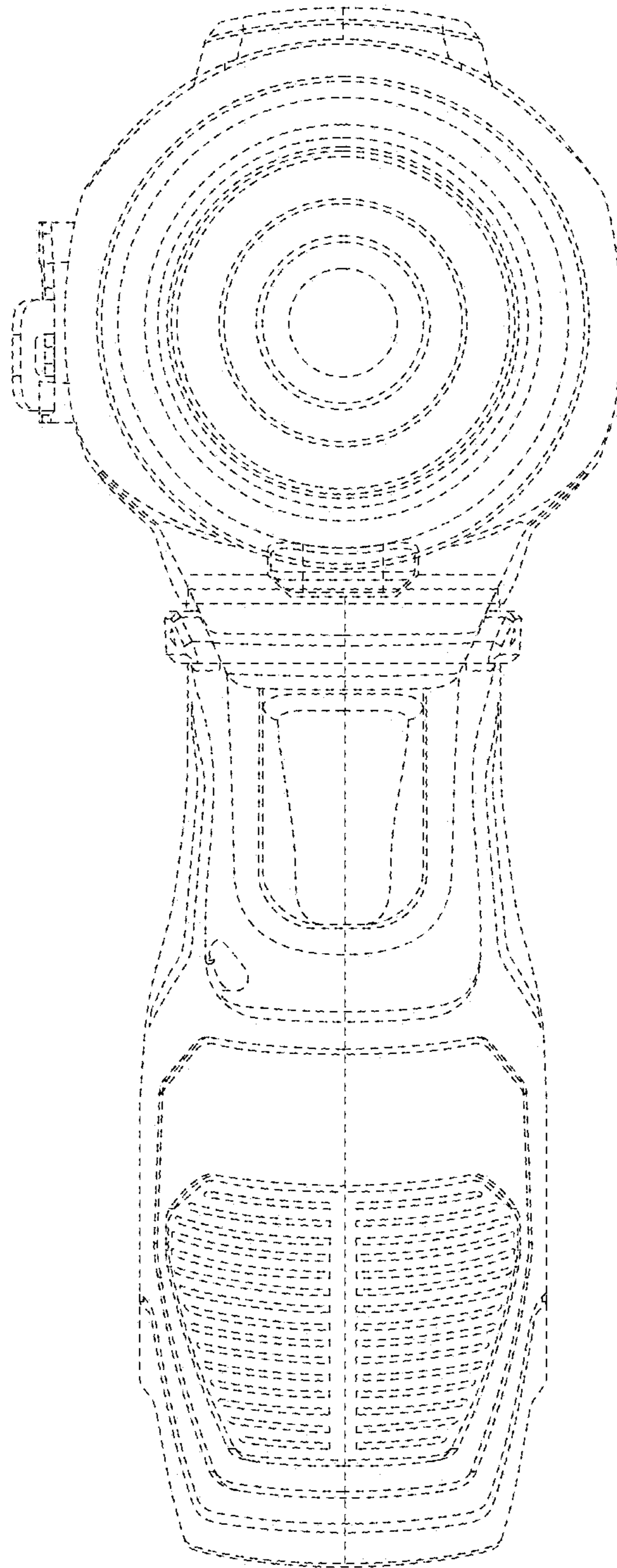


FIG. 4

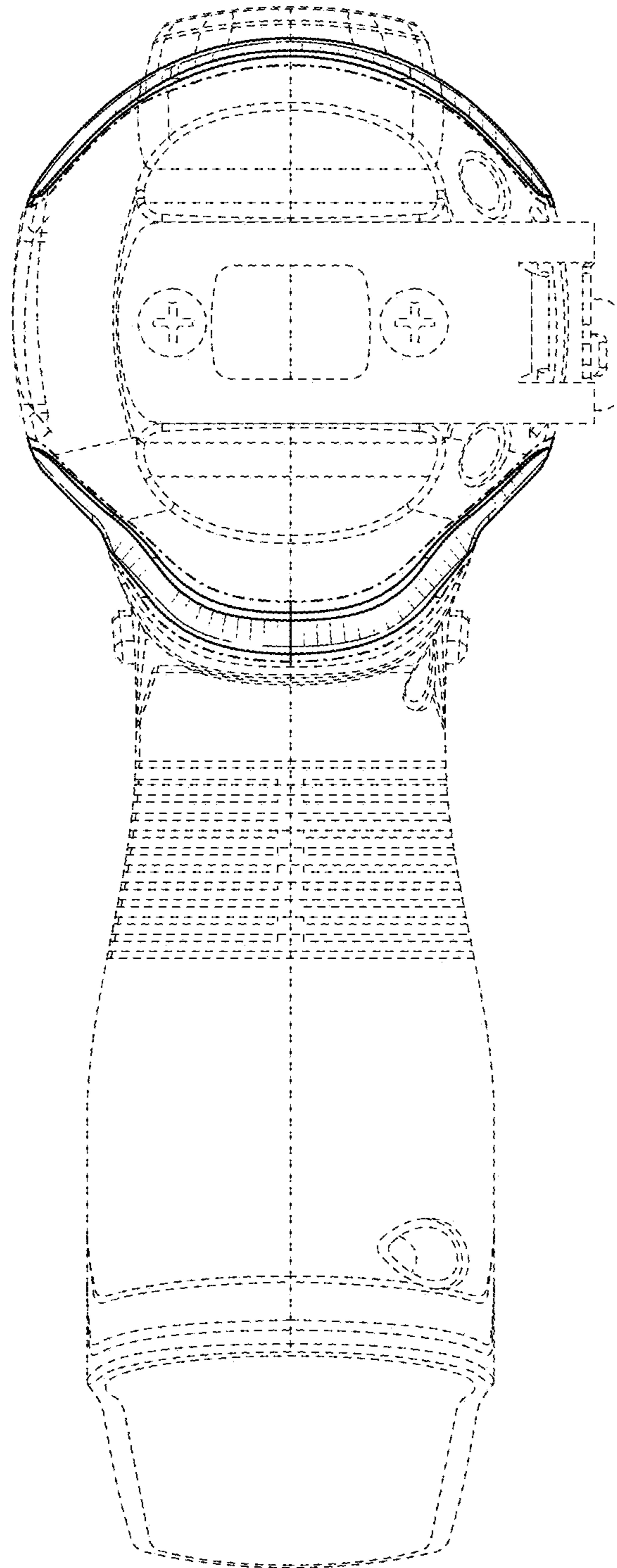


FIG. 5

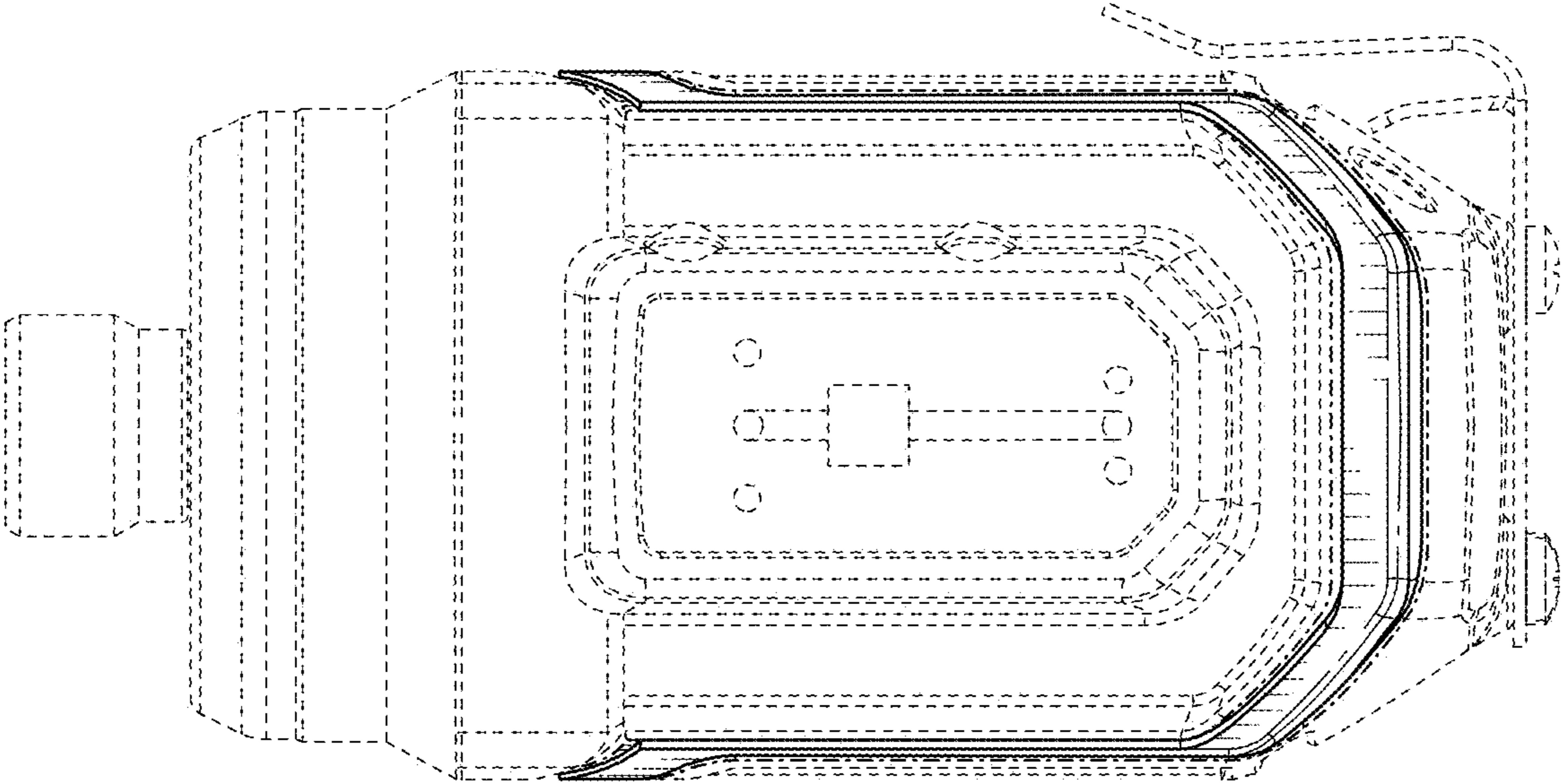


FIG. 6

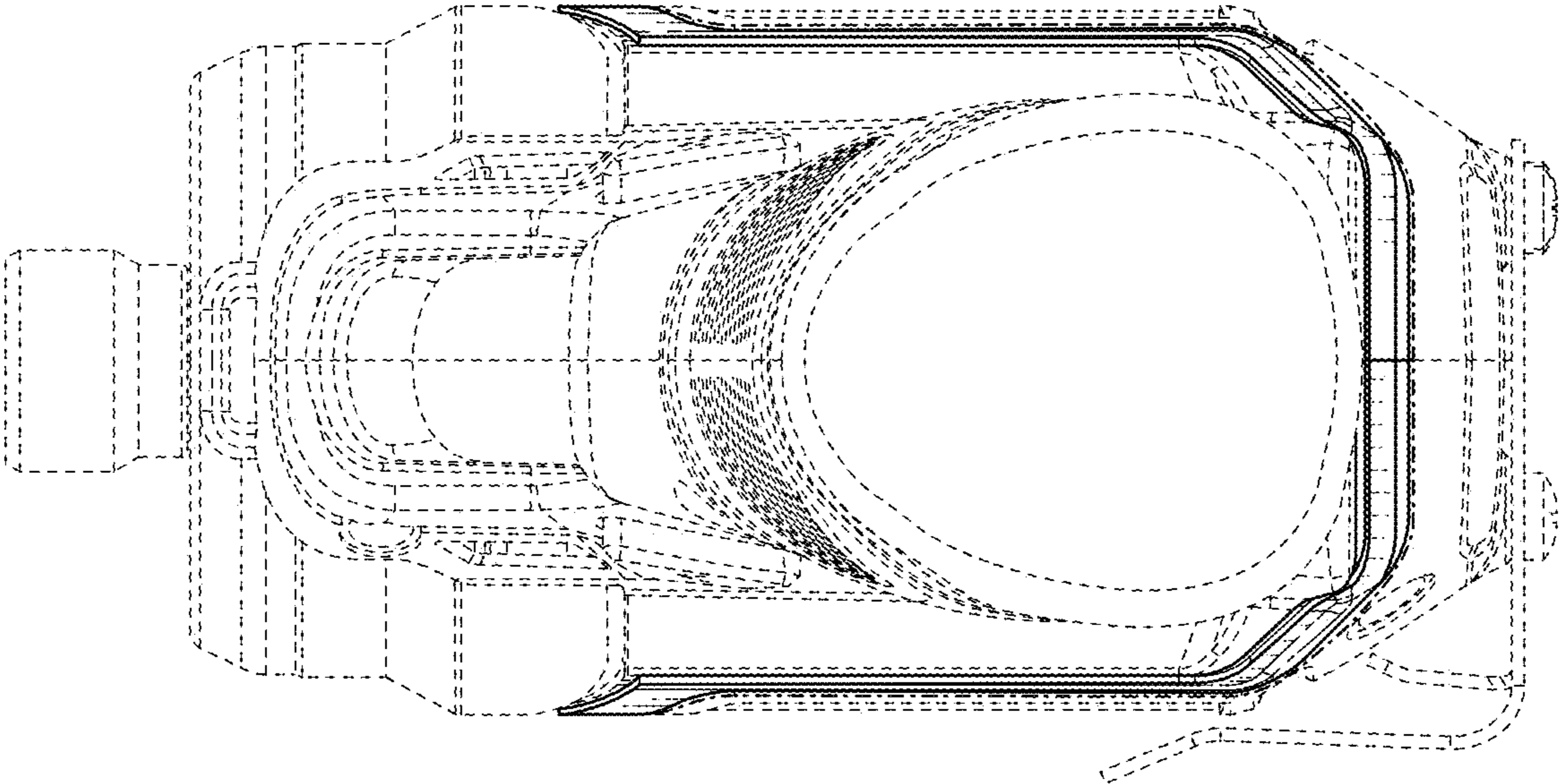


FIG. 7