



US00D953830S

(12) **United States Design Patent**  
**Lundbaeck**

(10) **Patent No.:** **US D953,830 S**  
(45) **Date of Patent:** **\*\* Jun. 7, 2022**

(54) **ANGLE GRINDER**

(71) Applicant: **Robert Bosch GmbH**, Stuttgart (DE)

(72) Inventor: **Andreas Lundbaeck**, Stockholm (SE)

(73) Assignee: **Robert Bosch GmbH**, Stuttgart (DE)

(\*\*) Term: **15 Years**

(21) Appl. No.: **29/724,393**

(22) Filed: **Feb. 14, 2020**

(30) **Foreign Application Priority Data**

Aug. 14, 2019 (EM) ..... 006721726

(51) **LOC (13) Cl.** ..... **08-05**

(52) **U.S. Cl.**  
USPC ..... **D8/62**

(58) **Field of Classification Search**  
USPC ..... D4/102, 100; D8/61-62, 64, 66  
CPC ..... B24B 23/028; B24B 47/12; B24B 7/186;  
B25F 5/001; B25F 5/02  
See application file for complete search history.

(56) **References Cited**

**U.S. PATENT DOCUMENTS**

D568,703 S *	5/2008	Jiang	.....	D8/62
D593,826 S *	6/2009	Aglassinger	.....	D8/62
D605,013 S *	12/2009	Kokawa	.....	D8/62
D647,772 S *	11/2011	Hayakawa	.....	D8/62
D660,119 S *	5/2012	Fukumoto	.....	D8/62
D767,961 S *	10/2016	Cooksey	.....	D8/62
D787,908 S *	5/2017	Hebert	.....	D8/62
D813,631 S *	3/2018	Croghan	.....	D8/62
D813,632 S *	3/2018	Croghan	.....	D8/64
D824,231 S *	7/2018	Waldron	.....	D8/62
D825,305 S *	8/2018	Tasic	.....	D8/62
D891,892 S *	8/2020	Fischer	.....	D8/62
D892,584 S *	8/2020	Matteo	.....	D8/62

D917,998 S *	5/2021	James	.....	D8/62
2010/0105300 A1 *	4/2010	Esenwein	.....	B24B 55/052 451/359
2015/0256111 A1 *	9/2015	Forster	.....	H02P 6/15 318/400.22

(Continued)

**OTHER PUBLICATIONS**

Riiiai 12V Mini Angle Grinder Machine, Date Visited: May 19, 2021, Amazon, Date Available: Mar. 17, 2021, <https://www.amazon.co.uk/Riiiai-Brushless-Cordless-Polishing-Batteries> (Year: 2021).\*

*Primary Examiner* — Susan Bennett Hattan

*Assistant Examiner* — Elizabeth S Ko

(74) *Attorney, Agent, or Firm* — Maginot, Moore & Beck LLP

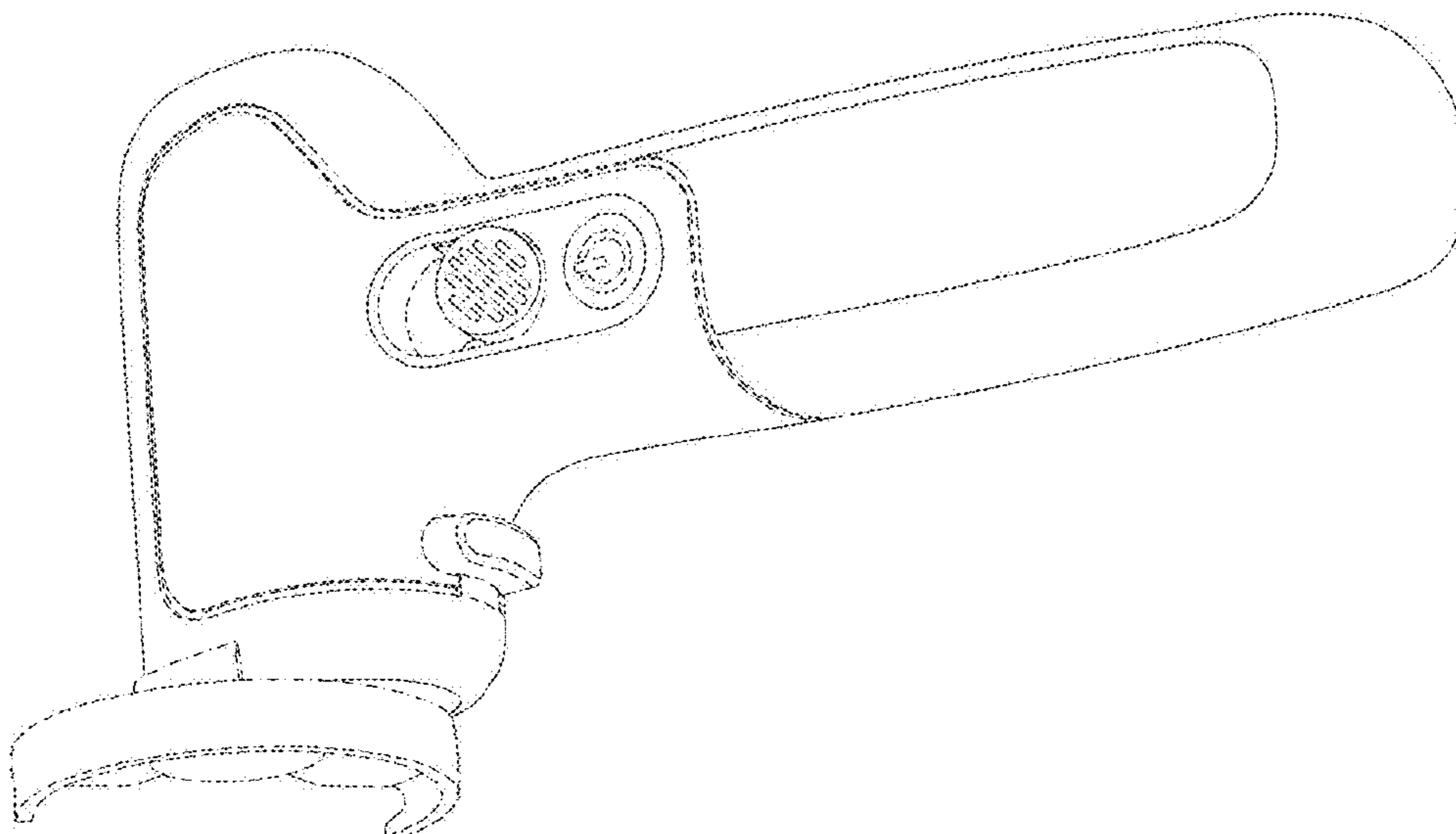
(57) **CLAIM**

The ornamental design for an angle grinder, as shown and described.

**DESCRIPTION**

FIG. 1 is a perspective view of an angle grinder showing my new design;  
FIG. 2 is a left side elevational view of the angle grinder of FIG. 1;  
FIG. 3 is a right side elevational view of the angle grinder of FIG. 1;  
FIG. 4 is a front side elevational view of the angle grinder of FIG. 1;  
FIG. 5 is a rear side elevational view of the angle grinder of FIG. 1;  
FIG. 6 is a top plan view of the angle grinder of FIG. 1; and,  
FIG. 7 is a bottom plan view of the angle grinder of FIG. 1.  
The dashed broken lines shown in the drawings illustrate portions of the angle grinder that form no part of the claimed design. The dash-dot broken lines define the bounds of the claimed design and form no part thereof.

**1 Claim, 7 Drawing Sheets**



(56)

**References Cited**

U.S. PATENT DOCUMENTS

2019/0375089 A1\* 12/2019 Boeck ..... B25F 5/02

\* cited by examiner

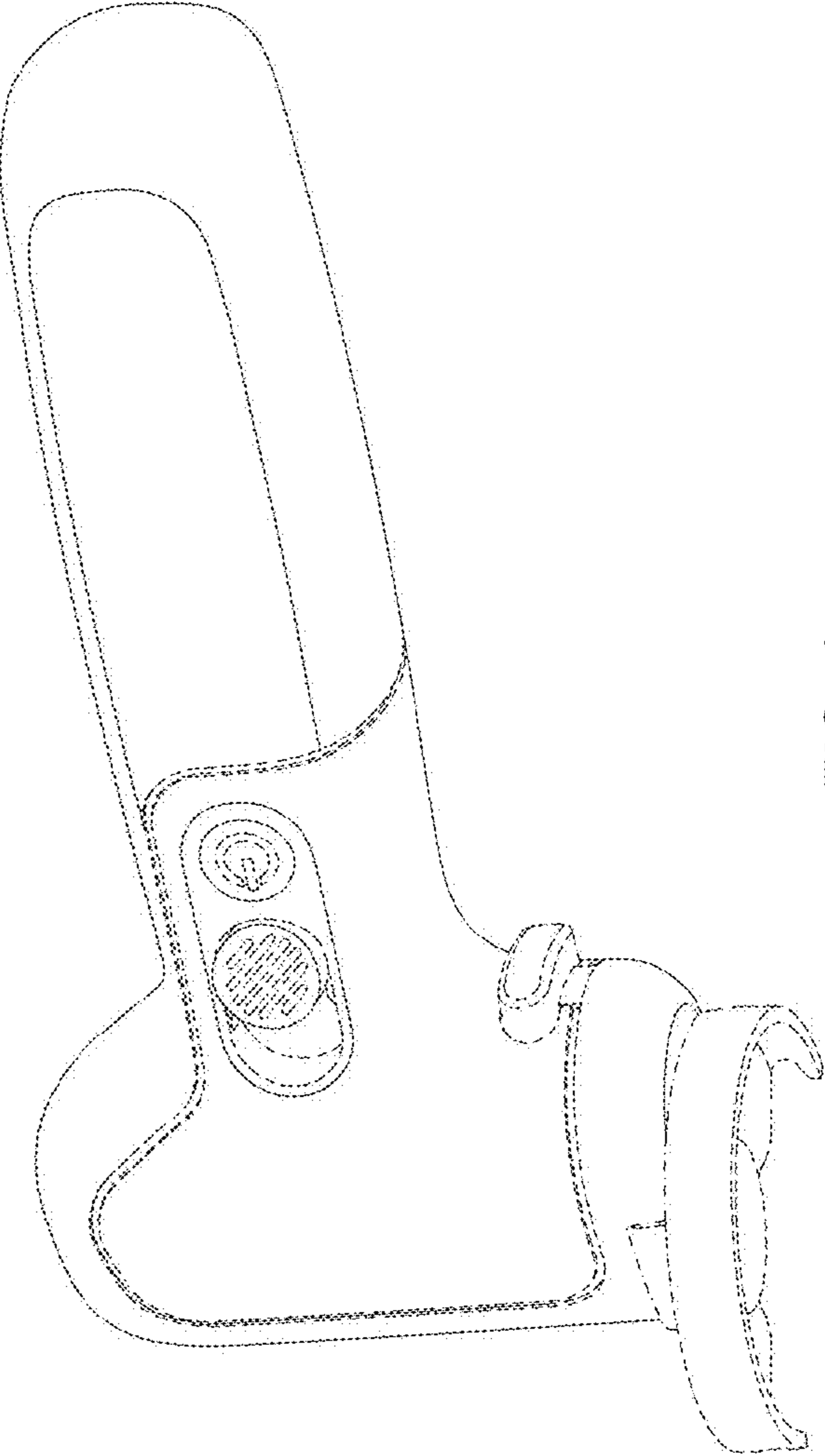


FIG. 1

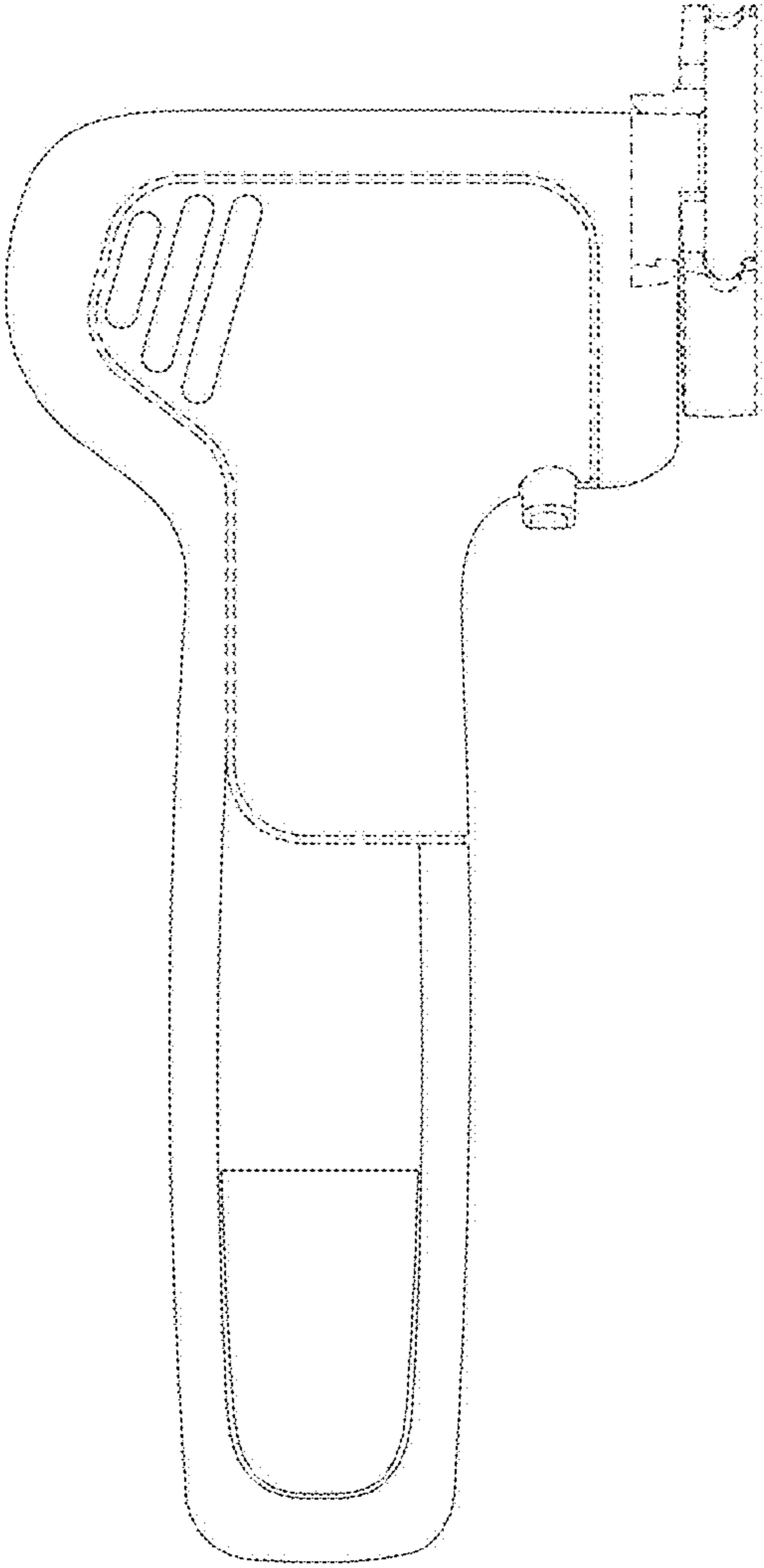


FIG. 2

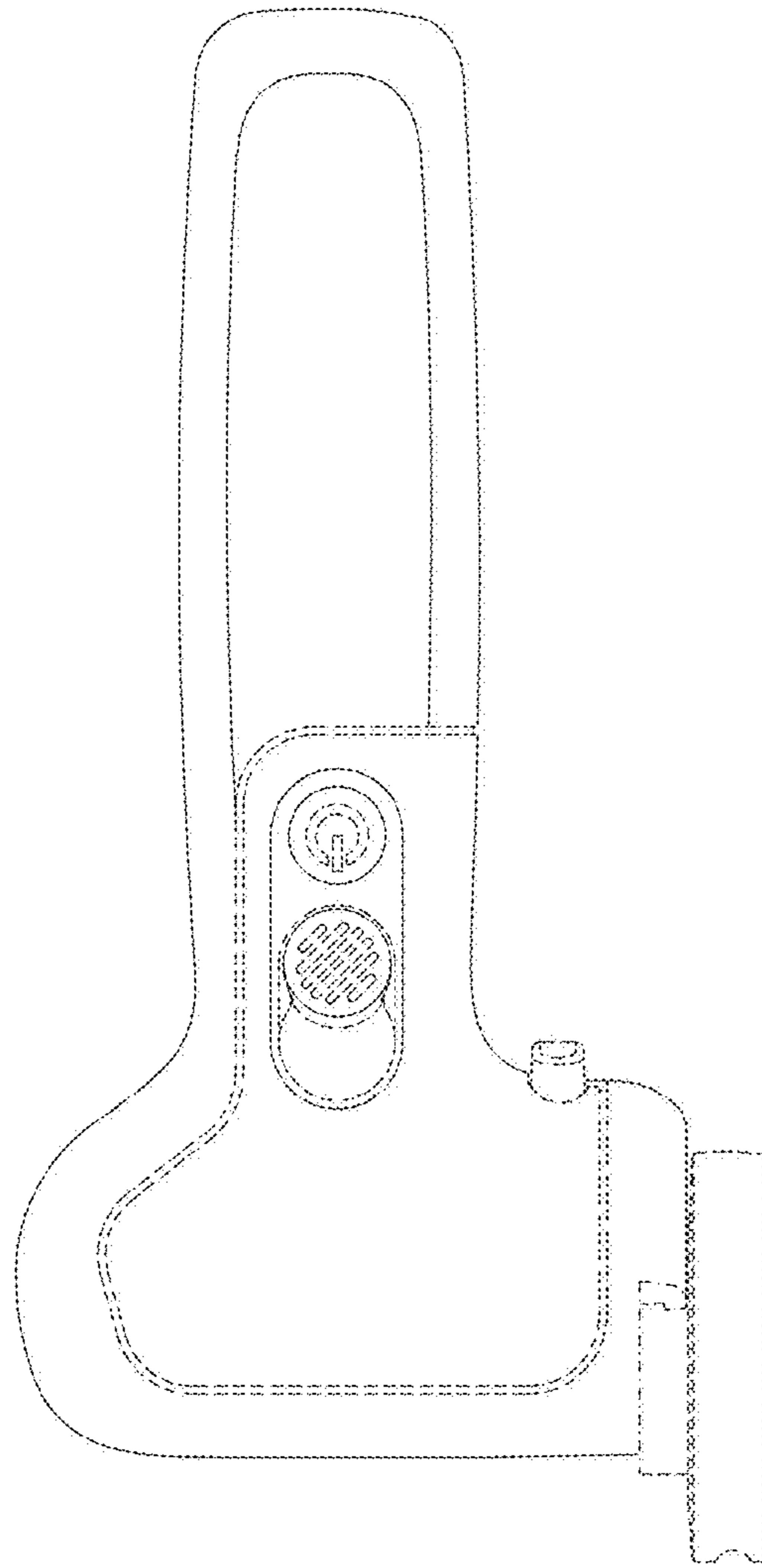


FIG. 3

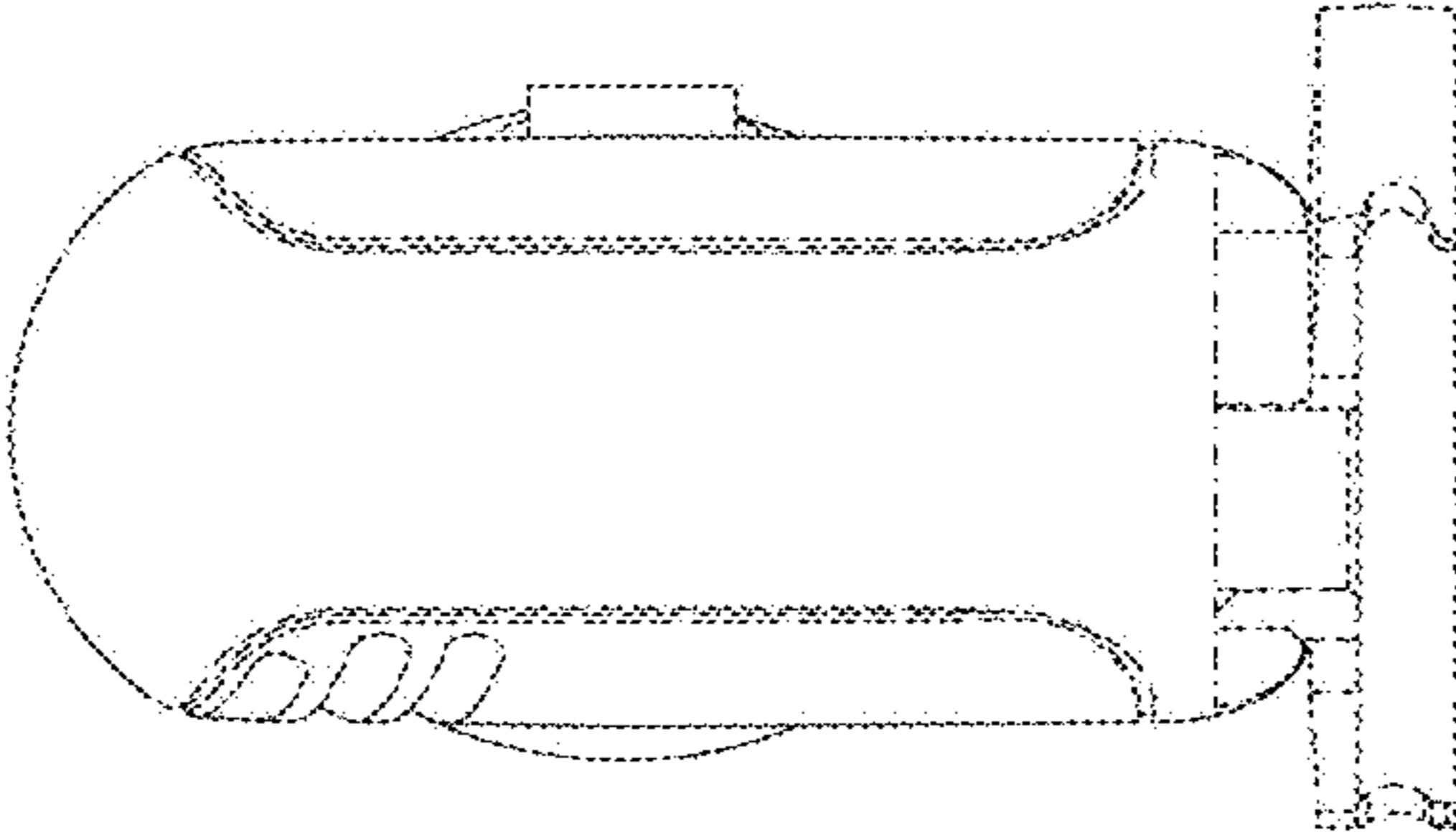


FIG. 4

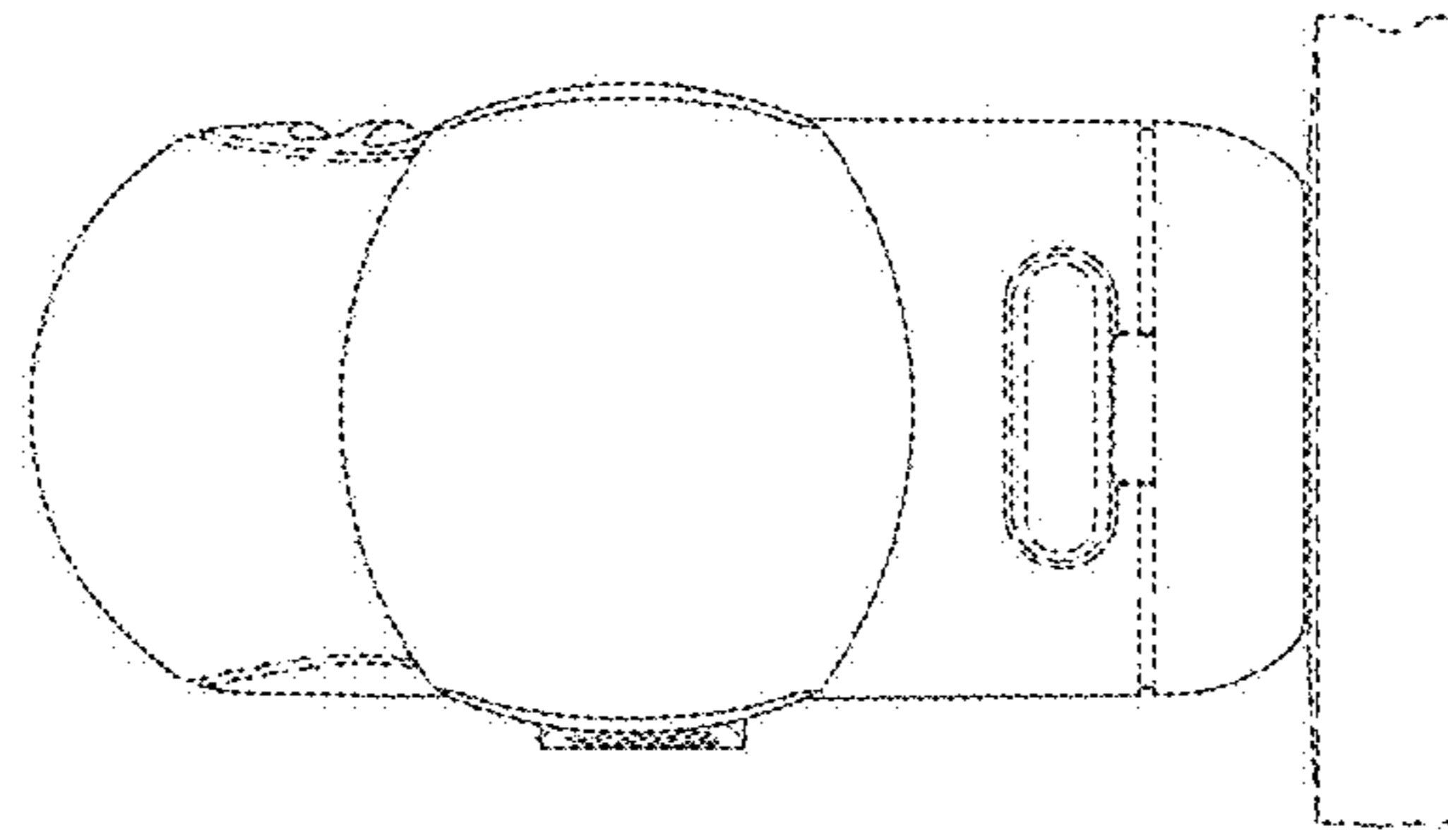


FIG. 5

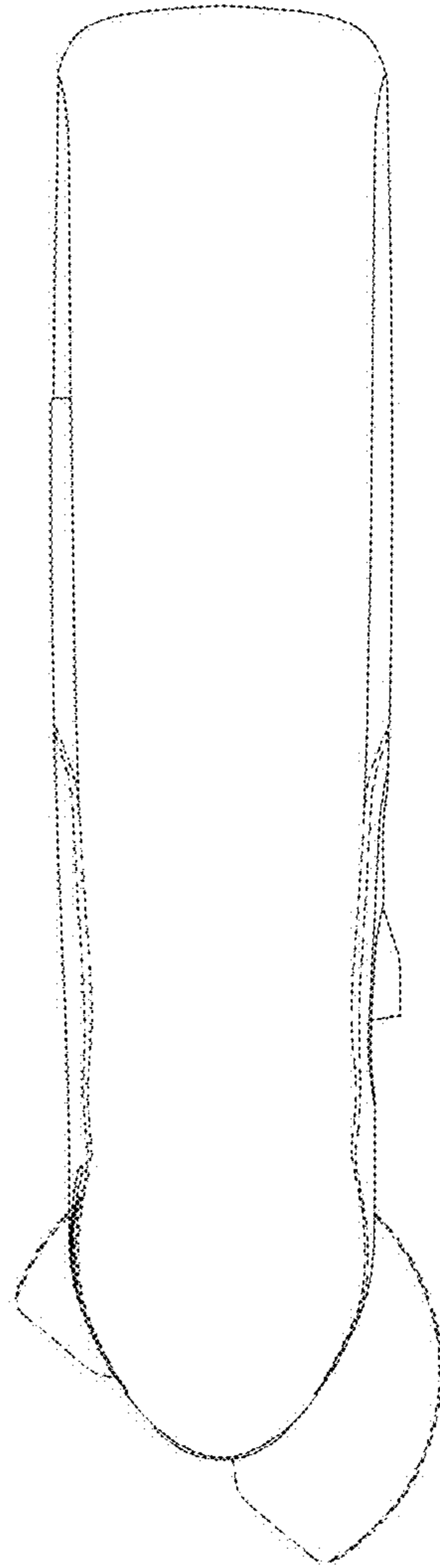


FIG. 6



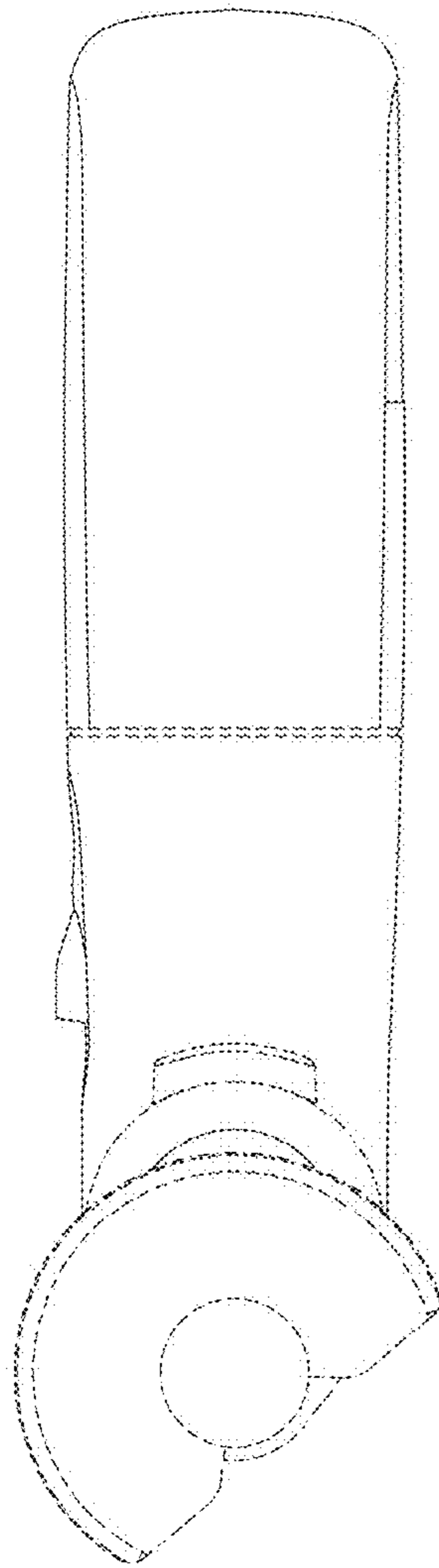


FIG. 7