



US00D953829S

(12) **United States Design Patent**
Hsieh

(10) **Patent No.:** **US D953,829 S**
(45) **Date of Patent:** **** Jun. 7, 2022**

- (54) **DRIVER OF A WRENCH**
 - (71) Applicant: **KABO TOOL COMPANY**, Taichung (TW)
 - (72) Inventor: **Chih-Ching Hsieh**, Taichung (TW)
 - (73) Assignee: **KABO TOOL COMPANY**, Taichung (TW)
 - (**) Term: **15 Years**
 - (21) Appl. No.: **29/725,526**
 - (22) Filed: **Feb. 25, 2020**
 - (51) **LOC (13) Cl.** **08-05**
 - (52) **U.S. Cl.**
USPC **D8/25**
 - (58) **Field of Classification Search**
USPC D8/25, 28, 397, 399
CPC . B25B 13/463; B25B 13/462; B25B 23/0035;
B25B 23/00
- See application file for complete search history.

- 6,601,476 B2 * 8/2003 Hu B25B 13/06
81/176.1
- 6,748,824 B2 * 6/2004 Chen B25B 13/463
81/177.85
- D500,436 S * 1/2005 Chen D8/21
- D524,613 S * 7/2006 Chen D8/21
- D558,006 S * 12/2007 Tuan Mu D8/21
- D592,471 S * 5/2009 Rosko D8/28
- D747,183 S * 1/2016 Davidson D8/397
- D773,266 S * 12/2016 Hsieh D8/397
- D839,701 S * 2/2019 Hsieh D8/397
- D840,777 S * 2/2019 Swisher D8/397

(Continued)

Primary Examiner — Rachel A. Voorhies
Assistant Examiner — Benjamin D. Wannemacher
(74) *Attorney, Agent, or Firm* — Guice Patents PLLC

(57) **CLAIM**

The ornamental design for a driver of a wrench, as shown and described.

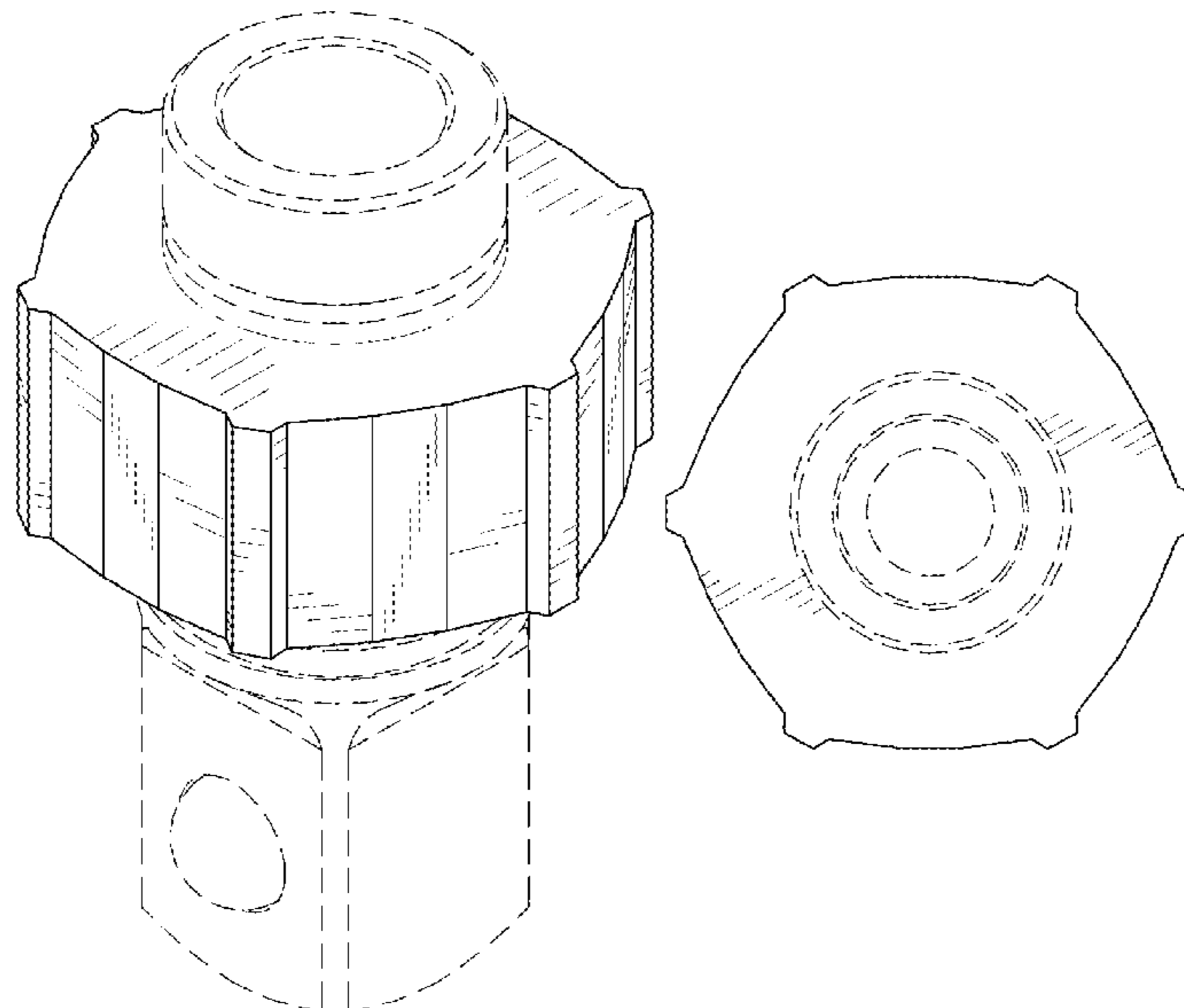
DESCRIPTION

FIG. 1 is a perspective view of the driver;
FIG. 2 is a front view of FIG. 1;
FIG. 3 is a rear view of FIG. 1;
FIG. 4 is a left side view of FIG. 1;
FIG. 5 is a right side view of FIG. 1;
FIG. 6 is a top view of FIG. 1;
FIG. 7 is a bottom view of FIG. 1; and,
FIG. 8 is a drawing illustrating that the driver is disposed in a head of a wrench.
The dash-dash broken lines in FIG. 1-7 are for the purpose of illustrating portions of the driver of a wrench that form no part of the claimed design. The short dash-dash broken lines in FIG. 8 are for the purpose of illustrating portions of the driver of a wrench that form no part of the claimed design. The dash-dash broken lines in FIG. 8 illustrate the environment of the claimed design and forms no part thereof.

1 Claim, 5 Drawing Sheets

(56) **References Cited**
U.S. PATENT DOCUMENTS

- D23,917 S * 12/1894 Lane D8/397
- 1,563,178 A * 11/1925 Fegley B25B 15/06
74/124
- D262,940 S * 2/1982 Spinner D8/397
- D273,561 S * 4/1984 Ozaki D8/397
- D281,953 S * 12/1985 Newman D8/397
- D287,456 S * 12/1986 Kobos D8/14
- D412,435 S * 8/1999 Cultice, Jr. D8/397
- 6,164,167 A * 12/2000 Chen B25B 13/463
81/63
- 6,209,423 B1 * 4/2001 Shiao B25B 13/463
192/43.1
- 6,301,998 B1 * 10/2001 Hu B25B 13/463
81/60
- 6,321,625 B1 * 11/2001 Fernandez B25B 13/065
81/121.1



(56)

References Cited

U.S. PATENT DOCUMENTS

D858,233 S * 9/2019 Liu D8/397
D863,005 S * 10/2019 Albertson D8/397
2001/0054531 A1* 12/2001 Chang B25B 13/463
192/46
2003/0126957 A1* 7/2003 Huang B25B 15/001
81/60
2007/0163398 A1* 7/2007 Lai Lee B25B 13/462
81/59.1

* cited by examiner

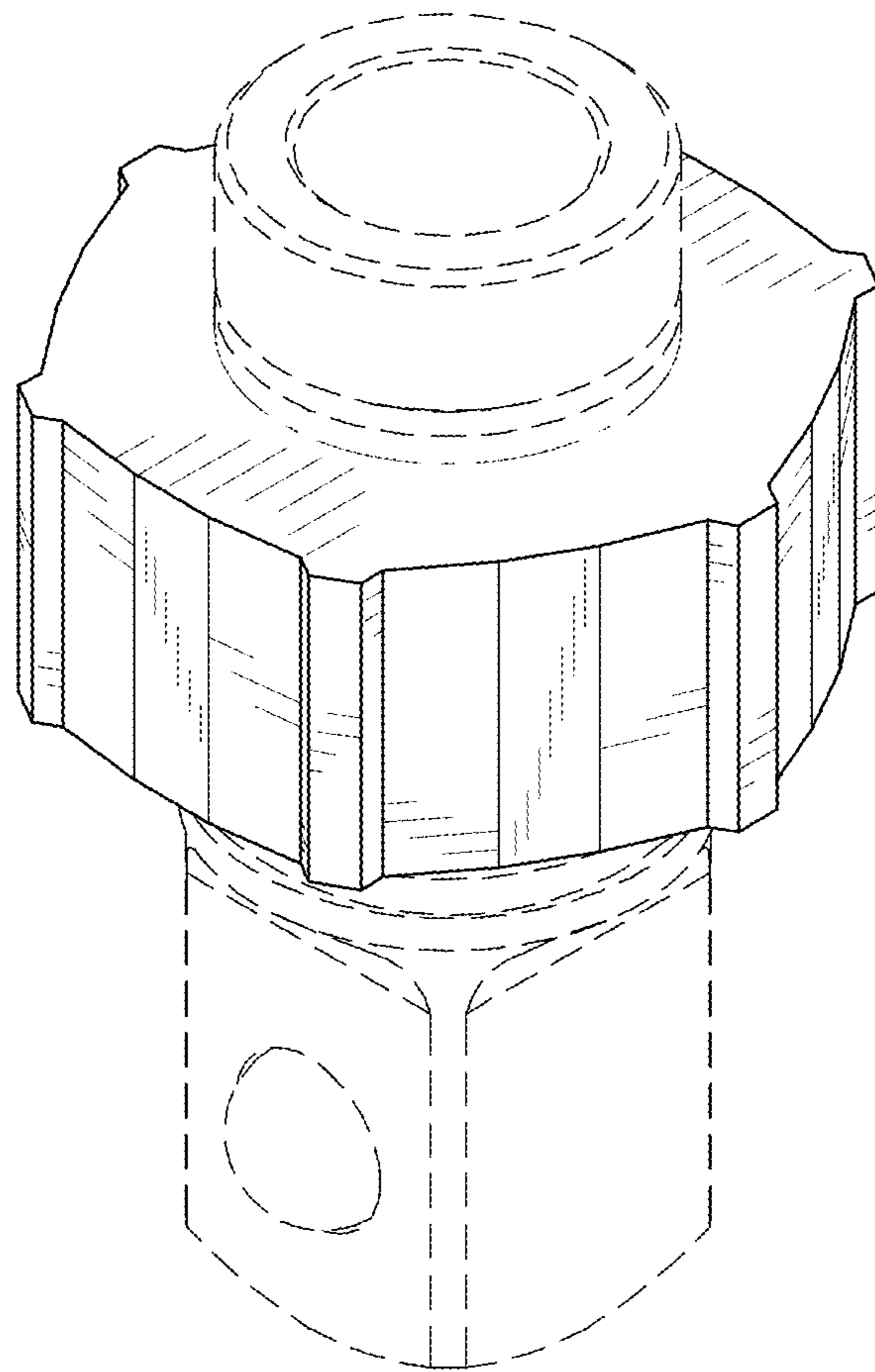


Fig. 1

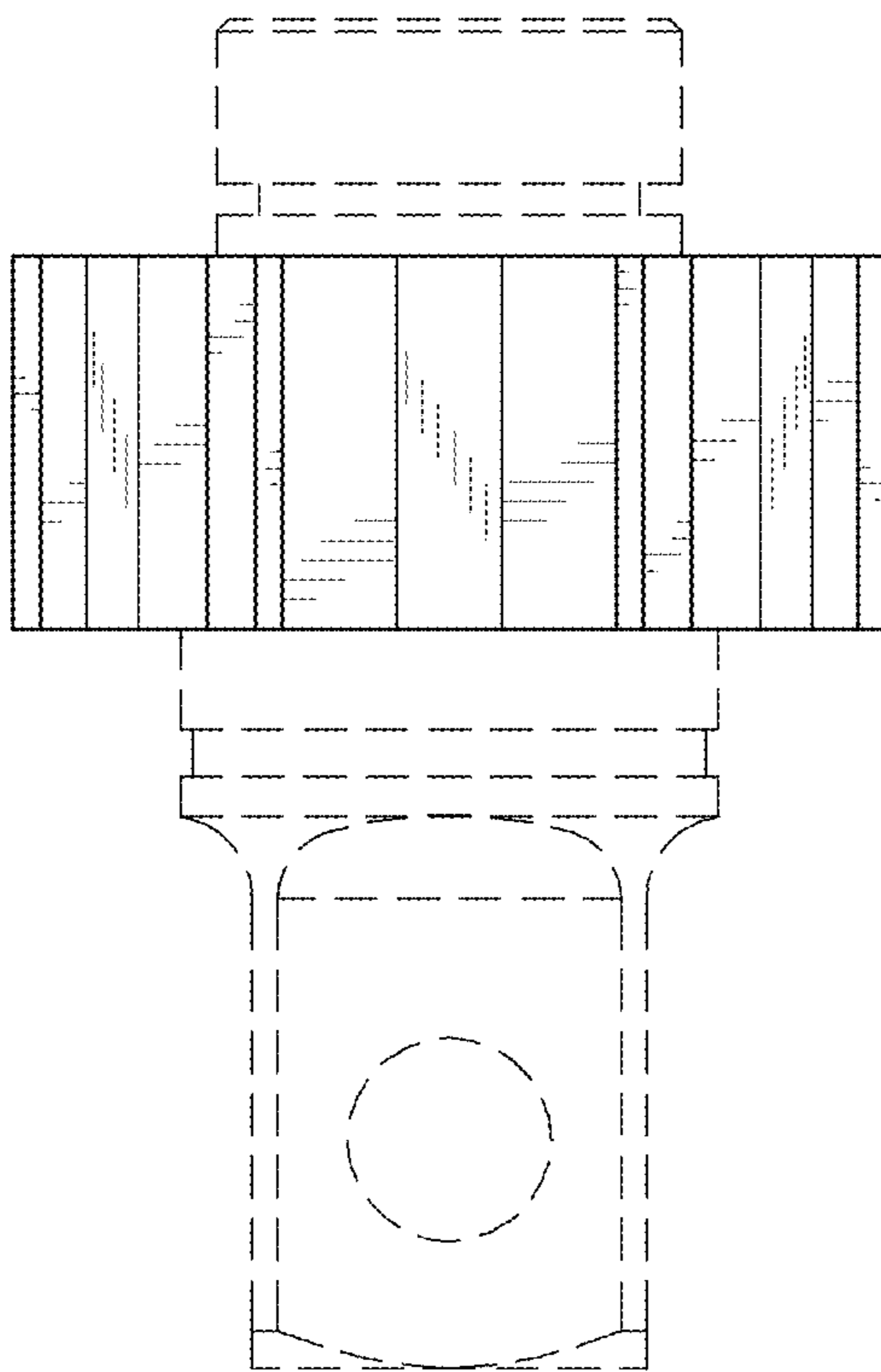


Fig. 2

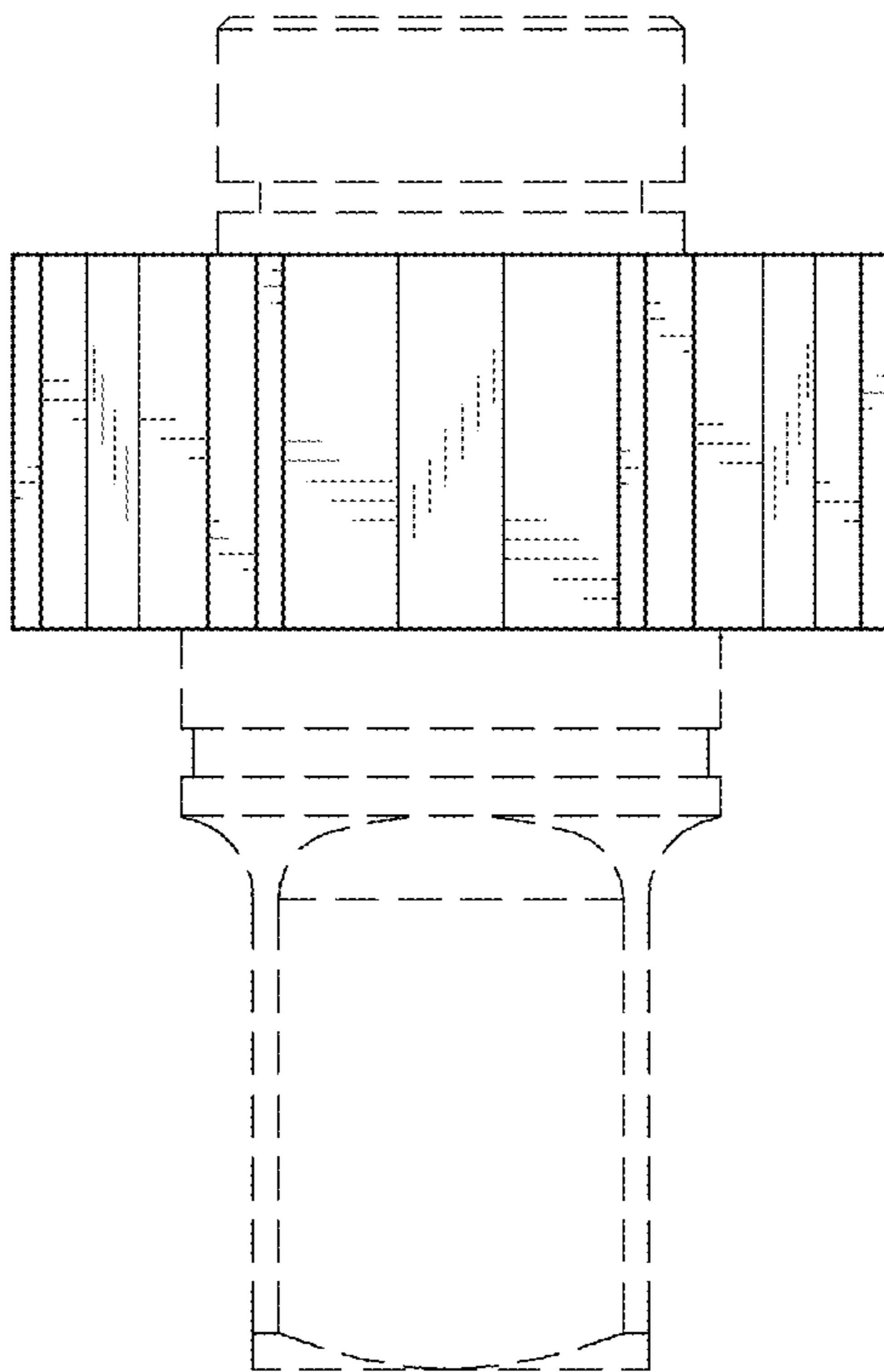


Fig. 3

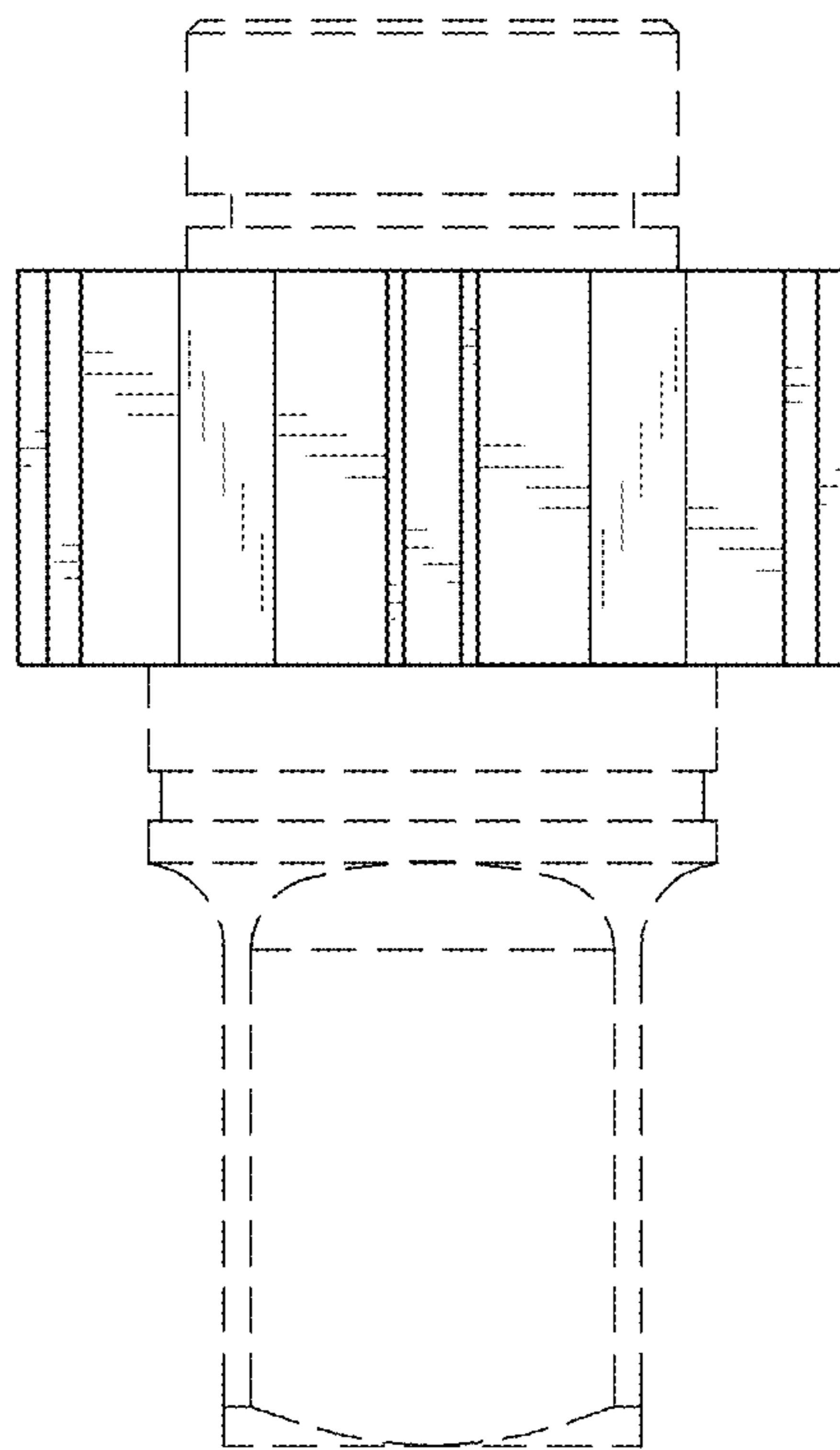


Fig. 4

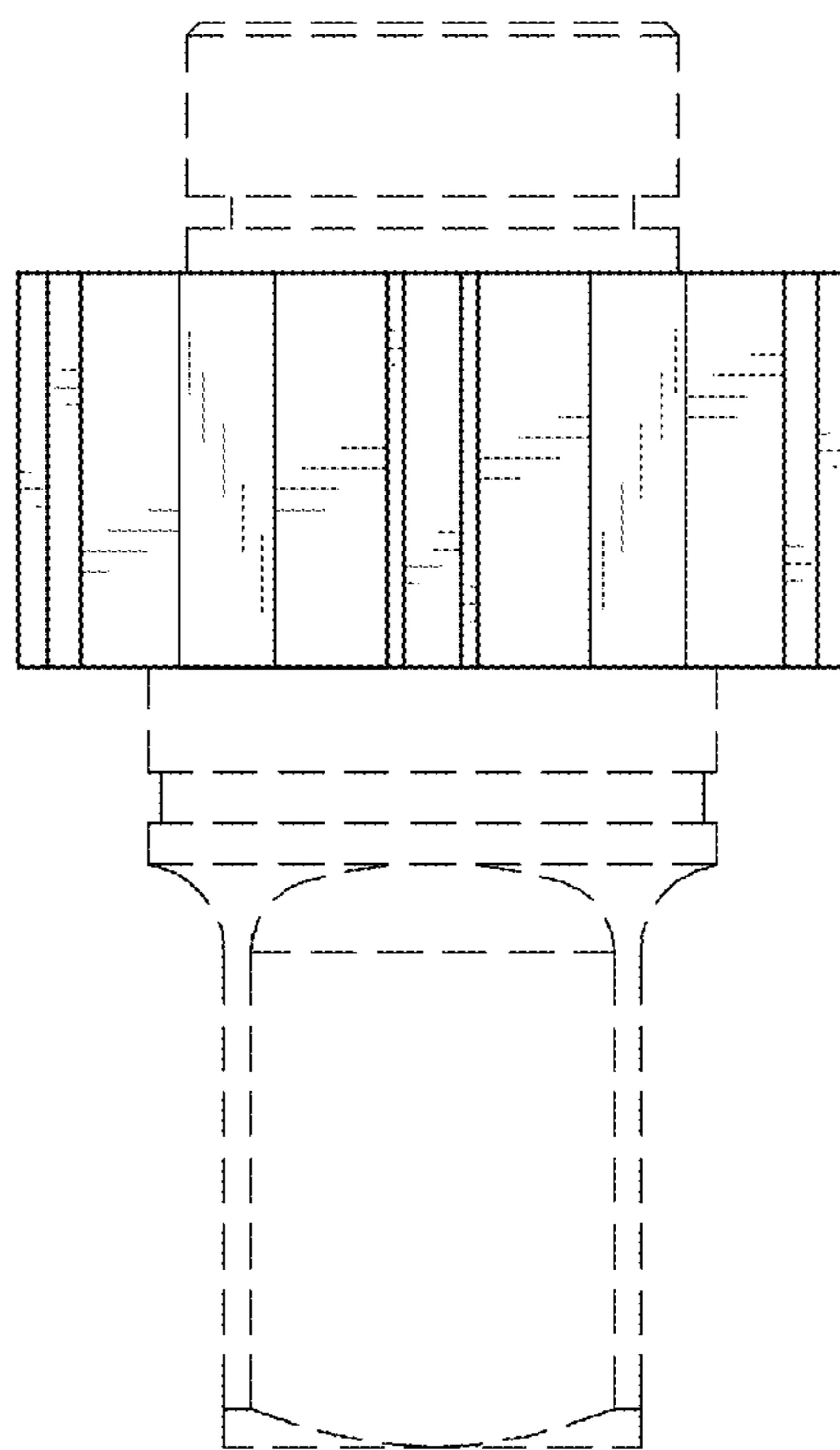


Fig. 5

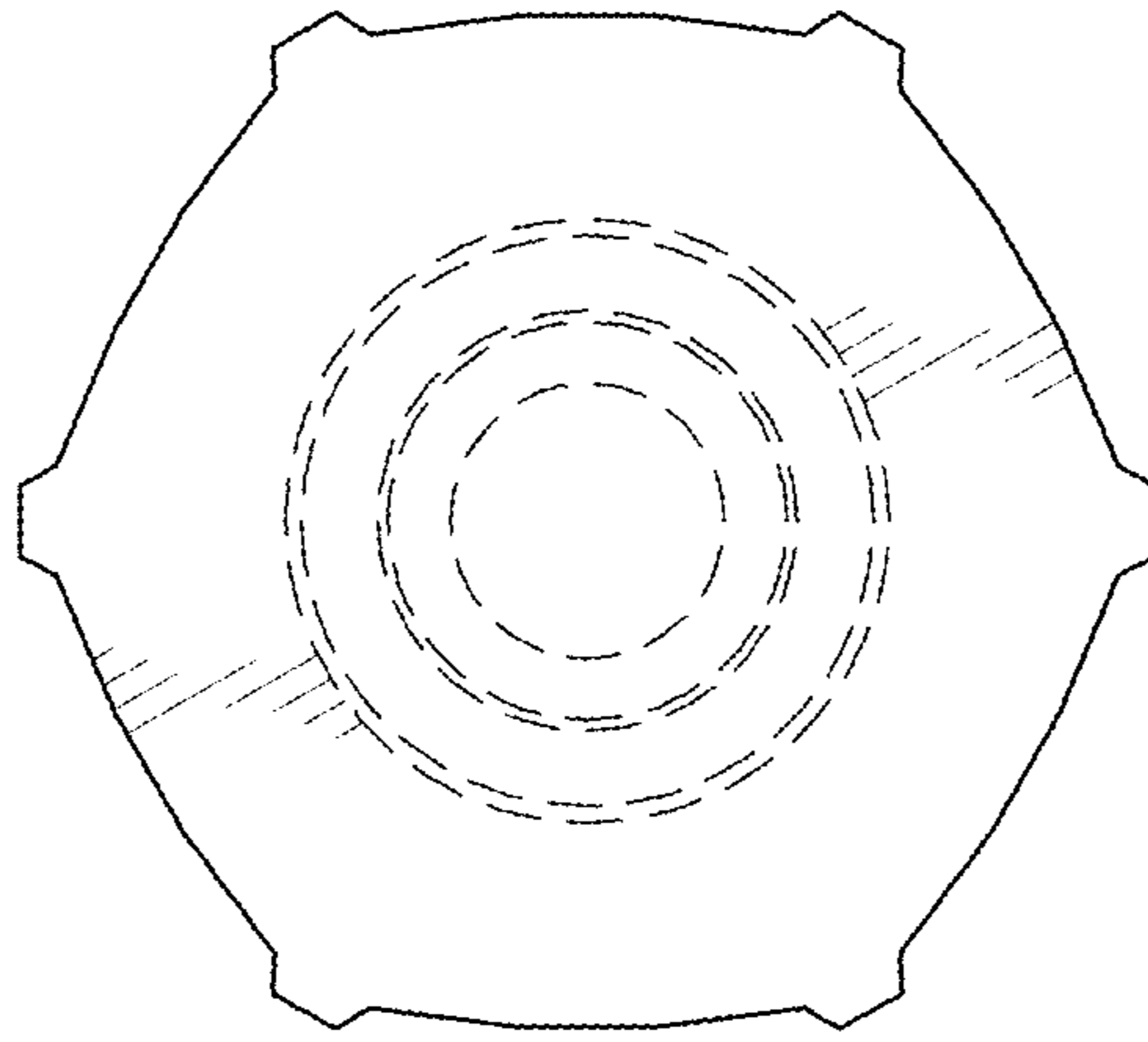


Fig. 6

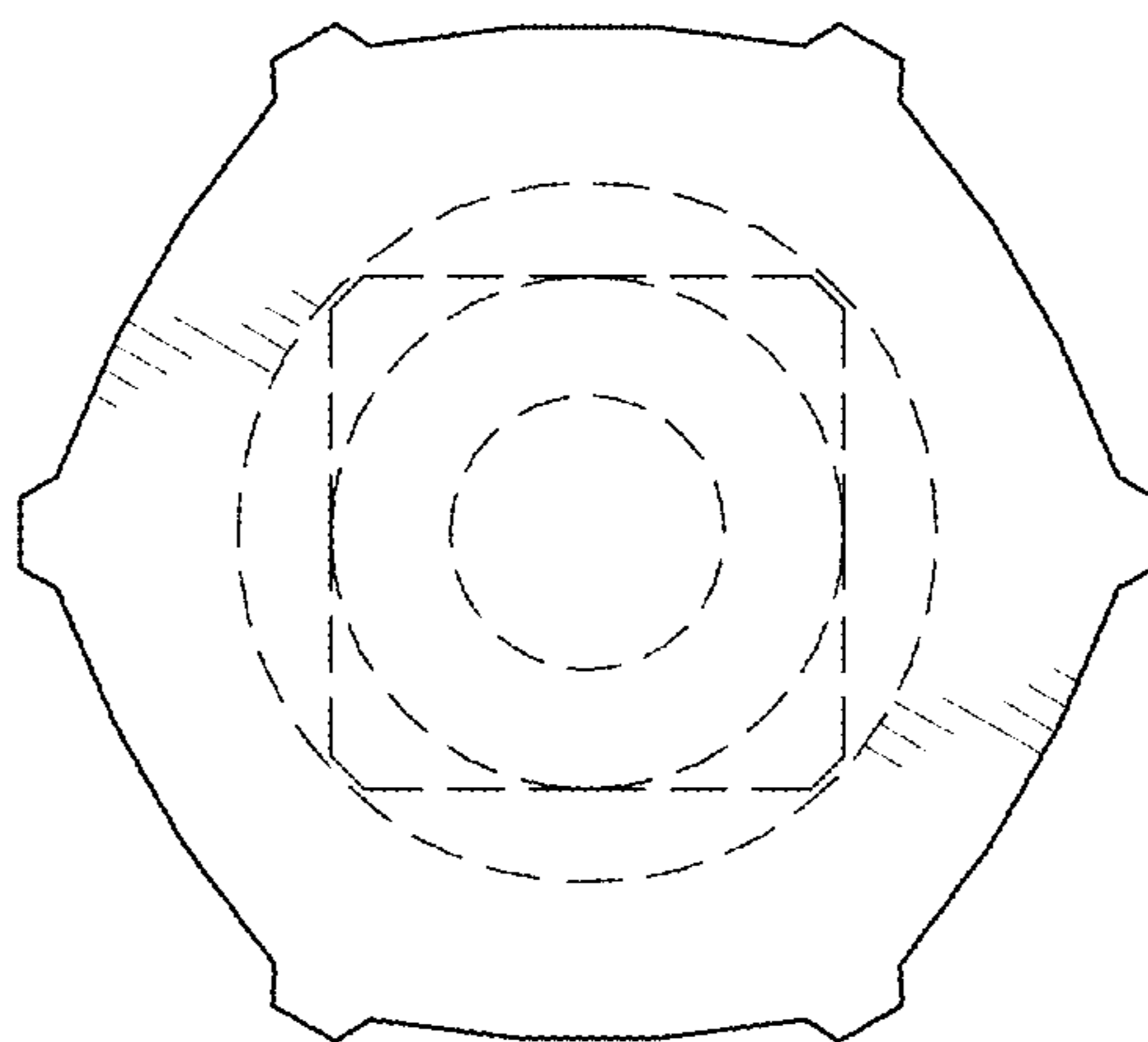


Fig. 7

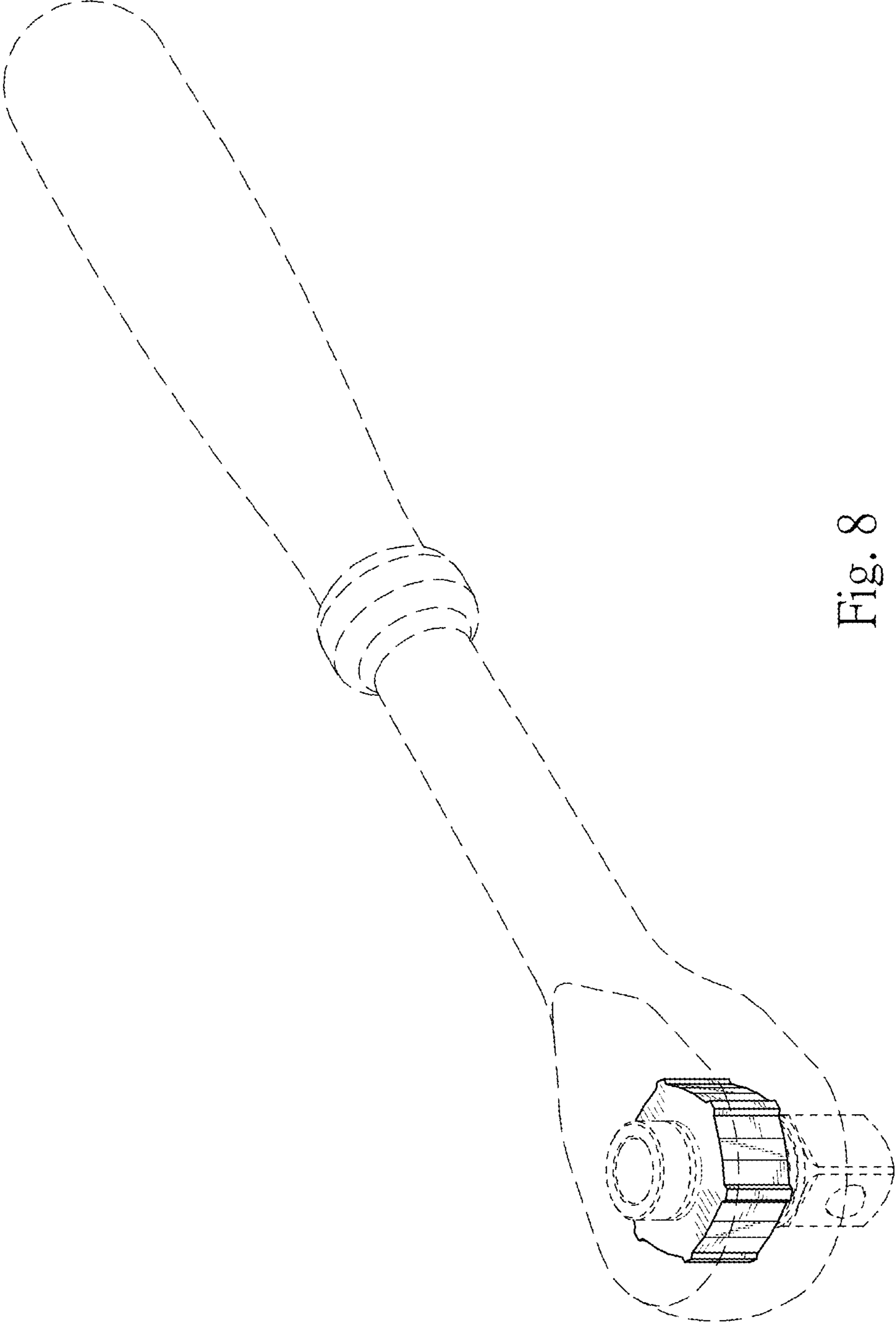


Fig. 8