



US00D953828S

(12) **United States Design Patent**
Hsieh

(10) **Patent No.:** **US D953,828 S**

(45) **Date of Patent:** **** Jun. 7, 2022**

- (54) **WRENCH**
- (71) Applicant: **KABO TOOL COMPANY**, Taichung (TW)
- (72) Inventor: **Chih-Ching Hsieh**, Taichung (TW)
- (73) Assignee: **KABO TOOL COMPANY**, Taichung (TW)
- (**) Term: **15 Years**
- (21) Appl. No.: **29/725,519**
- (22) Filed: **Feb. 25, 2020**
- (51) **LOC (13) Cl.** **08-05**
- (52) **U.S. Cl.**
USPC **D8/21; D8/24; D8/25; D8/107**
- (58) **Field of Classification Search**
USPC D8/21, 22, 24-32, 63, 80, 83, 88-94, 97, D8/107, 300-320
CPC Y10T 16/506; Y10T 74/20864; Y10T 74/20732; B25B 13/06; B25B 13/462; B25B 23/0035; B25B 13/463
See application file for complete search history.

- (56) **References Cited**
U.S. PATENT DOCUMENTS
- | | | | | |
|------------|---|---------|----------------|---------|
| D94,073 S | * | 12/1934 | Chapman | D8/309 |
| D132,891 S | * | 6/1942 | Chapman | D8/25 |
| D136,668 S | * | 11/1943 | Joynes | D8/89 |
| D256,864 S | * | 9/1980 | Nippel | D6/549 |
| D291,954 S | * | 9/1987 | Litowitz | D6/580 |
| D299,111 S | * | 12/1988 | Jans | D8/316 |
| D327,732 S | * | 7/1992 | Yost | D23/250 |
| D329,911 S | * | 9/1992 | Yost | D23/250 |
| D418,390 S | * | 1/2000 | Marquis | D8/312 |

D444,693 S	*	7/2001	Griese	D8/47
D493,341 S	*	7/2004	Chen	D8/25
D499,618 S	*	12/2004	Lin	D8/25
D515,899 S	*	2/2006	Chan	D8/83
D518,692 S	*	4/2006	Saunders	D8/25
D520,858 S	*	5/2006	Miller	D8/315
D525,516 S	*	7/2006	Veltz	D8/308
D563,759 S	*	3/2008	Oliver	D8/316
D670,984 S	*	11/2012	Albertson	D8/25
D687,689 S	*	8/2013	Lai	D8/25
D704,015 S	*	5/2014	Hernandez, Jr.	D8/27
D810,531 S	*	2/2018	Feuerstein	D8/29
D854,899 S	*	7/2019	Su	D8/29
D882,360 S	*	4/2020	Macor	D8/25
D923,441 S	*	6/2021	Hsieh	D8/24

* cited by examiner

Primary Examiner — Rachel A. Voorhies
Assistant Examiner — Benjamin D. Wannemacher
 (74) *Attorney, Agent, or Firm* — Guice Patents PLLC

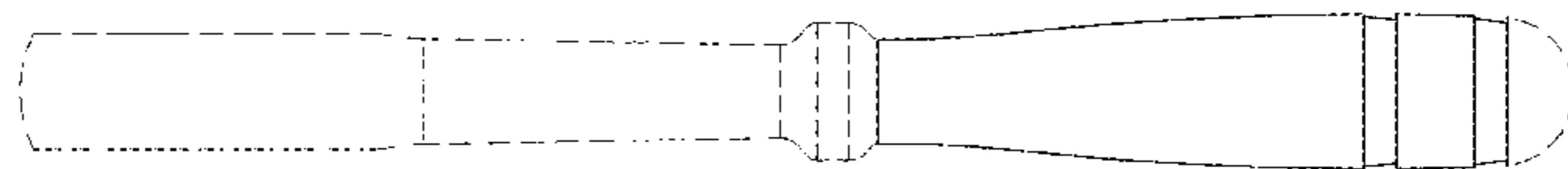
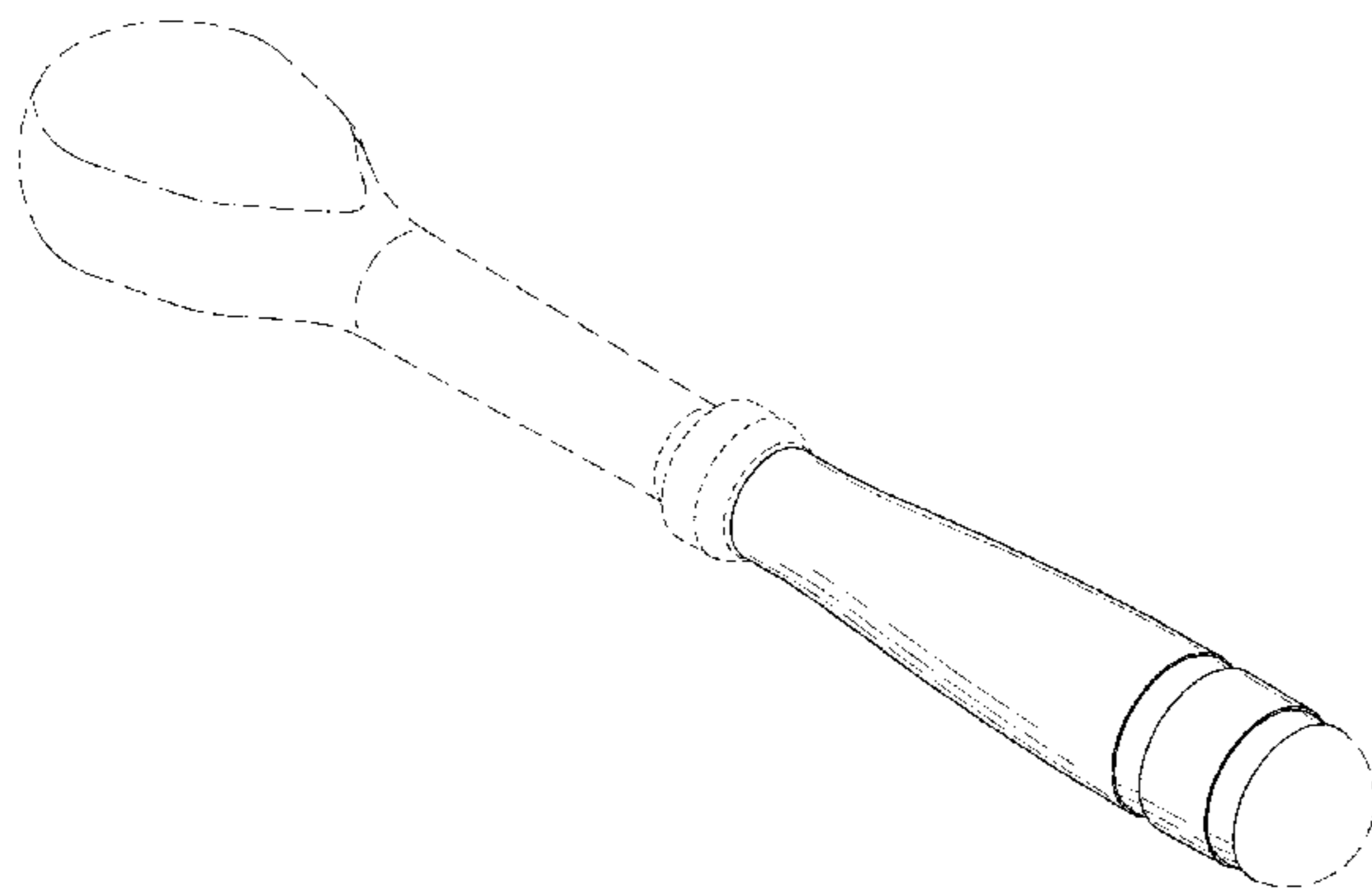
(57) **CLAIM**

The ornamental design for a wrench, as shown and described.

DESCRIPTION

FIG. 1 is a perspective view of the wrench;
 FIG. 2 is a front view of FIG. 1;
 FIG. 3 is a rear view of FIG. 1;
 FIG. 4 is a left side view of FIG. 1;
 FIG. 5 is a right side view of FIG. 1;
 FIG. 6 is a top view of FIG. 1; and,
 FIG. 7 is a bottom view of FIG. 1.
 The broken lines shown on the drawings are included for the purpose of illustrating unclaimed features of the wrench and form no part of the claimed design.

1 Claim, 4 Drawing Sheets



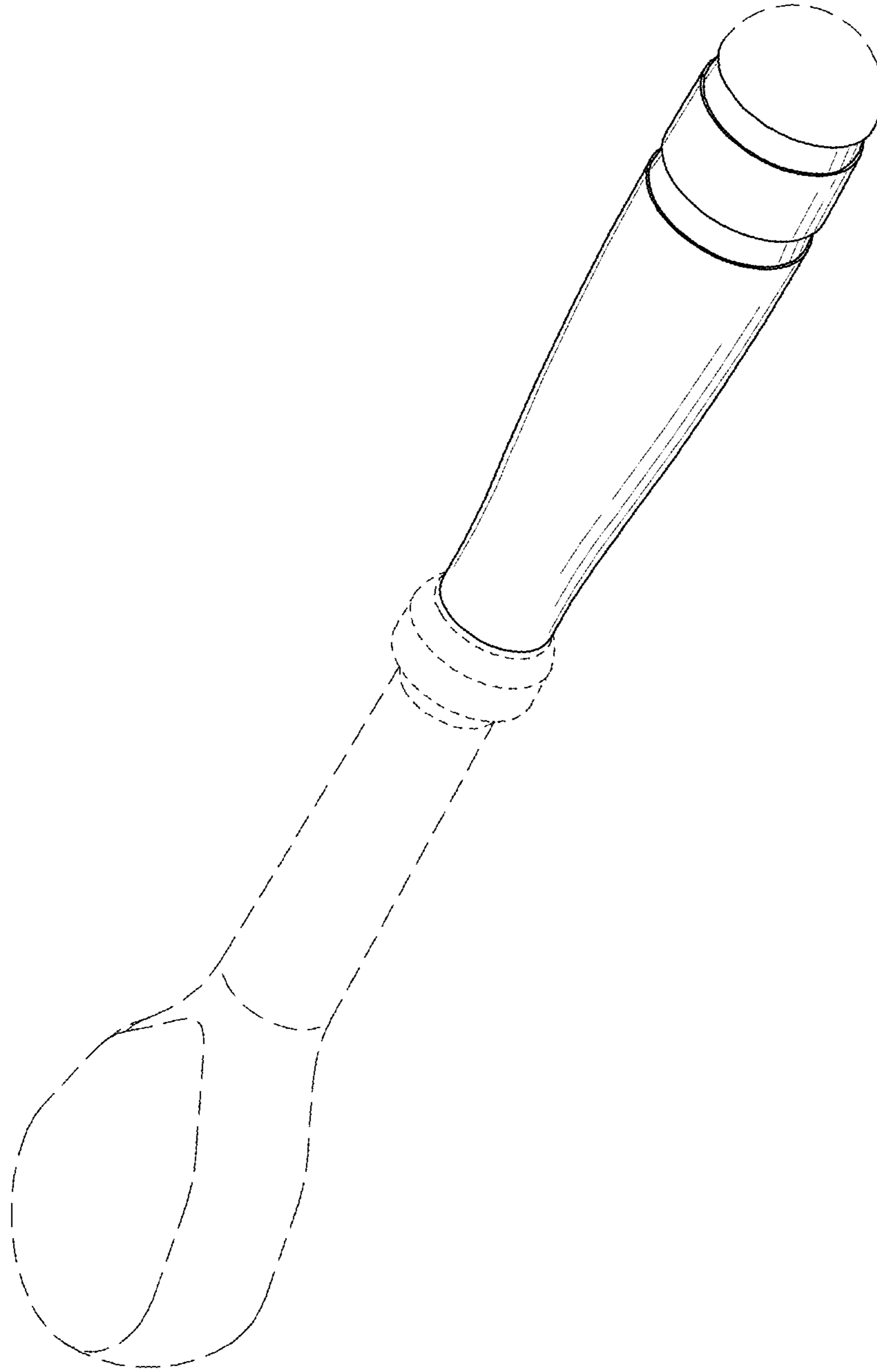


Fig. 1

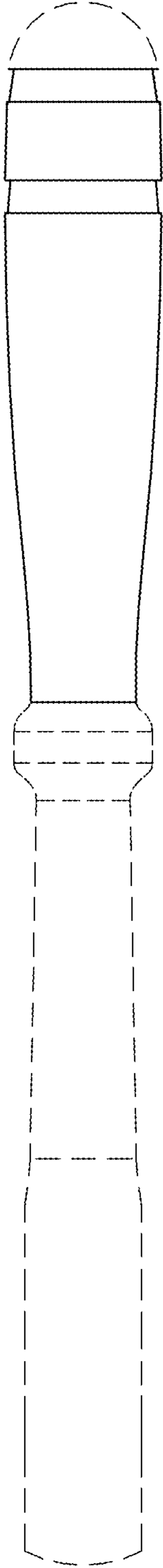


Fig. 2

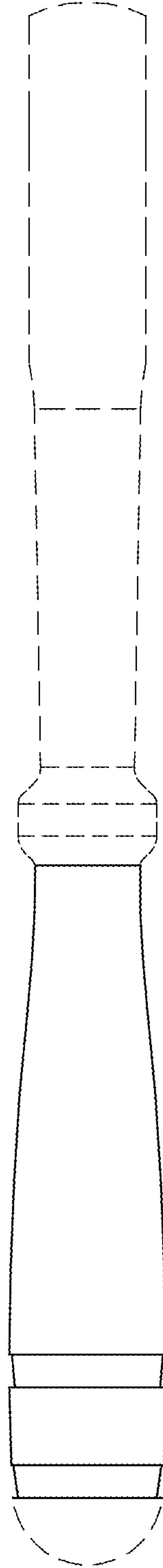


Fig. 3

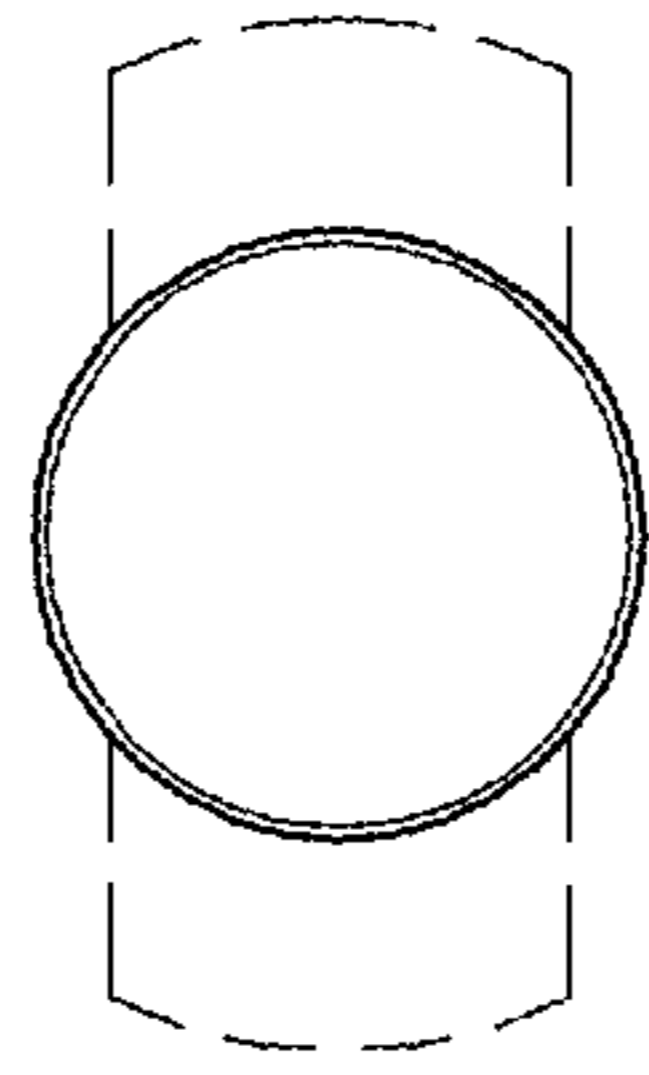


Fig. 5

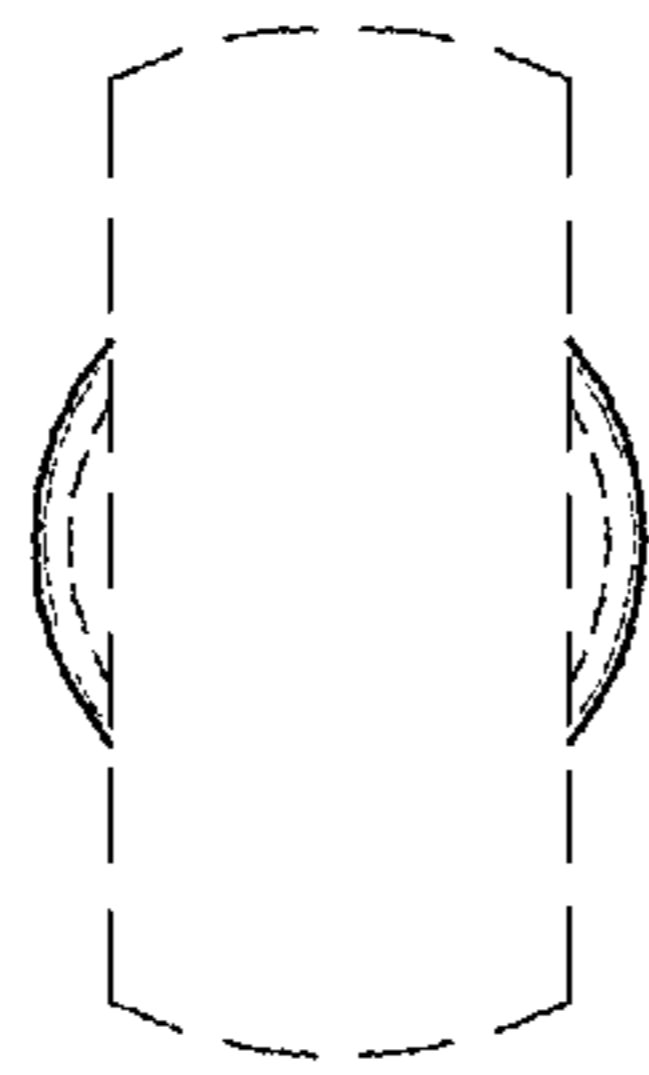


Fig. 4

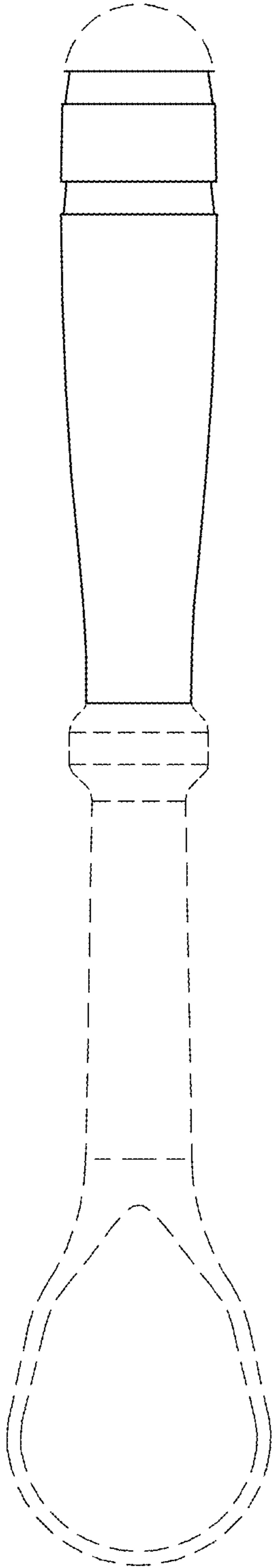


Fig. 6

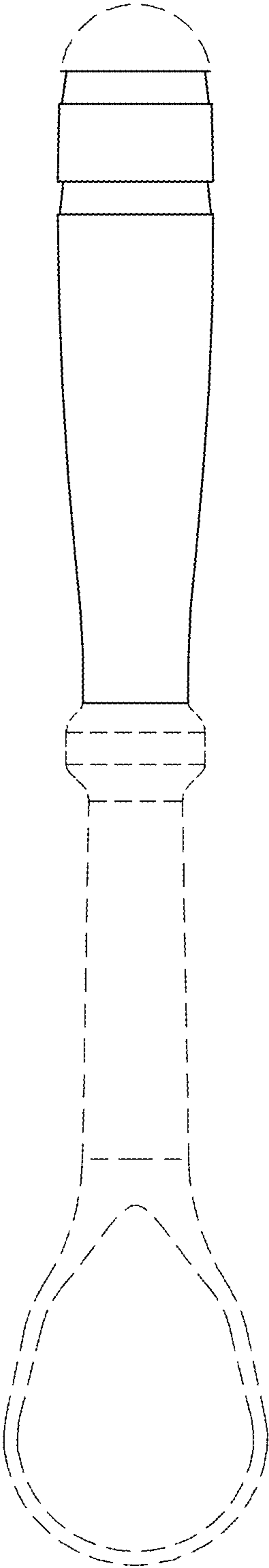


Fig. 7