



US00D953827S

(12) **United States Design Patent**  
**Yang**

(10) **Patent No.:** **US D953,827 S**

(45) **Date of Patent:** **\*\* Jun. 7, 2022**

(54) **GREASE GUN**

(71) Applicant: **Zhejiang Prulde Electric Appliance Co., Ltd., Jinhua (CN)**

(72) Inventor: **Weiming Yang, Jinhua (CN)**

(\*\*) Term: **15 Years**

(21) Appl. No.: **29/748,517**

(22) Filed: **Aug. 29, 2020**

(51) **LOC (13) Cl.** ..... **08-05**

(52) **U.S. Cl.**  
USPC ..... **D8/14.1**

(58) **Field of Classification Search**  
USPC ..... D23/207, 213, 223, 225, 226, 356, 360;  
D8/14.1  
CPC .. B05B 5/025; B05B 5/03; B05B 5/16; B05B  
5/1691; B05B 7/0018; B05B 7/0093;  
B05B 7/02; B05B 7/06; B05B 7/062;  
B05B 7/064; B05B 7/12; B05B 7/129;  
B05B 7/24; B05B 7/2475; B05B 7/2478;  
B05B 15/60; B05B 15/63; F16N 3/12  
See application file for complete search history.

D710,169 S \* 8/2014 Guo ..... D8/61  
D740,089 S \* 10/2015 Guo ..... D8/14.1  
D843,803 S \* 3/2019 Cooper ..... D8/68  
D852,015 S \* 6/2019 Kirkpatrick ..... D8/68

(Continued)

**FOREIGN PATENT DOCUMENTS**

CN 305721918 \* 4/2020

**OTHER PUBLICATIONS**

Milwaukee 2446-20 M12 Grease Gun, Aug. 16, 2018, Amazon, site visited Aug. 30, 2021: <https://www.amazon.com/dp/B07FB7YJPS/> (Year: 2018).\*

(Continued)

*Primary Examiner* — Jack Reickel  
*Assistant Examiner* — Bobby W Jones, II  
(74) *Attorney, Agent, or Firm* — Bayramoglu Law Offices LLC

(57) **CLAIM**

The ornamental design for a grease gun, as shown and described.

**DESCRIPTION**

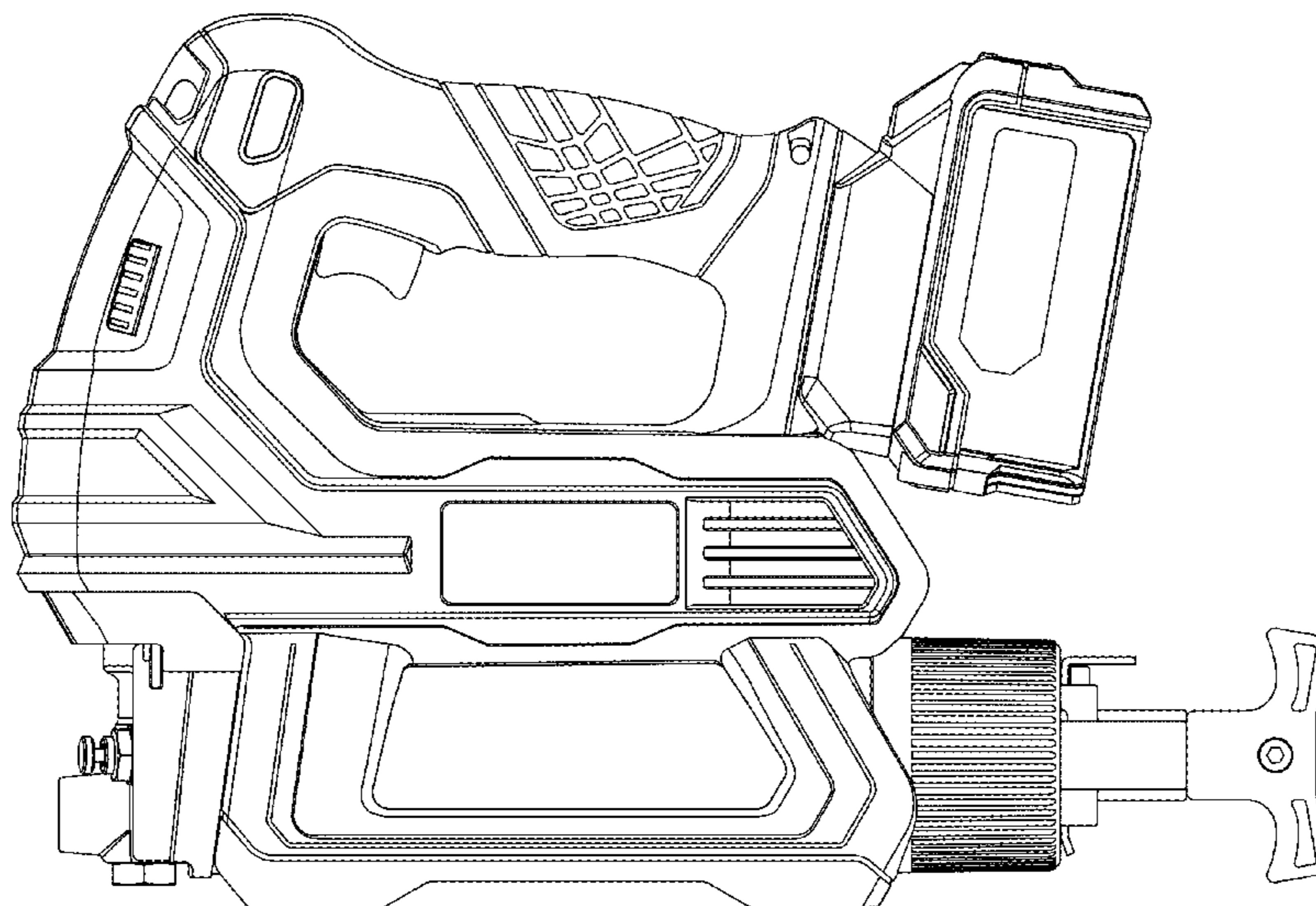
FIG. 1 is a front elevation view of a grease gun showing my new design;  
FIG. 2 is a rear elevation view thereof;  
FIG. 3 is a left side elevation view thereof;  
FIG. 4 is a right side elevation view thereof;  
FIG. 5 is a top plan view thereof;  
FIG. 6 is a bottom plan view thereof;  
FIG. 7 is a perspective view thereof;  
FIG. 8 is another perspective view thereof; and,  
FIG. 9 is another perspective view thereof.  
The broken lines shown in the drawings are for the purpose of illustrating portions of the grease gun that form no part of the claimed design.

**1 Claim, 7 Drawing Sheets**

(56) **References Cited**

**U.S. PATENT DOCUMENTS**

4,257,540 A \* 3/1981 Wegmann ..... F16N 3/12  
184/105.2  
D279,074 S \* 6/1985 Honeyman ..... D8/14.1  
6,135,327 A \* 10/2000 Post ..... F16N 3/12  
222/333  
7,032,713 B2 \* 4/2006 Huang ..... F16N 11/08  
184/105.1  
D523,303 S \* 6/2006 Amin ..... D8/14.1  
D532,669 S \* 11/2006 Tsai ..... D8/69  
7,249,695 B2 \* 7/2007 Shew ..... F16N 11/08  
222/258  
7,267,198 B2 \* 9/2007 Cen ..... F16N 3/12  
184/105.2  
8,528,782 B2 \* 9/2013 Mergener ..... F16N 5/00  
222/37



(56)

**References Cited**

U.S. PATENT DOCUMENTS

D887,231 S \* 6/2020 Suzuki ..... D8/14.1  
2004/0226969 A1 \* 11/2004 Shew ..... F16N 3/12  
222/333  
2006/0091161 A1 \* 5/2006 Cen ..... F16N 3/12  
222/333  
2006/0108180 A1 \* 5/2006 Grach ..... F16N 3/12  
184/105.2  
2008/0017452 A1 \* 1/2008 Chen ..... F16N 29/00  
184/105.2  
2013/0087583 A1 \* 4/2013 Thorson ..... F16N 3/12  
222/262  
2018/0030966 A1 \* 2/2018 Wang ..... F04B 19/22  
2018/0340652 A1 \* 11/2018 Kawai ..... F16N 23/00  
2019/0101241 A1 \* 4/2019 Weems ..... F16B 23/0007  
2020/0191330 A1 \* 6/2020 Gibson ..... F16M 11/041  
2021/0207767 A1 \* 7/2021 Kuo ..... F16N 5/02

OTHER PUBLICATIONS

Lincoln 1882 PowerLuber, Jan. 11, 2011, Amazon, site visited Aug.  
30, 2021: <https://www.amazon.com/dp/B00KNC4XJE/> (Year: 2011).\*

\* cited by examiner

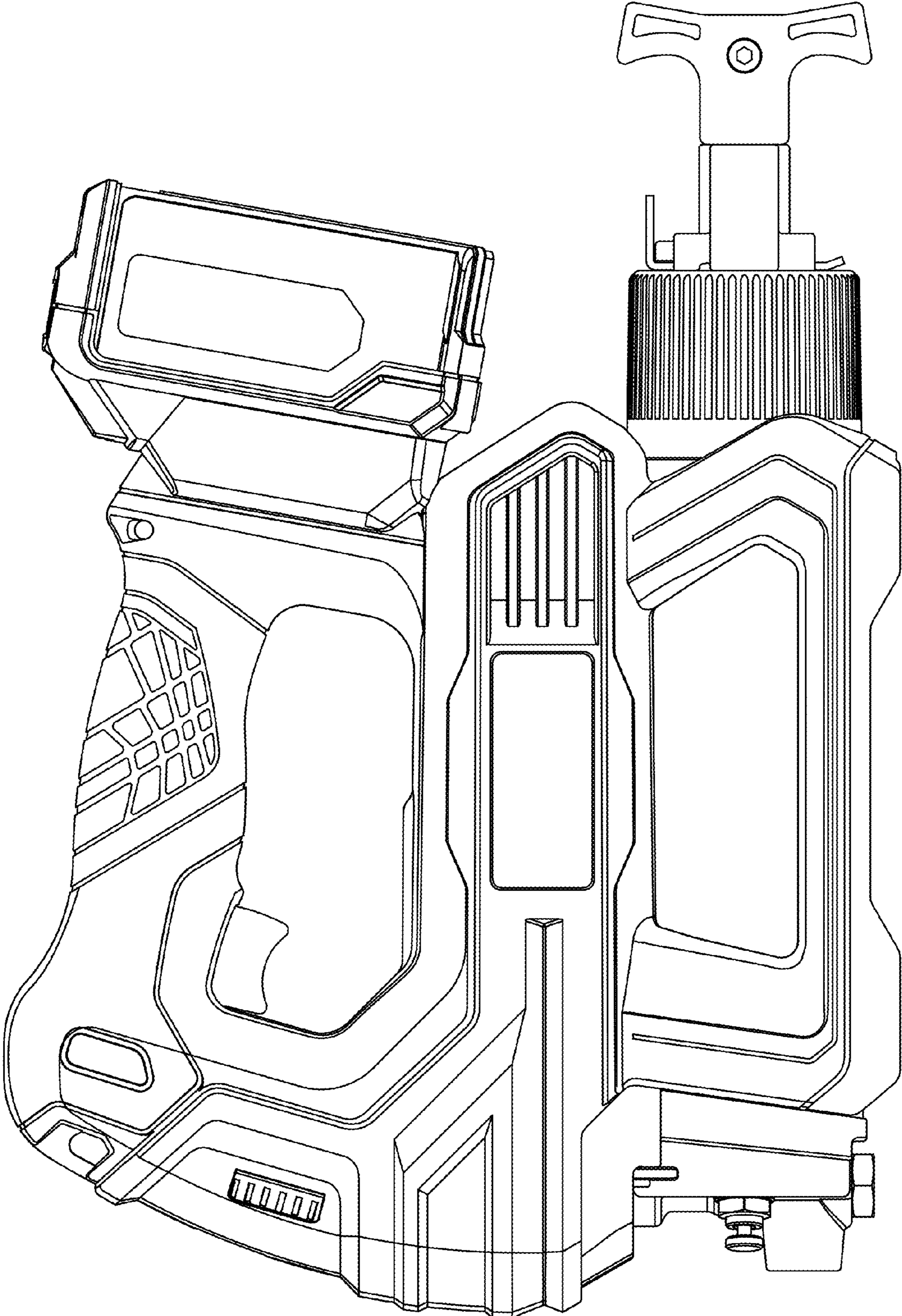


FIG. 1

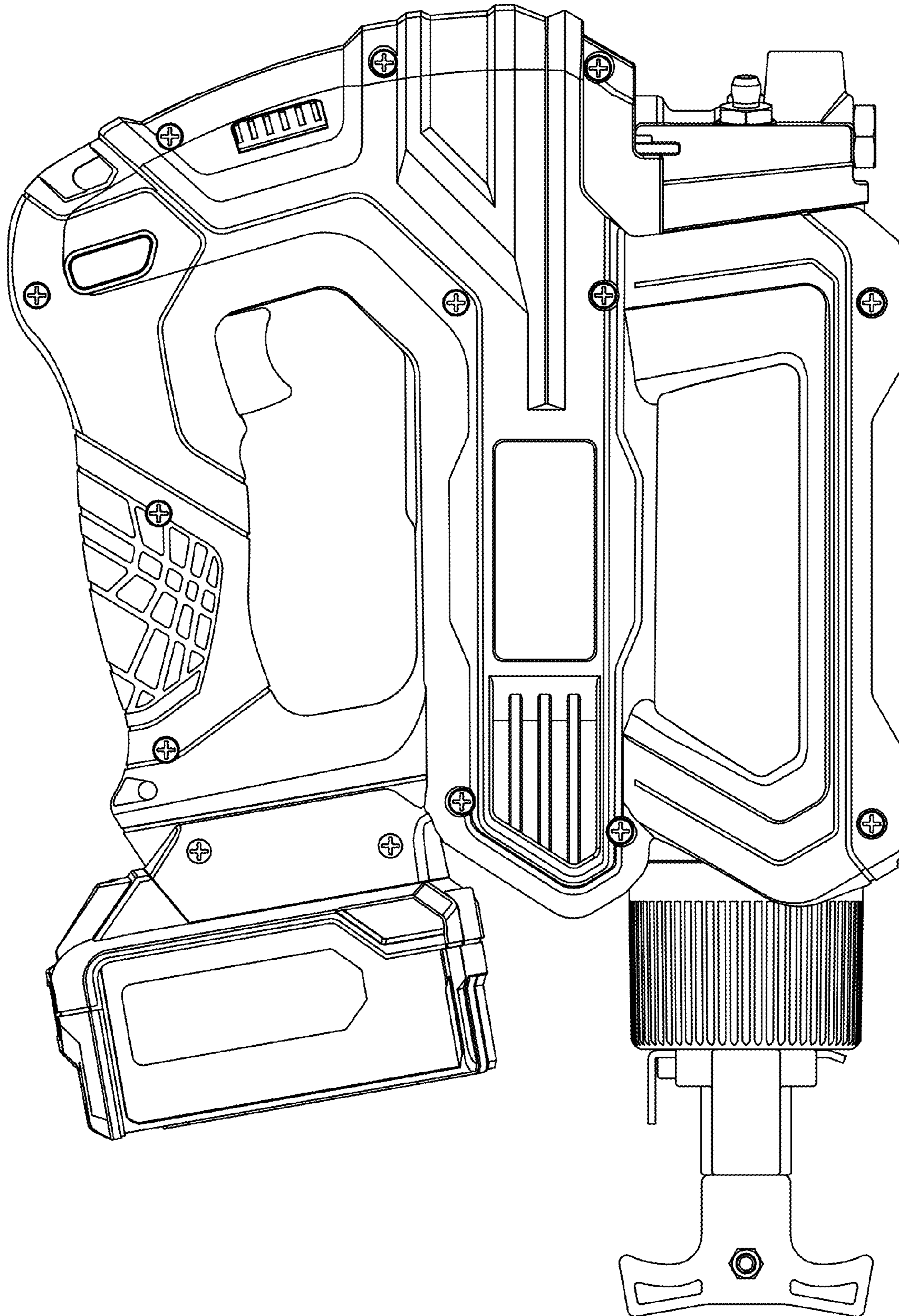


FIG. 2

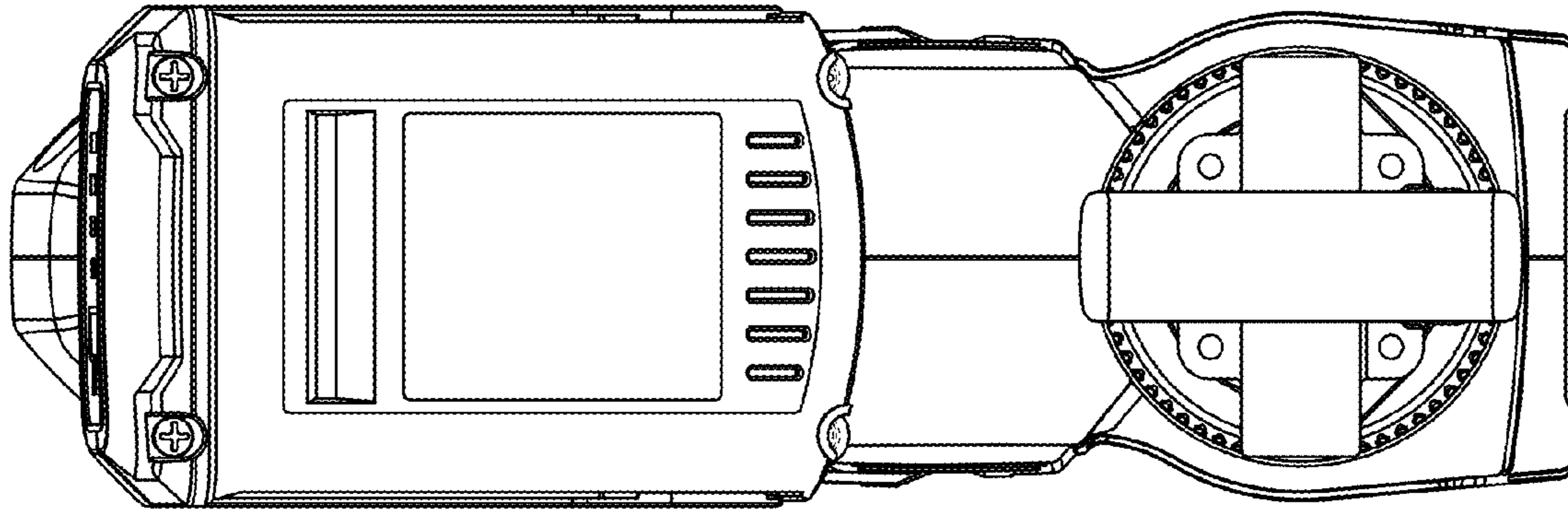


FIG. 4

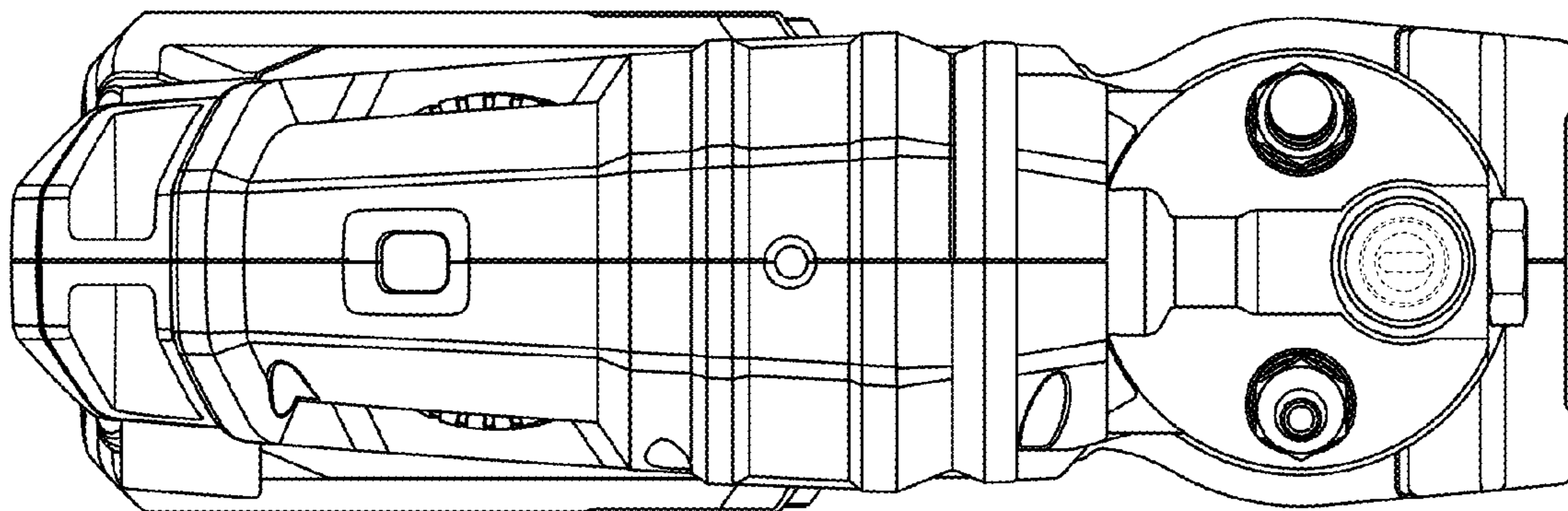


FIG. 3

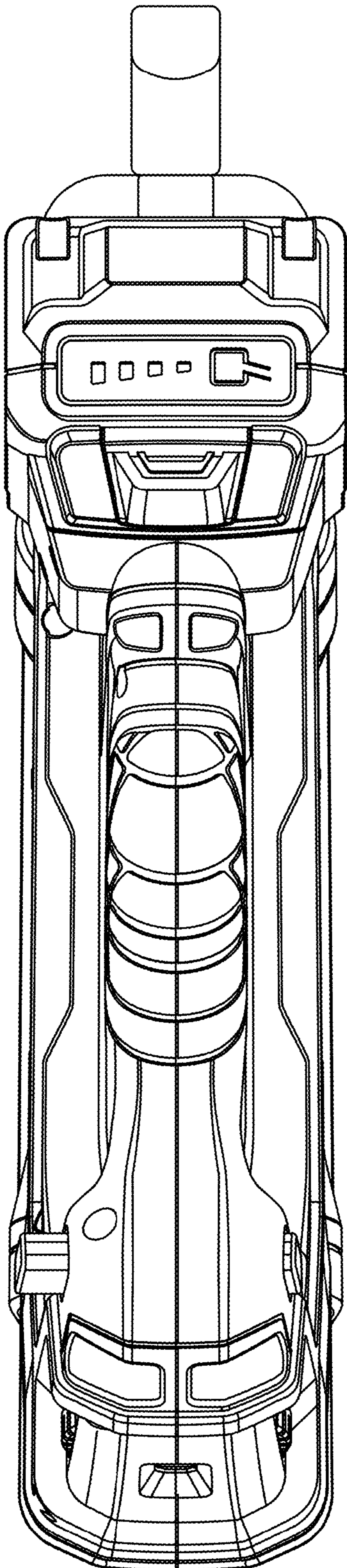


FIG. 5

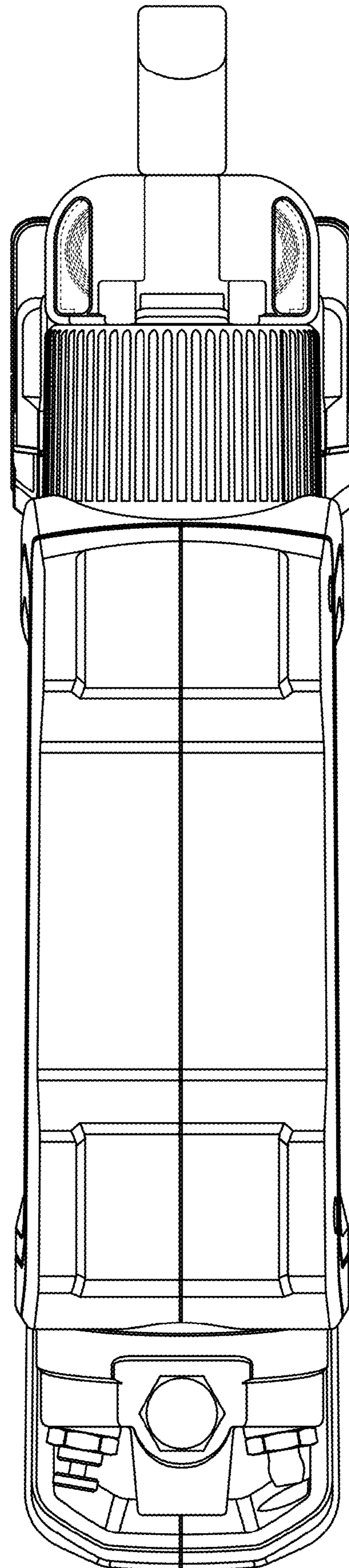


FIG. 6

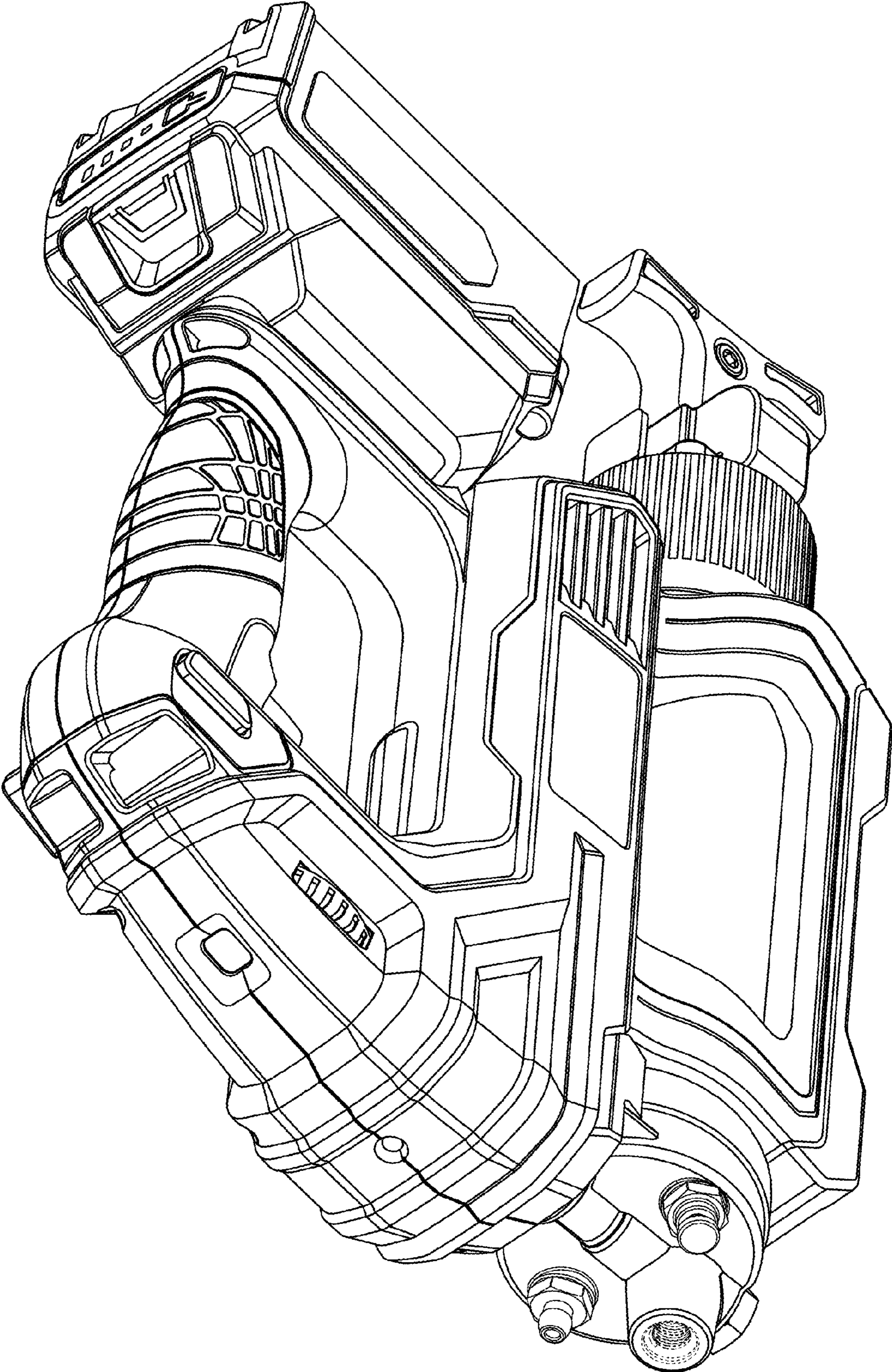


FIG. 7

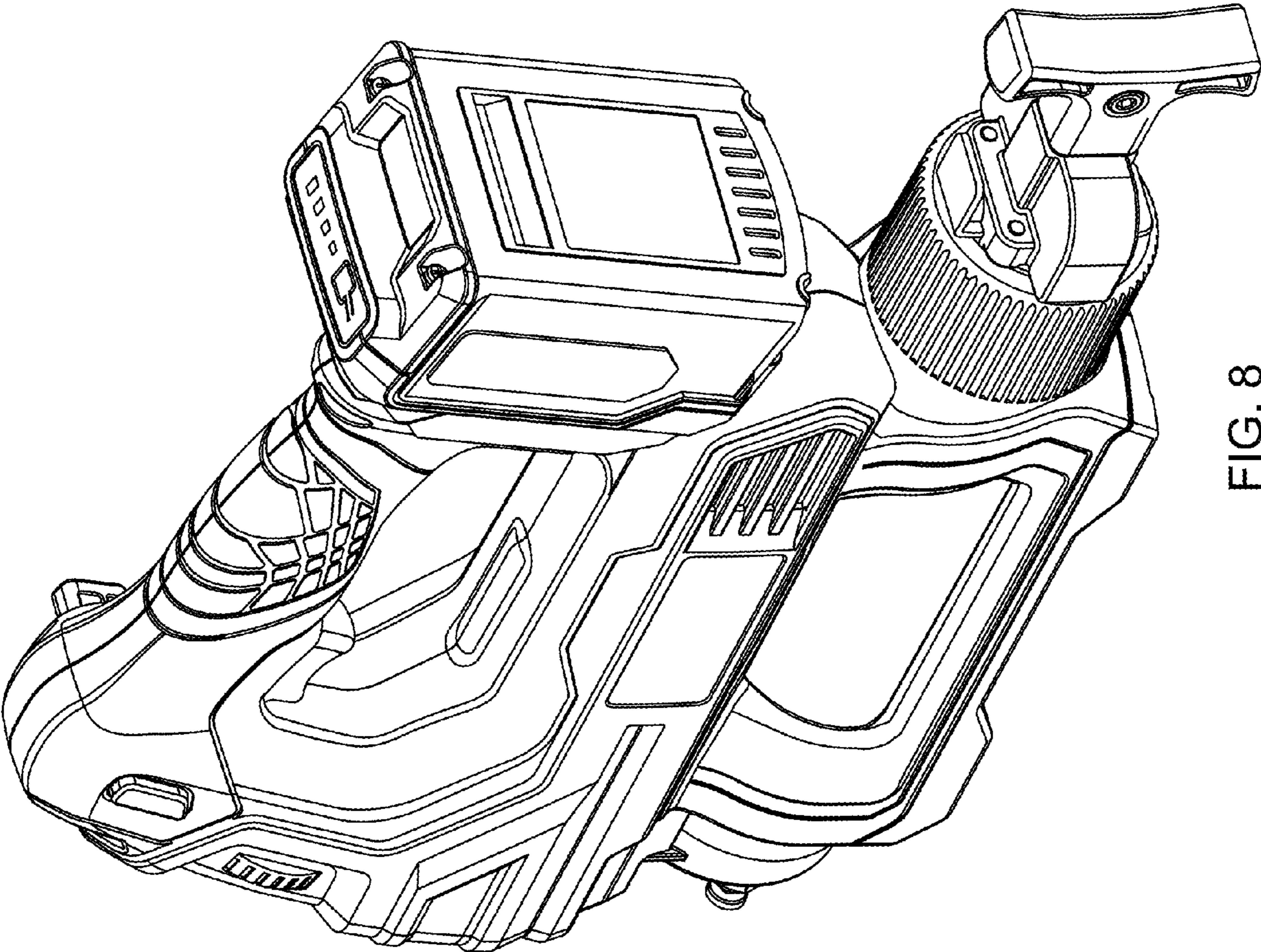


FIG. 8



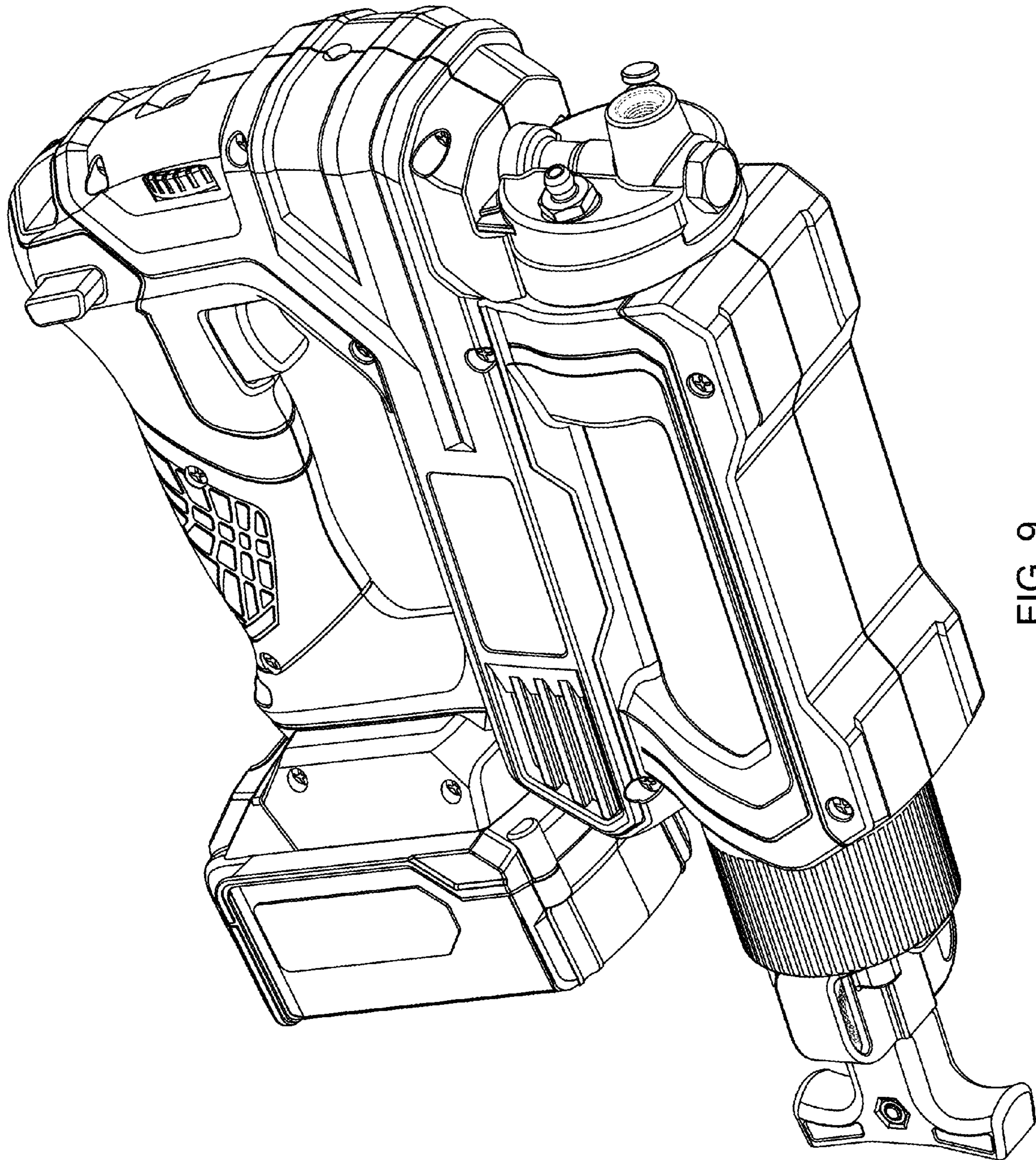


FIG. 9