



US00D953826S

(12) **United States Design Patent**
Lecoq et al.

(10) **Patent No.:** **US D953,826 S**
(45) **Date of Patent:** **** Jun. 7, 2022**

(54) **END PIECE FOR A NEEDLE INTENDED TO BE PUSHED INTO A SHEATH OCCUPIED BY CABLES**

(71) Applicant: **Orange**, Issy-les-Moulineaux (FR)

(72) Inventors: **Daniel Lecoq**, Berhet (FR); **Jean-Luc Champion**, Saint Quay Perros (FR); **Francoise Lissillour**, Tregastel (FR)

(73) Assignee: **ORANGE**, Issy-les-Moulineaux (FR)

(**) Term: **15 Years**

(21) Appl. No.: **29/752,607**

(22) Filed: **Sep. 28, 2020**

Related U.S. Application Data

(63) Continuation of application No. 15/536,327, filed on Jun. 15, 2017, now abandoned.

(51) **LOC (13) Cl.** **08-05**

(52) **U.S. Cl.**
USPC **D8/14**

(58) **Field of Classification Search**
USPC D8/14, 52, 478, 356, 367; D3/28; D28/133, 135, 141

(Continued)

(56) **References Cited**

U.S. PATENT DOCUMENTS

3,102,715 A * 9/1963 Weitzel H02G 1/083
254/134.3 FT

5,052,660 A 10/1991 Bergman
(Continued)

FOREIGN PATENT DOCUMENTS

DE 4202310 A1 7/1993
EP 2557644 A2 2/2013
FR 2752952 A1 3/1998

OTHER PUBLICATIONS

International Search Report dated Mar. 10, 2016 for corresponding International Application No. PCT/FR2015/053422, filed Dec. 10, 2015.

(Continued)

Primary Examiner — Philip S Hyder
(74) *Attorney, Agent, or Firm* — David D. Brush; Westman, Champlin & Koehler, P.A.

(57) **CLAIM**

The ornamental design for an end piece for a needle intended to be pushed into a sheath occupied by cables, as shown and described.

DESCRIPTION

FIG. 1 is a front perspective view of an end piece for a needle intended to be pushed into a sheath occupied by cables.

FIG. 2 is a front view of the end piece.

FIG. 3 is a back view of the end piece.

FIG. 4 is a left side view of the end piece.

FIG. 5 is a right side view of the end piece.

FIG. 6 is a top view of the end piece.

FIG. 7 is a bottom view of the end piece.

FIG. 8 is a front perspective view of an end piece for a needle intended to be pushed into a sheath occupied by cables.

FIG. 9 is a front view of the end piece of FIG. 8.

FIG. 10 is a back view of the end piece of FIG. 8.

FIG. 11 is a left side view of the end piece of FIG. 8.

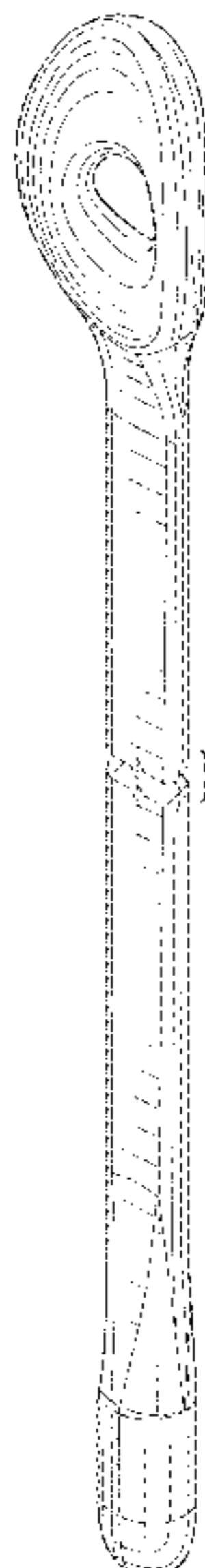
FIG. 12 is a right side view of the end piece of FIG. 8.

FIG. 13 is a top view of the end piece of FIG. 8; and,

FIG. 14 is a bottom view of the end piece of FIG. 8.

The broken lines in the drawings illustrate portions of the environmental structure that form no part of the claimed design.

1 Claim, 8 Drawing Sheets



(58) **Field of Classification Search**
 CPC . H02G 1/08; H02G 1/085; G02B 6/44; G02B
 6/52; E21B 31/125; E21B 31/12; Y10T
 29/53283; Y10T 29/53909
 See application file for complete search history.

9,887,521 B2 * 2/2018 Betcher H02G 1/085
 2009/0238534 A1 9/2009 Ahmed
 2010/0072440 A1 * 3/2010 Wright H02G 1/081
 254/134.3 R
 2011/0125756 A1 * 5/2011 Spence G06F 9/453
 707/740
 2014/0208585 A1 * 7/2014 Betcher H02G 1/085
 29/748

(56) **References Cited**

U.S. PATENT DOCUMENTS

5,915,770 A 6/1999 Bergstrom
 6,519,814 B1 2/2003 Mereness
 6,540,208 B1 4/2003 Pecot et al.
 6,698,979 B1 * 3/2004 Ambrose G02B 6/504
 37/367
 6,802,494 B1 * 10/2004 Fischer H02G 1/085
 254/134.3 R
 8,275,227 B2 9/2012 Thurlow et al.
 8,651,459 B2 2/2014 Axon et al.
 D727,707 S * 4/2015 Rose D8/70
 9,027,908 B1 5/2015 Calhoun et al.
 D744,309 S * 12/2015 Rose D8/70
 9,252,573 B2 2/2016 Haslacher
 9,429,730 B2 8/2016 Abbiati et al.
 D767,371 S * 9/2016 Matsuo D8/356
 9,780,540 B2 10/2017 Griffioen

OTHER PUBLICATIONS

Written Opinion of the International Searching Authority dated Mar.
 10, 2016 for corresponding International Application No. PCT/
 FR2015/053422, filed Dec. 10, 2015.
 English Translation of the Written Opinion of the International
 Searching Authority dated Mar. 23, 2016 for corresponding Inter-
 national Application No. PCT/FR2015/053422, filed Dec. 10, 2015.
 Electrical and Telecommunications Ducting and Conduit iPlex
 Pipelines Brochure, 2013 PDF.
 FR 2852952 A1 USPTO English Translation from Translations
 Service Center, Steven M. Spar.
 EP 2557644 A2 English Translation Provided by EspaceNet.
 DE 4202310 A1 English Translation Provided by EspaceNet.

* cited by examiner

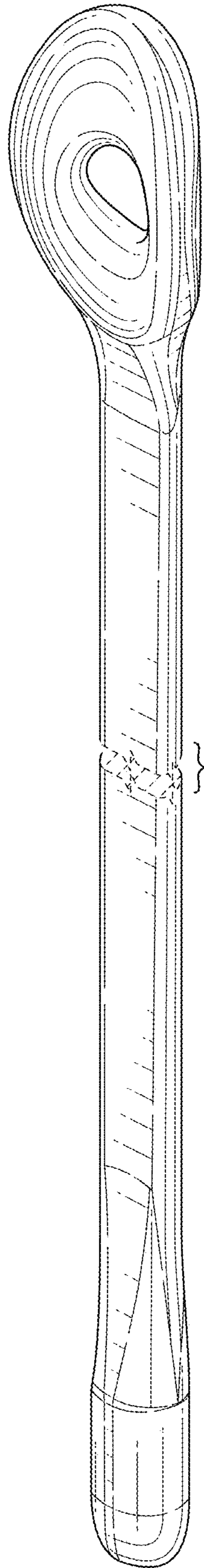


FIG. 1

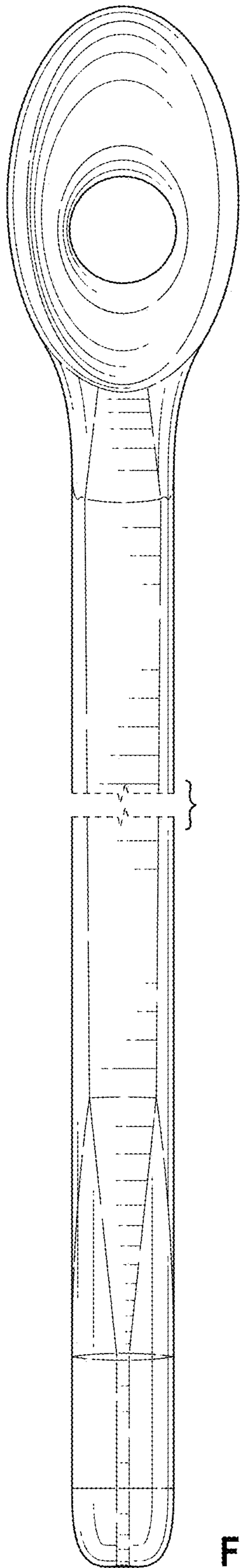


FIG. 2

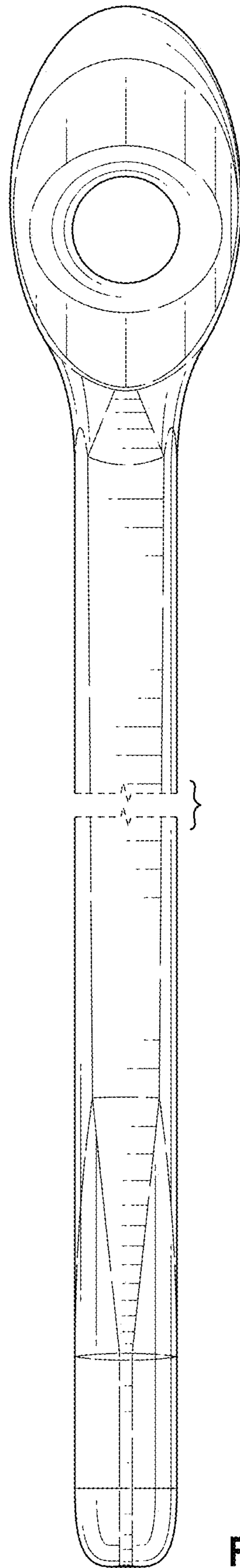


FIG. 3

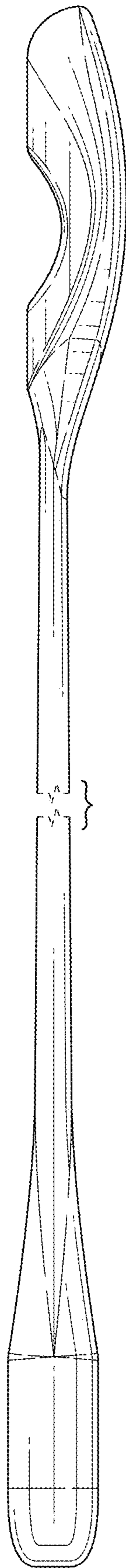


FIG. 4

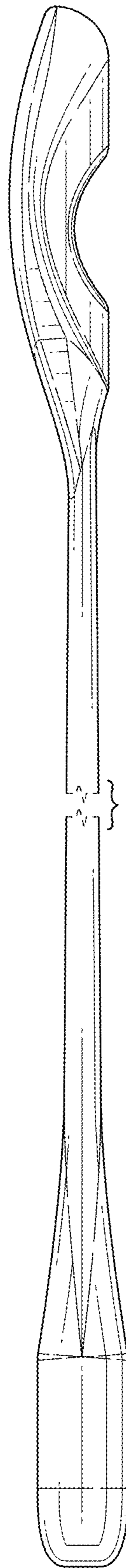


FIG. 5

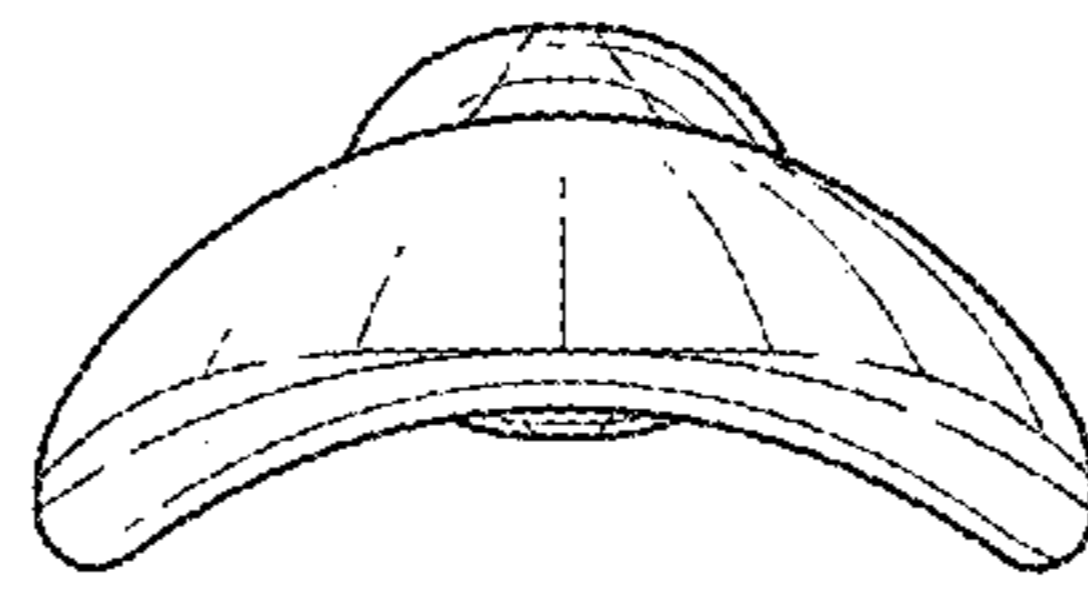


FIG. 6

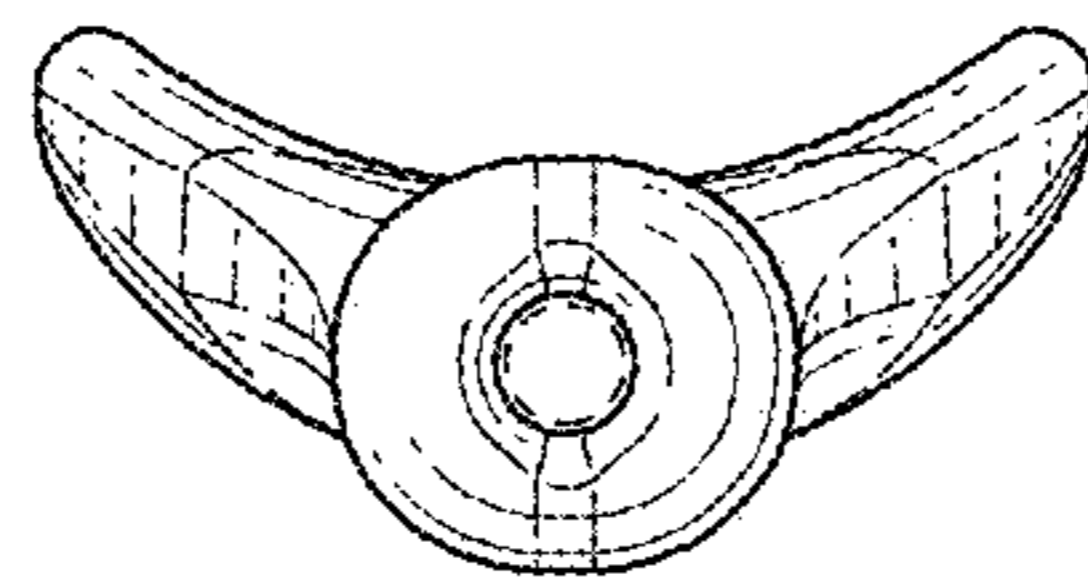


FIG. 7

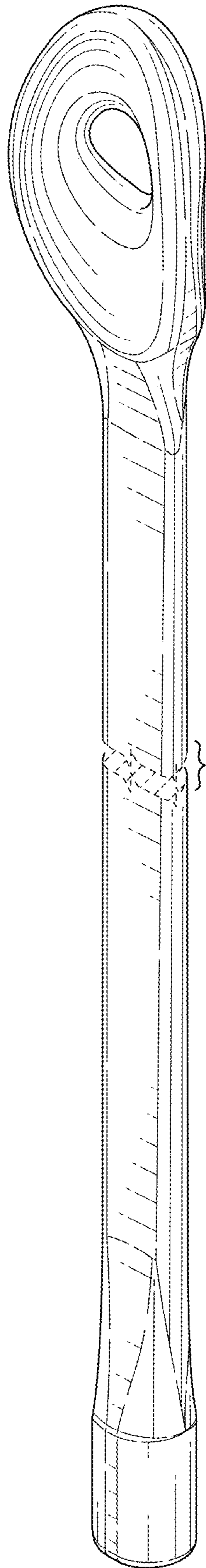


FIG. 8

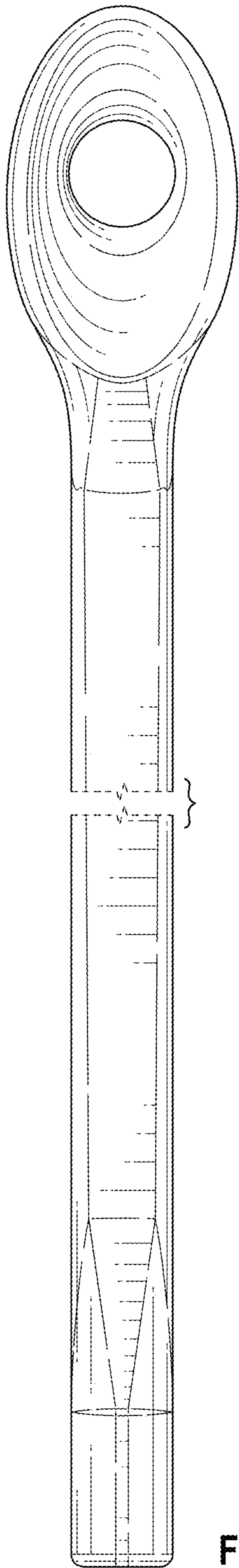


FIG. 9

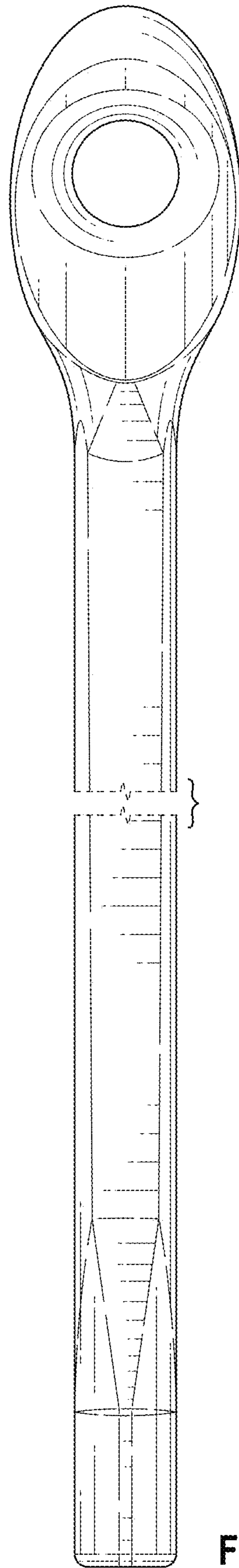


FIG. 10

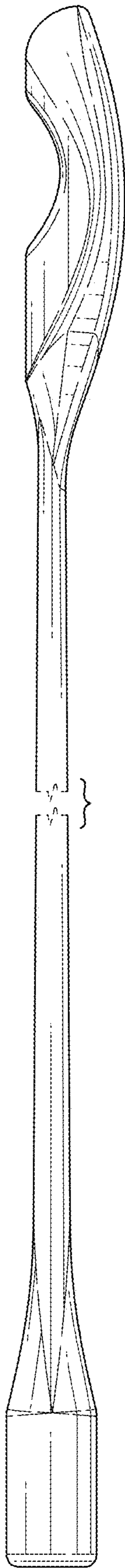


FIG. 11

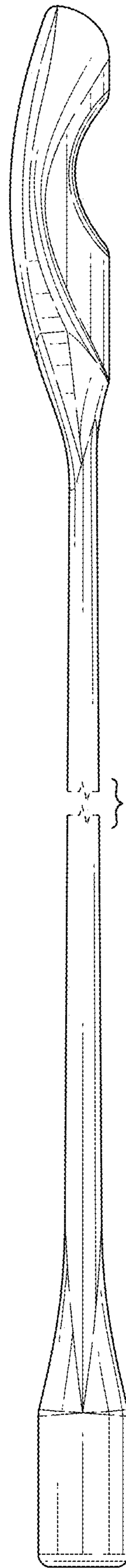


FIG. 12

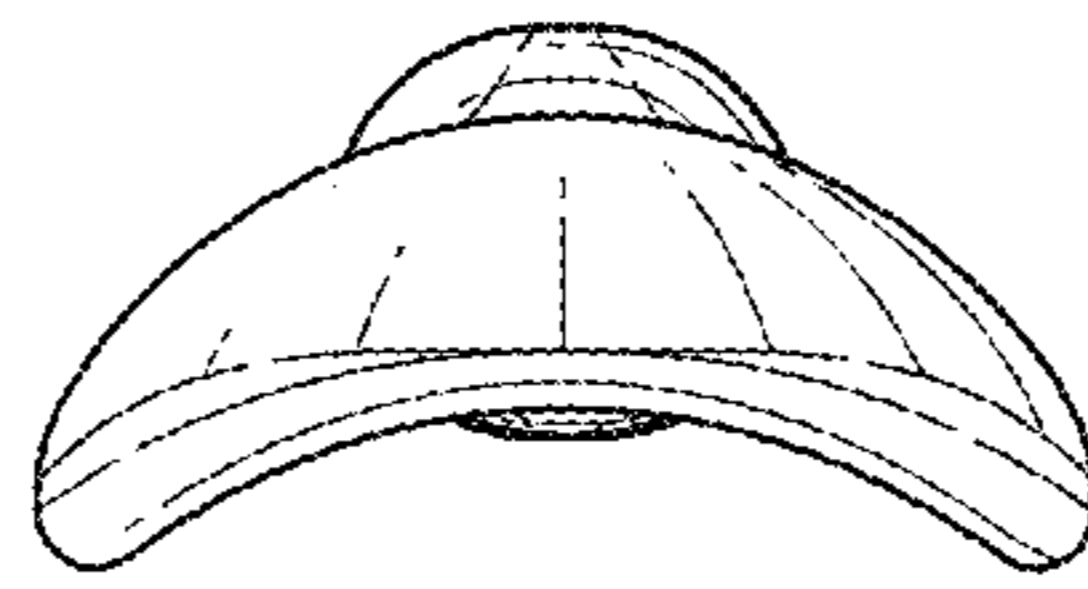


FIG. 13

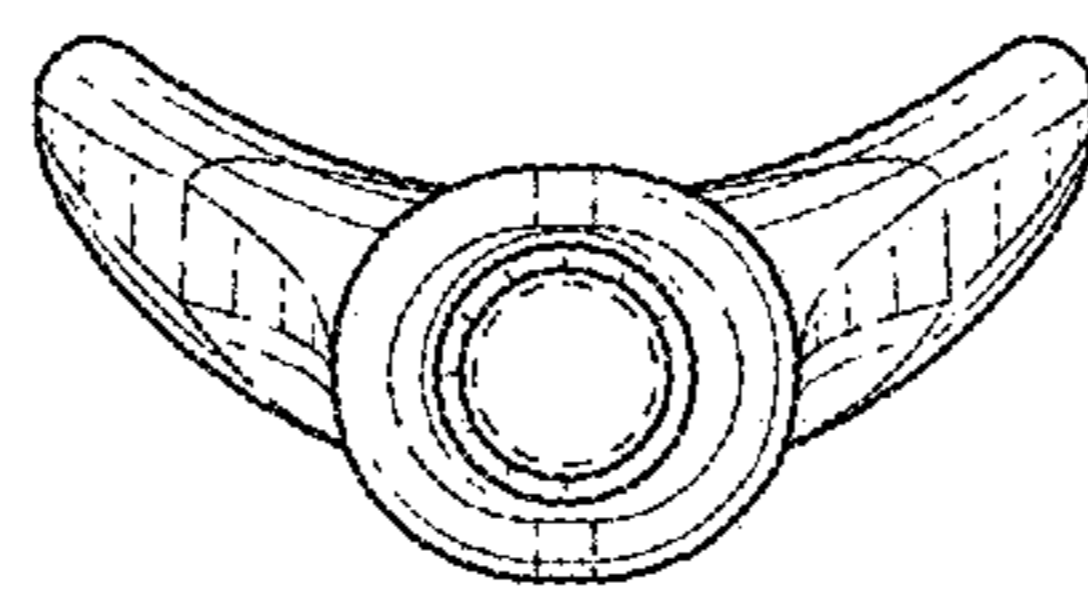


FIG. 14