



US00D953824S

(12) **United States Design Patent**
McGee

(10) **Patent No.:** **US D953,824 S**
(45) **Date of Patent:** **** Jun. 7, 2022**

- (54) **SEAFOOD EXTRACTION TOOL**
- (71) Applicant: **JIMMY PICKS LLC**, Kingston, MA (US)
- (72) Inventor: **James Patrick McGee**, Cohasset, MA (US)
- (73) Assignee: **JIMMY PICKS LLC**, Kingston, MA (US)
- (**) Term: **15 Years**
- (21) Appl. No.: **29/733,023**
- (22) Filed: **Apr. 29, 2020**
- (51) **LOC (13) Cl.** **07-04**
- (52) **U.S. Cl.**
USPC **D7/693**
- (58) **Field of Classification Search**
USPC D7/368, 669, 393, 395, 680–696; D3/18, D3/28; D8/370; D24/108, 180, 214
CPC .. A47J 37/0694; A47J 37/041; A47J 37/0786; A47J 37/04; A47J 37/049; A47J 43/18; A47J 43/00; A47J 43/28; A47J 43/283; A47J 23/00; A47J 25/00; A47G 21/023; A47G 21/06; A47G 21/02; A22C 17/02; A22C 17/006; A22C 17/00; A22C 17/0006; A22C 17/063; A22C 25/006; A22C 25/185; A22C 25/025; A22C 25/00; A22C 29/027; A01G 23/12; B26B 21/56
See application file for complete search history.

- (56) **References Cited**
U.S. PATENT DOCUMENTS
591,942 A * 10/1897 Willard A47J 25/00 30/115
967,882 A * 8/1910 Conner et al. A47J 25/00 30/316
1,220,854 A * 3/1917 Jones A47J 25/00 30/113.1

- 1,261,689 A * 4/1918 Bristle A01G 23/12 452/104
- 1,515,588 A * 11/1924 Avery A47J 23/00 30/113.1
- 1,517,600 A * 12/1924 Stock A47J 23/00 30/113.1
- 2,321,725 A * 6/1943 Alderfer A47G 21/00 99/538
- 3,860,155 A * 1/1975 Migliaccio D04G 3/02 223/104
- D269,052 S * 5/1983 Windsor D3/28
- 4,413,847 A 11/1983 Doyel
- D317,107 S * 5/1991 Grass D7/693
- 5,274,948 A * 1/1994 Harrison A01K 97/18 43/53.5

(Continued)

OTHER PUBLICATIONS

Amazon.com, Suvorna Skinpal s90 Loop Whitehead, Blackhead, Acne and Milia Remover, pp. 1-9, ASIN: B0019TM2E8, date first available May 20, 2008. (Year: 2008).*

Primary Examiner — Terry A Wallace
(74) *Attorney, Agent, or Firm* — Douglas Denninger

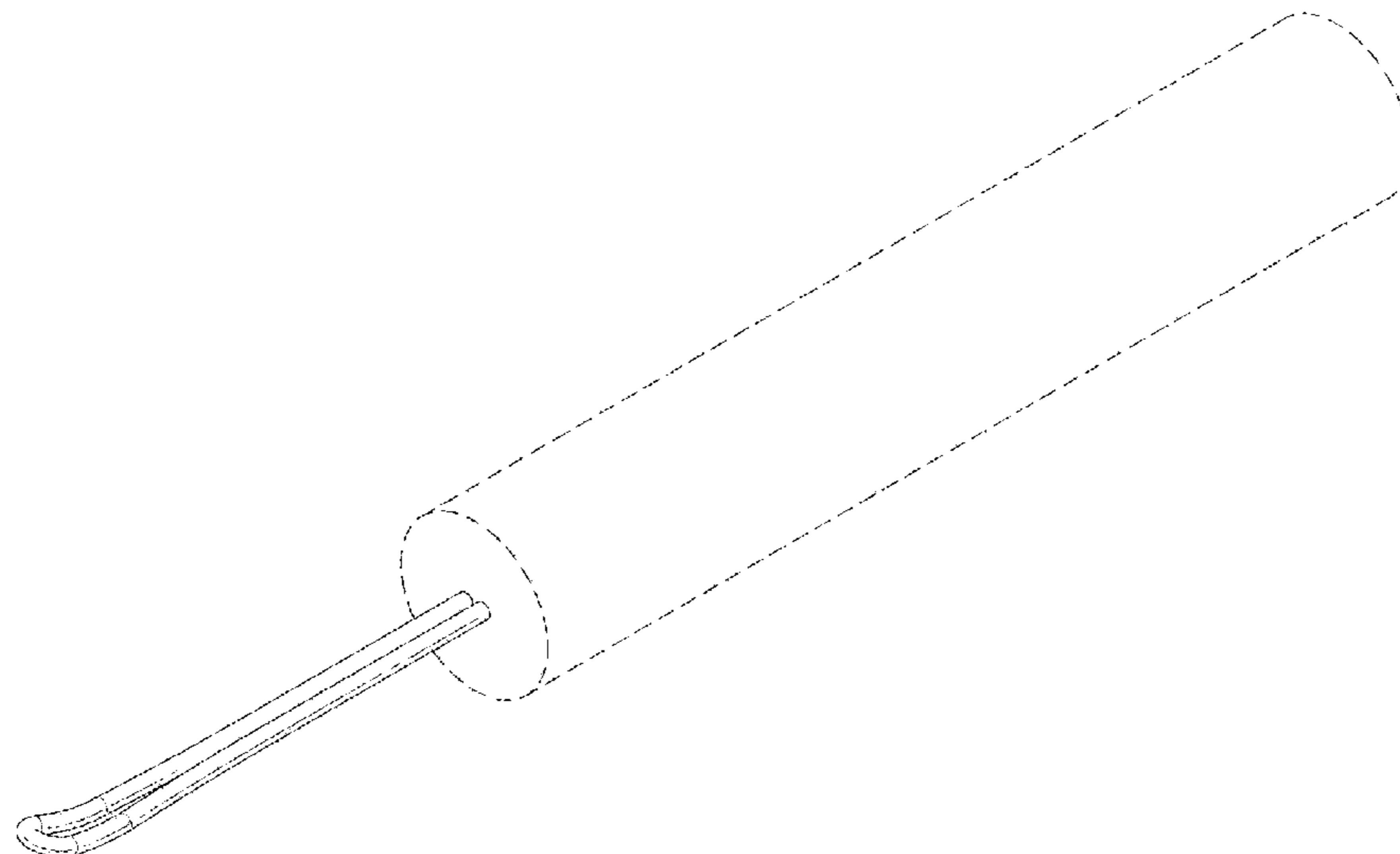
(57) **CLAIM**

I claim the ornamental design for a seafood extraction tool, as shown and described.

DESCRIPTION

FIG. 1 is a perspective left-side upper view of the seafood extraction tool showing our novel design; FIG. 2 is a perspective right-side lower view thereof; FIGS. 3 and 4 are front and rear elevation views thereof, respectively; FIG. 5 is a right-side elevation view thereof, with the left-side elevation view being a mirror image thereof; FIG. 6 is a top plan view thereof; and, FIG. 7 is bottom plan view thereof. The broken lines shown represent unclaimed subject matter and form no part of the claimed design.

1 Claim, 3 Drawing Sheets



(56)

References Cited

U.S. PATENT DOCUMENTS

6,036,596	A	3/2000	Lay	
6,935,941	B1 *	8/2005	Muehlenbeck A22C 25/006 452/103
D793,182	S *	8/2017	Meguess D7/693
D815,927	S	4/2018	Kimsey	
2015/0030740	A1 *	1/2015	Wright B26B 27/002 30/113.1

* cited by examiner

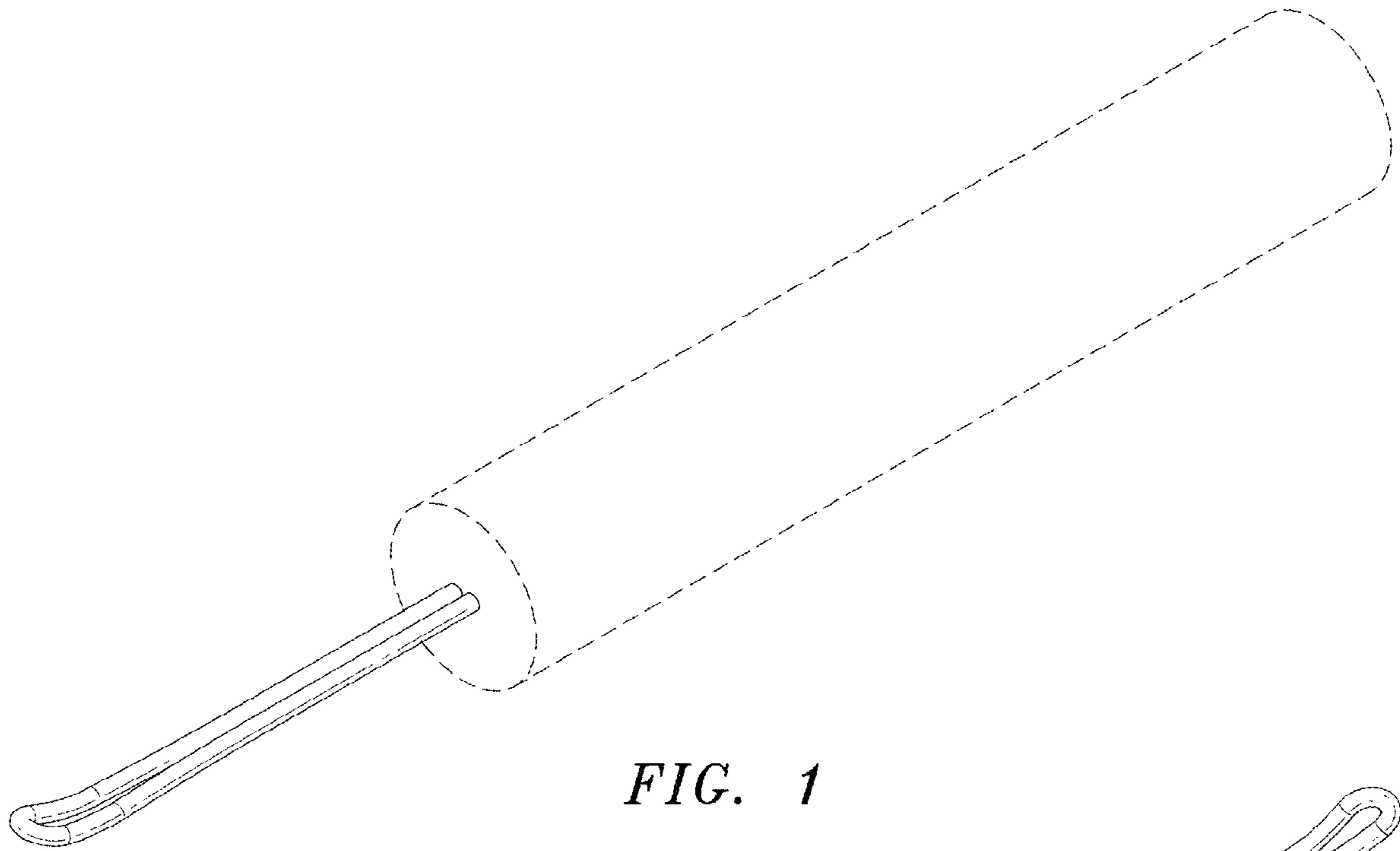


FIG. 1

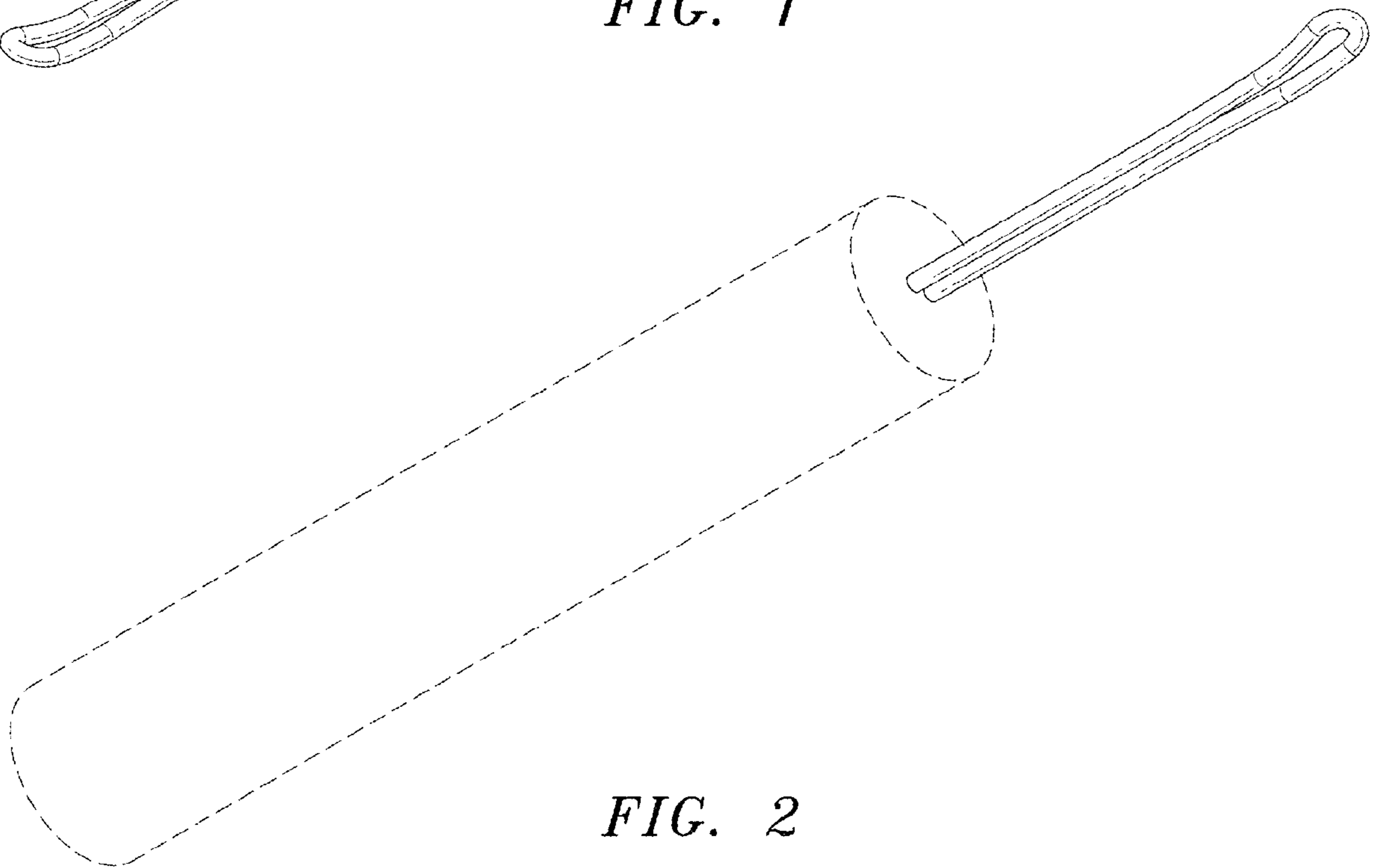


FIG. 2

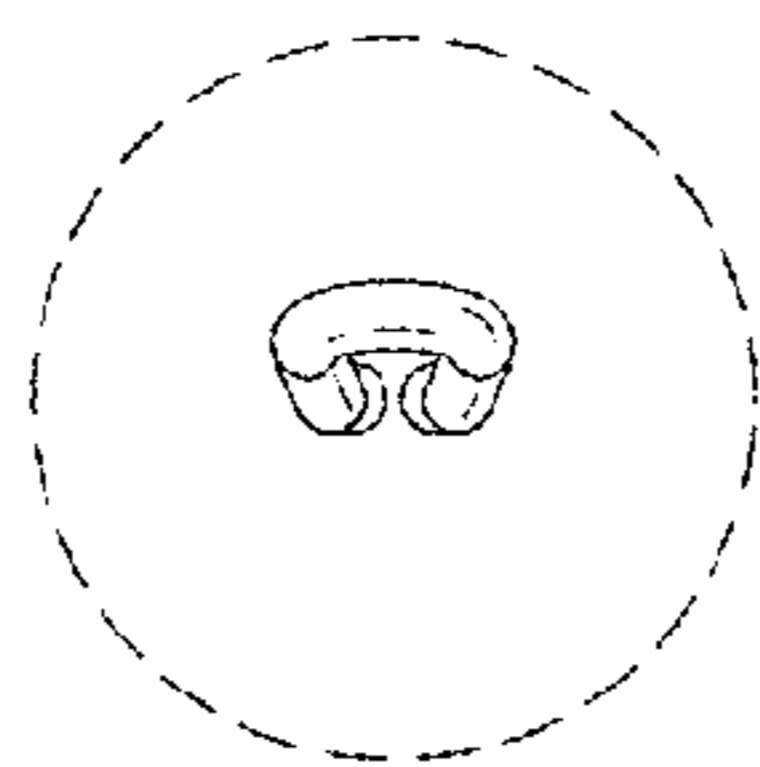


FIG. 3

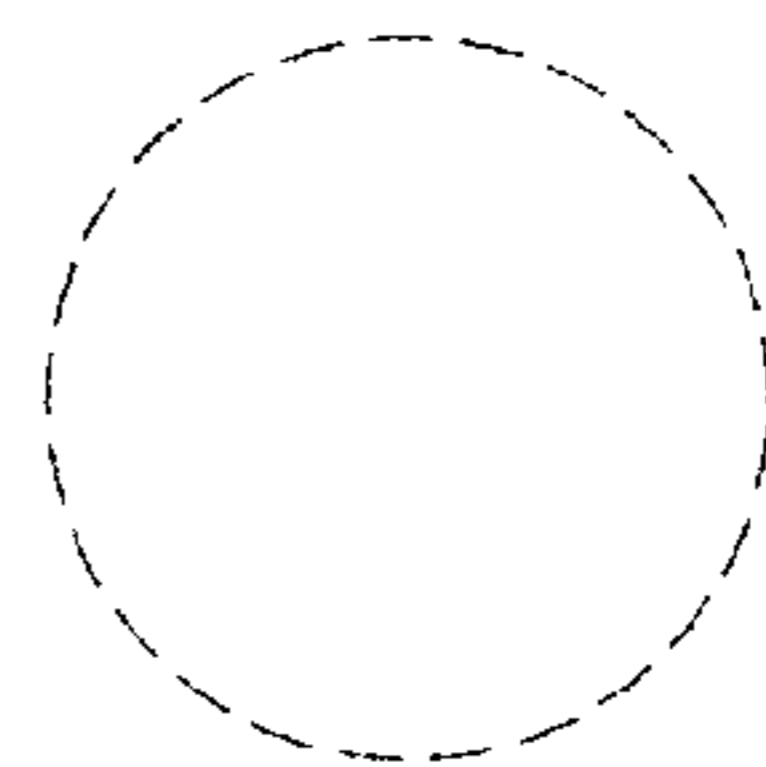


FIG. 4

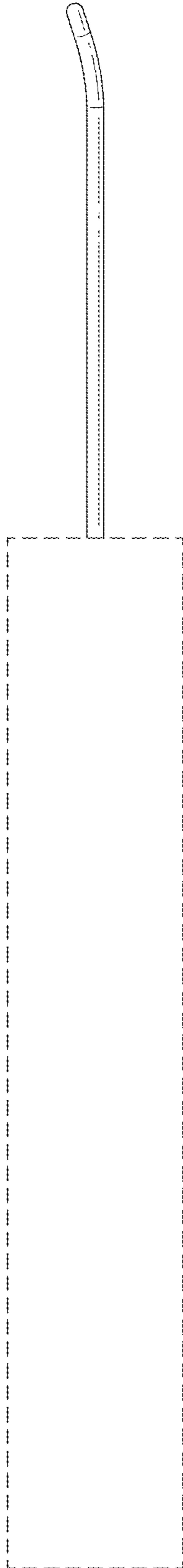


FIG. 5

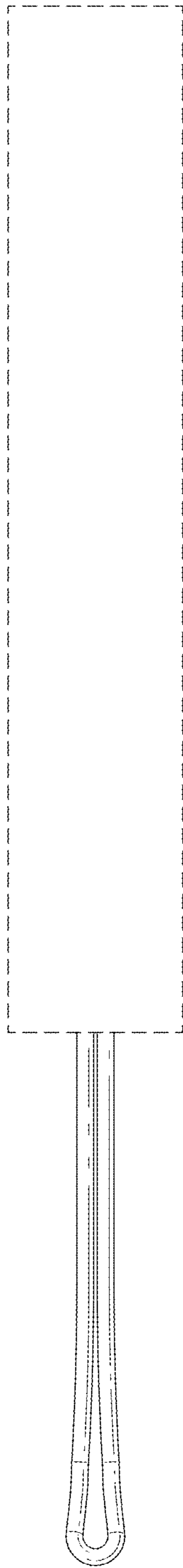


FIG. 6

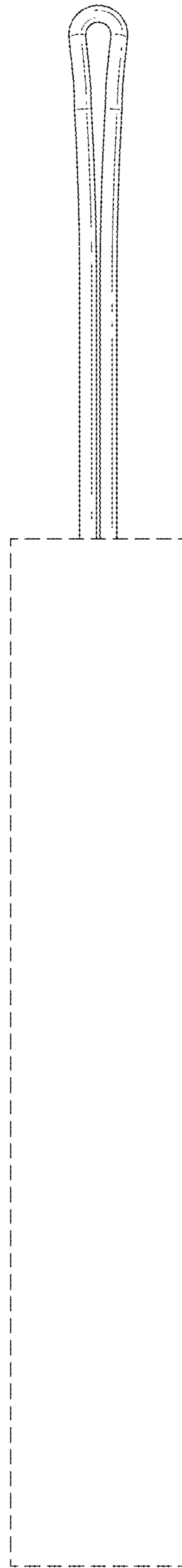


FIG. 7