



US00D953821S

(12) **United States Design Patent** (10) **Patent No.:** **US D953,821 S**
Shang (45) **Date of Patent:** **** Jun. 7, 2022**

(54) **BAKING TOOL**

(71) Applicant: **Cui Shang**, Nanyang (CN)

(72) Inventor: **Cui Shang**, Nanyang (CN)

(**) Term: **15 Years**

(21) Appl. No.: **29/774,801**

(22) Filed: **Mar. 19, 2021**

(51) **LOC (13) Cl.** **07-04**

(52) **U.S. Cl.**
USPC **D7/667**

(58) **Field of Classification Search**
USPC D7/667, 680-696, 393, 395, 368, 669,
D7/400

CPC .. A47J 36/22; A47J 36/00; A47J 31/02; A47J
44/02; A47J 43/22; B07B 1/02; B07B
1/00; A47G 19/16

See application file for complete search history.

(56) **References Cited**

U.S. PATENT DOCUMENTS

1,067,290	A *	7/1913	Washburn et al.	A47J 31/02 99/323
1,722,946	A *	7/1929	Raffa	A47J 36/22 210/471
2,507,500	A *	5/1950	Chester	A47J 43/22 209/282
D439,799	S *	4/2001	Kwok	D7/400
D449,960	S *	11/2001	Durbin	D7/399
D565,348	S	4/2008	Tetreault et al.	
D747,937	S	1/2016	Hand et al.	
D846,958	S	4/2019	Holding et al.	
D851,469	S	6/2019	Holding et al.	
D899,201	S	10/2020	Stefani et al.	
2014/0097128	A1 *	4/2014	Yu	A47J 43/22 209/370
2015/0020690	A1 *	1/2015	Vernon	A47G 19/16 99/323

OTHER PUBLICATIONS

Amazon.com, Powdered Sugar Shaker, pp. 1-10, ASIN: B08NC567F3, date first available Nov. 12, 2020. (Year: 2020).*

Amazon.com, OXO Good Grips Bakers Dusting Wand, pp. 1-11, ASIN: B00NSQF7N8, date first available Oct. 13, 2014 (Year: 2014).*

Amazon.com, Sugar Shaker Flour Sifter, pp. 1-7, ASIN: B08XQ6GHPL, date first available Mar. 1, 2021. (Year: 2021).*

Amazon.com, BOWINR Dusting Wand for Sugar, pp. 1-8, ASIN: B08P8CHJZ8, date first available Nov. 28, 2020 (Year: 2020).*

Amazon.com, JETKONG Baker's Dusting Wand for Sugar, pp. 1-10, ASIN: B08YDHXFYN, date first available Mar. 9, 2021 (Year: 2021).*

* cited by examiner

Primary Examiner — Terry A Wallace

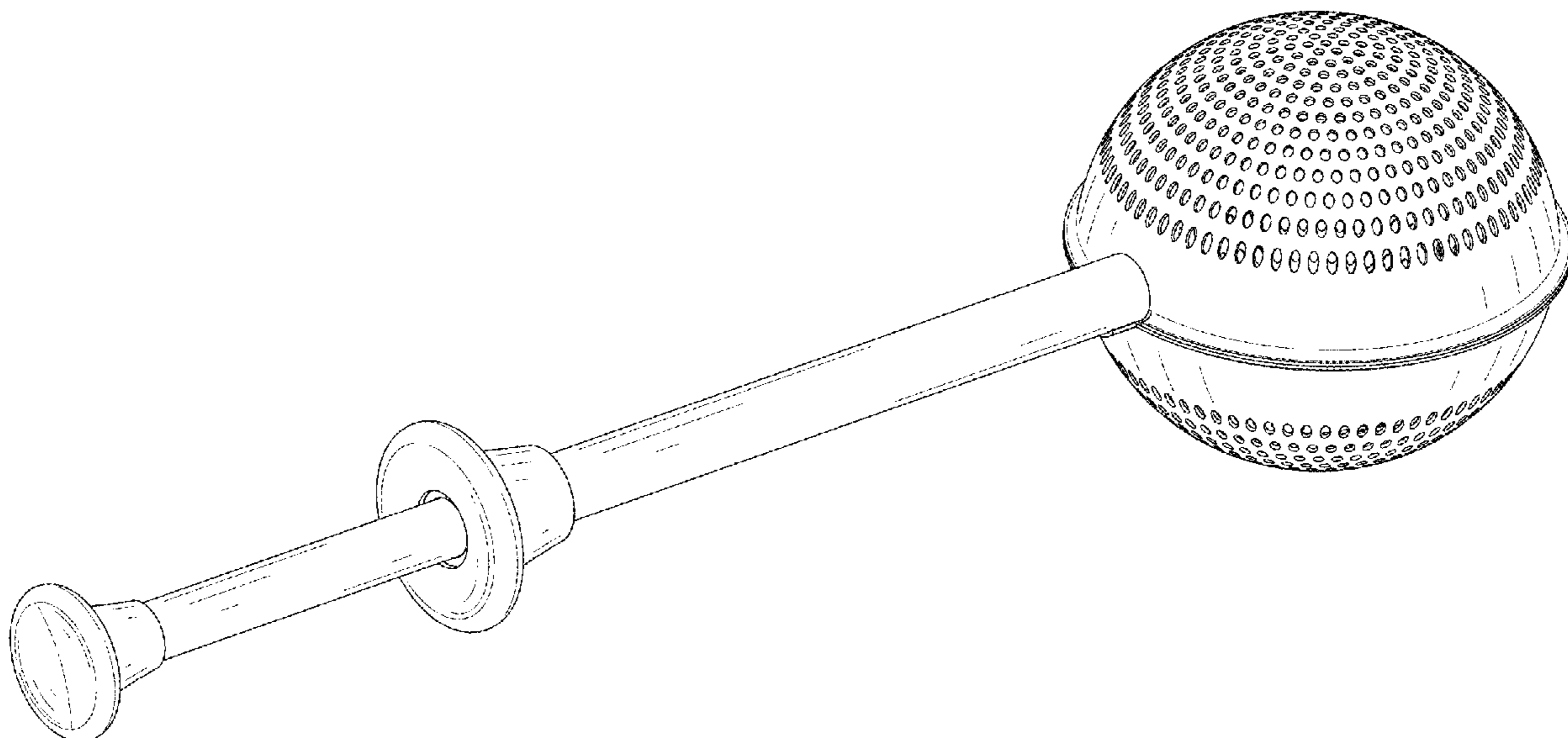
(57) **CLAIM**

The ornamental design for a baking tool, as shown and described.

DESCRIPTION

FIG. 1 is a perspective view of a baking tool showing my new design;
FIG. 2 is another perspective view thereof;
FIG. 3 is a front elevational view thereof;
FIG. 4 is a rear elevational view thereof;
FIG. 5 is a left side elevational view thereof;
FIG. 6 is a right side elevational view thereof;
FIG. 7 is a top plan view thereof;
FIG. 8 is a bottom plan view thereof; and,
FIG. 9 is a perspective view of the baking tool where the baking tool is in a configuration of use.

1 Claim, 9 Drawing Sheets



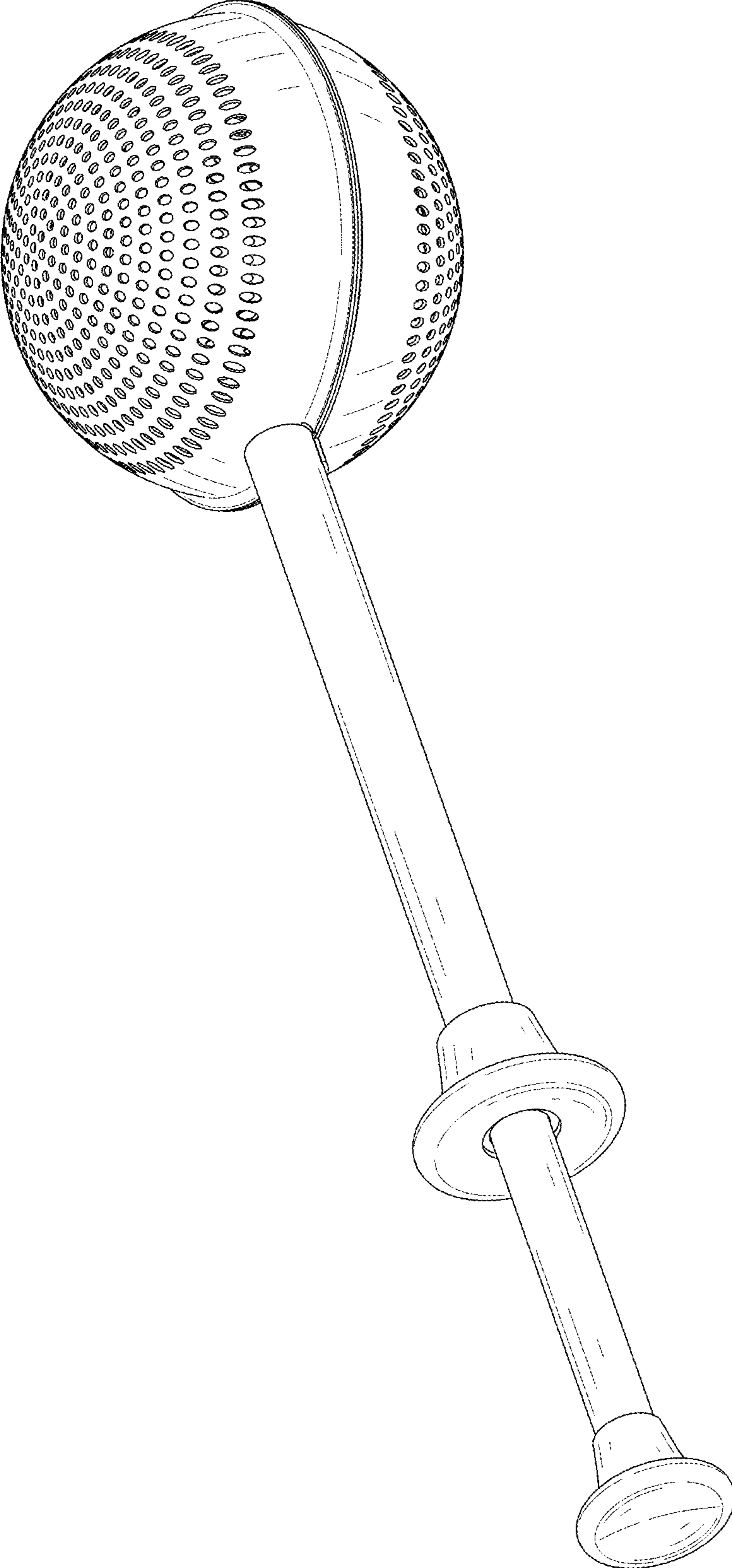


FIG. 1



FIG. 2

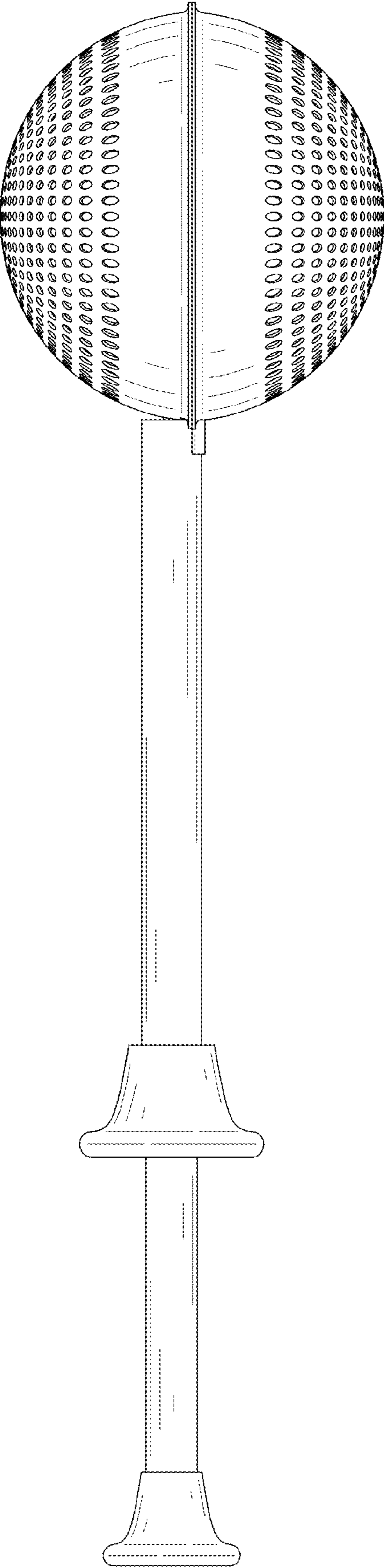


FIG. 3

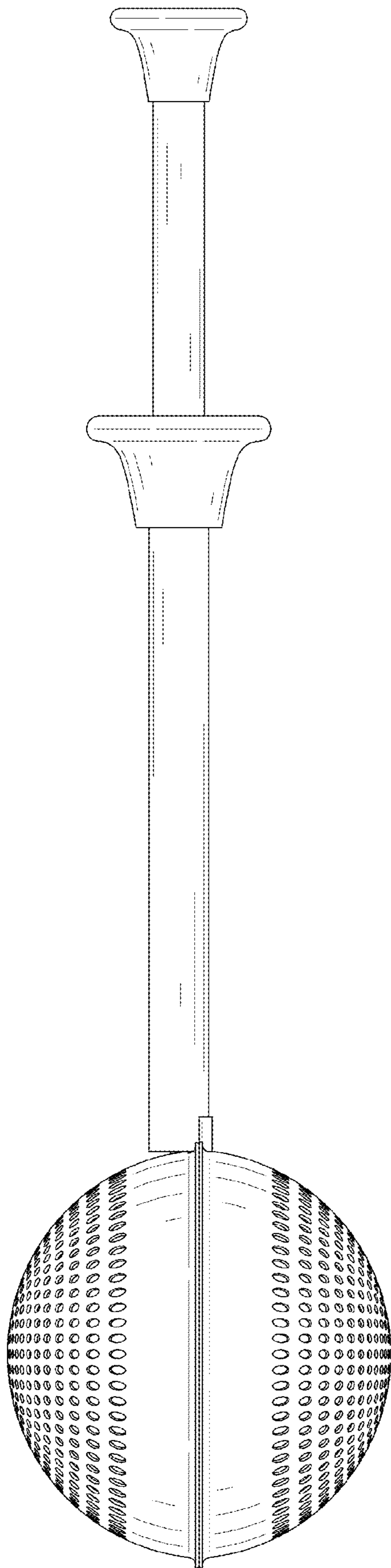


FIG. 4

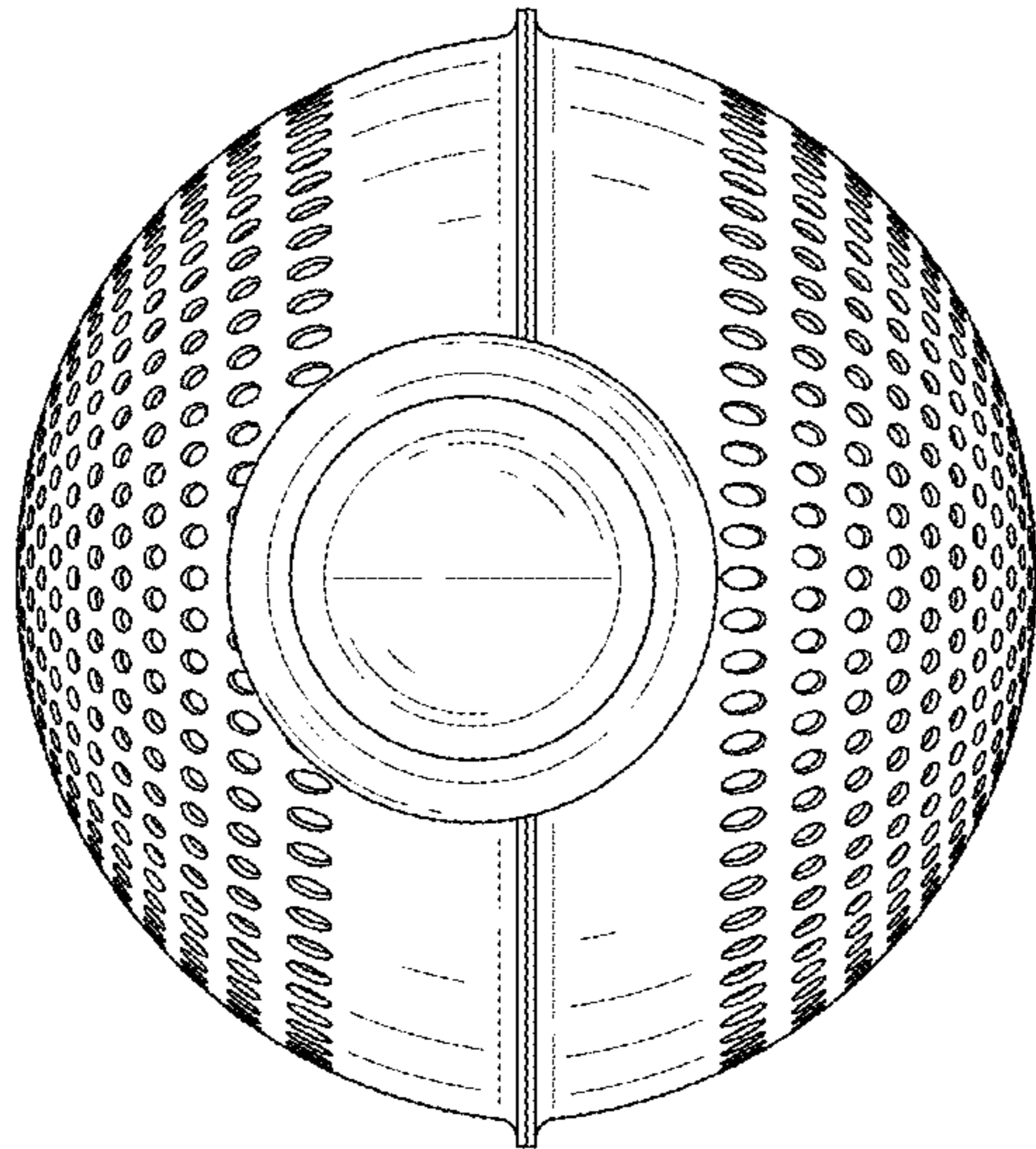


FIG. 5

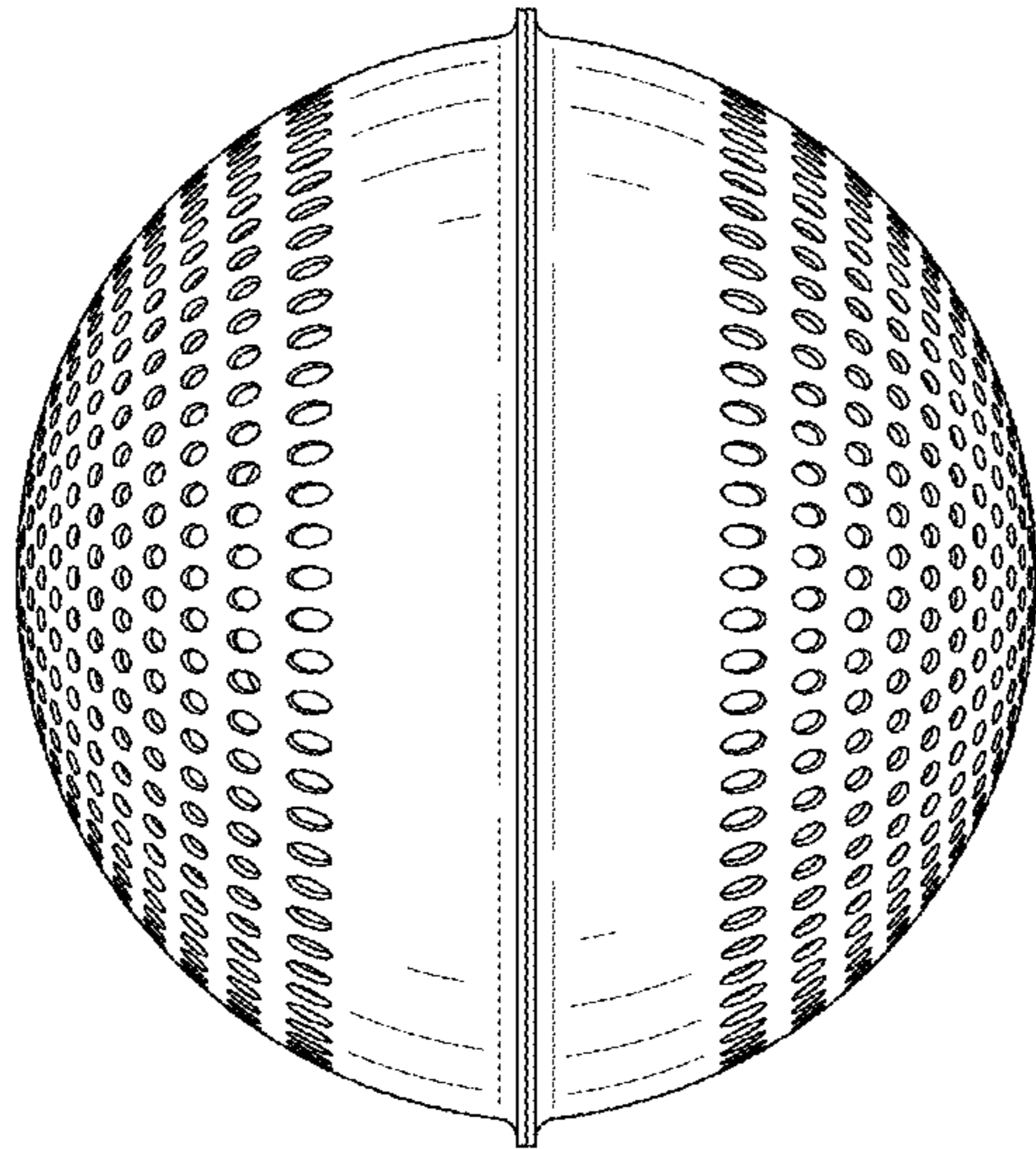


FIG. 6

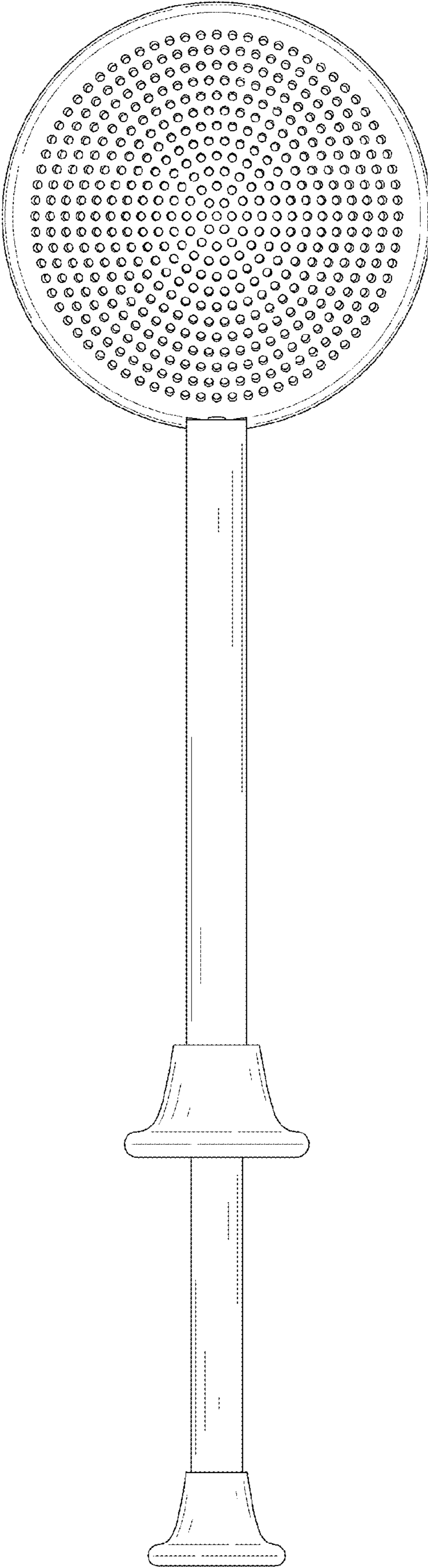


FIG. 7

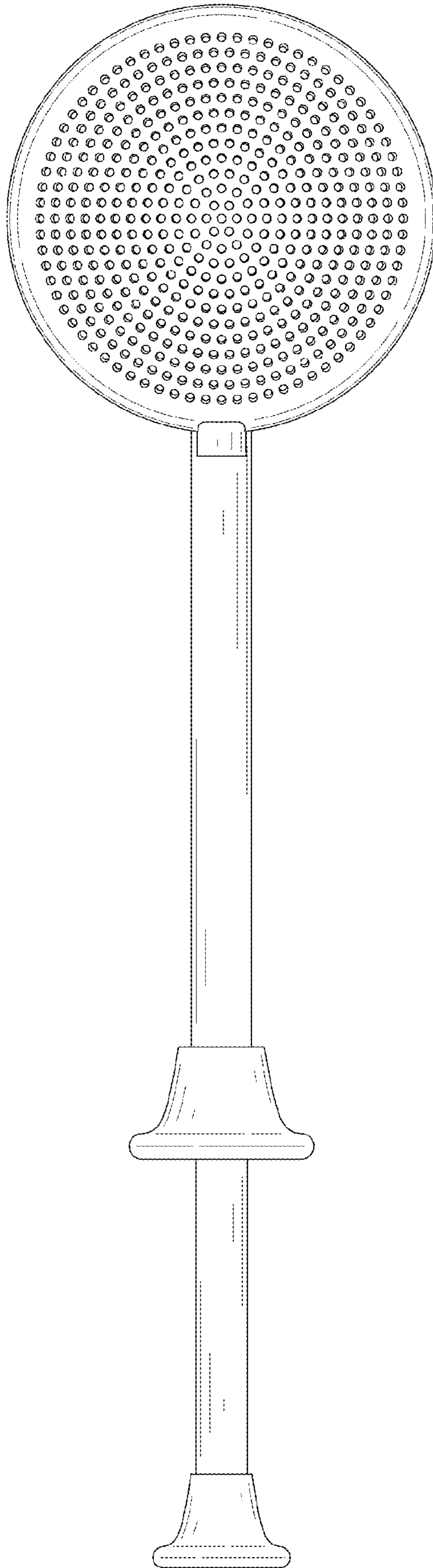


FIG. 8

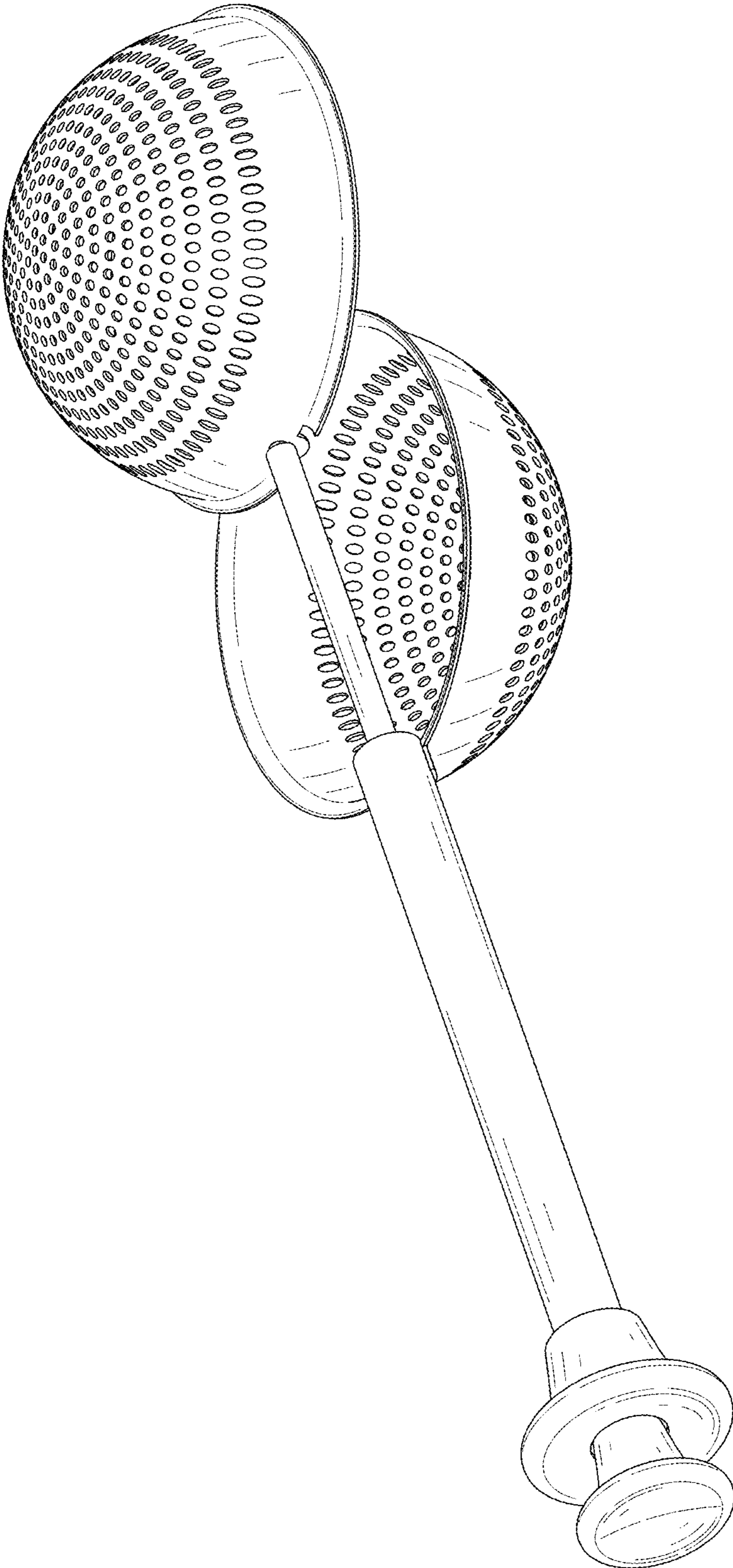


FIG. 9